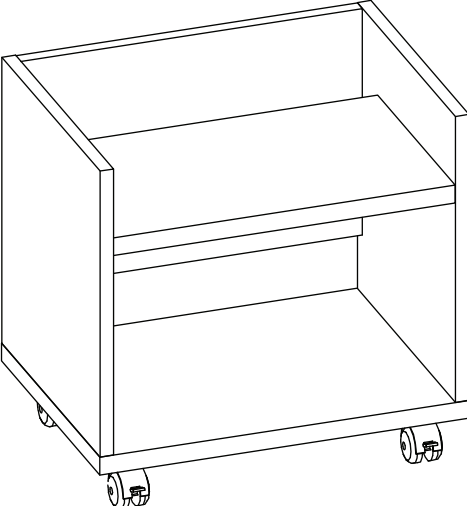


John Lewis

# ABACUS Printer trolley

Stock number: 816 / 10205



H51 W52 D40cm

Thank you for purchasing the ABACUS Printer trolley. Please read the instructions and warnings carefully before use, to ensure safe and satisfactory operation of this product.

At John Lewis, we are committed to making great products possible.

From our in-house Design Team, to our Buyers, we work together to bring great design to life.

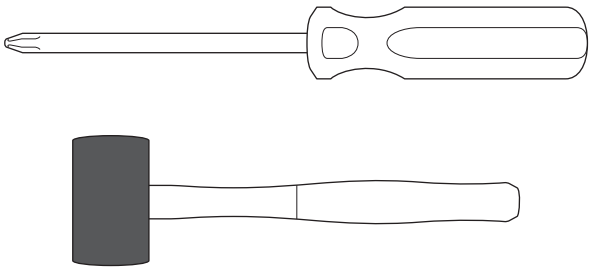
Our expert Product Technologists work collaboratively with our buyers and suppliers to assure the legality, safety and quality of the product we sell.

We are all committed to designing and developing products to the highest industry standards.

We hope you are happy with your product and welcome any feedback or comments you may have.

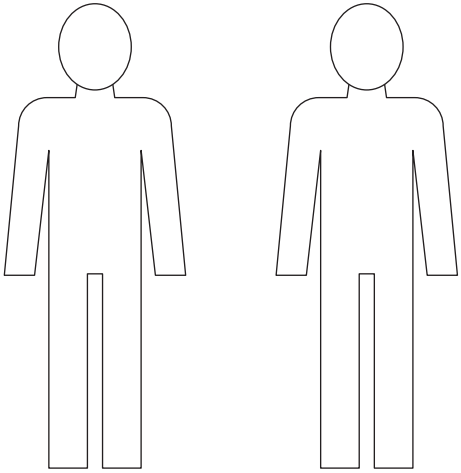
The John Lewis Team

## Tools required



**Time to assemble**  
25 Minutes

**People to assemble**



# Important safety information

## Warnings

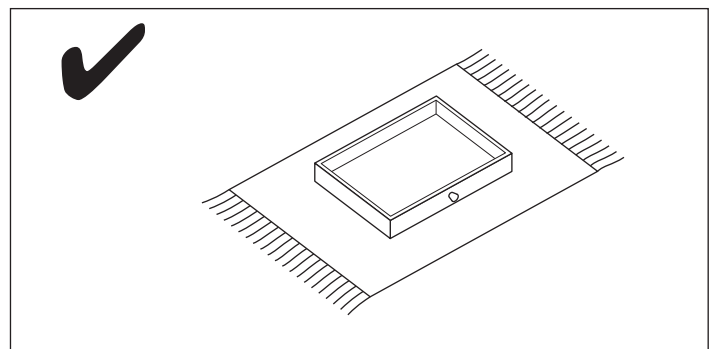
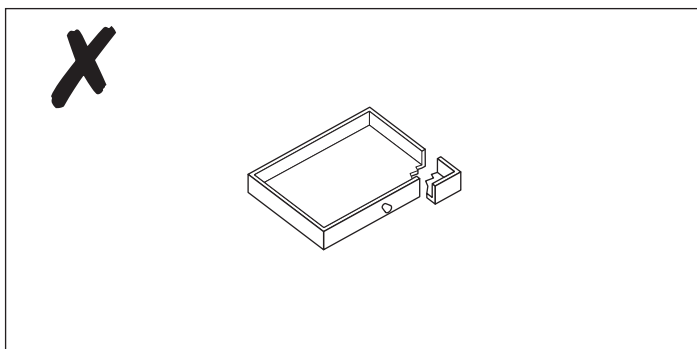
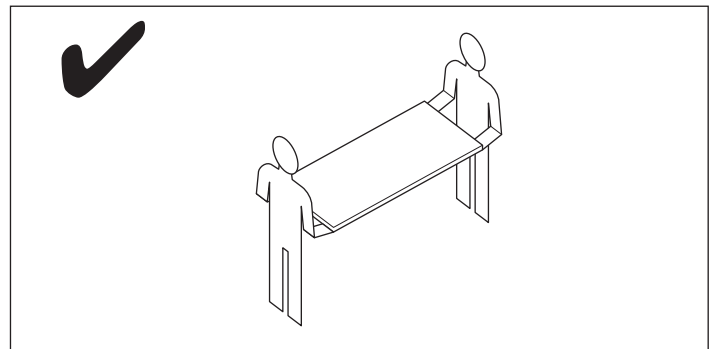
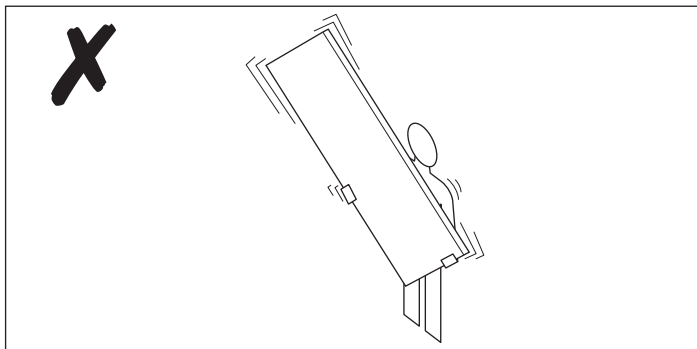
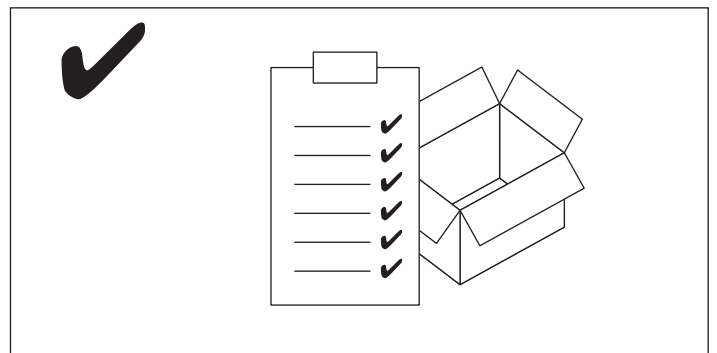
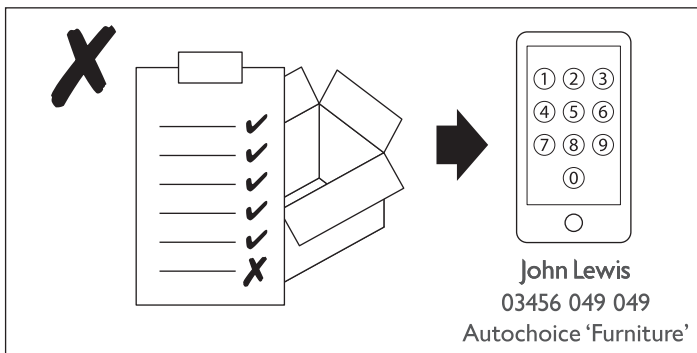
- ⚠ The product should only be used on firm, level ground.
- ⚠ Keep small parts out of reach of children .
- ⚠ Ensure the product is fully assembled as illustrated before use.

## Do's

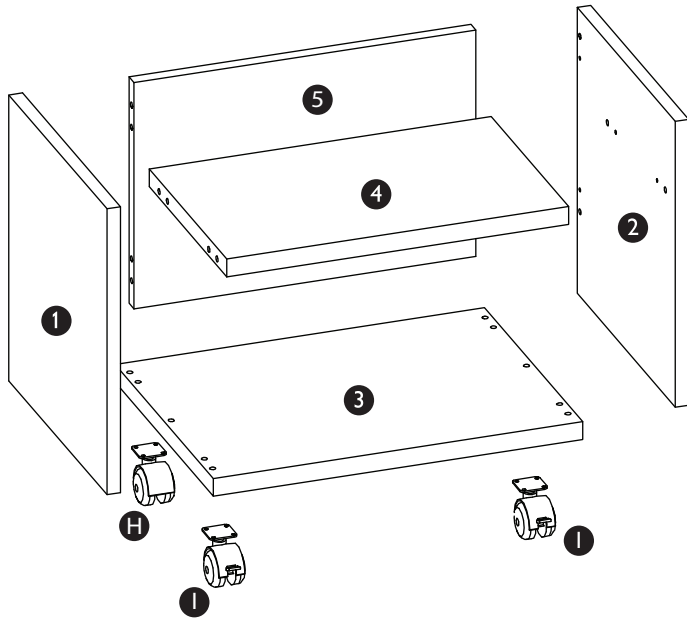
- ✓ Check the pack and make sure you have all the parts listed.
- ✓ Check all screws or bolts are tightened and inspect regularly.
- ✓ Make sure the legs remain in contact with the ground at all times.

## Don'ts

- ✗ Do not over tighten screws or bolts.
- ✗ Do not stanci on the product.
- ✗ Do not use power tools to construct as overtightening and panel failure may occur.



# Your Printer trolley



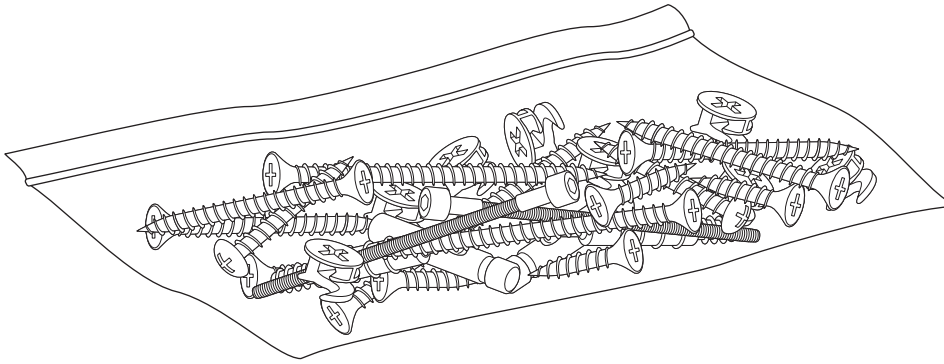
Ref	Description	Dimensions	Qty
①	Left side panel		1
②	Right side panel		1
③	Base		1
④	Shelf		1
⑤	Back panel		1

Internal dimensions

Stock number: 10205

Printer trolley overall size: H51 W52 D40 cm

# Fixtures and fittings



Fixtures and fittings supplied (actual size)

Ref	Description	Dimensions	Qty	mm
				0 10 20 30 40 50 60 70 80
<b>B</b>	Screw		4	
<b>D</b>	Dowel		14	
<b>E</b>	Camlock		8	
<b>F</b>	Connecting bolts		8	
<b>G</b>	Screw		16	

Fixtures and fittings supplied (not actual size)

Ref	Description	Dimensions	Qty	
<b>A</b>	Cover cap		4	
<b>C</b>	Allen key		1	
<b>H</b>	Castors		2	
<b>I</b>	Castors with brake		2	

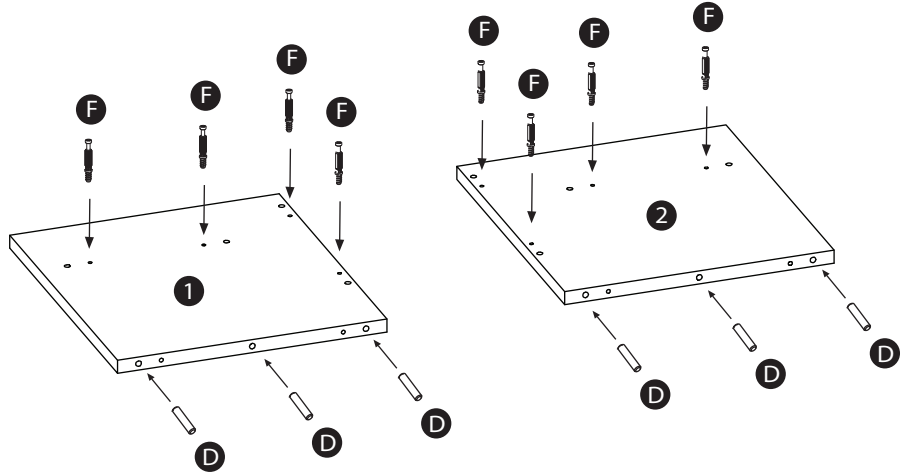
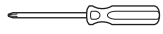
# Product assembly

ABACUS 3 Shelf Bookcase  
00202

## Step 1

Parts, fittings and tools

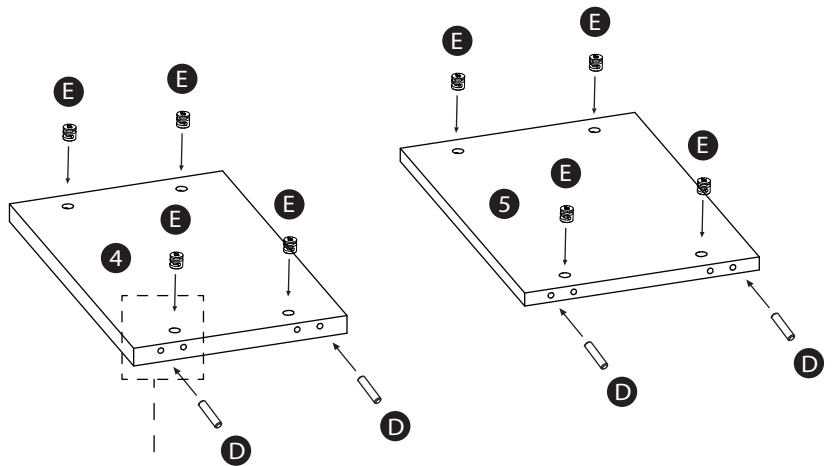
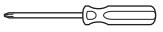
- 1
- 2
- D
- F



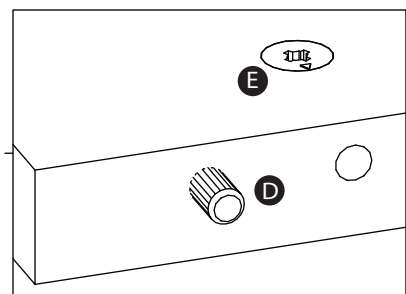
## Step 2

Parts, fittings and tools

- 4
- 5
- E
- D



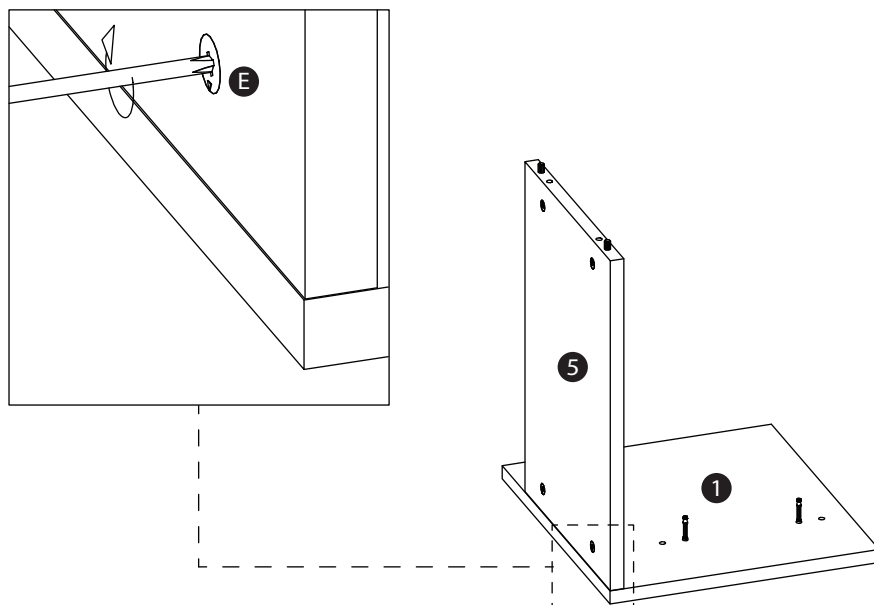
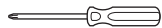
E



## Step 3

Parts, fittings and tools

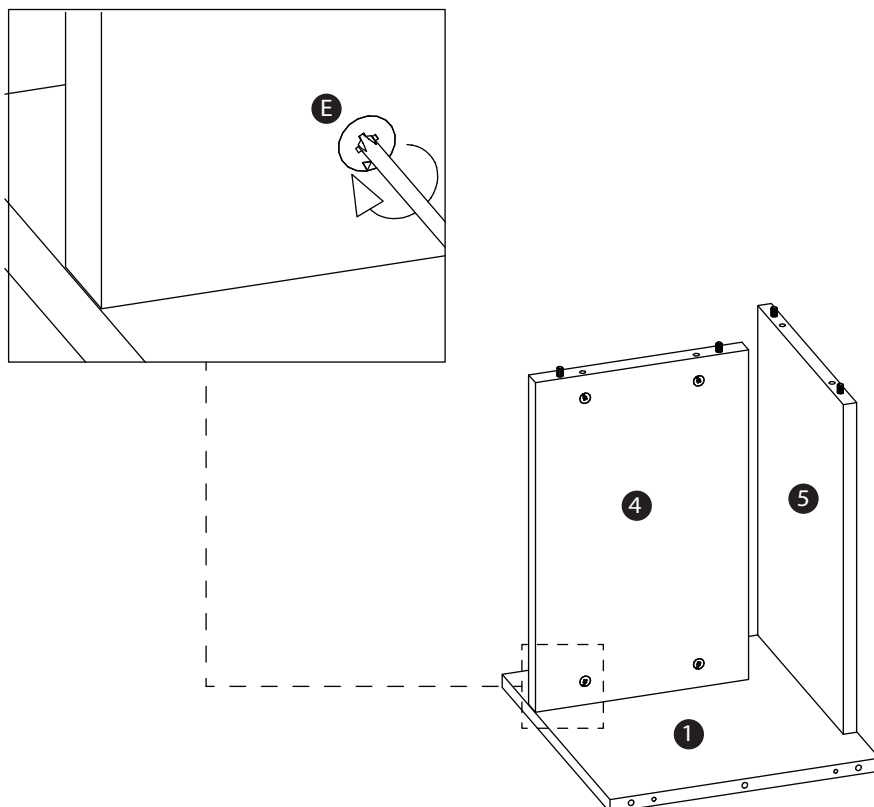
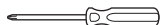
1 5 E



## Step 4

Parts, fittings and tools

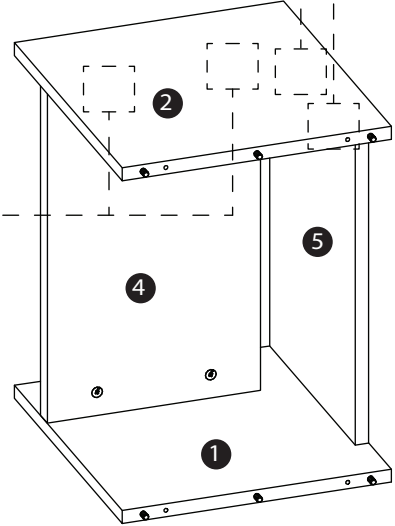
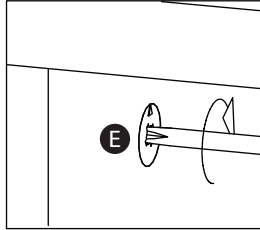
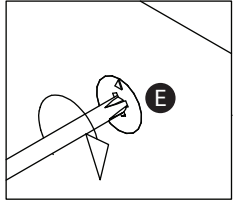
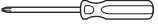
1 4 5 E



## Step 5

Parts, fittings and tools

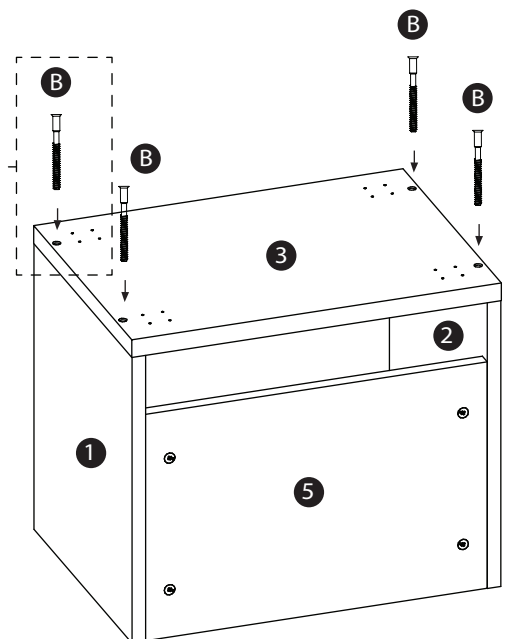
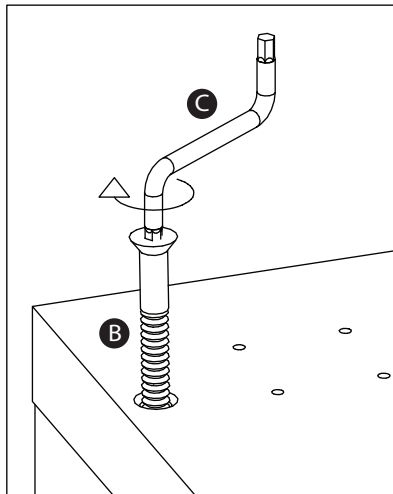
- 1 2 4 5 E



## Step 6

Parts, fittings and tools

- 1 2 3 B C



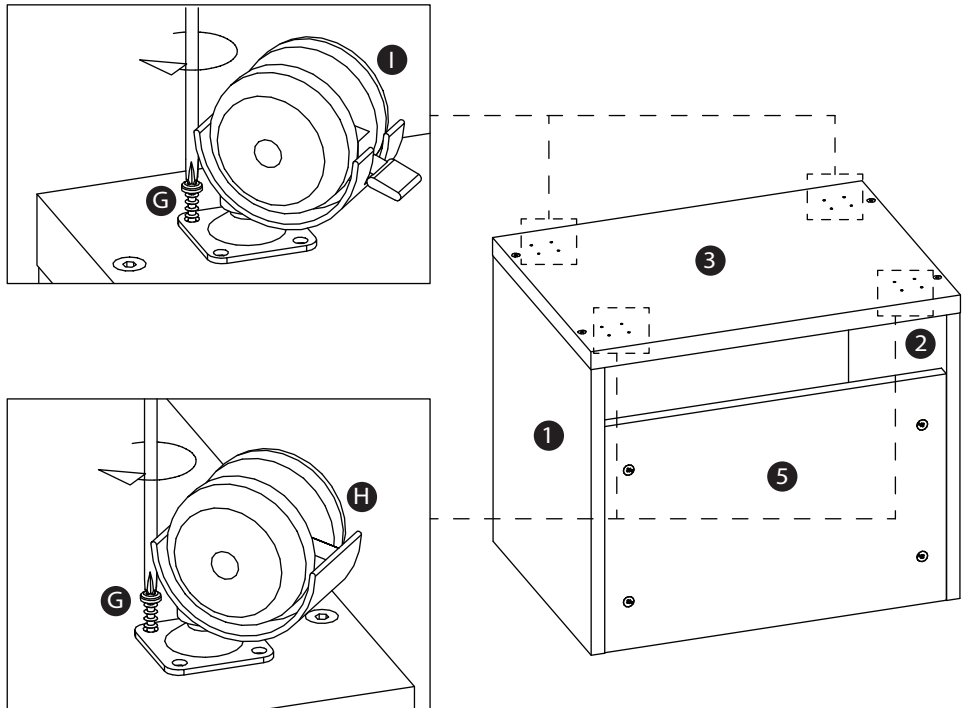
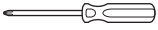


## Step 7

Parts, fittings and tools

1 2 3 5

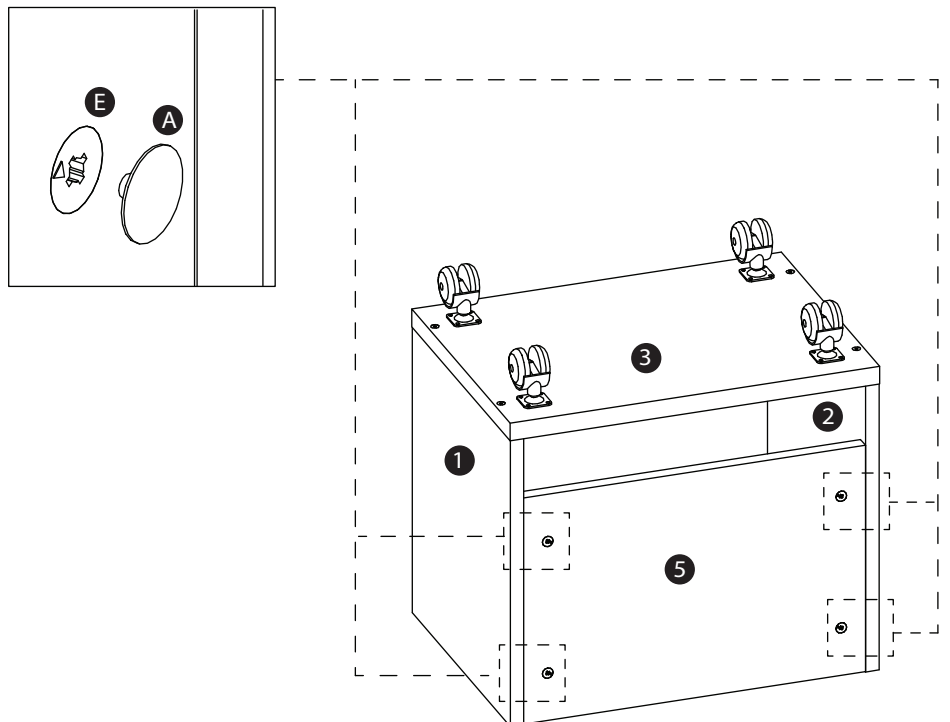
I H G



## Step 8

Parts, fittings and tools

1 2 3 5 E A



## Care guide

### Care and maintenance

#### Wood furniture

Wood displays different grain patterns depending on which way they are cut - for example, the 'medullary ray' which can appear on oak furniture is a mark of good quality timber - these are just characteristics of the natural beauty of the wood. Some furniture is also deliberately aged and rustic.

Wood veneers also allow a distinctive pattern to be created on some surfaces, such as tabletops and drawer fronts by the way slivers are arranged.

All timber and veneer surfaces will change colour and mellow over time. New furniture will initially vary in shade from items that have been previously purchased.

#### How to care for your wood furniture

Furniture with a hard lacquer, wax polish or painted surface should be dusted with a dry cloth.

Waxed furniture will need to be given a coat of beeswax a couple of times a year to help maintain its lustre. Spray polishes are best avoided as they contain silicones which may spoil the furniture's surface when building up over time.

Make sure all surfaces are protected from heat and liquids by mats and coasters. Wipe up spills immediately and ensure that a mat or pad is placed under paper if you are writing.

Our furniture will endure most temperatures in the home, but it is best to avoid placing furniture next to heat sources such as radiators or fires. Be particularly careful with solid wood as the lack of humidity caused by home heating can cause damage such as warping.

#### Safety instructions

Never drag furniture when moving it, always lift it.

Periodically check all fixings to ensure none have come loose and retighten when necessary.

Please take care when handling or moving the furniture as careless handling may cause damage or injury.

Furniture can be dangerous if incorrectly installed. Assembly should be carried out by a competent person. No liability will be accepted for damage or injury caused by incorrectly installed or assembled furniture.

Retain these instructions for future reference.