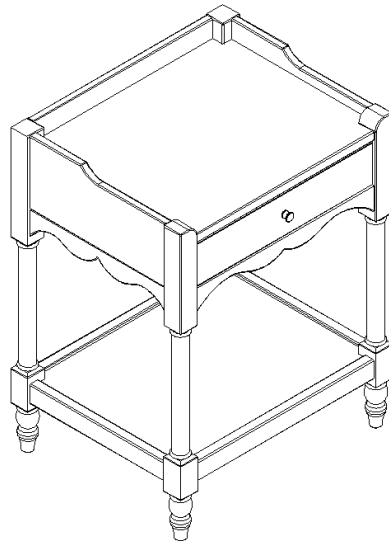


John Lewis

Etienne Oak IDR Bedside

Stock number: 80316812

Thank you for purchasing this product. Please read the instructions carefully before use to ensure safe and satisfactory operation of this product



Pre-assembly preparation

Please ensure instructions are read in full before attempting to assemble this product

Necessary Tools



Please check the pack contents before attempting to assemble this product. A full checklist of components is given in this leaflet. If any components are missing, please contact the local John Lewis branch or our Customer Service Team.

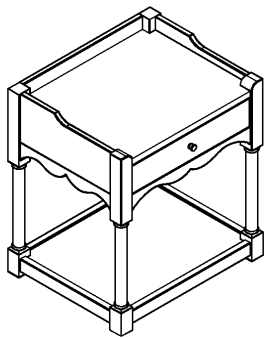

This product is **HEAVY**, it should be assembled as near as possible to the point of use. **TAKE CARE WHEN LIFTING** to avoid personal injury and (or) damage to the product.

This product takes approximately 15 **MINUTES** to assemble with 1 **PEOPLE**.

The fittings pack contains **SMALL ITEMS** which should be **KEPT AWAY FROM YOUNG CHILDREN**.

Read this leaflet in full before commencing assembly.

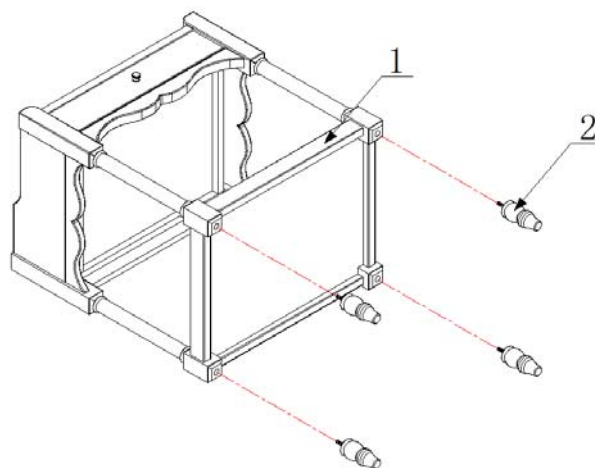
Fittings and parts checklist

1	Case X 1	
2	Bun foot X 4	

Step by step assembly instructions

Step One

1. Place the unit (1) on it's back on a flat and soft surface, insert the threaded rod of the bun foot(2) into the female receptor located in the bottom of the case. Turning the feet until hand tight is sufficient.
2. Carefully turn the case over.



Etienne Range

Care and Maintenance

Wood Furniture

The Etienne range has been sourced by John Lewis from the finest American Oak and each piece has been carefully constructed to ensure it will give you years of pleasure. The natural characteristics of this oak range may include small cracks, knots, blemishes and grain pattern variations which all add to the natural charm and beauty of this furniture product. Each piece is unique, and for this reason no two pieces within the range will perfectly match, however there will be harmony between all the pieces you may have purchased.

How to care for your wood furniture

Try to avoid prolonged exposure to direct sunlight as this may alter the colour and the tone of your furniture over time.

Any spillages that do happen should be wiped up immediately with a clean dry lint free cloth to avoid marking the surface of the furniture.

Safety Instructions

General warnings:

Never drag furniture when moving it, always lift it.

Periodically check all fixings to ensure none have come loose and re-tighten where necessary.

Please take care when handling or moving the furniture as careless handling may cause damage or injury.

Furniture can be dangerous if incorrectly installed. Assembly should be carried out by a competent person. No liability will be accepted for damage or injury caused by incorrectly installed or assembled furniture.

PLEASE KEEP THESE INSTRUCTIONS FOR FUTURE REFERENCE

John Lewis Partnership 171 Victoria Street London SW1E 5NN

www.johnlewis.com