

# IMPORTANT ! PLEASE KEEP THESE INSTRUCTIONS FOR FUTURE REFERENCE

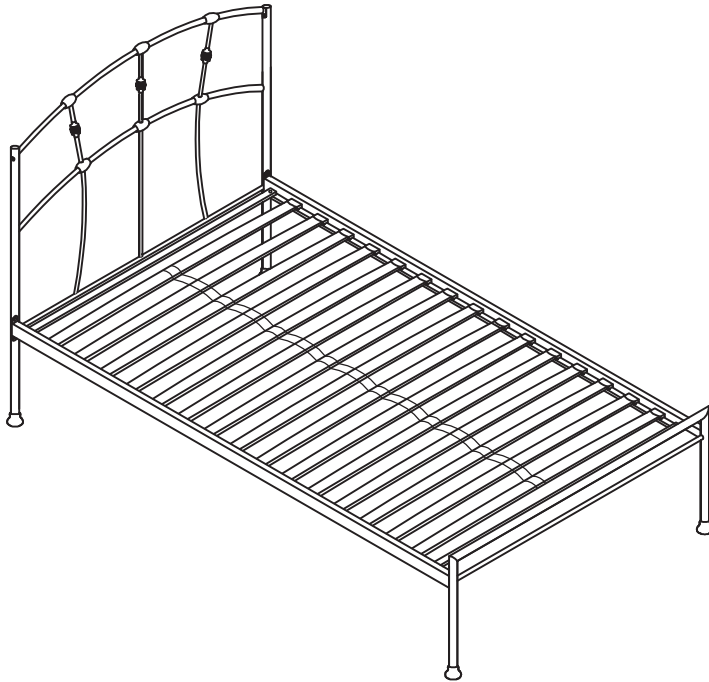
## Poppy 90cm Bedstead

Single

Stock number white: 803/67101

Stock number pink: 803/67201

Thank you for purchasing this Poppy Bedstead. Please read the instructions carefully before use to ensure safe and satisfactory operation of this product.



For product support or spare parts please call the John Lewis Helpline;

Tel: 01244 - 689949

e-mail: [mail@fwgroup-uk.com](mailto:mail@fwgroup-uk.com)



### Pre-assembly Preparation

Please ensure instructions are read in full before attempting to assemble this product.

### Necessary Tools



Please check the pack contents before attempting to assemble this product. A full checklist of components is given in this leaflet. If any components are missing, please contact the John Lewis Helpline.

This product is **HEAVY**. It should be assembled as near as possible to the point of use. **TAKE CARE WHEN LIFTING** to avoid personal injury and (or) damage to the product.

This product takes approximately **40 MINUTES** to assemble with **2 PEOPLE**.

The fittings pack contains **SMALL PARTS** which should be **KEPT AWAY FROM YOUNG CHILDREN**.

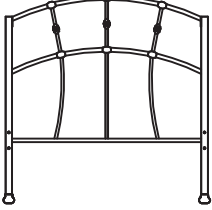

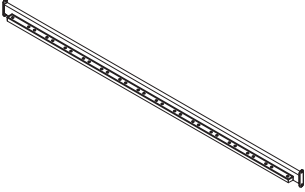
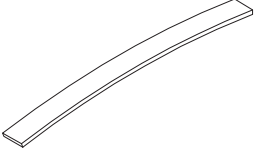
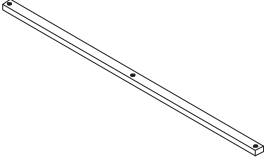
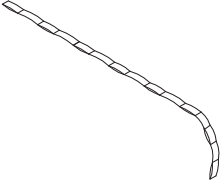
Read this leaflet in full before commencing assembly.

If you require any additional information or have any issues with this product please call the John Lewis Helpline on 01244 - 689949 or e-mail: [mail@fwgroup-uk.com](mailto:mail@fwgroup-uk.com)

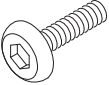
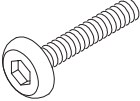
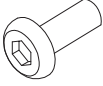
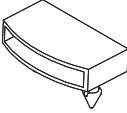


# IMPORTANT ! PLEASE KEEP THESE INSTRUCTIONS FOR FUTURE REFERENCE

## Fittings and parts checklist

### Bedstead Parts

1	Headboard x 1		2	Footboard x 1	
3	Side Rails x 2		4	Wooden Slats x 15	
5	Cross Bars x 2		6	Fabric Strap x 1	

### Fittings

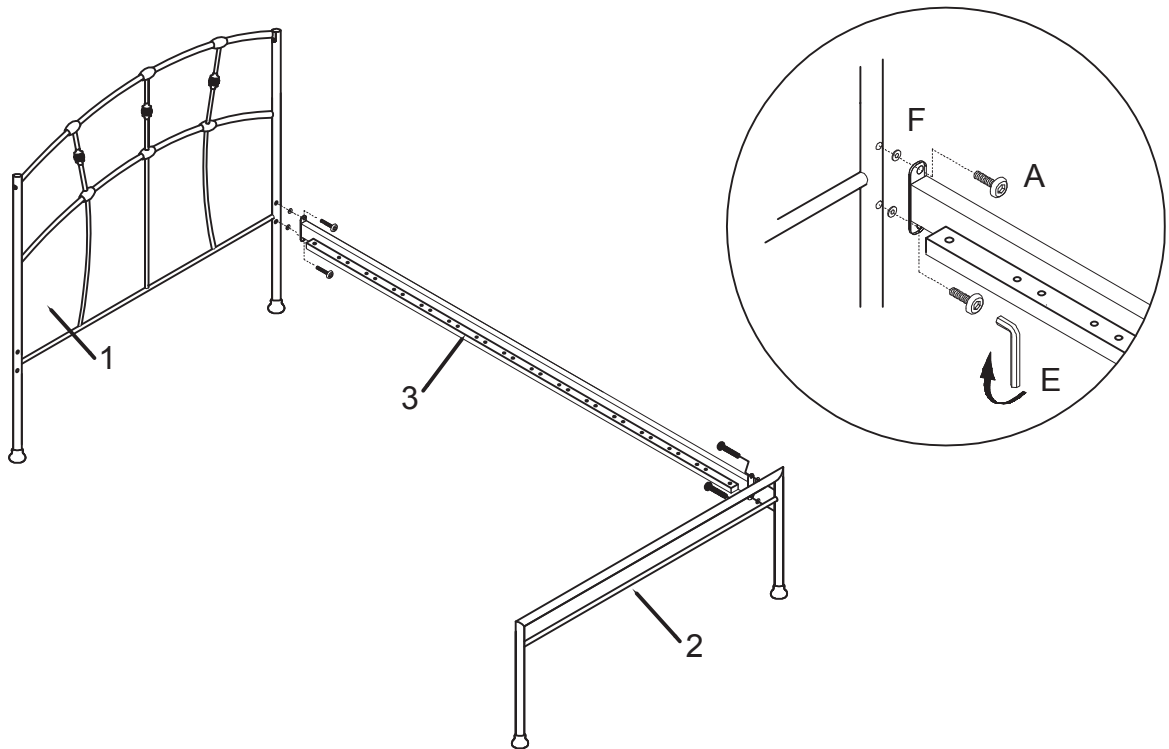
A	JCBC Screw x 8 (M6 x 20 mm)		B	JCBC Screw x 4 (M6 x 30 mm)	
C	M6 JCN Nut x 4		D	Side Stopper x 30	
E	M4 Allen Key x 2		F	Washer x 8	

# IMPORTANT ! PLEASE KEEP THESE INSTRUCTIONS FOR FUTURE REFERENCE

## Step by step assembly instructions

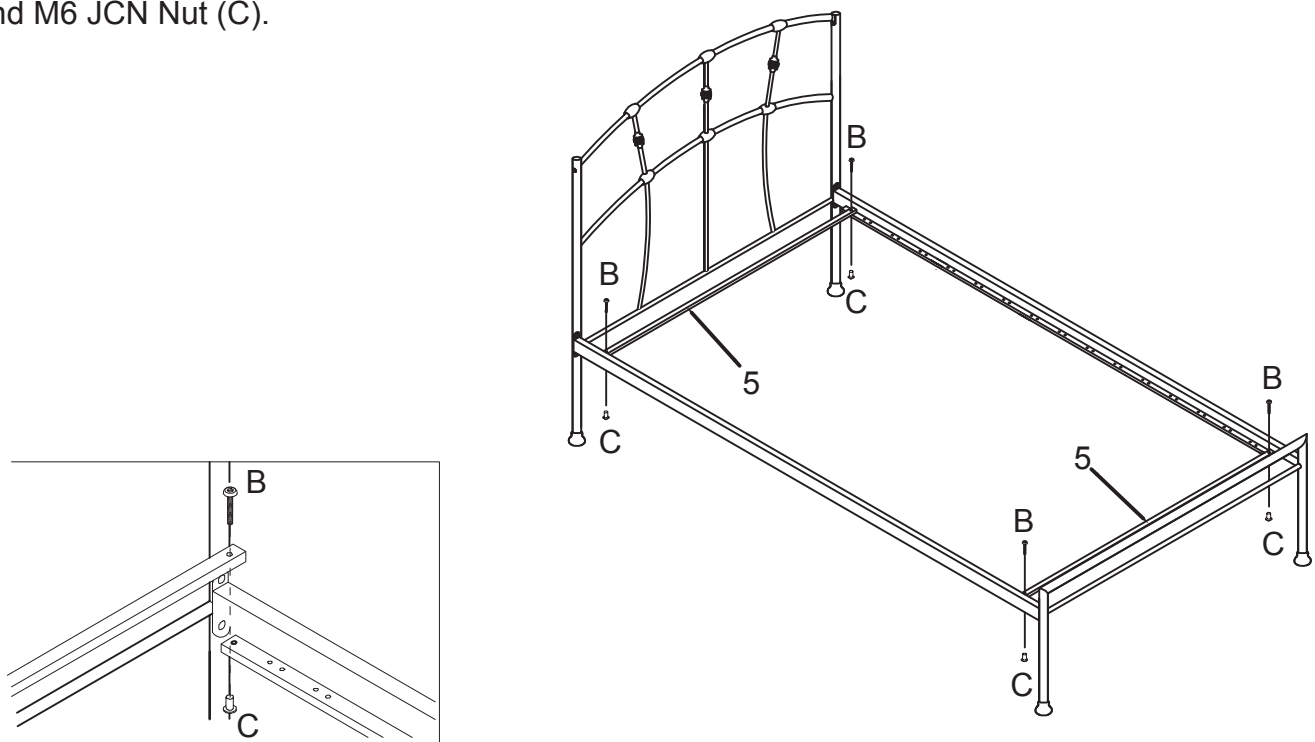
### Step One

Attach the Side Rails (3) to the Headboard (1) and Footboard (2) using Washer (F) and JCBC Screw M6 x 20mm (A). Tighten using Allen Key (E).



### Step Two

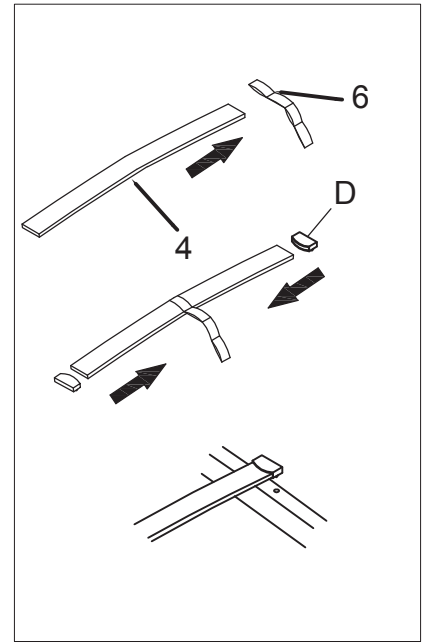
Place the Cross Bars (5) into the Side Rails (3) and secure using JCBC Screw M6 x 30mm (B) and M6 JCN Nut (C).



# IMPORTANT ! PLEASE KEEP THESE INSTRUCTIONS FOR FUTURE REFERENCE

## Step Three

Take a Slat (4) - ensuring the curved side is facing up - and insert into the Fabric Strap (6). Place a Side Stopper (D) on both ends of the Slat (4) and secure to the bed by fitting the Stoppers into the holes in the Side Rails (3). Repeat step for all Slats.



## Step Four

This bed is now ready to use.



# IMPORTANT ! PLEASE KEEP THESE INSTRUCTIONS FOR FUTURE REFERENCE

---

## Care and Maintenance

---

### Metal Furniture

A slightly damp cloth is the best cleaning agent for your Poppy bedstead.  
Do not use any abrasive cleaner or harsh detergent as this can damage the surface.

---

## Safety Instructions

---

### General warnings:

Never drag furniture when moving it. Always lift it.  
Periodically check all fixings to ensure none have come loose and re-tighten where necessary.  
Please take care when handling or moving the furniture as careless handling may cause damage or injury.  
Furniture can be dangerous if incorrectly installed. Assembly should be carried out by a competent adult.  
No liability will be accepted for damage or injury caused by incorrectly installed or assembled furniture.  
During assembly children should be kept away from the product due to possible risk of injury.  
Do not use this item if any components are missing or damaged.

**Warning:** Not suitable for children under 4 years old.

**Warning:** Do not place this child's bed near heat sources, windows and other furniture.

**Warning:** Do not use this child's bed if any part is broken, torn or missing.

Children are likely to play, bounce, jump and climb on beds, therefore the child's bed should not be placed too close to other furniture or windows, blind cords, curtain pulls or other strings or cords and should be placed either tight to any wall or have a gap of 300mm between the wall and the side of the bed.

This product complies to BS 8509:2008 + A1:2011.

If you require any additional information or have any issues with this product please call the John Lewis Helpline on 01244 689949 or email [mail@fwgroup-uk.com](mailto:mail@fwgroup-uk.com)

This bed is for use with a standard single size mattress L190 x W90 x H18.

