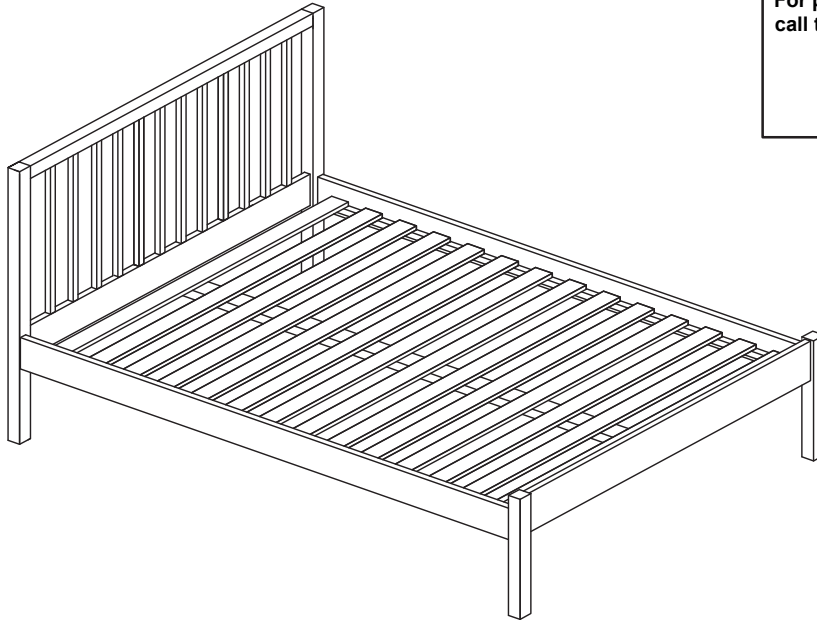


# Morgan 120cm Bedstead

Small double

Stock number: 803/40302

Thank you for purchasing this Morgan Bedstead. Please read the instructions carefully before use to ensure safe and satisfactory operation of this product.



For product support or spare parts please call the John Lewis Helpline;

T: 01244 689949

E: [mail@fwgroup-uk.com](mailto:mail@fwgroup-uk.com)

## Pre-assembly Preparation

Please ensure instructions are read in full before attempting to assemble this product.

## Necessary Tools



Please check the pack contents before attempting to assemble this product. A full checklist of components is given in this leaflet. If any components are missing, please contact the John Lewis Helpline.

This product is **HEAVY**. It should be assembled as near as possible to the point of use. **TAKE CARE WHEN LIFTING** to avoid personal injury and (or) damage to the product.

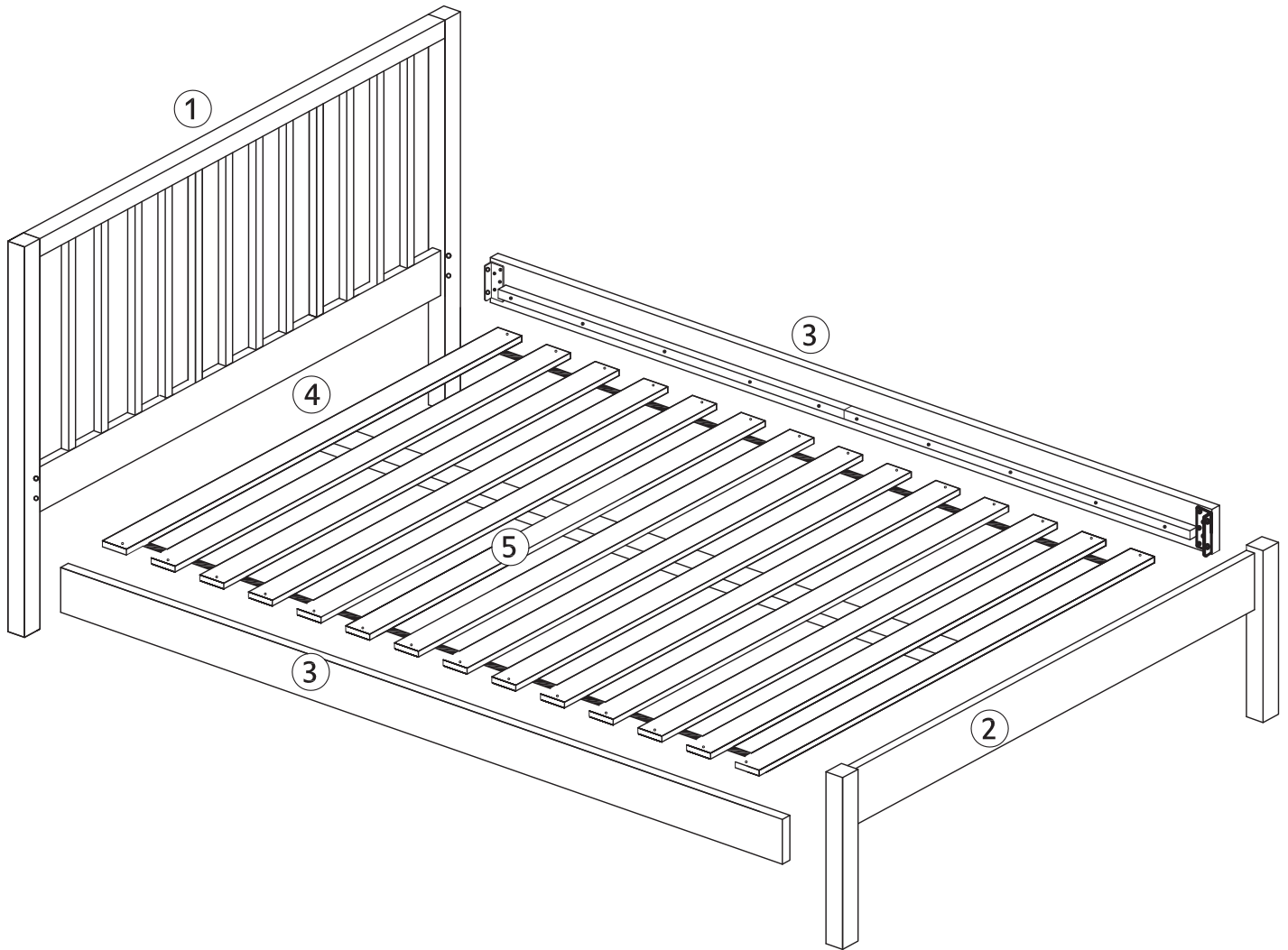
This product takes approximately **45 MINUTES** to assemble with **2 PEOPLE**.

The fittings pack contains **SMALL PARTS** which should be **KEPT AWAY FROM YOUNG CHILDREN**.

Read this leaflet in full before commencing assembly.

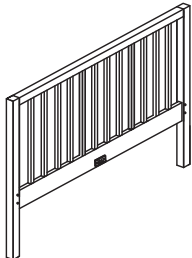
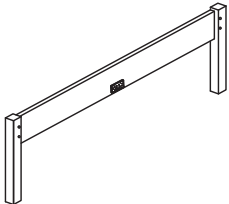

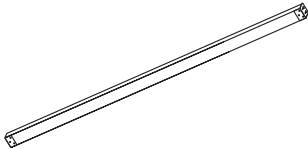
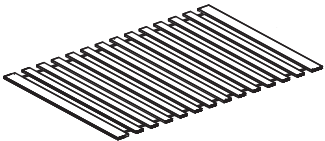
If you require any additional information or have any issues with this product please call the John Lewis Helpline on 01244 - 689949 or e-mail: [mail@fwgroup-uk.com](mailto:mail@fwgroup-uk.com)

# Key Diagram


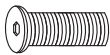



# Fittings and parts checklist

## Bedstead Parts

1	Headboard x 1		2	Footboard x 1	
3	Side Rails x 2		4	Centre Rail x 1	
5	Slat Set x 1				

## Fittings

A	Allen Key 4mm x 1		B	Bolt x 8 (M8 x 22 mm)	
C	Screw x 28 (30mm)				

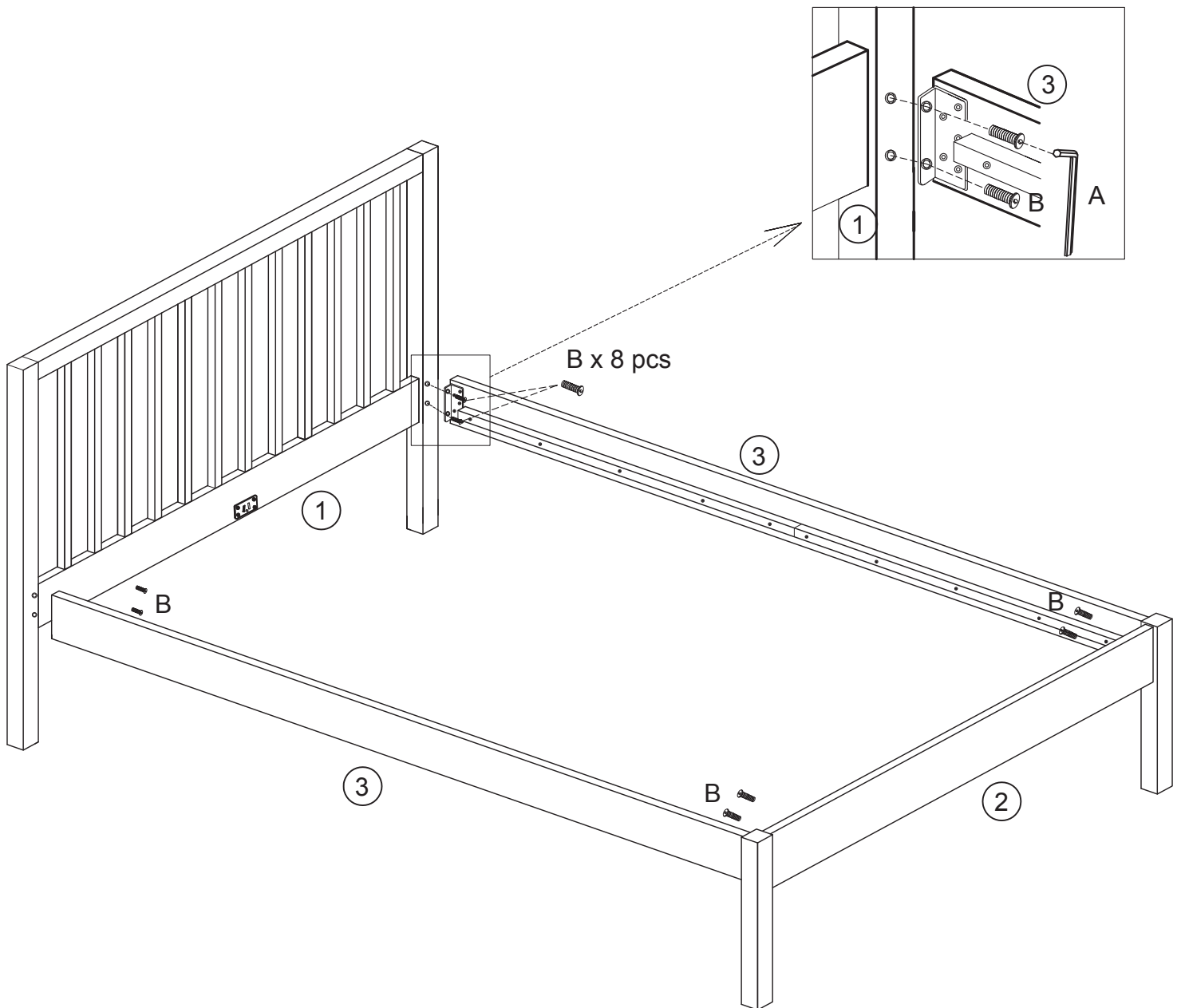
---

## Step by step assembly instructions

---

### Step One

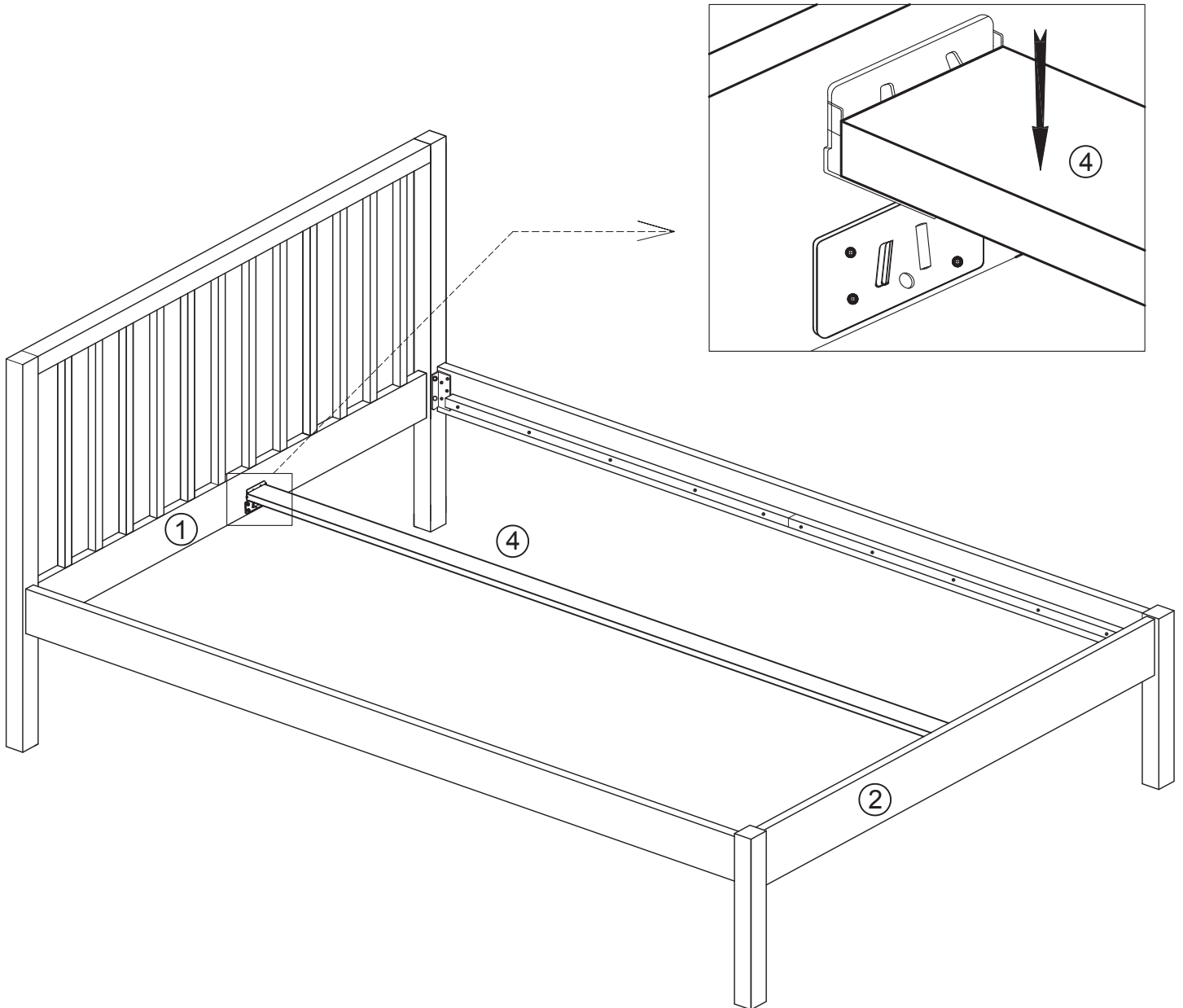
Attach the Side Rails (3) to the Headboard (1) and Footboard (2) using Bolts (B).  
Tighten using Allen Key (A).



---

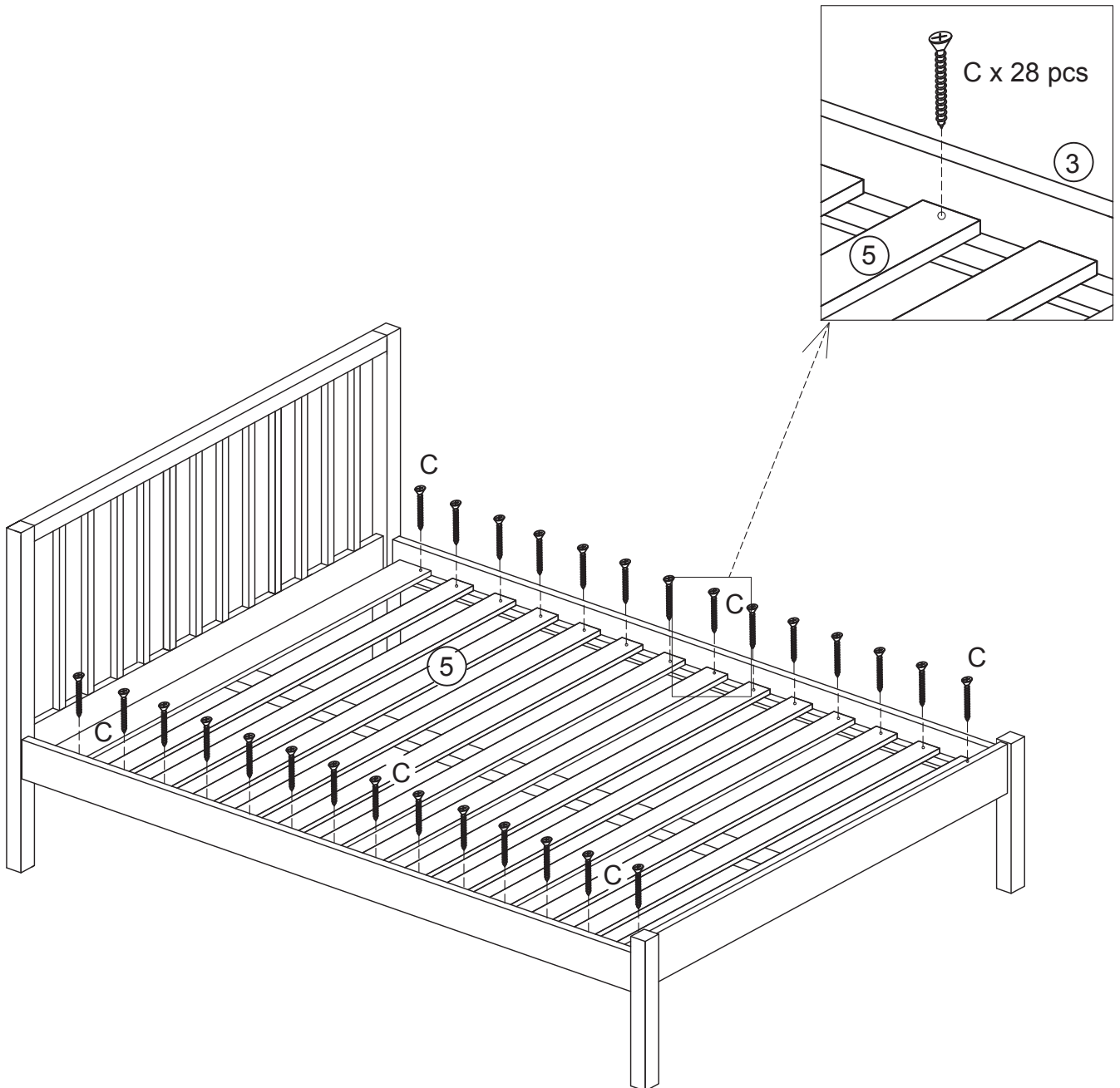
## Step Two

Slot the Centre Rail (4) onto the hooks on the Headboard (1) and Footboard (2).



## Step Three

Starting at the headend, put the Slats (5) in place by placing the first slat as close to the Headboard (1) as possible and then pulling the rest of the slats down to the Footboard (2). Ensure the slats are covering the full length of the bed and then keep in place using Screws (C).



---

# Care and Maintenance

---

## Wood furniture

Wood displays different grain patterns depending on which way they cut - for example, the 'medullary ray' which can appear on oak furniture is a mark of good quality timber - these are just characteristics of the natural beauty of the wood. Some furniture is also deliberately aged and rustic.

Wood veneer also allows distinctive patterns to be created on flat surfaces, such as table tops and drawer fronts by the way the silvers are arranged.

All timber surfaces will change colour and mellow over time. New furniture will initially vary in shade from items that have been previously purchased.

## How to care for your wood furniture

Furniture with a hard lacquer, wax polish or painted surface should be dusted with a dry cloth.

Wax furniture will need to be given a coat of beeswax a couple of times a year to help maintain its lustre.

Spray polishes are best avoided as they contain silicones which may spoil the furniture's surface by building up over time.

Our furniture will endure most temperatures in the home but it is best to avoid placing furniture next to heat sources such as radiators or fires. Be particularly careful with solid wood as the lack of humidity caused by central heating can cause damage such as warping.

---

# Safety Instructions

---

Never drag furniture when moving it. Always lift it.

Periodically check all fixings to ensure none have come loose and re-tighten when necessary.

Please take care when handling or moving the furniture as careless handling may cause damage or injury.

Furniture can be dangerous if incorrectly installed. Any assembly should be carried out by a competent adult.

No liability will be accepted for damage or injury caused by incorrectly installed or assembled furniture.

During assembly, children should be kept away from the product due to possible risk of injury.

Do not use this item if any components are missing or damaged.

It is recommended that care is taken when moving heavy objects to a new location to avoid personal injury or damage to the furniture. Please be careful to retain all fittings when doing this.

This product complies with BS EN 1725:1998.

If you need any additional information or have any issues with this product please call the John Lewis helpline on 01244 689949 or email [mail@fwgroup-uk.com](mailto:mail@fwgroup-uk.com)