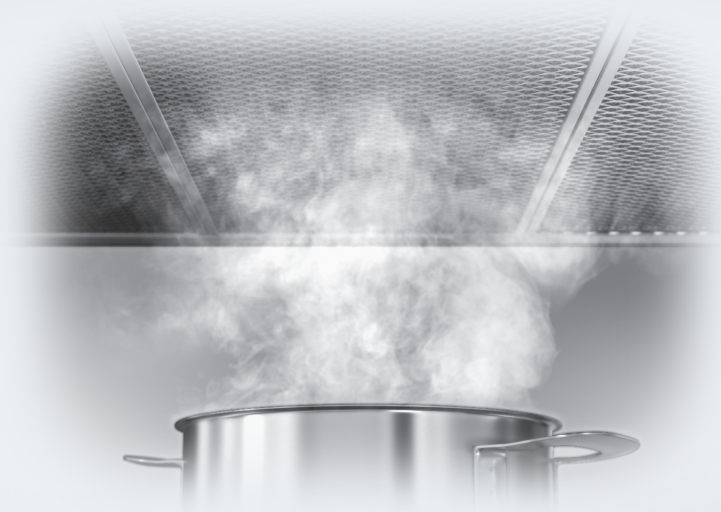


# Operating and installation instructions

## Cooker hood



To prevent the risk of accidents or damage to the appliance, it is **essential** to read these instructions before it is installed and used for the first time.

# Contents

---

<b>Warning and Safety instructions</b> .....	4
<b>Caring for the environment</b> .....	13
<b>Guide to the appliance</b> .....	14
<b>Modes of operation</b> .....	16
<b>Operation</b> .....	17
Switching the fan on .....	17
Fan run-on after cooking.....	17
Switching the fan off .....	17
Switching the hob lighting on/off .....	17
<b>Energy saving tips</b> .....	18
<b>Cleaning and care</b> .....	19
Casing.....	19
Grease filter.....	20
Charcoal filter.....	22
Disposing of the charcoal filter .....	22
Changing a halogen lamp .....	23
<b>After Sales / Guarantee</b> .....	24
Position of the data plate .....	24
<b>Installation</b> .....	25
Before installation .....	25
Assembly parts .....	26
Appliance dimensions.....	28
Safety distance between hob and cooker hood (S).....	29
Installation recommendations.....	30
Attaching the front panel.....	35
Aligning the deflector plate .....	35
Fitting the grease filter .....	36
Exhaust socket .....	36
Setting up for recirculation mode .....	37
Electrical connection.....	38
<b>Electrical connection</b> .....	39
<b>Connection for air extraction</b> .....	40
Condensate trap .....	41
Silencer .....	41

<b>Technical data .....</b>	<b>43</b>
-----------------------------	-----------

## Warning and Safety instructions

---

This appliance complies with all relevant local and national safety requirements. Inappropriate use can, however, lead to personal injury and damage to property.

To avoid the risk of accidents and damage to the appliance, please read these instructions carefully before using it for the first time. They contain important notes on the safety, installation, use and maintenance of the appliance. Miele cannot be held liable for non-compliance with these instructions.

Keep these instructions in a safe place and ensure that all users are familiar with the contents. Pass them on to any future owner of the appliance.

### Correct application

- ▶ This cooker hood is intended for use in domestic households and similar working and residential environments.
- ▶ The cooker hood is not intended for outdoor use.
- ▶ It must only be used as a domestic appliance to extract vapours and remove odours from cooking.  
Any other usage is not supported by the manufacturer and could be dangerous.
- ▶ Where a recirculation cooker hood is fitted above a gas hob, please ensure that there is an adequate supply of fresh air into the room in which it is installed. Please seek the advice of a qualified gas fitter (e.g. GasSafe in the UK) if necessary.

## Warning and Safety instructions

---

▶ The cooker hood can only be used by people with reduced physical, sensory or mental capabilities, or lack of experience and knowledge, if they are supervised whilst using it, or have been shown how to use it in a safe way and recognise and understand the consequences of incorrect operation.

### **Safety with children**

- ▶ Children under 8 years of age must be kept away from the cooker hood unless they are constantly supervised.
- ▶ Children 8 years and older may only use the cooker hood unsupervised if they have been shown how to use it safely and recognise and understand the consequences of incorrect operation.
- ▶ Children must not be allowed to clean or maintain the cooker hood unsupervised.
- ▶ Please supervise children in the vicinity of the cooker hood and do not let them play with it.
- ▶ Danger of suffocation. Packaging, e.g. plastic wrappings, must be kept out of the reach of babies and children. Whilst playing, children could become entangled in packaging or pull it over their head and suffocate.

## Warning and Safety instructions

---

### Technical safety

- ▶ Unauthorised installation, maintenance and repairs can cause considerable danger for the user. Installation, maintenance and repairs must only be carried out by a Miele authorised technician.
- ▶ A damaged appliance can be dangerous. Check it for visible signs of damage. Do not use a damaged appliance.
- ▶ The electrical safety of this appliance can only be guaranteed when correctly earthed. It is essential that this standard safety requirement is met. If in any doubt please have the electrical installation tested by a qualified electrician.
- ▶ Reliable and safe operation of this cooker hood can only be assured if it has been connected to the mains electricity supply.
- ▶ Before connecting the appliance to the mains supply, ensure that the connection data on the data plate (voltage and frequency) match the mains electricity supply. This data must correspond in order to avoid the risk of damage to the appliance. Consult a qualified electrician if in any doubt.
- ▶ Do not connect the appliance to the mains electricity supply by a multi-socket unit or an extension lead. These are a fire hazard and do not guarantee the required safety of the appliance.

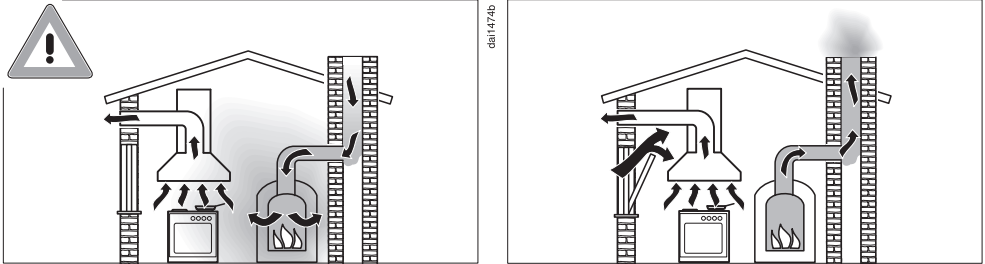
## Warning and Safety instructions

---

- ▶ For safety reasons, this appliance may only be used after it has been built in.
- ▶ The cooker hood must not be used in a non-stationary location (e.g. on a ship).
- ▶ Tampering with electrical connections or components and mechanical parts is highly dangerous to the user and can cause operational faults.  
Only open the housing as described in the instructions given in the installation sheet and in the Cleaning and care section of this booklet. Under no circumstances should any other parts of the housing be opened.
- ▶ The manufacturer's warranty will be invalidated if the appliance is not repaired by a Miele approved service technician.
- ▶ Miele can only guarantee the safety of the appliance when genuine original Miele replacement parts are used. Faulty components must only be replaced by Miele spare parts.
- ▶ If the electrical connection cable is faulty it must only be replaced by a Miele authorised service technician to protect the user from danger.
- ▶ During installation, maintenance and repair work, the appliance must be disconnected from the mains electricity supply.

# Warning and Safety instructions

Using at the same time as other heating appliances that depend on the air from the room



## ⚠ Warning - danger of toxic fumes

Great care should be taken when using the cooker hood at the same time and in the same room or area of the house as another heating appliance which depends on the air in the room.

Such appliances include gas, oil, wood or coal-fired boilers and heaters, continuous flow or other water heaters, gas hobs, cookers or ovens which draw air in from the room and duct exhaust gases out through a chimney or extraction ducting.

When used in extraction mode, with or without an external motor fitted, or in recirculation mode with a recirculation box installed outside the room, the appliance draws air in from the room in which it is installed and from neighbouring rooms.

If there is insufficient air, an underpressure will occur. The heating appliance will be starved of oxygen, impairing combustion. Harmful gases could be drawn out of the chimney or extraction ducting back into the room, with potentially fatal consequences.



## Warning and Safety instructions

In order to ensure safe operation, and to prevent gases given off by the heating appliances from being drawn back into the room when the cooker hood and the heater are in operation simultaneously, an underpressure in the room of 0.04 mbar (4 pa) is the maximum permissible.

Ventilation can be maintained by air inlets which cannot be blocked, in windows, doors or outside wall vents, or by other technical measures, such as ensuring that the cooker hood can only be switched on when the heating appliance is switched off or vice versa. A ventilation brick alone is not generally sufficient to ensure safe ventilation.

The overall ventilation condition of the dwelling must be taken into account. If in any doubt, the advice of a competent builder or, for gas a qualified gas fitter (registered with an official gas safety body in accordance with national safety regulations, GasSafe in the UK) must be sought.

If the cooker hood is used in recirculation mode, where the air is directed back into the room in which it is located, operating a heating appliance which depends on the room air at the same time is no cause for concern.

## Warning and Safety instructions

---

### Correct use

- ▶ Never use a naked flame beneath the cooker hood. To avoid the danger of fire, do not flambé or grill over a naked flame. When switched on, the cooker hood could draw flames into the filter. Fat deposits could ignite, presenting a fire hazard.
- ▶ The cooker hood can become damaged when exposed to excessive heat.
  - When using the cooker hood over a gas hob, ensure that any burners in use are always covered by a pan. Switch the cooking zone off when a pan is removed, even for a short time.
  - Select a pan which is suitable for the size of the burner.
  - Regulate the flame so that it does not burn up the sides of the pan.
  - Avoid overheating the pan (e.g. when cooking with a wok).
- ▶ Always switch the cooker hood on when a cooking zone is in use, otherwise condensation may collect in the hood, which could cause corrosion.
- ▶ When cooking with oil or fat, chip pans and deep fat fryers etc, do not leave the pans unattended. Never leave an open grill unattended when grilling. Overheated oil and fat can ignite and could set the cooker hood on fire.

## Warning and Safety instructions

---

▶ Do not use the cooker hood without the filters in place. This way you will avoid the risk of grease and dirt getting into the appliance and hindering its smooth operation.

▶ There is a risk of fire if the cooker hood is not cleaned as described in these operating instructions.

▶ The cooker hood can get very hot during cooking due to heat rising from the hob.

Do not touch the housing or the grease filters until the cooker hood has cooled down.

### Correct installation

▶ Refer to the cooker or hob manufacturer's instructions as to whether a cooker hood may be operated above the cooker/hob.

▶ Safety regulations prohibit the fitting of a cooker hood over solid fuel stoves.

▶ Insufficient distance between the cooker or hob and the cooker hood can result in damage to the hood.

The minimum safety distances between the top of the cooker or hob and the bottom of the cooker hood given in the "Installation" section must be maintained, unless the hob manufacturer states that a greater distance is required.

If more than one cooking appliance is fitted beneath the cooker hood, and they have different minimum safety distances to the cooker hood, select the greater distance.

▶ The distances given in "Installation" must be observed when fitting the cooker hood.

▶ Exhaust ducting must be of non-inflammable material. Suitable material is available from Miele specialist dealers or the Miele Spares Dept.

▶ The appliance must not be connected to a chimney or flue which is in use. Neither should it be connected to ducting which ventilates rooms with fireplaces.

## **Warning and Safety instructions**

---

▶ If exhaust air is to be extracted into a chimney or ventilation duct no longer used for other purposes, seek professional advice.

### **Cleaning and care**

▶ Do not use a steam cleaning appliance to clean this appliance. The steam could reach electrical components and cause a short circuit.

### **Accessories**

▶ Only use genuine original Miele accessories with this appliance. Using accessories from other manufacturers will invalidate the guarantee, and Miele cannot accept liability.

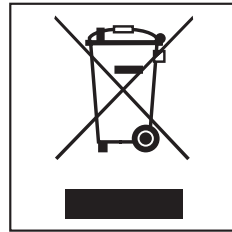
### Disposal of the packing material

The packaging is designed to protect the appliance from damage during transportation. The packaging materials used are selected from materials which are environmentally friendly for disposal and should be recycled.

Recycling the packaging reduces the use of raw materials in the manufacturing process and also reduces the amount of waste in landfill sites.

### Disposal of your old appliance

Electrical and electronic appliances often contain valuable materials. They also contain materials which, if handled or disposed of incorrectly, could be potentially hazardous to human health and to the environment. They are, however, essential for the correct functioning of your appliance. Please do not therefore dispose of it with your household waste.

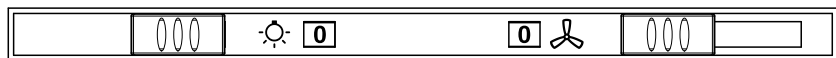
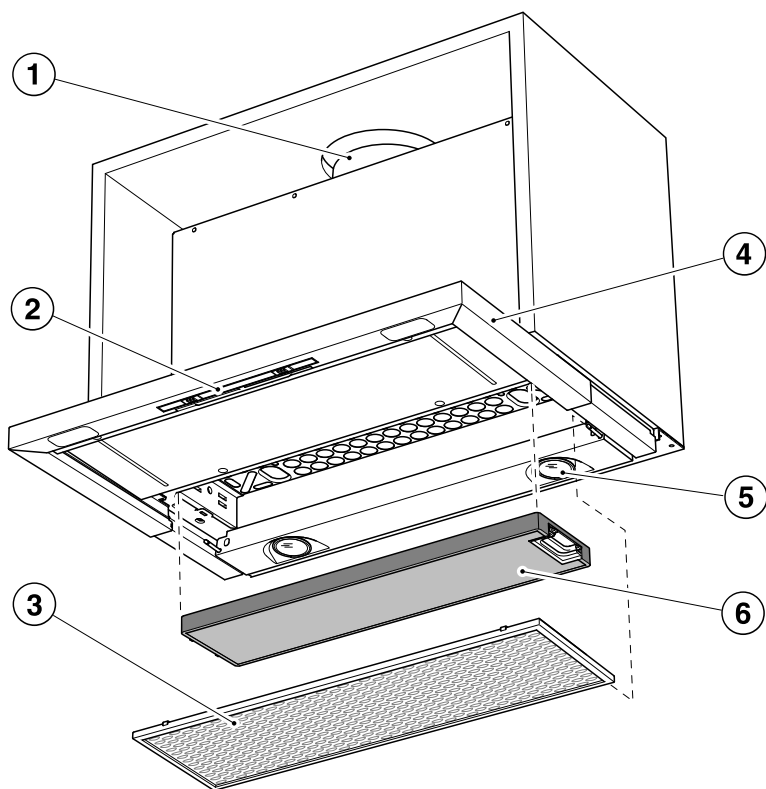


Please dispose of it at your local community waste collection / recycling centre or contact your Dealer for advice.

Ensure that it presents no danger to children while being stored for disposal.

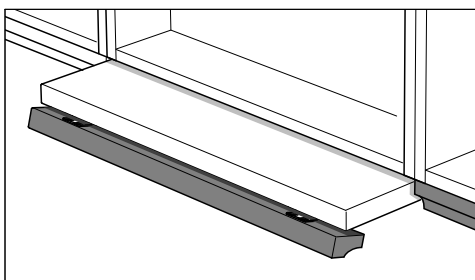
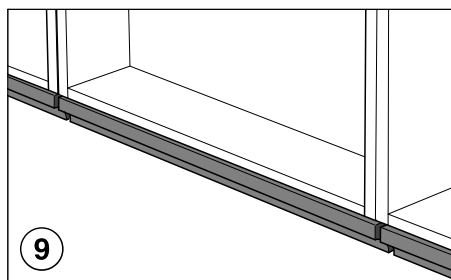
# Guide to the appliance

603528P



7

8



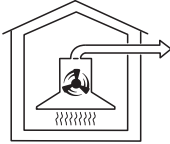
- ① Exhaust socket for air extraction/recirculation
- ② Controls
- ③ Grease filter
- ④ Pull-out deflector plate
- ⑤ Hob lighting
- ⑥ Charcoal filter  
Accessory required for recirculation mode
- ⑦ Sliding switch for the hob lighting
- ⑧ Sliding switch for the fan
- ⑨ Drop-down front panel  
A front panel to match your kitchen furniture may be fitted instead of this panel (DML 400 installation kit required).

# Modes of operation

---

Depending on the model of the cooker hood, the following options are available:

## Extraction mode



da0094a

The air is drawn in and cleaned by the grease filter and directed outside.

## Non-return flap

The non-return flap is designed to prevent the exchange of room and outside air taking place.

The flap is closed when the cooker hood is switched off.

When the cooker hood is switched on, the non-return flap opens for the cooking vapours to be blown directly outside.

If the on-site ventilation system does not have a non-return flap, the non-return flap supplied must be fitted in the exhaust socket in the motor unit.

## Recirculation mode

(requires purchase of conversion kit and charcoal filter: see "Technical Data")




da0094b

The air is drawn in and cleaned first by the grease filter and then by a charcoal filter. The cleaned air is then recirculated back into the kitchen.



## Switching the fan on

For light to heavy cooking vapours select from power levels **1** to **3**. For short periods of strong vapours and cooking odours, e.g. whilst searing meat, select the **IS** (Intensive) setting.

- Pull the deflector plate out. For optimum extraction with minimum noise levels always pull the deflector plate out to its full extent.
- Switch the fan on with the fan switch  and select the power level you want.

## Fan run-on after cooking


- It is advisable to run the fan for a few minutes after cooking has finished to neutralise any lingering vapours and odours in the air.

## Switching the fan off

- Push the deflector plate in to switch the fan off. The next time the deflector plate is pulled out the cooker hood will operate at the power level it was at previously.
- Slide the fan switch to **0**.

## Switching the hob lighting on/off

The hob lighting can be switched on and off with the deflector pushed in or pulled out and independently of the fan.

- Use the lighting switch  to switch the hob lighting on (**1**) or off (**0**).

## Energy saving tips

---

This cooker hood operates very efficiently and economically. The following will help you to save even more energy when using it:

- Ensure that there is sufficient ventilation in the kitchen when cooking. In extraction mode, if there is insufficient air flow the cooker hood cannot operate efficiently and this causes increased operating noise levels.
- Always cook with the lowest possible setting. This produces fewer cooking vapours, so you can use a lower cooker hood power level and therefore benefit from reduced energy consumption.
- Check the power level selected on the cooker hood. A lower power level is generally sufficient for the majority of cooking. Only use the intensive setting when necessary.
- When a large volume of cooking vapours are being produced, switch to a high power level in good time. This is more efficient than operating the cooker hood for longer to try to capture cooking vapours which have already been distributed throughout the kitchen.
- Make sure that you switch the cooker hood off after use.
- Clean or change the filters at regular intervals. Heavily soiled filters reduce performance, increase the risk of fire and are unhygienic.

## Casing

### General information

The surfaces and controls are susceptible to scratches and abrasion.

Please observe the following cleaning instructions.

- All external surfaces and controls can be cleaned using hot water with a small amount of washing-up liquid applied with a well wrung-out soft sponge or cloth.

Do not let moisture get into the cooker hood.

Only use a damp cloth when cleaning. This is particularly important around the controls.

- After cleaning, wipe the surfaces dry using a soft cloth.

Do not use:

- cleaning agents containing soda, acids, chlorides or solvents,
- abrasive cleaning agents, e.g. powder cleaners or cream cleaners and abrasive sponges, as well as pot scourers or sponges which have been used previously with abrasive cleaning agents. These will damage the surface material.

### Important for appliances with stainless steel surfaces

(This information does not apply to the controls).

- Stainless steel surfaces can be cleaned with a proprietary non-abrasive cleaning agent designed specifically for use on stainless steel.
- To help prevent re-soiling, a proprietary conditioning agent for stainless steel (available from Miele) can also be used. Follow the manufacturer's instructions on the packaging.

### Important for the controls

Do not leave soiling on the controls for any length of time.

Otherwise they may suffer discolouration or damage.

Remove soiling straight away.


- Please observe the general notes on cleaning earlier in this section.

Do not use stainless steel cleaning agents on the controls.

# Cleaning and care

## Grease filter

The re-usable metal grease filter in the appliance removes solid particles from the kitchen vapours (grease, dust, etc) preventing soiling of the cooker hood.

 An oversaturated filter is a fire hazard.

## Cleaning interval

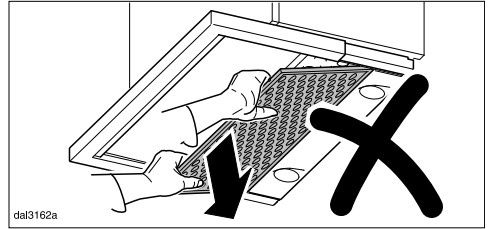
Grease which is left to accumulate over time will harden and become difficult to remove. The grease filter should therefore be cleaned at least every 3 - 4 weeks.

## Removing a grease filter

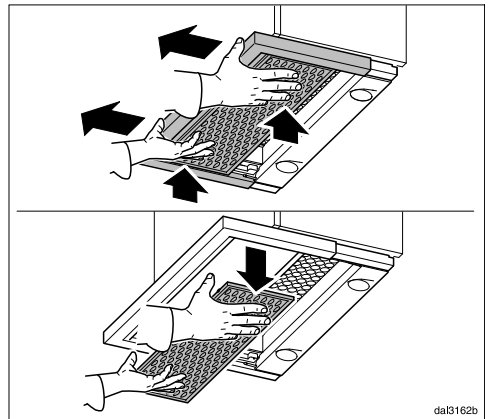
The grease filter can fall out when you are handling it.

This can result in damage to the filter and the hob below.

Make sure you hold the filter securely at all times when handling it.



When removing the grease filter do not tilt it downwards at an angle. This can damage the retaining pins.



- With the deflector plate pushed in, grip the front of the deflector plate and hold the grease filter securely. Whilst holding the grease filter pull the deflector plate out as shown.
- Then lower the grease filter downwards to remove it.
- Switch off the fan.

## Cleaning the grease filter by hand

- Clean the filter with a soft nylon brush in a mild solution of hot water and a small amount of washing-up liquid. Do not use "neat" washing up liquid.

## Unsuitable cleaning agents

Unsuitable cleaning agents can cause damage to the surface of the filters if used regularly.

Do not use:

- cleaning agents containing descaling agents
- powder cleaners, cream cleaners
- aggressive multi-purpose cleaning agents or spray cleaners for grease
- oven sprays

## Cleaning the grease filter in a dishwasher

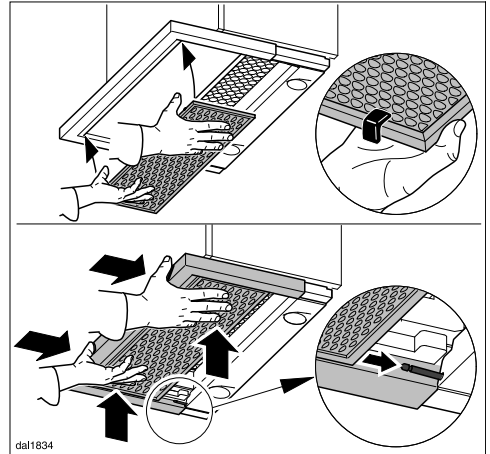
- Place the filter as upright as possible in the lower basket, or at an angle, ensuring the spray arm is not obstructed.
- Use a proprietary household dishwasher detergent.
- Select a dishwasher programme with a wash temperature between 50°C and 65°C.

Depending on the cleaning agent used, cleaning a filter in a dishwasher can cause permanent discolouration to internal surfaces. However, this will not affect the functioning of the filter in any way.

## After cleaning

- After cleaning, leave the filter to dry on an absorbent surface before replacing it.
- When removing the filter for cleaning, also clean off any residues of oil or fat from the now accessible casing to prevent the risk of these catching fire.

## Fitting the grease filter



- When fitting the grease filter, make sure that the red plastic guides are at the front and facing upwards.
- Replace the grease filter in the front of the deflector plate, press it upwards and push it in together with the deflector plate. It will slide onto the retaining pins at the back. Finally, push the grease filter back a little more.

# Cleaning and care

---

## Charcoal filter

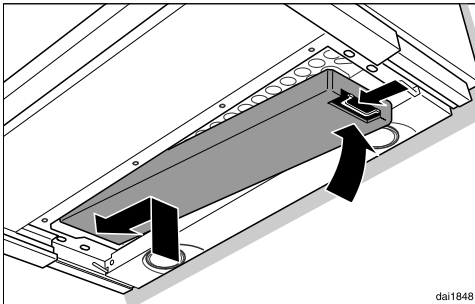
If the cooker hood is connected for recirculation, a charcoal filter must be inserted in addition to the grease filter. This is designed to absorb cooking odours.

It is fitted in the canopy above the grease filter.

Replacement charcoal filters can be obtained from your Miele retailer or via the internet at [www.miele-shop.com](http://www.miele-shop.com). See back of manual for contact details, and "Technical data" for type and reference number.

## Fitting/replacing the charcoal filter

- Before fitting or replacing the charcoal filter, the grease filter must first be taken out (see previous section for instructions on how to do this).
- Take the charcoal filter out of its packaging.



- Fit the charcoal filter into the frame.
- Replace the grease filter.

## When to change the charcoal filter

- Always replace the charcoal filter when it no longer absorbs kitchen odours effectively. It should, however be replaced at least every 6 months.

## Disposing of the charcoal filter

- Used charcoal filters can be disposed of with the normal household waste.

## Changing a halogen lamp

The halogen lamps should be replaced with the following:

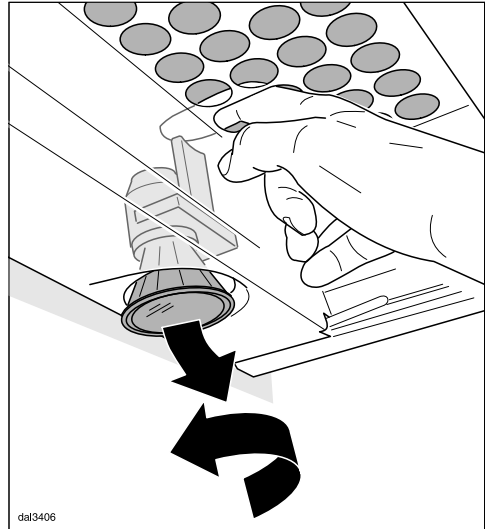
Manufacturer .....	EGLO
Lamp type .....	GU10
Specification .....	11427
Wattage .....	3 W

These halogen lamps are available from Miele or from specialist retailers.

- Pull out the deflector plate, and remove the grease filter as described earlier.
- Switch off the fan and the lighting.

Note that halogen lamps become very hot when in use. They can cause burns even after being switched off for some time! Allow the lamps to cool down for a few minutes before changing them.

- Remove the charcoal filter if the cooker hood is being used in recirculation mode.
- Disconnect the cooker hood from the mains electrical supply before replacing the lamps (see "Warning and Safety instructions").



- Push down the lighting unit slightly via the opening in the safety panel.
- Turn the halogen lamp anti-clockwise and pull it out.
- Screw the new halogen lamp into the socket and push it upwards. Please follow the manufacturer's safety instructions.
- Replace the grease filter and, if being used in recirculation mode, the charcoal filter.

## After Sales / Guarantee

---

In the event of a fault which you cannot remedy yourself, please contact your Miele dealer or the Miele Service Department.

Contact details for Miele are given at the back of this manual. N.B. A call-out charge will be applied to service visits where the problem could have been resolved as described in these instructions.

When contacting your dealer or Miele, please quote the model and serial number of your appliance. These are shown on the data plate.

### **Position of the data plate**

The data plate is visible after removing the grease filter.

### **Guarantee: U.K.**


In the U.K., the appliance is guaranteed for 2 years from the date of purchase. However, you must activate your cover by calling 0330 160 6640 or registering online at [www.miele.co.uk](http://www.miele.co.uk).

### **Guarantee: Other countries**

For information on the appliance guarantee specific to your country please contact Miele. See end of this booklet for contact details.

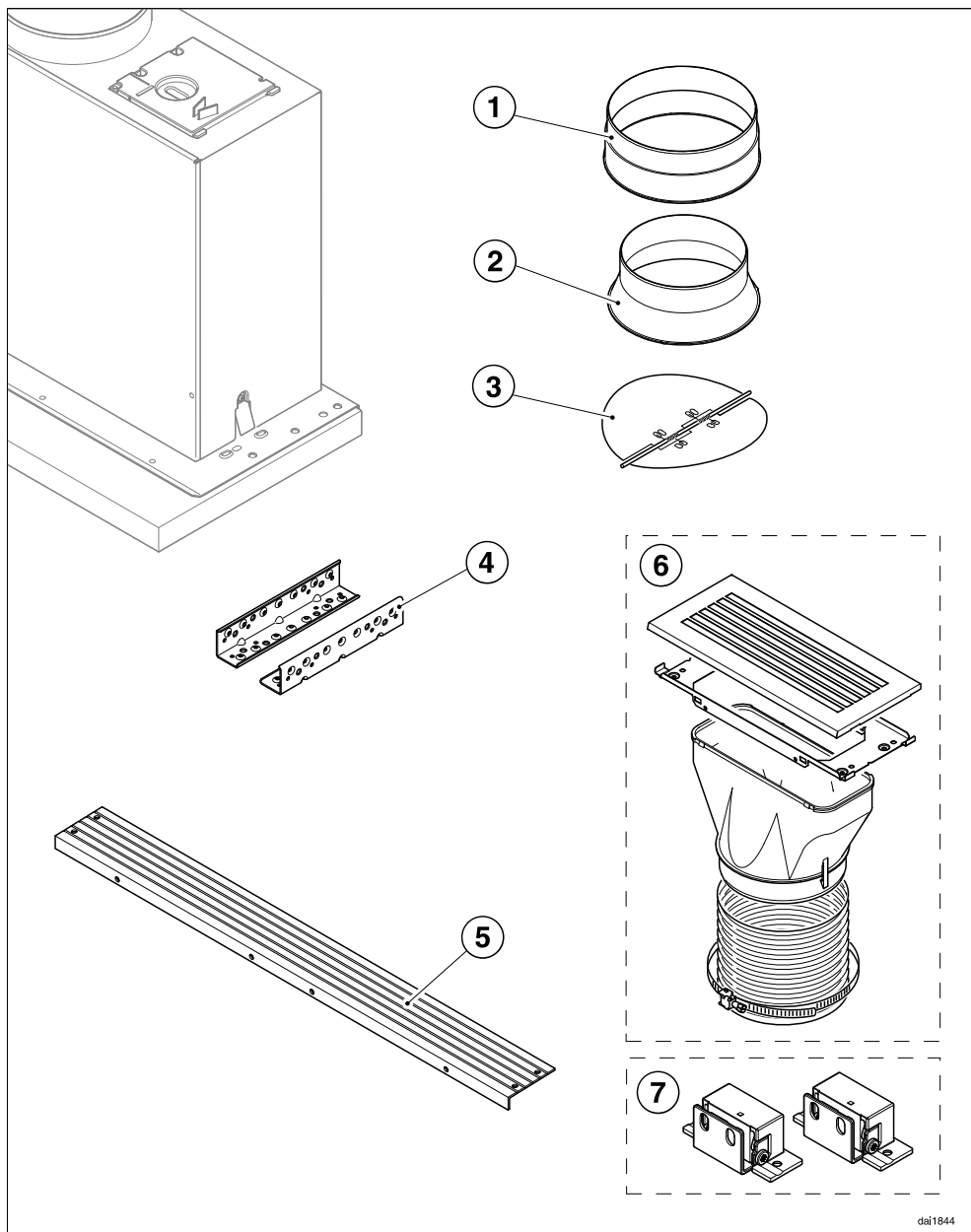


## Before installation

 Before installation, it is important to read the information given on the following pages as well as the "Warning and Safety instructions" at the beginning of this booklet.

# Installation

## Assembly parts



dai1844

- ① **1 exhaust connection**  
for exhaust ducting  $\varnothing$  150 mm
- ② **1 reducing collar**  
for exhaust ducting  $\varnothing$  125 mm
- ③ **1 non-return flap**  
for fitting into the exhaust connection on the motor unit (not needed for recirculation mode)
- ④ **2 brackets**  
for securing the cooker hood into the wall unit
- ⑤ **1 spacer strip**  
for concealing the gap between the rear of the appliance and the wall
- ⑥ **Conversion kit for recirculation mode**  
(not supplied, but available as an optional accessory - see "Technical data"). The kit contains an exhaust grille and flexible aluminium hose with hose clips.
- ⑦ **DML 400 installation kit for fitting a drop-down front panel**  
(not supplied but available as an optional accessory). Contains hinging and screws for fitting a front panel to match kitchen furniture.



## 14 screws 4 x 15 mm

for securing the cooker hood into the wall unit

04932511



## 8 screws M4 x 12 mm

for securing the cooker hood to the brackets

4 of the screws can be used instead of the plastic rivets to secure the spacer strip.

07270730



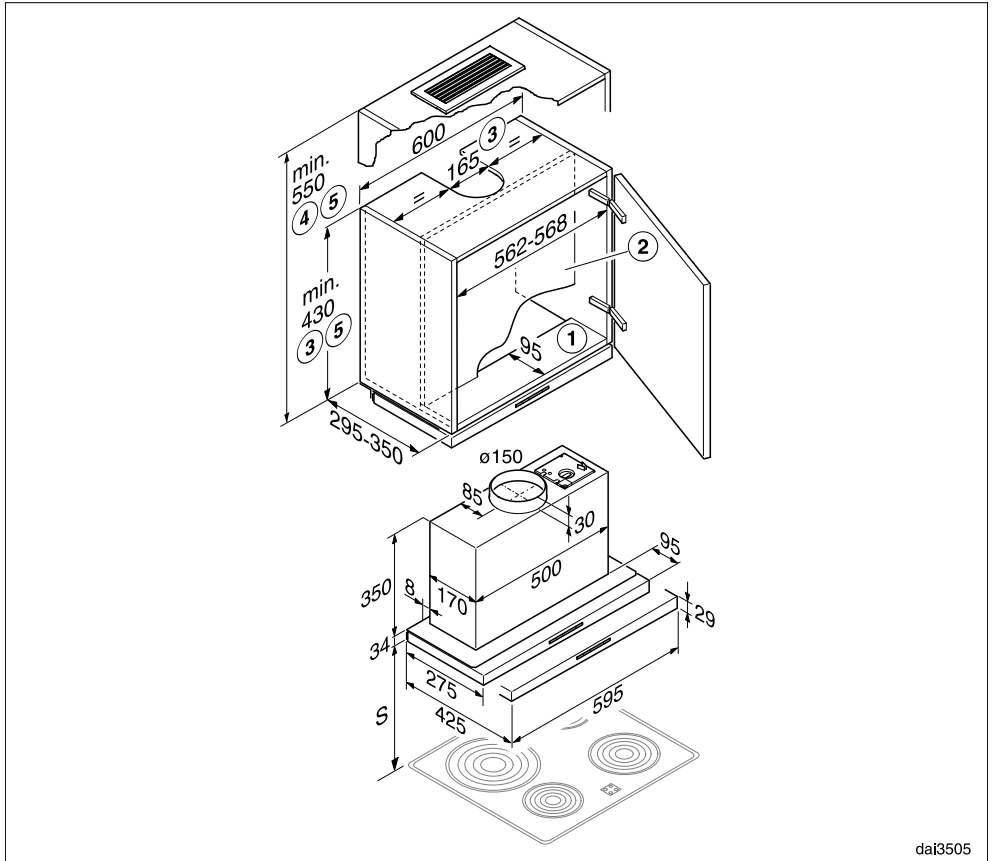
## 4 plastic rivets

for securing the spacer strip

08269410

# Installation

## Appliance dimensions



dai3505

- ① The front section of the wall housing unit must be fitted with a shelf to the depth of the partition wall. If the appliance is fitted further back, e.g. to accommodate a front panel, then the shelf depth should be correspondingly deeper.
- ② The partition wall in the wall unit must be removable.
- ③ For extraction mode: the height of the wall unit and the cut-out dimensions must take account of any accessories fitted, e.g. a silencer.
- ④ Recirculation mode with conversion kit DUU 151.
- ⑤ When installing the cooker hood with a DAR 3000 drop-down frame, make sure that you note the different wall unit height (please refer to the dimensions given in the DAR 3000 building-in diagram).

## Safety distance between hob and cooker hood (S)

When planning the installation height of your cooker hood, the minimum safety distance between the top of a cooker or hob and the bottom of the cooker hood is as follows, unless a greater distance is specified by the manufacturer of your cooking appliance.

See "Warning and Safety" instructions for further information.

Cooking appliance	Minimum distance S
Electric hob	450 mm
Electric grill, deep fat fryer (electric)	650 mm
Multi-burner gas hob, total output $\leq 12.6$ kW, no burner $> 4.5$ kW	650 mm
Multi-burner gas hob, total output $> 12.6$ kW and $\leq 21.6$ kW, no burner $> 4.8$ kW.	760 mm
Multi-burner gas hob, total output $> 21.6$ kW, or multi-burner gas hob where one burner $> 4.8$ kW.	Not possible
Single burner gas hob, output $\leq 6$ kW.	650 mm
Single burner gas hob, output $> 6$ kW and $\leq 8.1$ kW.	760 mm
Single burner gas hob, output $> 8.1$ kW	Not possible

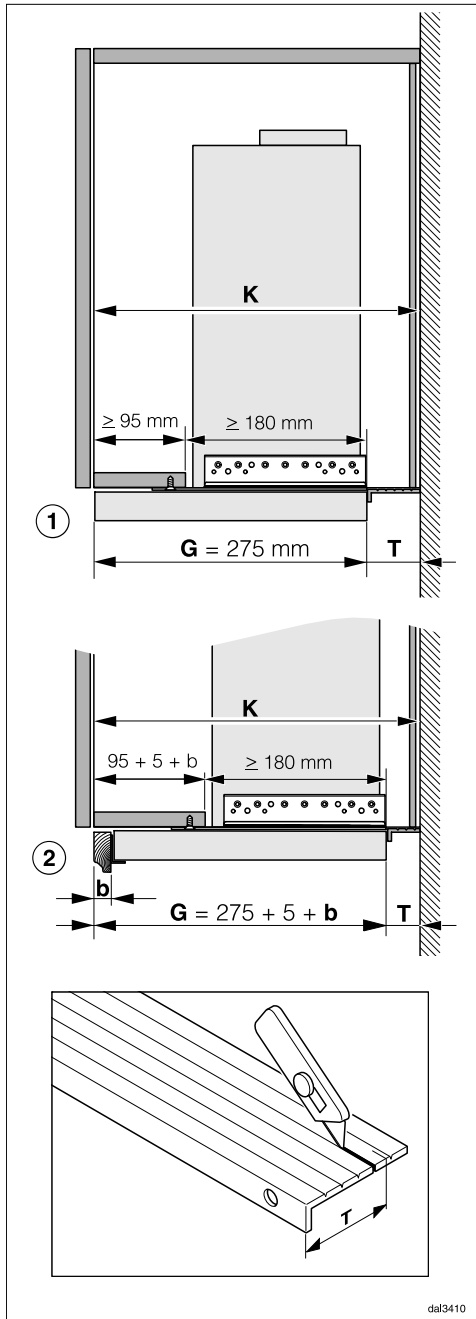
If you are fitting a front panel made of wood or plastic to the cooker hood, observe the safety distances given by the hob manufacturer regarding the use of easily flammable materials.

# Installation

---

## Installation recommendations

- To achieve optimum vapour extraction, the cooker hood must cover the hob. It should be positioned centrally over the hob, not to the side of it.
- The hob should be no wider than the cooker hood, and if possible, it should be narrower.
- The installation area must be easily accessible. The cooker hood should be easily accessible and easy to dismantle in the event that service is required. This should be taken into consideration when planning the position of cupboards, shelves, ceilings or features in the vicinity of the cooker hood.



- ① Example: Installation without a front panel fitted and with the front edge of the deflector plate flush with the front edge of the furniture housing unit. This installation needs a shelf of at least 95 mm deep.
- ② Example: Installation with a front panel to match the kitchen furniture. This installation requires dimension **b** for the front panel plus 5 mm for the DML 400 fixing bracket to be added to the shelf dimension. The shelf must be correspondingly deeper.

The remaining installation gap must be at least 180 mm in depth. If it is less than 180 mm, position the appliance further back, and reduce measurement **T** accordingly.

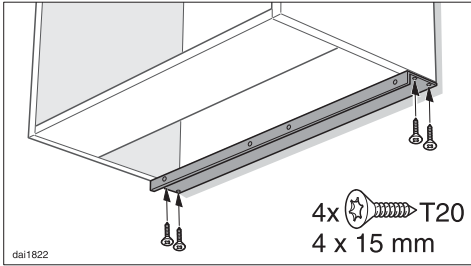
The position of the deflector plate can be adjusted in depth by a maximum of 35 mm at the front.

To position the cooker hood correctly, cut the spacer strip to the required depth **T** and then attach it to the back of the appliance:

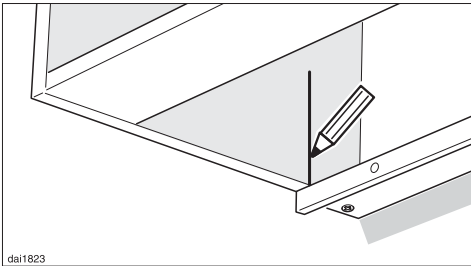
**T** = Depth of carcass **K** minus depth of appliance **G**

- Cut the spacer strip supplied to measurement **T**. Score along the groove for the **smaller** measurement as shown, and remove the surplus.

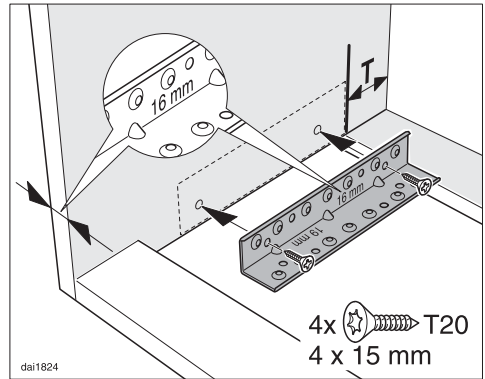
# Installation



- Secure the spacer strip underneath the housing unit sides, flush with the rear wall.

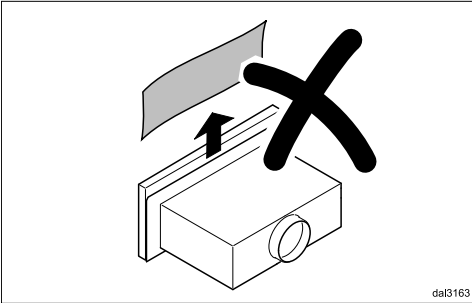


- Draw a vertical line up both inside walls of the housing from the front of the spacer strip.



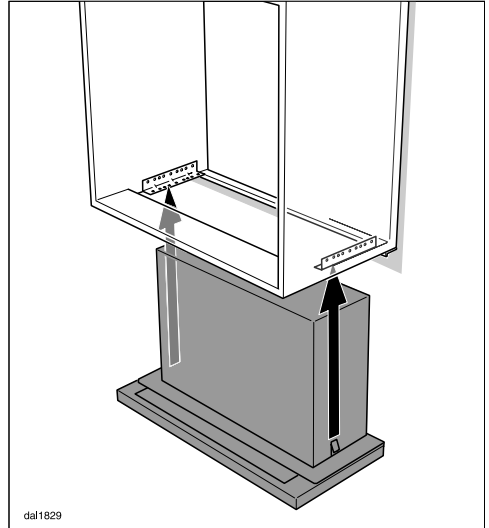
- The brackets are designed for 16 and 19 mm thick unit sides. Orientate the bracket so that the vertical depth matches the thickness of the unit side. Screw the brackets onto the right and left inside walls of the housing unit as shown. The back edge of the bracket should align with the vertical line drawn up from the front of the spacer strip and the lower edge should align with the lower edge of the housing unit side wall.



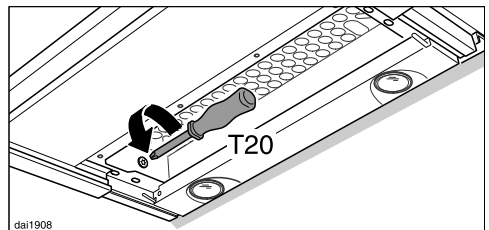


To avoid scratching the deflector plate, do not remove the protective film between the deflector plate and the casing until the hood has been placed in the housing unit.

- Installation of the cooker hood is carried out without the grease filter placed in position. If the grease filter has already been fitted, then it should be removed (see "Cleaning and care").

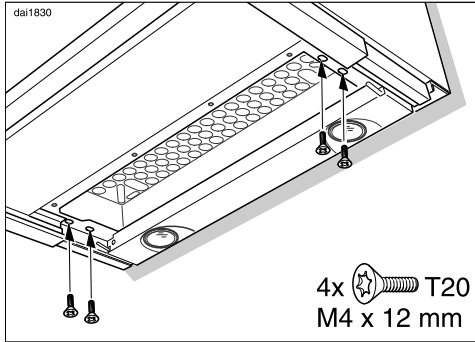


- Lift the appliance up into the housing from below until the spring mounts at the side engage in the brackets.
- Push the cooker hood back against the spacer strip.

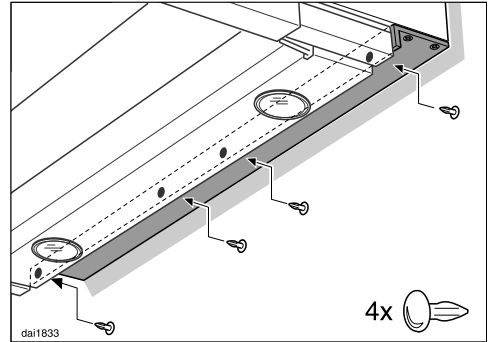


- Note for dismantling the cooker hood: Undoing the screws on the left and right inside the housing releases the spring mounts allowing the appliance to be removed from the unit.

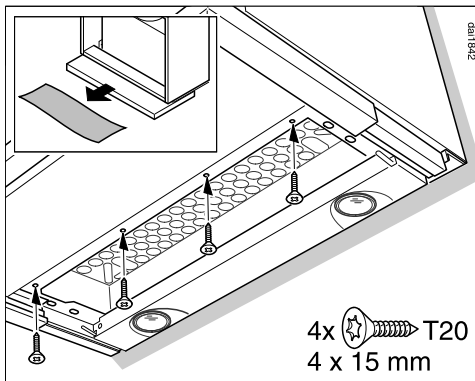
# Installation



- Secure the cooker hood to the brackets from below using two screws on each side.



- Secure the spacer strip to the back of the appliance from behind using 4 plastic rivets as shown.



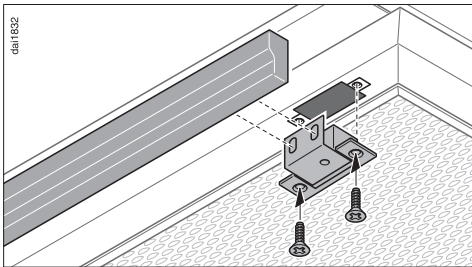
- Pull out the deflector plate and remove the protective film between the deflector plate and the casing.
- Secure the cooker hood to the floor of the housing unit from below using 4 screws (6 screws are required for a 90 cm wide cooker hood).

To avoid damaging the deflector plate when it is pulled out, care should be taken to screw the fixing screws in straight and to ensure that the screwheads are countersunk.

## Attaching the front panel

The front of the deflector plate can be fitted with a front panel to match existing kitchen furniture units. The front panel must not exceed 1300 g. This applies to front panels with a depth of up to 30 mm. For larger and heavier front panels, the weight must be reduced by e.g. machining it away at the back.

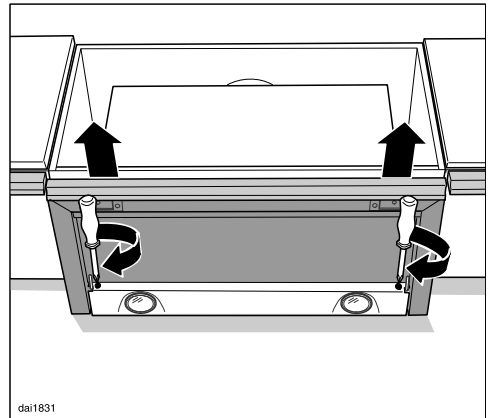
A DML 400 installation kit, available as an optional accessory, is required for this.



- Follow the installation instructions supplied.

## Aligning the deflector plate

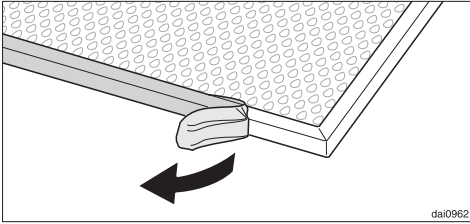
The position of the deflector plate can be brought forward by up to 35 mm using the adjusting screws on either side of the deflector plate. This allows the deflector plate to be aligned to the front of the kitchen furniture units on either side.



- Use a screwdriver to align the deflector plate correctly.

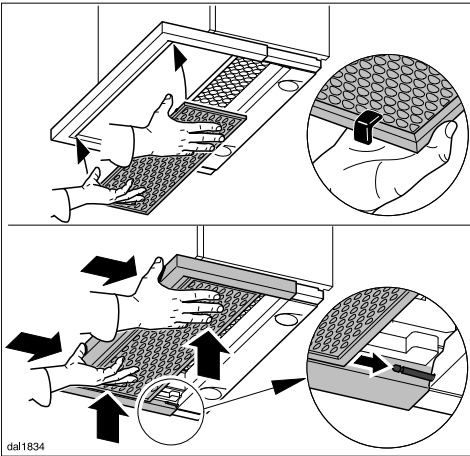
# Installation

## Fitting the grease filter



dai0962

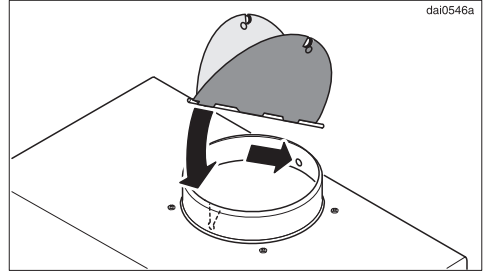
- Remove the protective foil around the edge of the grease filter.



dai1834

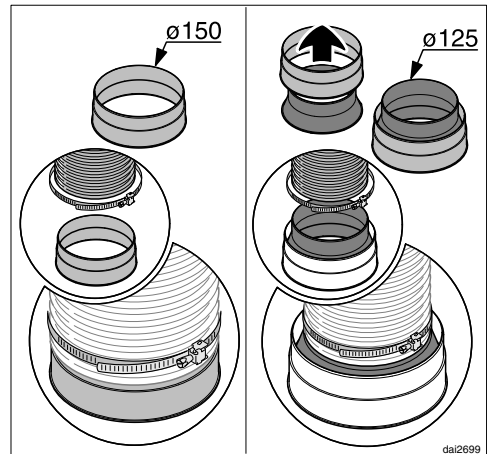
- When fitting the grease filter, make sure that the red plastic guides are at the front and facing upwards.
- Replace the grease filter in the front of the deflector plate, press it upwards and push it in together with the deflector plate. It will slide onto the retaining pins at the back. Finally, push the grease filter back a little more.

## Exhaust socket



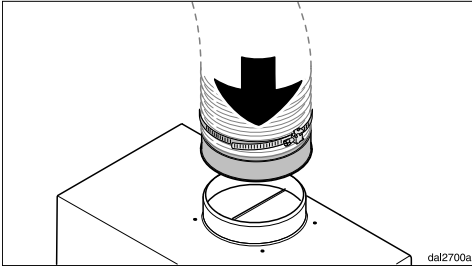
dai0546a

- Insert the non-return flap, if required. Make sure that it opens easily and closes again by itself.



dai2699

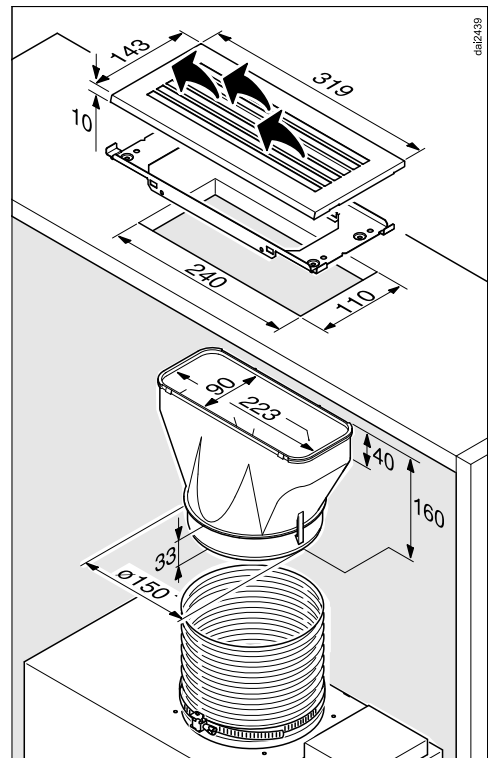
- Attach the exhaust ducting, e.g. flexible hose, to the exhaust socket using a hose clip (available as an optional accessory). When using  $\varnothing$  125 mm ducting, fit the reducing collar supplied into the exhaust socket (see "Connection for air extraction").



- Attach the exhaust ducting to the exhaust socket on the cooker hood.
- See "Connection for air extraction" for further instructions on fitting the ducting.

## Setting up for recirculation mode

If site conditions are not suitable for the cooker hood to be used with air extraction, the appliance must be set up for recirculation. Conversion kit DUU 151, available through your dealer or from Miele, is required for operating the cooker hood in recirculation mode. You will also need a charcoal filter (see "Technical data").



- Fit the conversion kit as described in the installation instructions supplied with the kit. Make sure that the slats in the exhaust grille point towards the centre of the room and not towards a

# Installation

---

wall or the ceiling.

A non-return flap is not used in recirculation mode.

- Fit the charcoal filter (see "Cleaning and care").

## Electrical connection

Refer to the notes in "Electrical connection" and "Warning and Safety instructions" before connecting to the electricity supply.

- Connect the cooker hood to the electricity supply.

All electrical work should be undertaken by a suitably qualified and competent person in strict accordance with current national and local safety regulations (BS 7671 in the UK).

Installation, repairs and other work by unqualified persons could be dangerous, for which the manufacturer cannot be held liable. Ensure power is not supplied to the appliance until after installation or repair work has been carried out. Do not connect the appliance to the mains electricity supply by an extension lead. These do not guarantee the required safety of the appliance.

**The connection data is given on the data plate.** This is visible when the grease filters have been removed. Ensure that this data matches the household mains supply.

Connection of this appliance should be made via a suitable isolator or a double pole fused spur connection unit which complies with national and local safety regulations and the On-Off switch should be easily accessible after the appliance has been built in. When switched off there must be an all-pole contact gap of 3 mm in the switch (including switch, fuses and relays according to EN 60335).

If the switch is not accessible after installation (depending on country), an additional means of disconnection must be provided for all poles.

For extra safety it is advisable to protect the appliance with a suitable residual current device (RCD). Contact a qualified electrician for advice.

### Important

This appliance is supplied for connection to an a.c. 230 V single phase 50 Hz supply. The wires in the mains lead are coloured in accordance with the following code:

Green/yellow .....earth  
Blue.....neutral  
Brown .....live

**WARNING:  
THIS APPLIANCE MUST BE  
EARTHED**

# Connection for air extraction

**⚠** If this cooker hood is used at the same time as a heating appliance that relies on oxygen from the same room there is a risk in certain circumstances of toxic fumes building up.

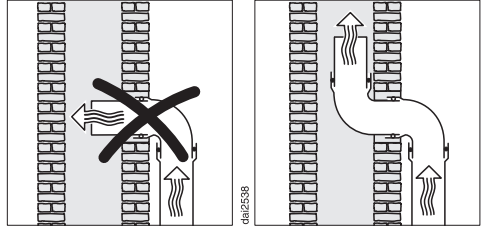
It is essential that the "Warning and Safety" instructions are observed.

The cooker hood should be installed according to local and national building regulations. Seek approval from the building inspector where necessary.

- Use smooth or flexible ducting made from approved non-flammable materials for exhaust ducting.
- To achieve the most efficient air extraction with the lowest noise levels, please note the following:
  - To ensure efficient air extraction, the diameter of the exhaust ducting should not be less than 150 mm.
  - If flat ducting is being used, the cross section must not be smaller than the cross sectional area of the exhaust connection.
  - The exhaust ducting should be as short and straight as possible.
  - Only use wide radius bends.
  - The exhaust ducting must not be kinked or compressed.
  - Ensure that all connections are strong and airtight.

Remember that any constriction of the air flow will reduce extraction performance and increase operating noise.

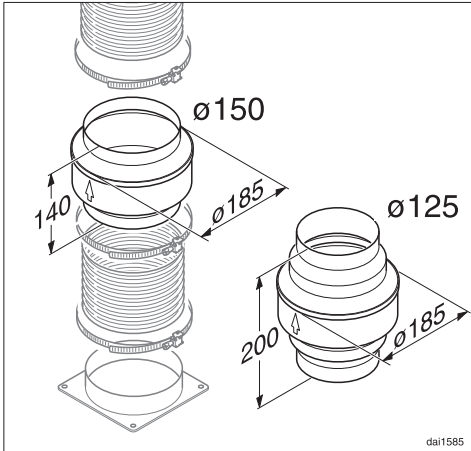
- If the exhaust is ducted through an outside wall, a telescopic wall vent or a roof vent (available as an optional accessory) is recommended.



- If the exhaust air is to be ducted into a flue, the ducting must be directed in the flow direction of the flue.
- When ducting is horizontal it must be laid to slope away at at least 1 cm per metre. This is to ensure that condensate cannot drain back into the appliance.
- If the exhaust ducting is to run through rooms, ceiling space etc. where there may be great variations in temperature between the different areas, the problem of condensation will need to be addressed. The exhaust ducting will need to be suitably insulated.



## Condensate trap

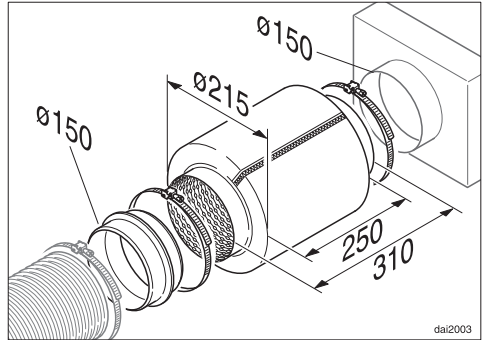


In addition to insulating the exhaust ducting, we recommend that a suitable condensate trap is also installed to collect and evaporate any condensate which may occur.

Condensate traps for 125 mm or 150 mm ducting are available as optional accessories.

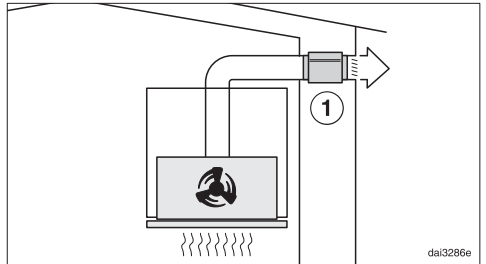
- When installing a condensate trap, ensure that it is positioned vertically and as closely as possible above the exhaust socket. The arrow on the housing indicates the direction of air-flow.

## Silencer



To achieve even further reductions in noise levels, a special silencer (optional accessory) can be fitted in the ducting system.

## Extraction mode

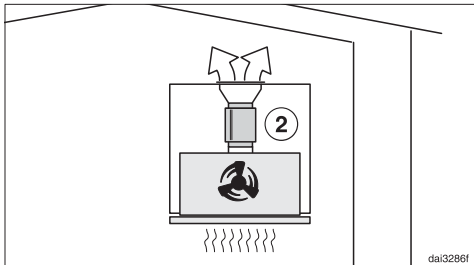


The silencer not only reduces noise from the motor outside the house, but also sounds from outside (e.g. traffic noise). For this reason the silencer must be positioned as close as possible to the ducting exit ①.

# Connection for air extraction

---

## Recirculation mode



The silencer needs to be positioned between the exhaust socket and the exhaust grille ②. Ensure there is adequate space for fitting it.

## Technical data

Fan motor	110 W
Hob lighting	2 x 3 W
Total connected load	116 W
Voltage, frequency	AC 230 V, 50 Hz
Fuse rating	5 A
Mains connection cable length	1.5 m
Weight	12 kg

Special accessories for recirculation mode:  
Conversion kit DUU 151 and charcoal filter DKF 13-1.

# Technical data

## Data sheet for domestic cooker hoods

In acc. with delegated regulation (EU) No. 65/2014 and regulation (EU) No. 66/2014

<b>MIELE</b>	
<b>Model name / identifier</b>	DA 3366
Annual Energy Consumption ( $AEC_{hood}$ )	61,4 kWh/year
Energy efficiency class	
A+ (most efficient) to F (least efficient)	C
Energy efficiency index ( $EEl_{hood}$ )	80,5
Fluid Dynamic Efficiency ( $FDE_{hood}$ )	14,2
Fluid Dynamic Efficiency class	
A (most efficient) to G (least efficient)	D
Lighting Efficiency ( $LE_{hood}$ )	53,3 lx/W
Lighting Efficiency class	
A (most efficient) to G (least efficient)	A
Grease Filtering Efficiency	89,0 %
Grease Filtering Efficiency class	
A (most efficient) to G (least efficient)	B
Airflow at best efficiency point	246,8 m <sup>3</sup> /h
Air flow (min. speed)	150 m <sup>3</sup> /h
Air flow (max. speed)	320 m <sup>3</sup> /h
Air flow (intensive or boost setting)	430 m <sup>3</sup> /h
Max. air flow ( $Q_{max}$ )	430 m <sup>3</sup> /h
Air pressure at best efficiency point	217 Pa
Airborne acoustical A-weighted sound power emissions (min. speed)	44 dB
Airborne acoustical A-weighted sound power emissions (max. speed)	51 dB
Airborne acoustical A-weighted sound power emissions (intensive or boost setting)	58 dB
Electrical power input at best efficiency point	105,0 W
Power consumption in off mode ( $P_o$ )	0,00 W
Power consumption in standby mode ( $P_s$ )	W
Nominal power of lighting system	6,0 W
Average illumination of the lighting system on the cooking surface	320 lx
Time increase factor	1,5





## United Kingdom

Miele Co. Ltd.  
Fairacres, Marcham Road  
Abingdon, Oxon, OX14 1TW  
Customer Contact Centre Tel: 0330 160 6600  
E-mail: mielecare@miele.co.uk  
Internet: www.miele.co.uk

## Australia

Miele Australia Pty. Ltd.  
ACN 005 635 398  
ABN 96 005 635 398  
1 Gilbert Park Drive, Knoxfield, VIC 3180  
Tel: 1300 464 353  
Internet: www.miele.com.au

## China

Miele (Shanghai) Trading Ltd.  
1-3 Floor, No. 82 Shi Men Yi Road  
Jing' an District  
200040 Shanghai, PRC  
Tel: +86 21 6157 3500, Fax: +86 21 6157 3511  
E-mail: info@miele.cn, Internet: www.miele.cn

## Miele (Hong Kong) Limited

41/F - 4101, Manhattan Place  
23 Wang Tai Road  
Kowloon Bay, Hong Kong  
Tel: (852) 2610 1331, Fax: (852)2610 1013  
Email: mielehk@miele.com.hk

## India

Miele India Pvt. Ltd.  
Ground Floor, Copia Corporate Suites  
Plot No. 9, Jasola  
New Delhi - 110025  
Tel: 011-46 900 000, Fax: 011-46 900 001  
E-mail: customercare@miele.in, Internet: www.miele.in

## Ireland

Miele Ireland Ltd.  
2024 Bianconi Avenue  
Citywest Business Campus, Dublin 24  
Tel: (01) 461 07 10, Fax: (01) 461 07 97  
E-Mail: info@miele.ie, Internet: www.miele.ie

## Manufacturer: Miele & Cie. KG

Carl-Miele-Straße 29, 33332 Gütersloh, Germany

# Miele

## Malaysia

Miele Sdn Bhd  
Suite 12-2, Level 12  
Menara Sapura Kencana Petroleum  
Solaris Dutamas No. 1, Jalan Dutamas 1  
50480 Kuala Lumpur, Malaysia  
Phone: +603-6209-0288  
Fax: +603-6205-3768

## New Zealand

Miele New Zealand Limited  
IRD 98 463 631  
Level 2, 10 College Hill  
Freemans Bay, Auckland 1011, NZ  
Tel: 0800 464 353  
Internet: www.miele.co.nz

## Singapore

Miele Pte. Ltd.  
163 Penang Road  
# 04 - 03 Winsland House II  
Singapore 238463  
Tel: +65 6735 1191, Fax: +65 6735 1161  
E-Mail: info@miele.com.sg  
Internet: www.miele.sg

## South Africa

Miele (Pty) Ltd  
63 Peter Place, Bryanston 2194  
P.O. Box 69434, Bryanston 2021  
Tel: (011) 875 9000, Fax: (011) 875 9035  
E-mail: info@miele.co.za  
Internet: www.miele.co.za

## United Arab Emirates

Miele Appliances Ltd.  
P.O. Box 11 47 82  
Gold & Diamond Park, Sheikh Zayed Road  
Building 6 / Offices Nos. 6-214 to 6-220  
Dubai  
Tel: +971-4-341 84 44  
Fax: +971-4-341 88 52  
E-Mail: info@miele.ae  
Internet: www.miele.ae

DA 3366



en-GB

M.-Nr. 10 093 460 / 01