

John Lewis

Alpha single child compliant bed

Stock number white: 803 50401

Stock number grey: 803 50203



H100 W96.5 D196.5cm

Thank you for purchasing the Alpha single bed. Please read the instructions and warnings carefully before use, to ensure safe and satisfactory operation of this product.

At John Lewis, we are committed to making great products possible.

From our in-house Design Team, to our Buyers, we work together to bring great design to life.

Our expert Product Technologists work collaboratively with our buyers and suppliers to assure the legality, safety and quality of the product we sell.

We are all committed to designing and developing products to the highest industry standards.

We hope you are happy with your product and welcome any feedback or comments you may have.

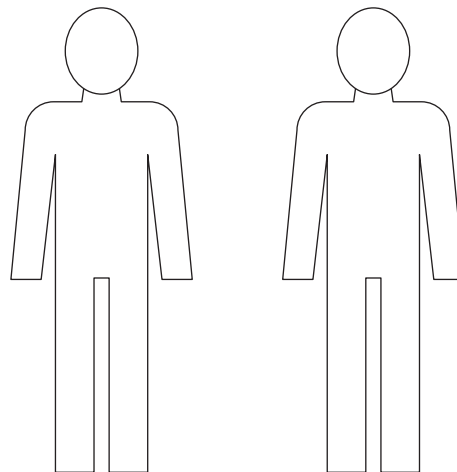
The John Lewis Team

No tools required

Time to assemble

40 Minutes

People to assemble



Important safety information

Warnings

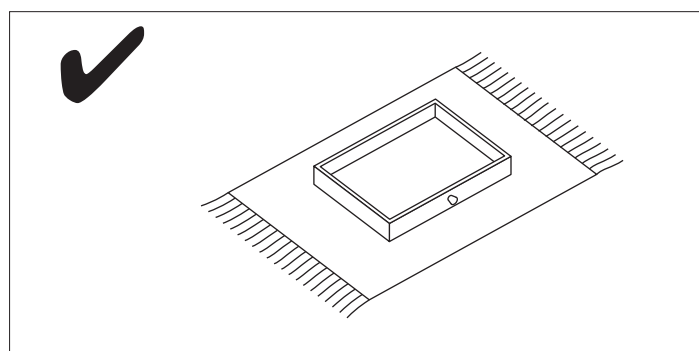
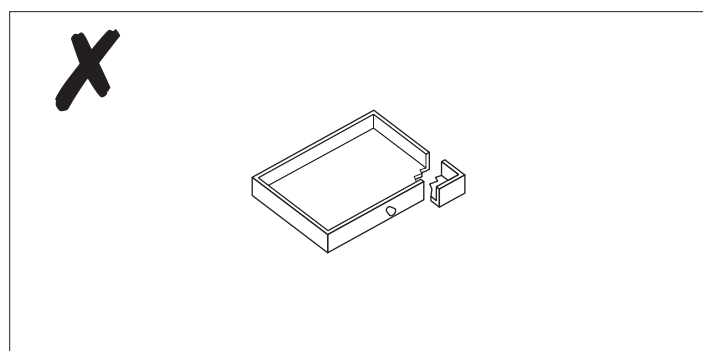
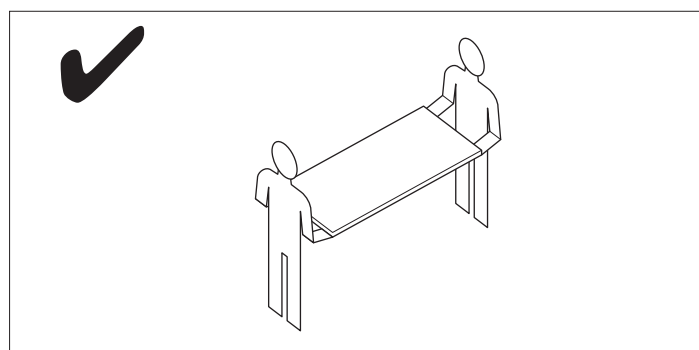
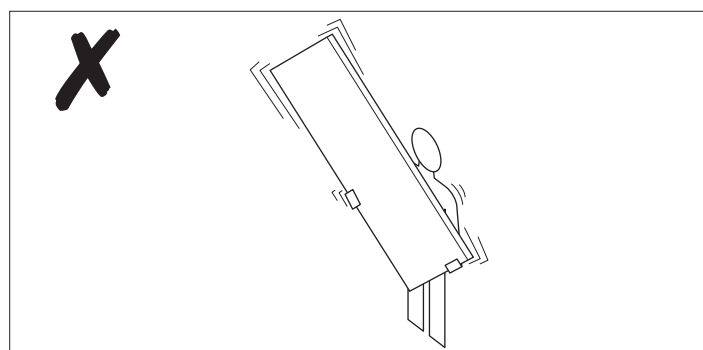
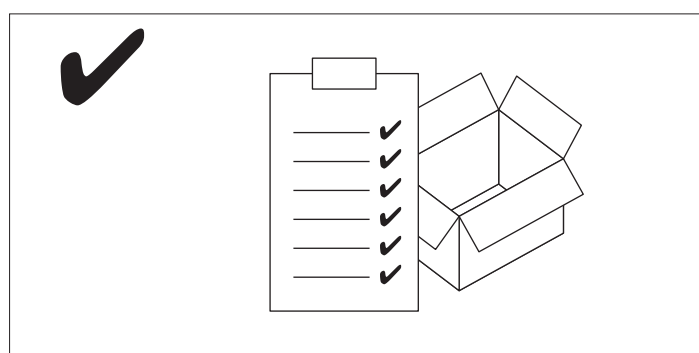
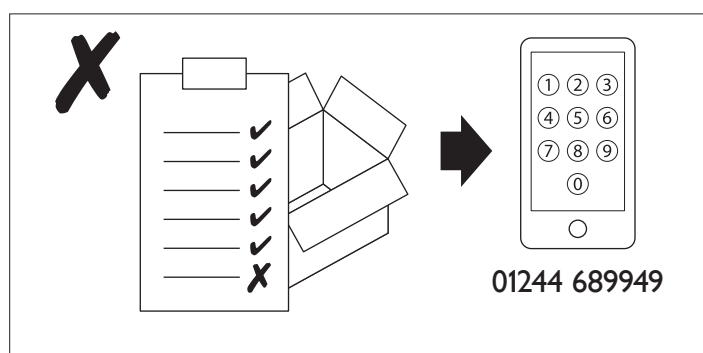
- ⚠ The product should only be used on firm, level ground.
- ⚠ Keep small parts out of reach of children.
- ⚠ Ensure the product is fully assembled as illustrated before use.

Do's

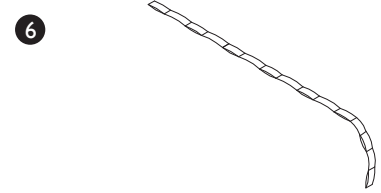
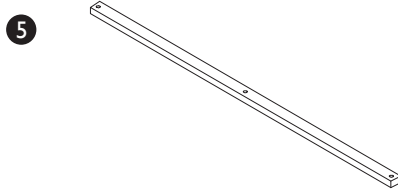
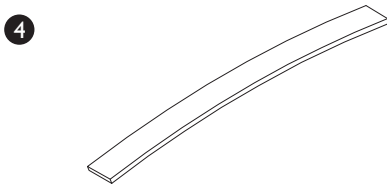
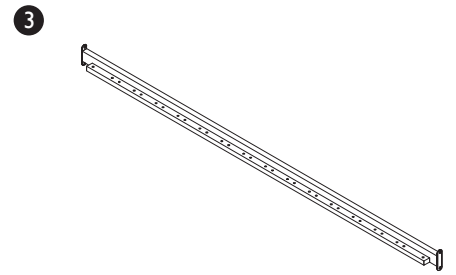
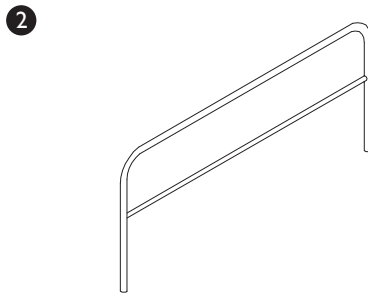
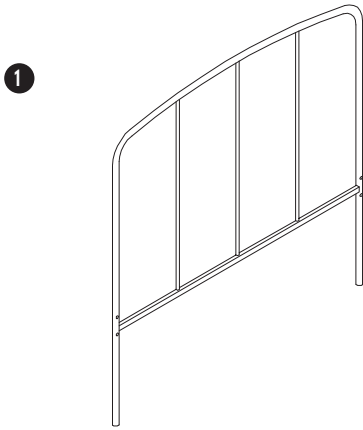
- ✓ Check the pack and make sure you have all the parts listed.
- ✓ Check all screws or bolts are tightened and inspect regularly.
- ✓ Make sure the legs remain in contact with the ground at all times.

Don'ts

- ✗ Do not over tighten screws or bolts.
- ✗ Do not stand on the product.
- ✗ Do not use power tools to construct as overtightening and panel failure may occur.

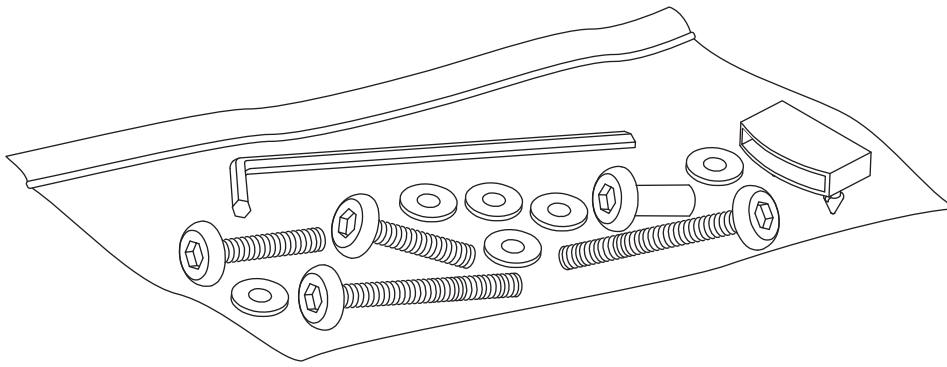


Your bed

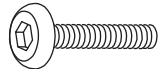
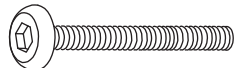


Ref	Description	Qty
1	Headboard	1
2	Footboard	1
3	Side rails	2
4	Slats	15
5	Cross bars	2
6	Fabric strap	1


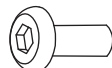


Fixtures and fittings



Fixtures and fittings
supplied (actual size)

Ref	Description	Dimensions	Qty	mm
A	JCBC bolt	M6 x 20mm	8	
B	JCBC bolt	M6 x 30mm	4	

Fixtures and fittings
supplied (not actual size)

Ref	Description	Qty	
C	Washer	8	
D	M6 JCN nut	4	
E	Slat cap	30	
F	M4 Allen key	2	

Product assembly

Alpha single child compliant bed

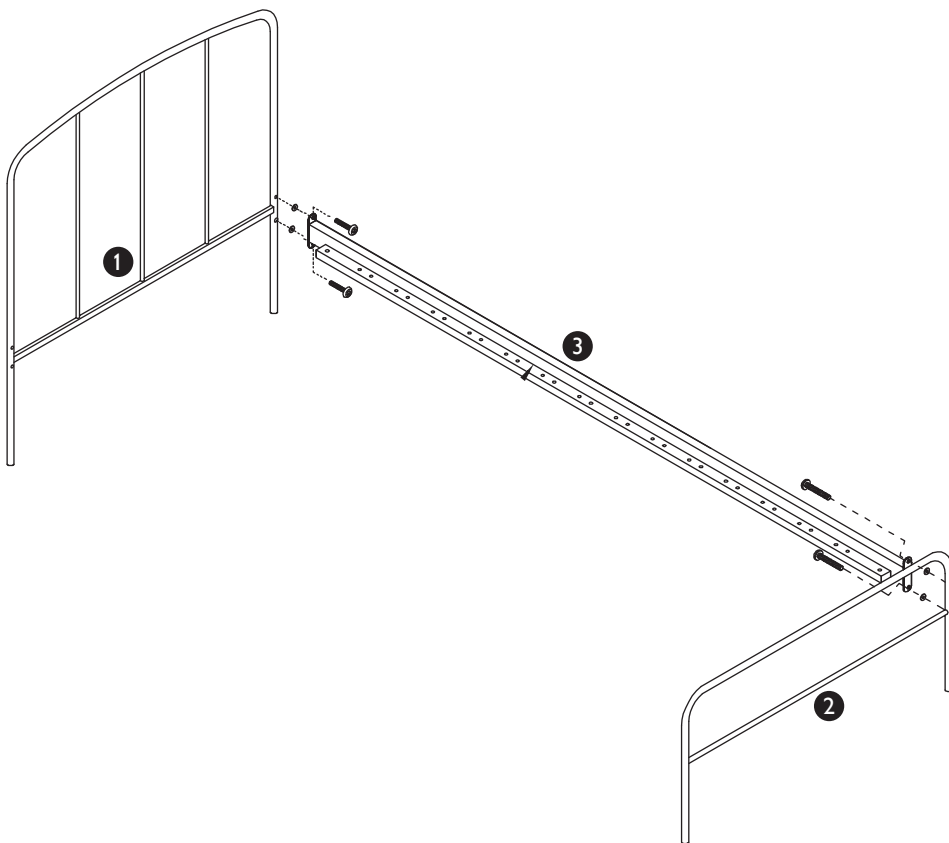
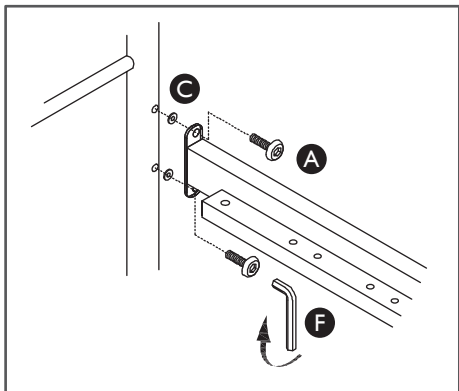
803 50401

803 50203

Step 1

Parts, fittings and tools

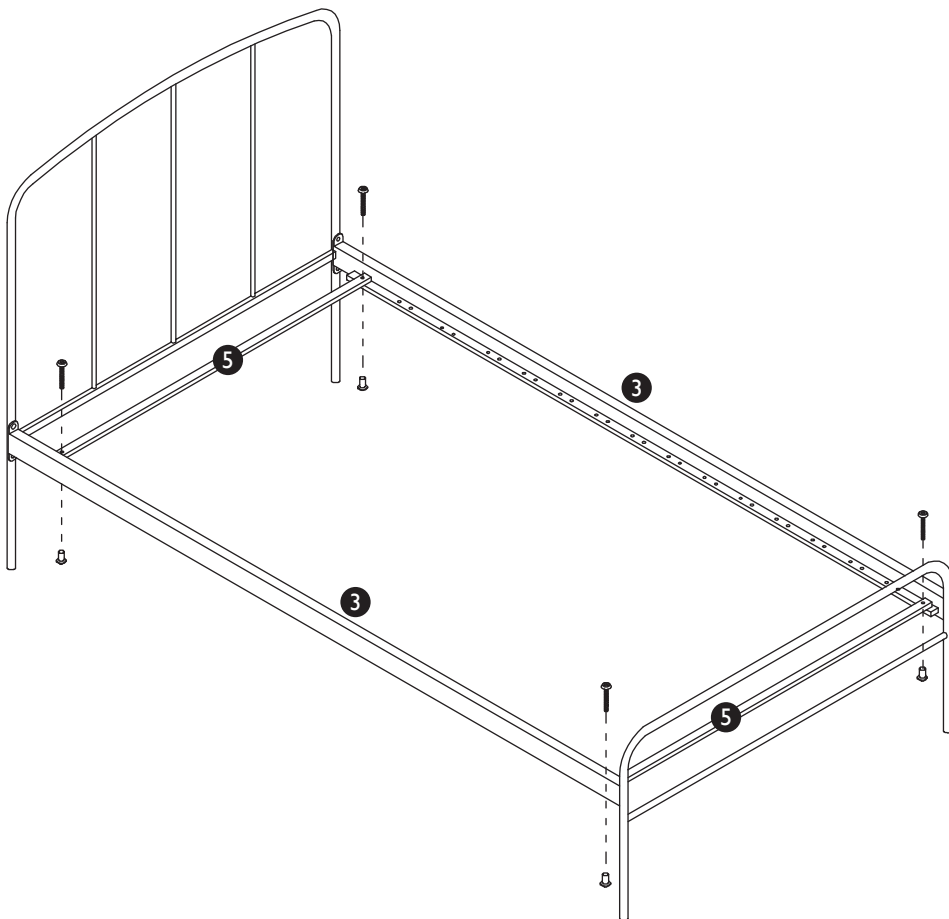
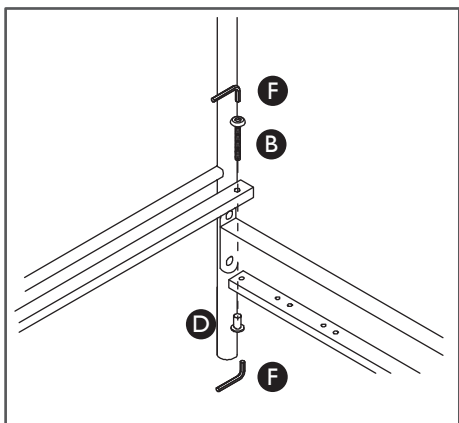
1 2 3 A C F



Step 2

Parts, fittings and tools

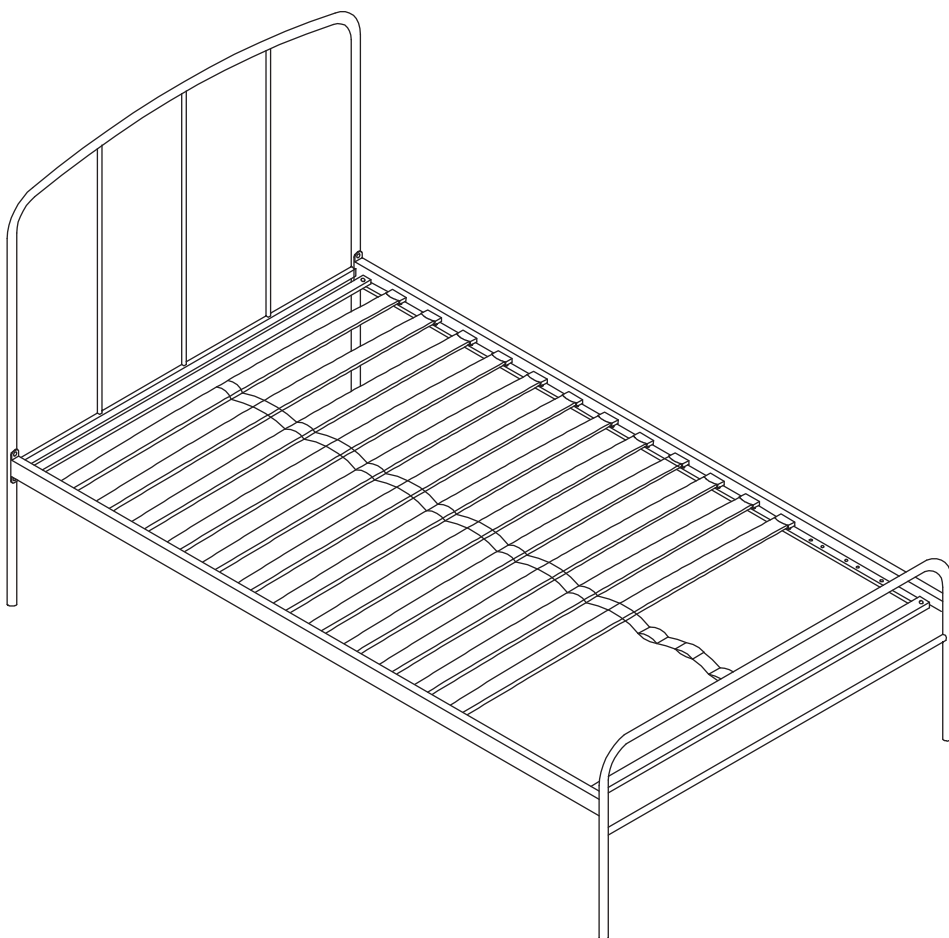
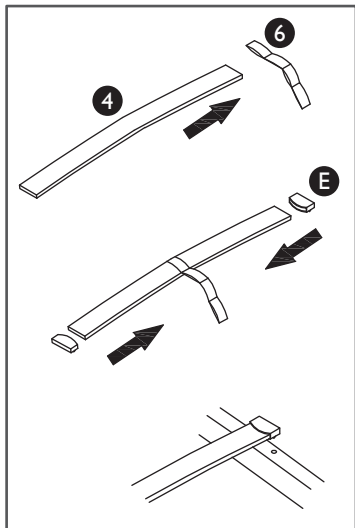
3 5 B D F



Step 3

Parts, fittings and tools

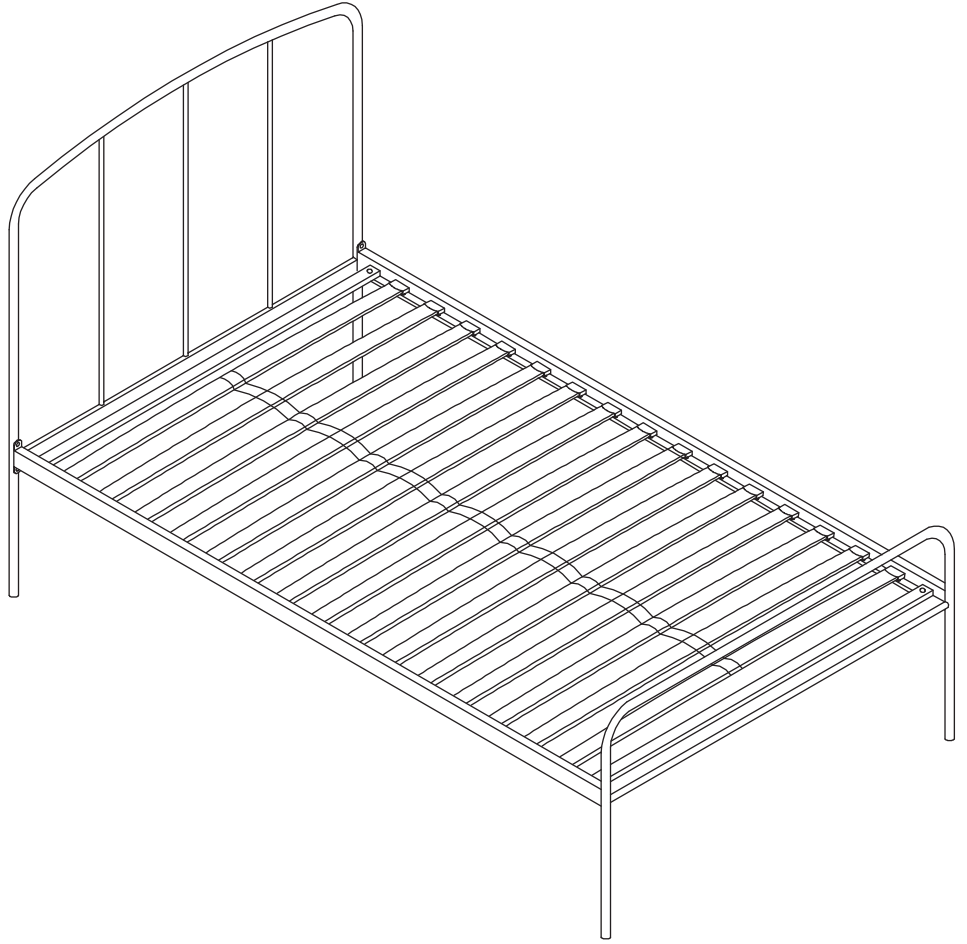
4 6 E



Alpha single child compliant bed
803 50401
803 50203

Step 4

Ready to use



IMPORTANT! PLEASE KEEP THESE INSTRUCTIONS FOR FUTURE REFERENCE

Care guide

Care and maintenance

Metal Furniture

A slightly damp cloth is the best cleaning agent for your Alpha bedstead.
Do not use any abrasive cleaner or harsh detergent as this can damage the surface.

Safety instructions

Never drag furniture when moving it. Always lift it.
Periodically check all fixings to ensure none have come loose and re-tighten where necessary.
Please take care when handling or moving the furniture as careless handling may cause damage or injury.
Furniture can be dangerous if incorrectly installed. Assembly should be carried out by a competent person. No liability will be accepted for damage or injury caused by incorrectly installed or assembled furniture.
During assembly children should be kept away from the product due to possible risk of injury.
Do not use this item if any components are missing or damaged.
It is recommended that before moving heavy objects to a new location they are completely dis-assembled to avoid personal injury or damage to the furniture. Please be careful to retain all fittings when doing this.

Children are likely to play, bounce, jump and climb on furniture, therefore the furniture should not be placed too close to other furniture or windows, blind cords, curtain pulls or other strings or cords and should be placed either tight to any wall or have a gap of 300mm between the wall and the side of the bed.

This product complies with BS 8509:2008+A1:2011 and BS EN 1725:1998.

This bed is for use with a standard single size mattress L190 x W90 x H18cm.

WARNING: Not suitable for children under 4 years old.

WARNING: Do not place this child's bed near heat sources, windows and other furniture.

WARNING: Do not use this child's bed if any part is broken, torn or missing.

If you require any additional information or have any issues with this product please call the John Lewis helpline on 03456 049 049.

If you require spare parts or further technical assistance please call 01244 689949 or email mail@fwgroup-uk.com.

Retain these instructions for future reference.