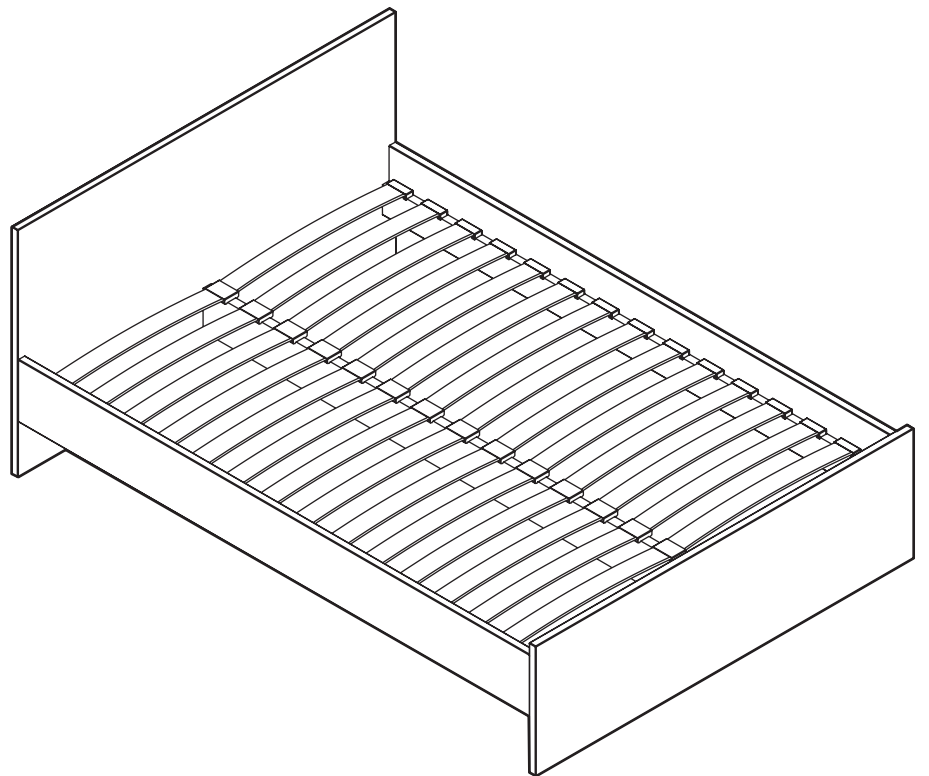


John Lewis

Felix Bedstead Oak 135

Stock Number: 80345602



H80 W141,4 D196 cm

Thank you for purchasing the Felix Bedstead Oak I35. Please read the instructions and warnings carefully before use, to ensure safe and satisfactory operation of this product.

At John Lewis, we are committed to making great product possible.

From our in-house Design Team, to our Buyers, we work together to bring great design to life.

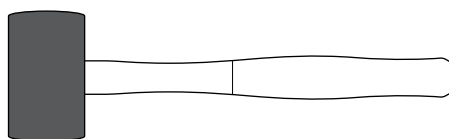
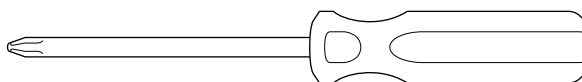
Our expert Product Technologists work collaboratively with our buyers and suppliers to assure the legality, safety and quality of the product we sell.

We are all committed to designing and developing products to the highest industry standards.

We hope you are happy with your product and welcome any feedback or comments you may have.

The John Lewis Team

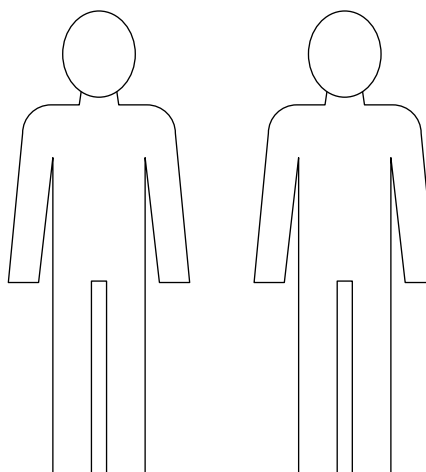
Tools Required



Time to assemble

1 Hours

People to assemble



Important safety information

Warnings

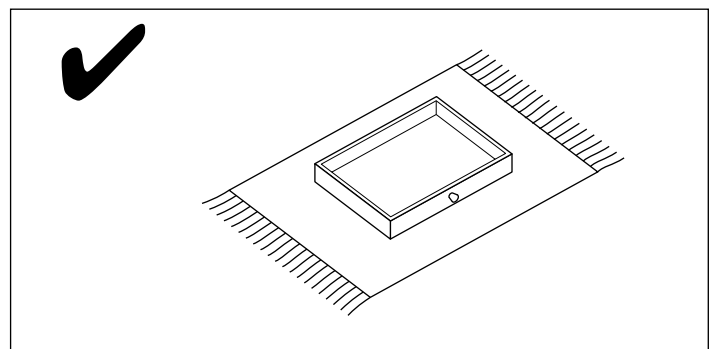
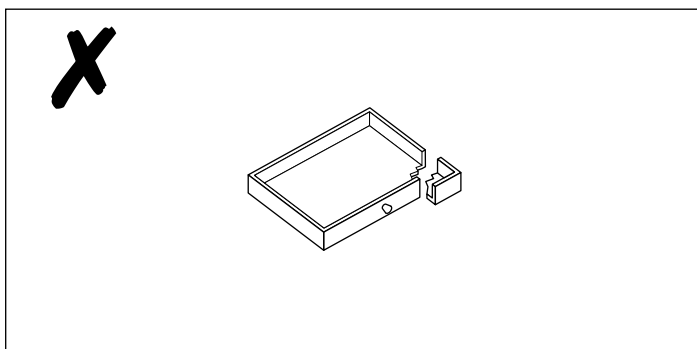
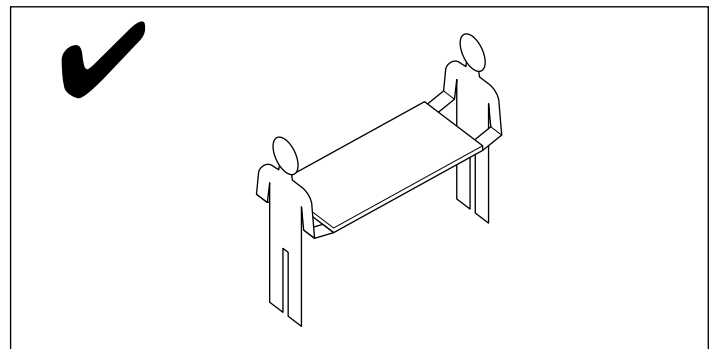
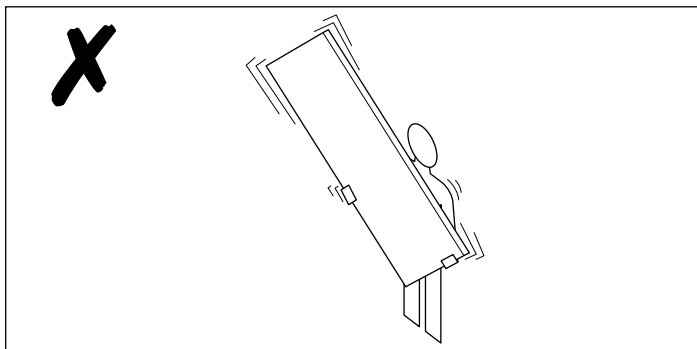
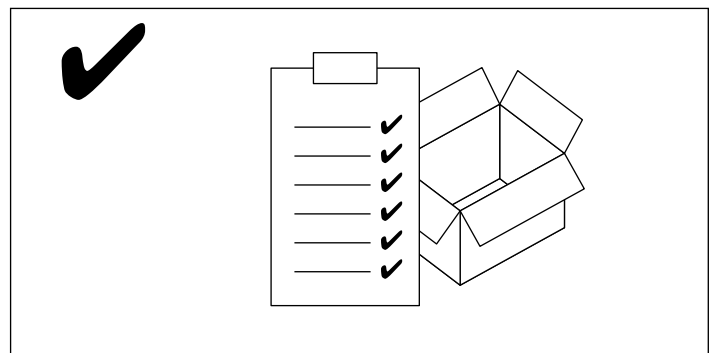
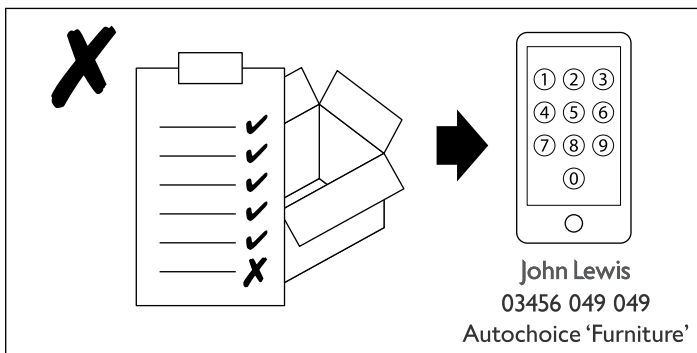
- ⚠ The product should only be used on firm, level ground.
- ⚠ Keep small parts out of reach of children.
- ⚠ Ensure the product is fully assembled as illustrated before use.

Do's

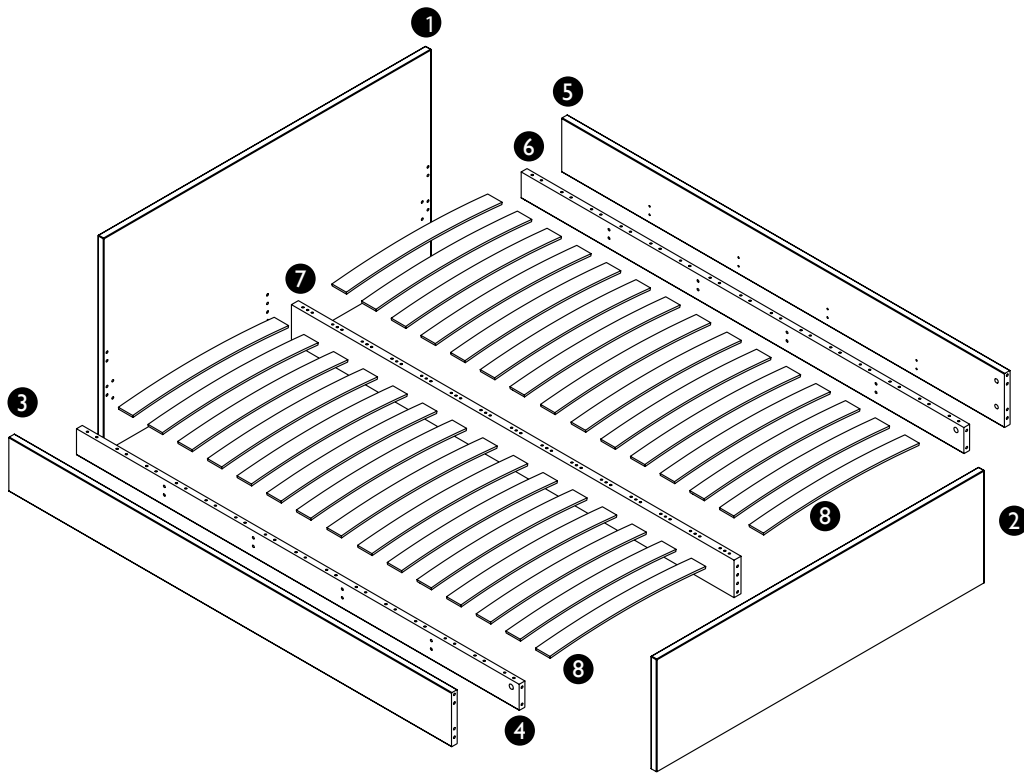
- ✓ Check the pack and make sure you have all the parts listed.
- ✓ Check all screws or bolts are tightened and inspect regularly.
- ✓ Make sure the legs remain in contact with the ground at all times.

Don'ts

- ✗ Do not over tighten screws or bolts.
- ✗ Do not stand on the product.
- ✗ Do not use power tools to construct as overtightening and panel failure may occur.



Your Bedstead



Ref	Cod.	Description	Dimensions	Qty
1	TE0441	Headboard	1414mm x 800mm x 25mm	1
2	PE0226	Footboard	1414mm x 420mm x 25mm	1
3	FS3074	L/H Side Panel	1910mm x 202mm x 25mm	1
4	FS3084	L Side Panel	1910mm x 98mm x 25mm	1
5	FS3073	R/H Side Panel	1910mm x 202mm x 25mm	1
6	FS3084	R Side Panel	1910mm x 98mm x 25mm	1
7	FS3085	Middle Panel	1910mm x 140mm x 30mm	1
8	FW0533	Slat	62mm x 8mm x 670mm	30

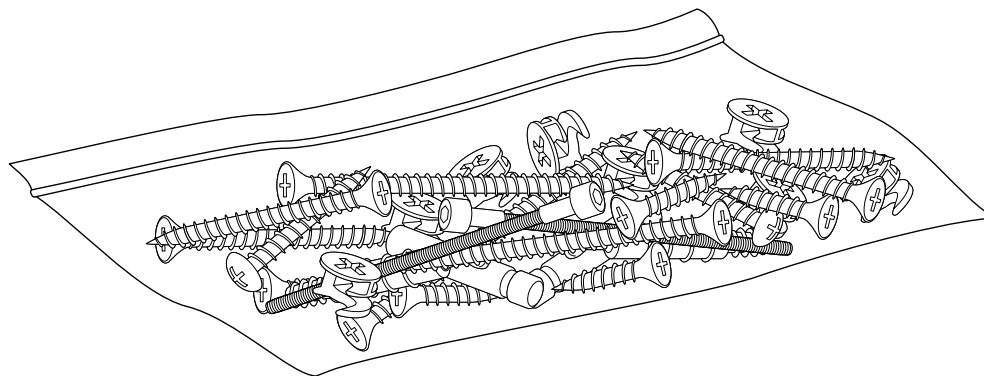
Internal dimensions

Stock number: 80345602




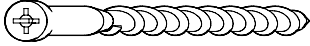

Bedside overall size: H80cm W141,4cm D196cm

Internal bedside overall size: H10cm W136cm D191cm




Fixtures and fittings



Fixtures and fittings
supplied (actual size)

Ref	Cod.	Description	Dimensions	Qty	mm 0 10 20 30 40 50 60 70
A	FT0092	Cam Heads	15mm x 17mm	6	
B	FT0028	Cam rods	7mm x 45mm	6	
C	FH0001	Wooden Dowels	8mm x 30mm	20	
D	FV0131	Screw	6.3mm x 40mm	16	
E	FV0057	Screw	6.3mm x 50mm	6	

Fixtures and fittings
supplied (not actual size)

Ref	Cod.	Description	Dimensions	Qty	
G	FP0006	Foot	53mm x 15mm x 13.5mm	6	
H	FW0531	Slat Cap	74mm x 27mm x 30mm	30	
I	FW0532	Slat Cap	74mm x 27mm x 52mm	30	

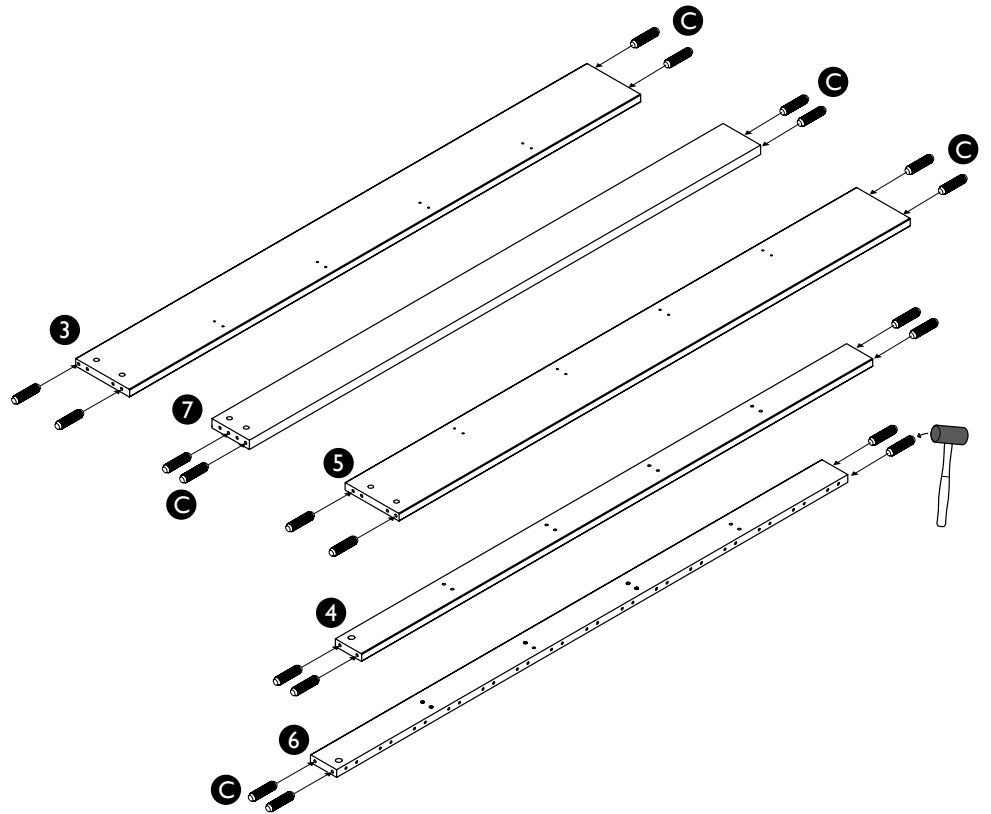
Product Assembly

Felix Bedstead Oak 135
80345602

Step 1

Parts, fixing and tools

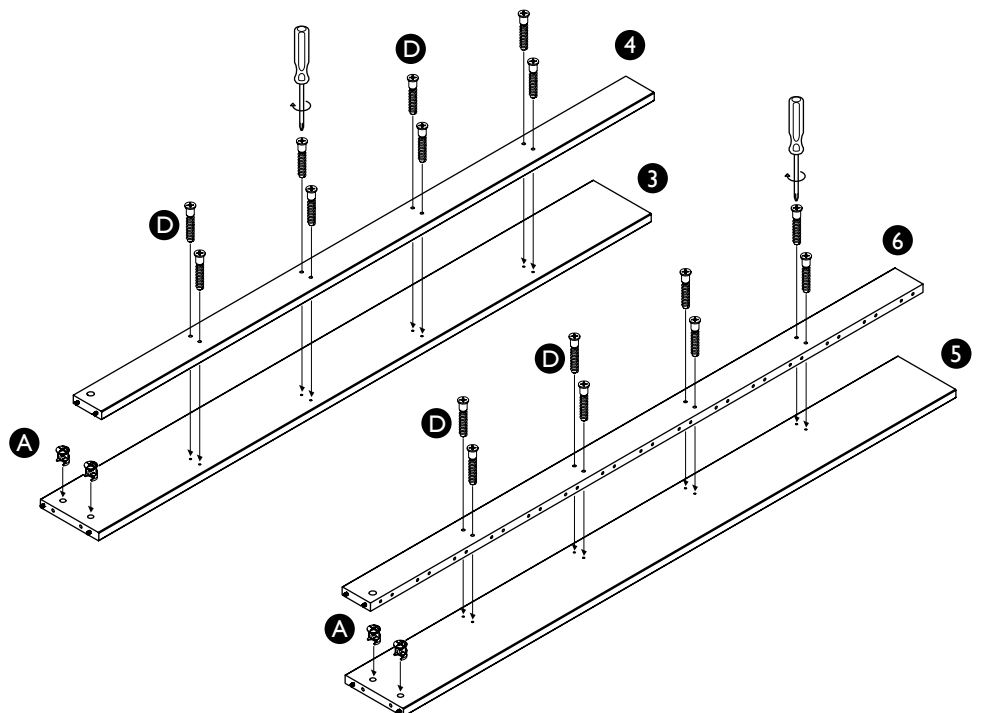
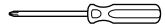
C **3** **4** **5** **6** **7**



Step 2

Parts, fixing and tools

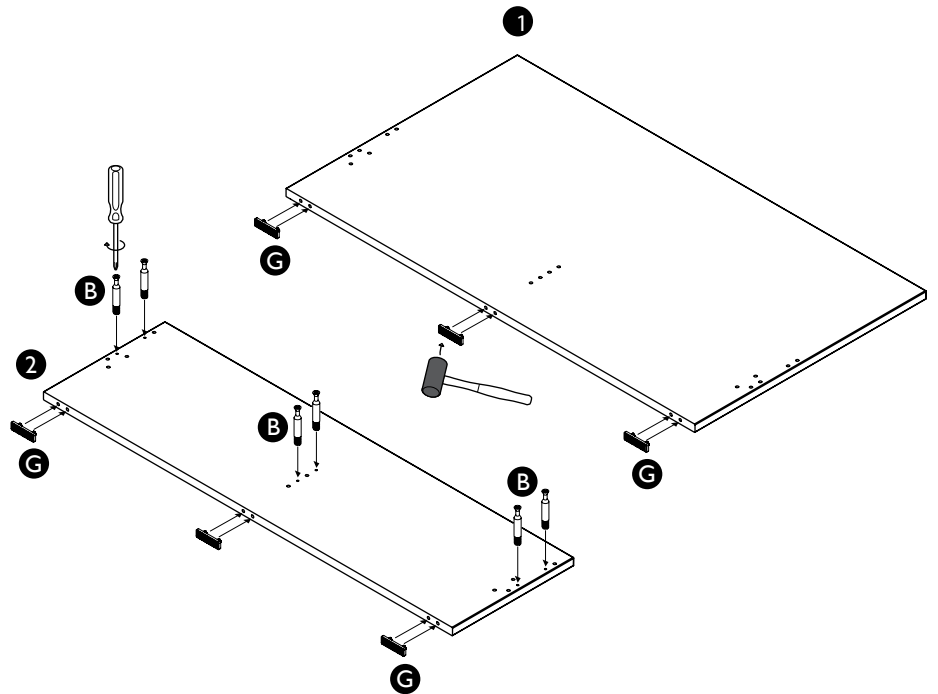
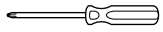
A **D** **3** **4** **5** **6**



Step 3

Parts, fixing and tools

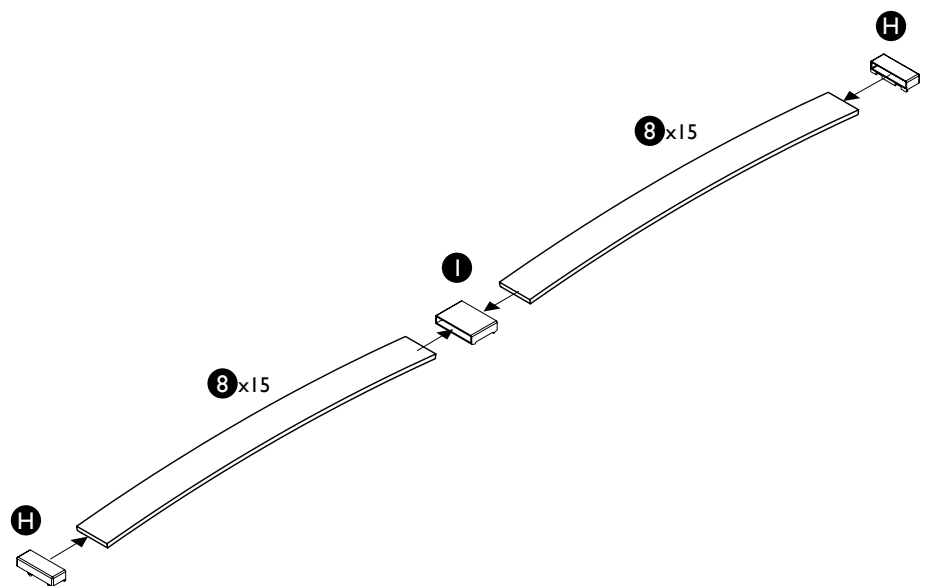
B **G** **1** **2**



Step 4

Parts, fixing and tools

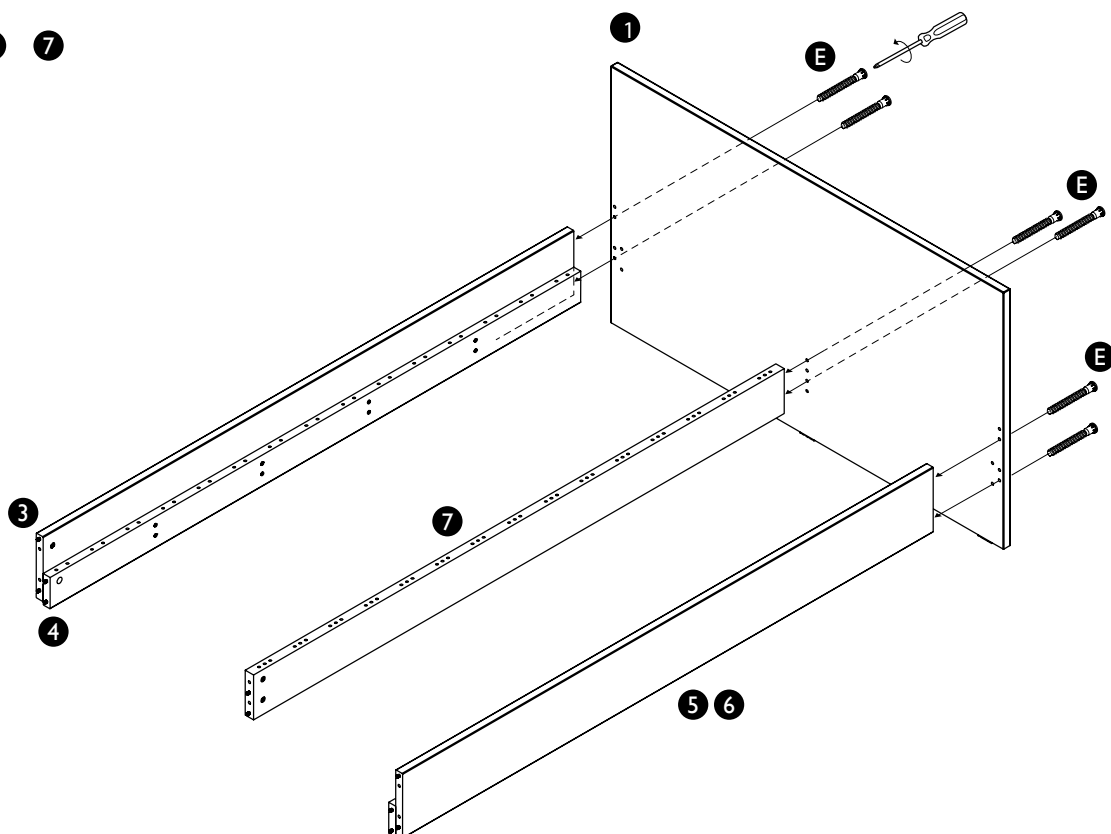
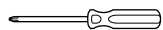
H **I** **8**



Step 5

Parts, fixing and tools

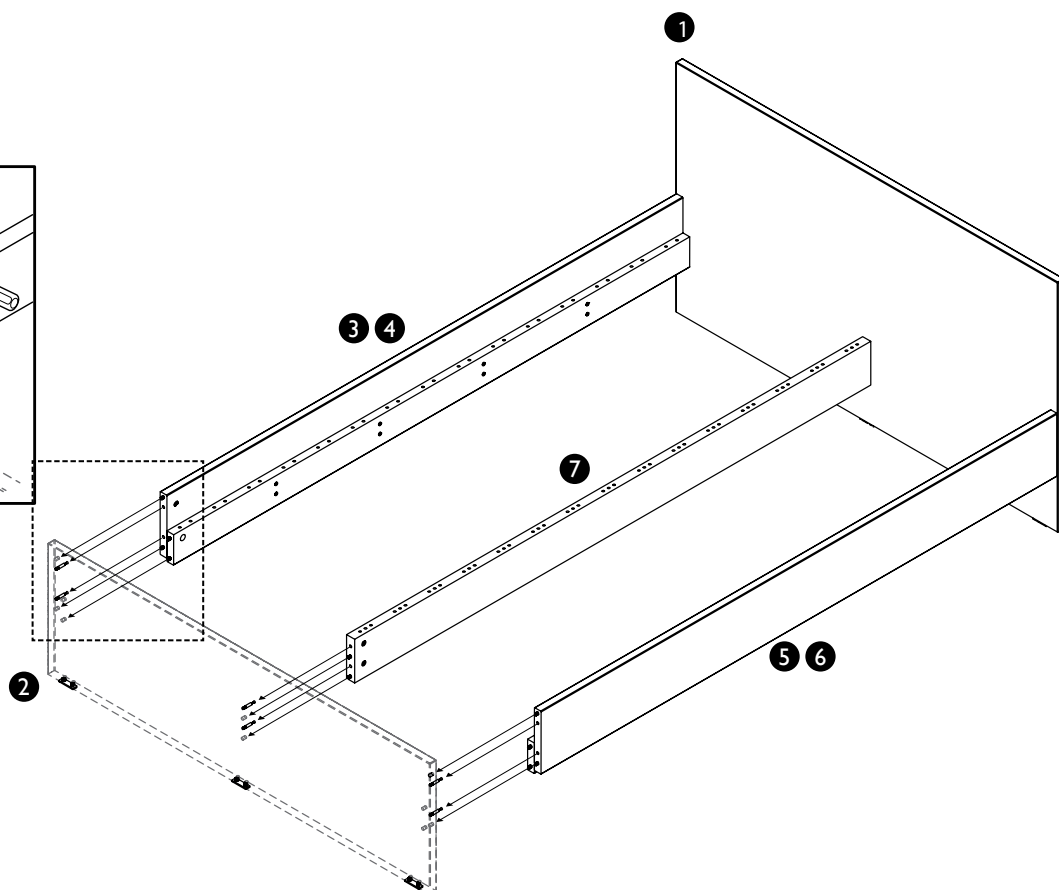
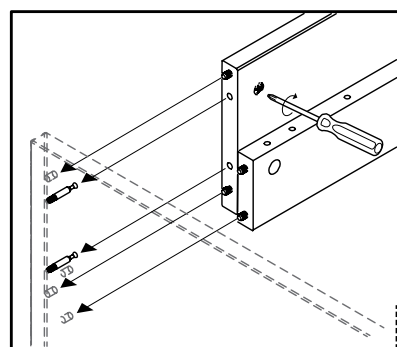
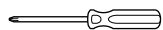
E **1** **3** **4** **5** **6** **7**



Step 6

Parts, fixing and tools

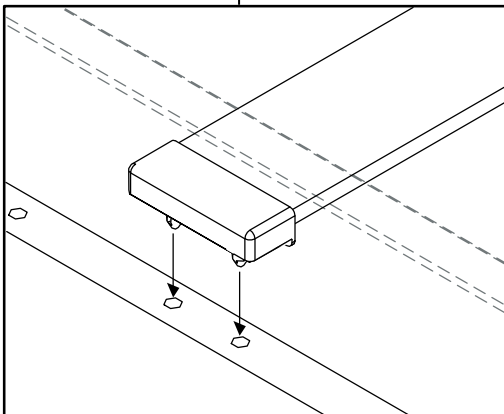
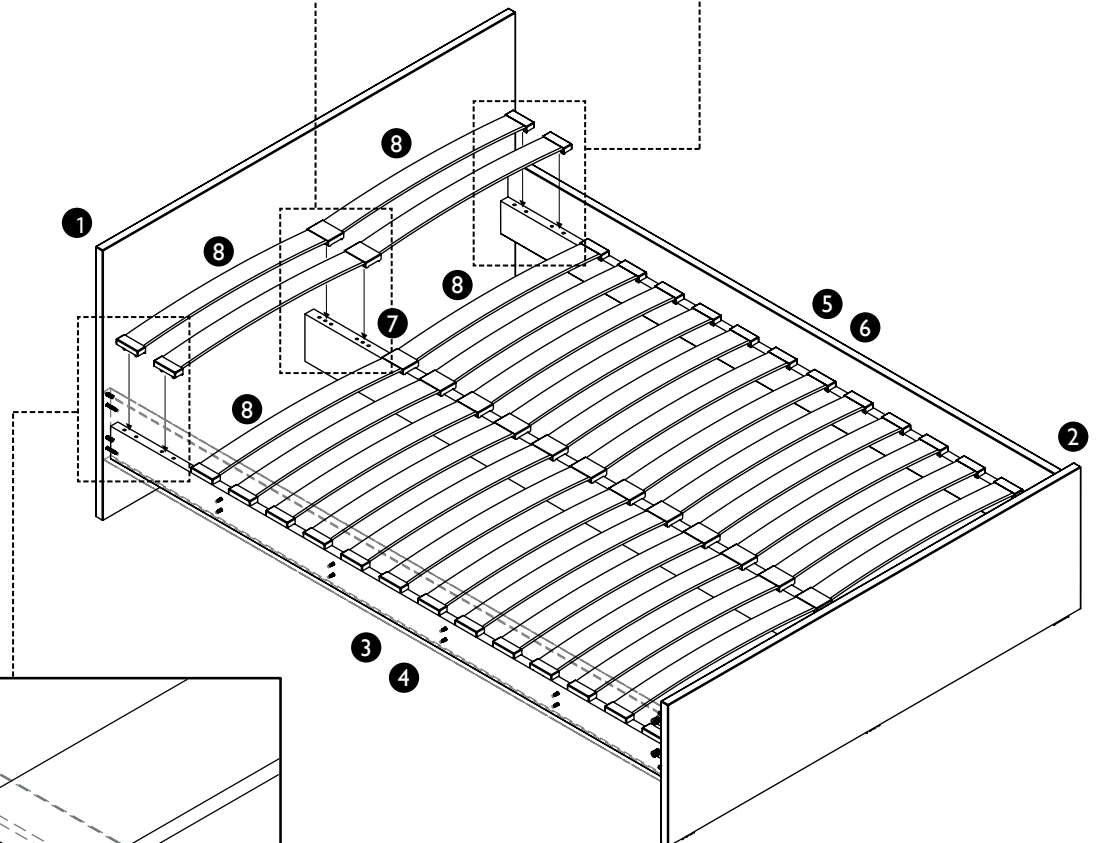
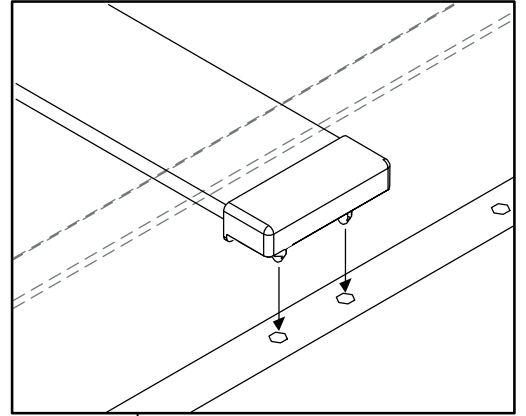
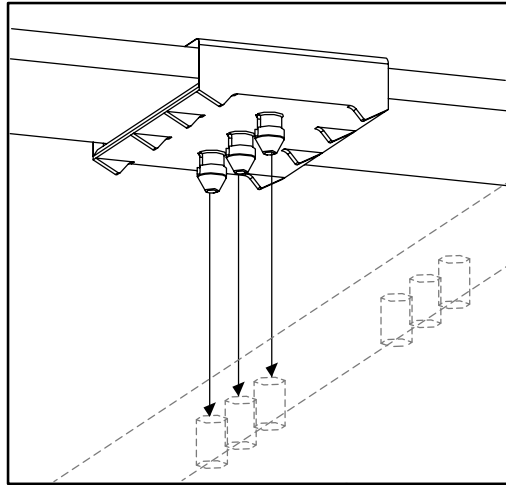
2



Step 7

Parts, fixing and tools

- H
- I
- 8
- 4
- 6



IMPORTANT! KEEP FOR FUTURE REFERENCE

Care and Maintenance

How to care your furniture

Clean with a soft cloth dampened slightly with a neutral non-foaming detergent.

Do not use aggressive or abrasive chemical products.

Do not immerse in water and do not leave damp after cleaning.

Do not use plastic or metal tools that could scratch the surface.

Keep the product out of direct contact with liquid substances and/or sources of heat, and use it in a cool, dry environment .

Put the product to the use for which it was designed and created.

Safety Instruction

Never drag furniture when moving it, always lift it.

Periodically check all fitting to ensure none have come loose and retighten when necessary.

Please take care when handling or moving the furniture as careless handling may cause damage or injury.

Furniture can be dangerous if incorrectly installed. Assembly should be carried out by a competent person.

No liability will be accepted for damage or injury caused by incorrectly installed or assembled furniture.

Children are likely to play, bounce, jump and climb on beds, therefore the child's bed should not be placed too close to other furniture or windows, blind cords, curtain pulls or other strings or cords, and should be placed either tight to any wall or have a gap of 300 mm between the wall and the side of the bed.

About the Bed

Name: Felix Bedstead Oak 135

Code: 80345602

Mattress size: 135x190 cm

It is possible to obtain from the distributor any additional or replacement part.

The bed is designed to be dismantled for storage or transportation.

This child's bed conforms to BS EN 1725:1998

WARNING!

Do not place this child's bed near heat sources, windows and other furniture.

WARNING!

Do not use this child's bed if any part is broken, torn or missing.

WARNING!

Not suitable for children under 4 years.

John Lewis Partnership

171 Victoria Street

London SW1E5NN

Johnlewis.com