

Rollo Ilt Wall Light

Installation Instructions

Thank you for purchasing this Wall light fitting. Please read the instructions carefully before use to ensure safe and satisfactory operation of this product.

Please keep these instructions for future reference

Warnings!

This is a Class I product and must be earthed.

Please read these instructions carefully before commencing any work. It is recommended that this fitting is installed by a qualified electrician.

Install in accordance with the IEE Wiring regulations and the Building Regulations.

To prevent electrocution switch off at mains supply before installing or maintaining this fitting. Ensure other persons cannot restore the electrical supply without your knowledge. If you are in any doubt, please consult a qualified electrician.

This light fitting should be connected to a 5 amp fused circuit.

If replacing an existing fitting, make a note of the connections.

Always use the correct type and wattage bulb. Never exceed the wattage stated.

When changing a bulb, always switch off at the mains and allow the old bulb to cool down before handling.

Dispose of used bulbs carefully.

This product is suitable for indoor use only, on normal flammable surfaces, as indicated by this symbol.



Please Note:

This product is suitable for use with a dimmer switch.

Siting Instructions



THIS LIGHT GIVES A CONCENTRATED BEAM OF LIGHT AND MUST NOT BE POSITIONED ANY CLOSER THAN 0.5M (50CM) TO THE ILLUMINATED SURFACE.

Fixing Instructions

Make sure you have the following items which are required to install this light fitting:

Small electrical screwdriver, cross head screwdriver & insulation tape.

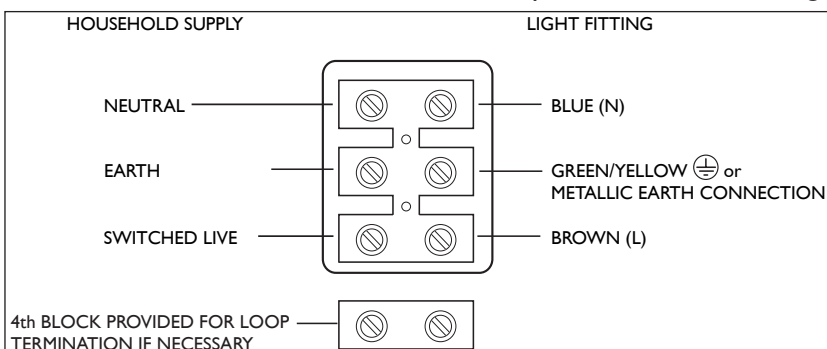
The installation of this fitting will be much easier with the help of an assistant.

Step 1

Before removing the existing fitting, **carefully note the position of each set of wires.** Where a ring/loop circuit exists there will be a fourth set of wires (usually red) that are not connected to the L, N, or E. of the fitting. This circuit must be kept together in the 4th terminal of the connection block, and insulated from the fitting and the other wires. **The ring/loop will remain live unless isolated at the mains or circuit breaker regardless of the position of the wall switch.**

Step 2

Remove the glass plate from the wall back. Having identified the household wiring from your existing light fitting, connect to the connection block inside the product in the following way:



Check that.....

You have correctly identified the house wires.
The connections are tight.
No loose strands have been left out of the connection block.

Step 3

When completed, ensure that there are no bare or loose strands of wire exposed, and cover all exposed areas of the connection block with 2 layers of insulation tape.

Step 4

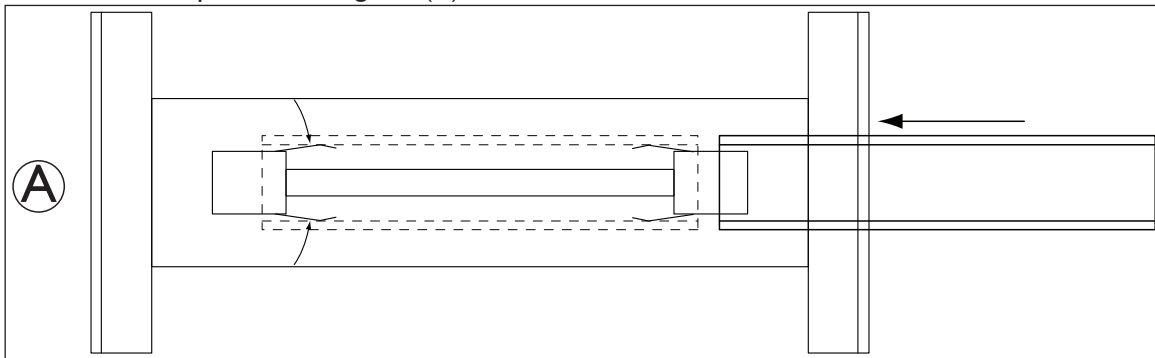
Attach the wall back to the wall using the screws and wall plugs provided, ensure product is up the correct way. The wall back has two small tabs that the glass shade must sit on, these must be at the bottom of the wall back when it is fixed to the wall. Take care to avoid damaging any concealed wiring and pipes.

Fitting/Replacing the bulbs

Bulb type - 120w Max R7s Tungsten bulb.

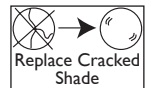
When changing a bulb, always switch off at the mains and allow the bulb to cool before handling. Dispose of used bulbs carefully. Do not exceed the wattage stated or use a different shape bulb from that indicated on the fitting. Use a soft cloth to handle bulbs, avoid directly touching the bulbs as this will shorten their life.

Ensure glass protector is always placed over 120W bulb. To fit the glass protector simply slide the glass shade over the metal ends of the lampholders. Diagram (A)



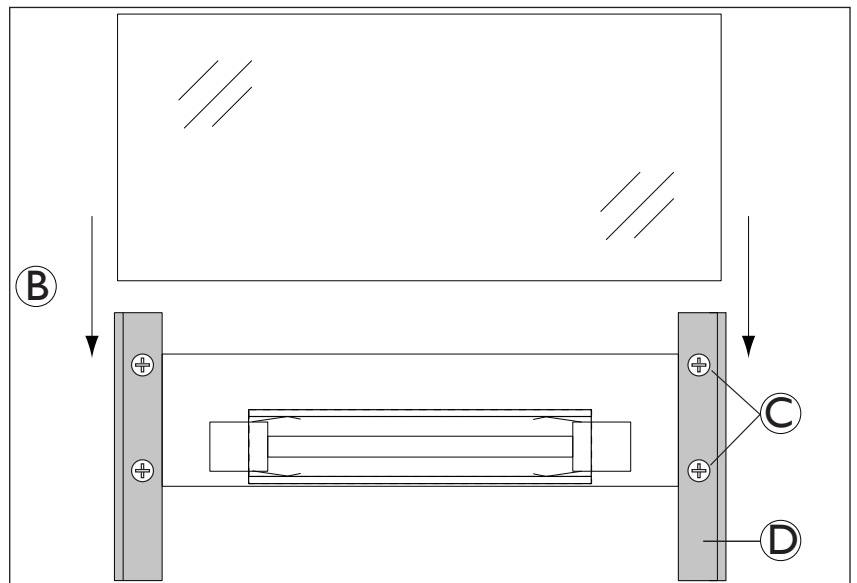
Glass Protector

The glass protector must be replaced if it becomes cracked or damaged. Do not use product without the glass protector in place.



Step 5

Re-fit the glass plate into the wall back carefully by sliding into side slots. Diagram (B). Metal sides (D) must be adjusted to secure the glass safely by adjusting screws (C).



Step 6

Replace fuse or circuit breaker and switch on. Your light is now ready for use.

Care and cleaning

Finish - We recommend cleaning with a soft dry cloth. Do not use abrasive materials as these will damage the finish.
Glass parts - Remove and wash in warm water or just use a damp cloth. Do not use abrasive materials as these will damage the finish.

Safety Information

For your safety, always switch off the supply before changing lightbulbs, cleaning or removing shades.

We have taken great care to ensure that this product reaches you in perfect condition. However, should any parts be damaged or missing please contact our Product Helpline on (01202) 690945. We will despatch to you, within 7 working days, your missing/damaged part. When phoning please ensure you have the following information available: Name and Address, Daytime Telephone Number, Store and Date of Purchase, Product Reference (inside ceiling cover or on box label), Description of Missing/Damaged Part. This does not affect your statutory rights.