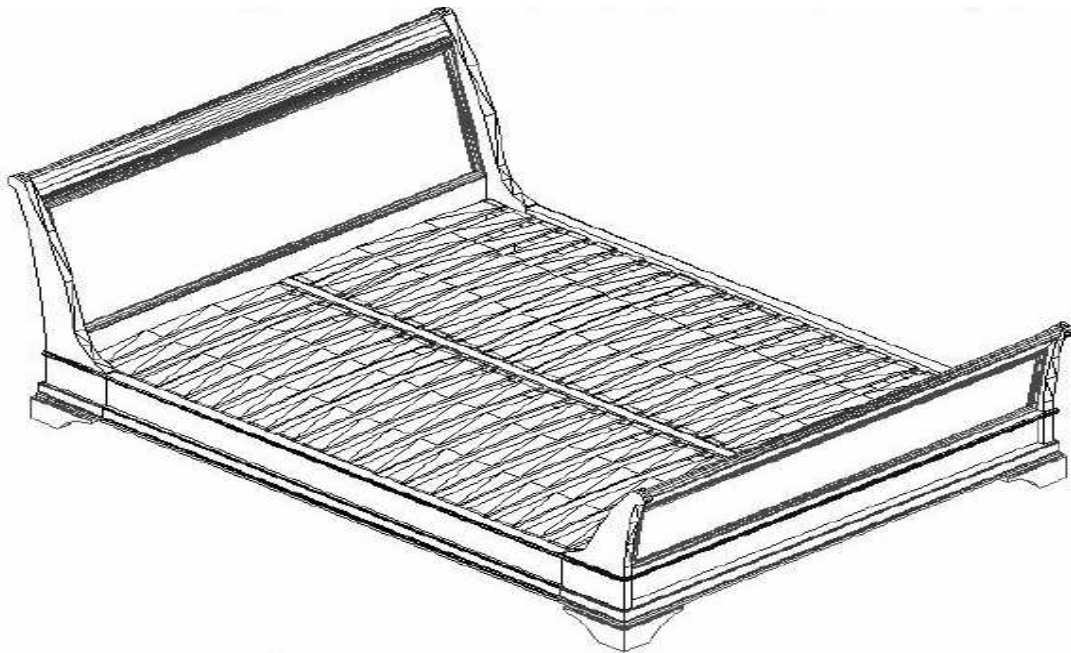


John Lewis

AURELIA 180 CM BEDSTEAD (HIGH END)

Stock number: **803 05304**

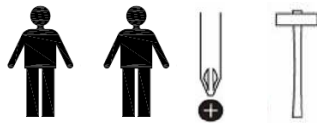
Thank you for purchasing this BEDSTEAD. Please read the instructions carefully before use to ensure safe and satisfactory operation of this product



Pre-assembly preparation

Please ensure instructions are read in full before attempting to assemble this product

Necessary Tools



Please check the pack contents before attempting to assemble this product. A full checklist of components is given in this leaflet. If any components are missing, please contact the retailer from whom you bought this product.






This product is **HEAVY**, it should be assembled as near as possible to the point of use. **TAKE CARE WHEN LIFTING THE PRODUCT TO AVOID PERSONAL INJURY AND DAMAGING THE PRODUCT.**

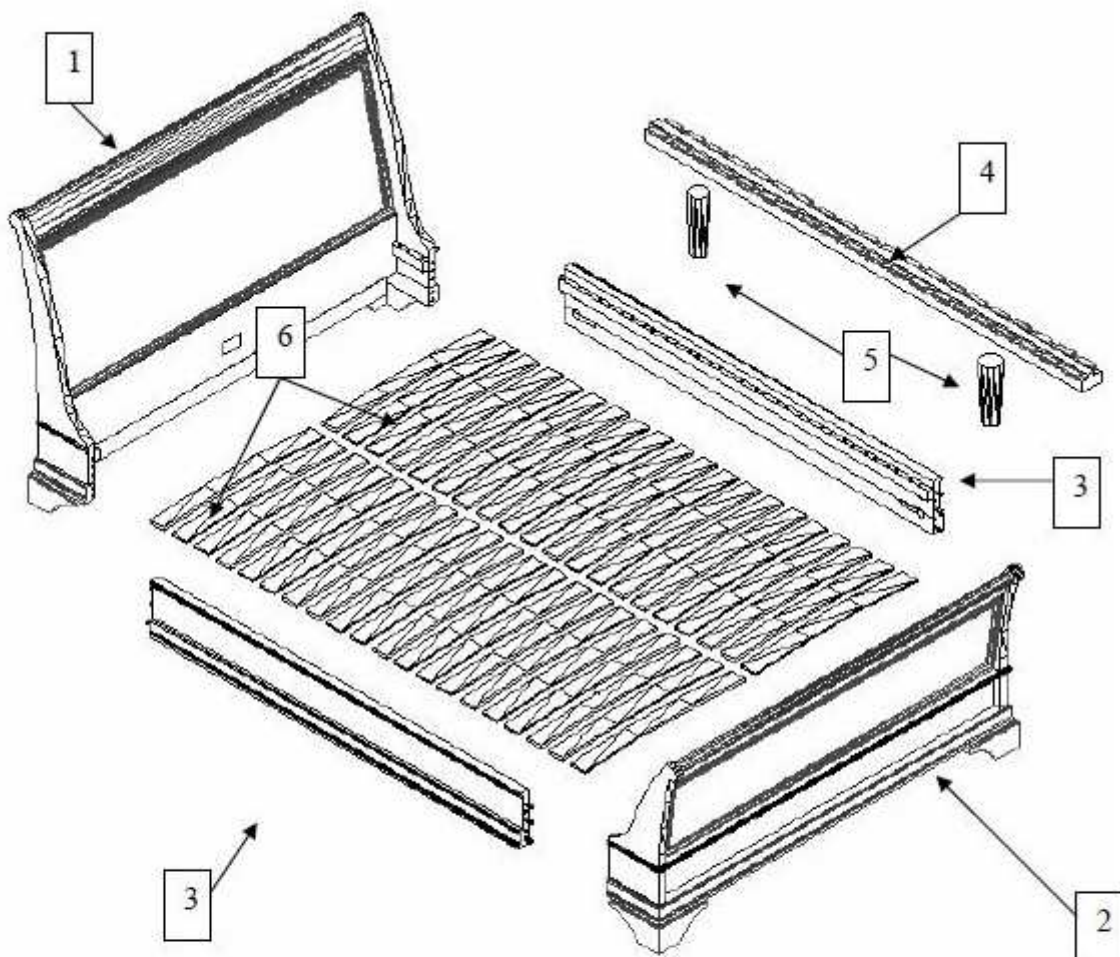
This product takes approximately **25 MINUTES** to assemble with **2 PEOPLE**.

The fittings pack contains **SMALL ITEMS** which should be **KEPT AWAY FROM YOUNG CHILDREN.**

Read this leaflet in full before commencing assembly.

Fittings and parts checklist

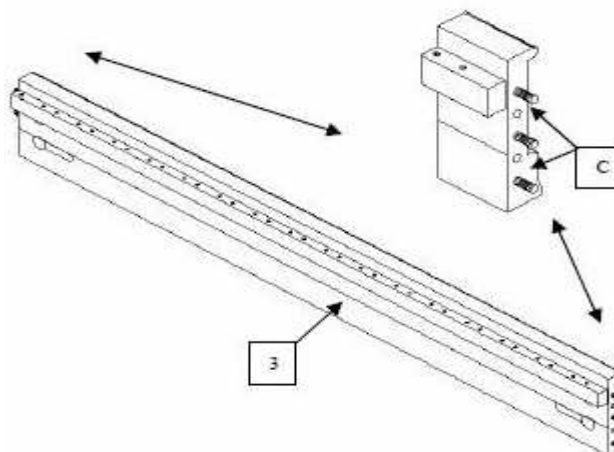
A	Bolts x8		B	Cams x 8	
C	Wooden dowels (Ø10) x12		D	Plastic Sockets x30 (x 30 fitted)	
E	Bottle of touch up paint (if required)				



Item	Description	Qty	Item	Description	Qty
1	HEAD BOARD	1	2	FOOT BOARD	1
3	SIDE RAIL	2	4	CENTRAL SUPORT RAIL	1
5	CENTRAL SUPORT RAIL FEET	2	6	SLATS	30

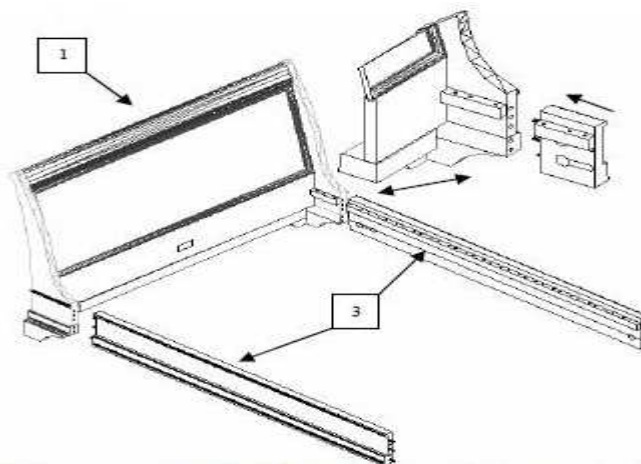
Step by step assembly instructions

Step One



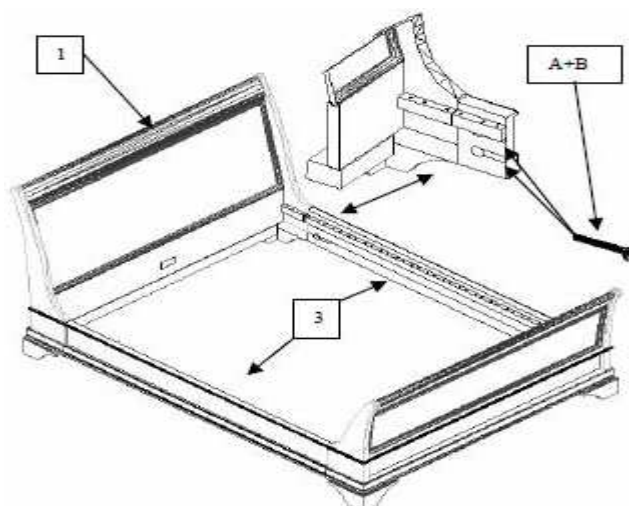
Insert wooden dowels (C) in the holes provided at both ends of the side rails (3)

Step Two



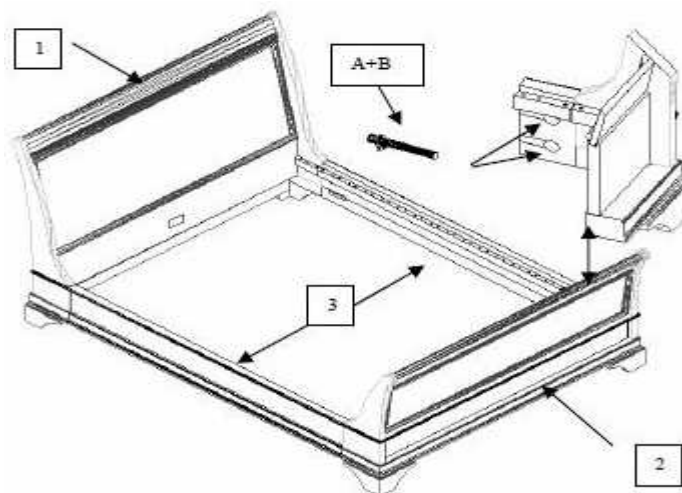
While one person holds head board (1) upright the other person slides the rails (3) over the wooden dowels and flush with the head end.

Step Three



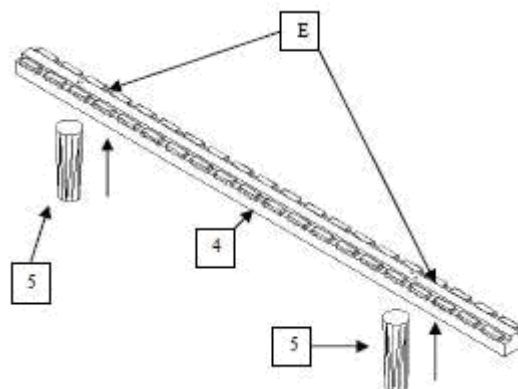
Place cam (B) over the bolt (A) and insert them in holes provided, on the inside of the siderail (3) and then tighten using screwdriver

Step Four



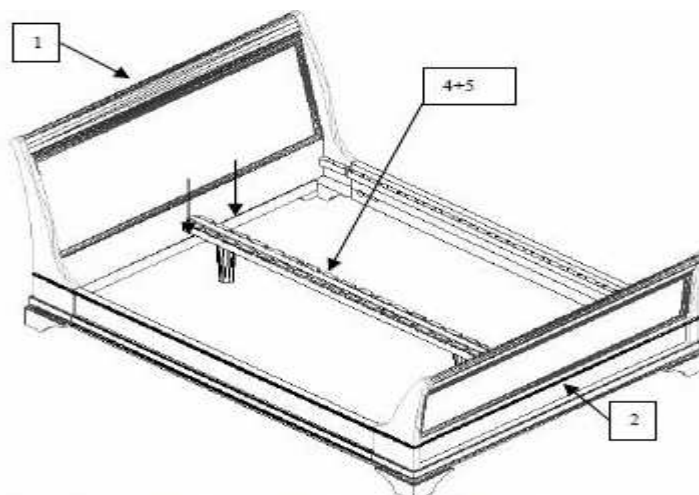
Both people hold the foot board (2) and LIFTING TOGETHER slot the side rails (3) over the wooden dowel (C) and repeat as in step 3

Step Five



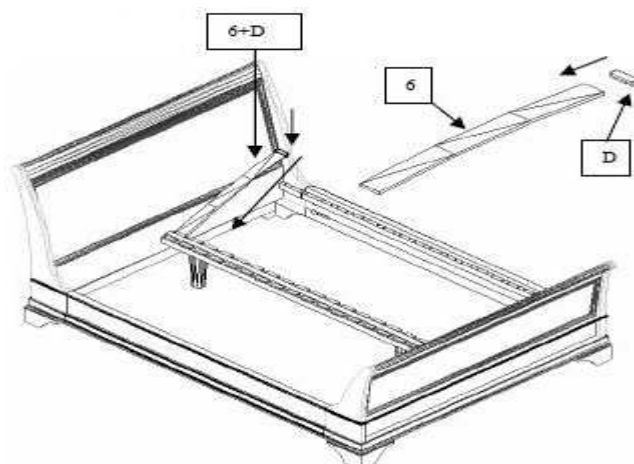
Attach centre support rail feet (5) using wood screws (E) under the central support rail (4)

Step Six



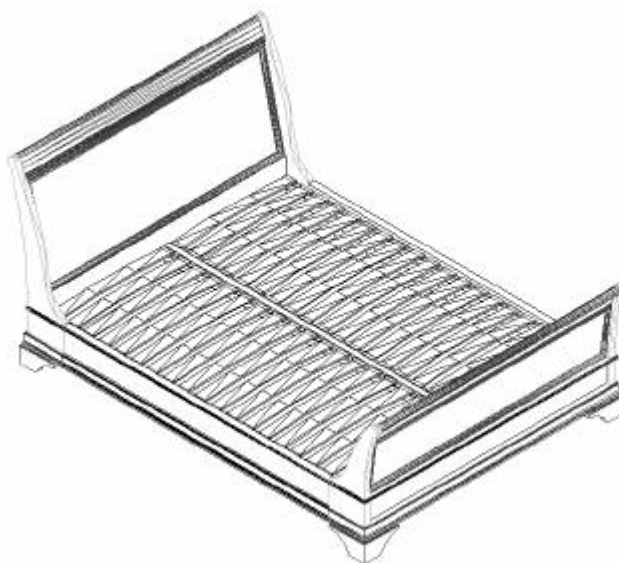
Push the central support rail (4+5) in place as arrows show to engage with clips on the head board (1) and foot board (2)

Step Seven



Push the plastic sockets (D) onto each end of the slats slotting one end into the centre rail cap (fitted) and pushing down the other end to secure in place using holes provided.

Finish



Care and Maintenance

How to care for your wood furniture

Furniture with a hard lacquer, wax polish or painted surface should be dusted with a dry cloth.

Waxed furniture will need to be given a coat of beeswax a couple of times a year to help maintain its luster.

Spray polishes are best avoided as they contain silicones which may spoil the furniture's surface by building up over time.

Make sure all surfaces are protected from heat and liquids by mats and coasters. Wipe up spills immediately and ensure that a mat or pad is placed under paper if you are writing.

Extendable dining tables should be left extended for the first few months to avoid an uneven appearance. Likewise, lamps and ornaments should also be moved regularly.

Our furniture will endure most temperatures in the home but it is best to avoid placing furniture next to heat sources such as radiators or fires. Be particularly careful with solid wood as the lack of humidity caused by central heating can cause damage such as warping

Safety Instructions

Never drag furniture when moving it, always lift it.

Periodically check all fixings to ensure none have come loose and re-tighten where necessary.

Please take care when handling or moving the furniture as careless handling may cause damage or injury.

Furniture can be dangerous if incorrectly installed. Assembly should be carried out by a competent person. No liability will be accepted for damage or injury caused by incorrectly installed or assembled furniture.

It is recommended that before moving heavy objects to a new location they are completely dis-assembled to avoid personal injury or damage to the furniture. Please be careful to retain all fittings when doing this.

PLEASE KEEP THESE INSTRUCTIONS FOR FUTURE REFERENCE

John Lewis Partnership 171 Victoria Street London SW1E 5NN

www.johnlewis.com