

Downton 2 Door 1 Drawer Wardrobe

Stock number: 803/06811 • 803/06911 • 803/06611

Thank you for purchasing this Downton 2 Door 1 Drawer wardrobe. Please read the instructions carefully before use to ensure safe and satisfactory operation of this product.

For spare parts, please contact the TCH John Lewis helpdesk on 01954 251 713



Pre-assembly preparation

Please ensure instructions are read in full before attempting to assemble this product

Necessary Tools



Please check the pack contents before attempting to assemble this product. A full checklist of components is given in this leaflet. If any components are missing, please contact the number on the front of this assembly instruction.

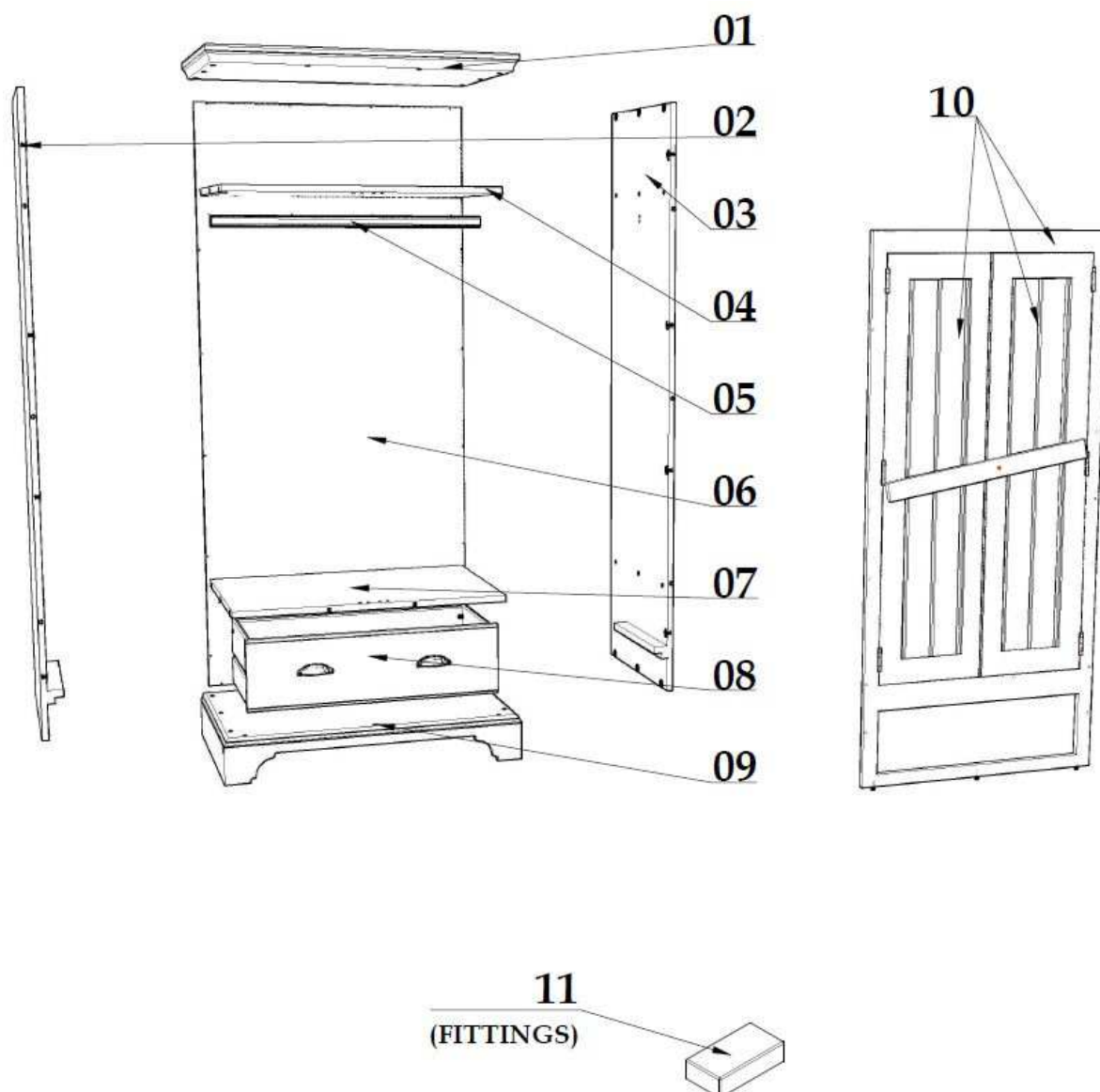
This product is **HEAVY**, it should be assembled as near as possible to the point of use. **TAKE CARE WHEN LIFTING** to avoid personal injury or damage to the product.


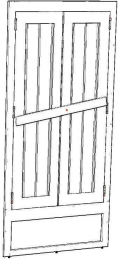



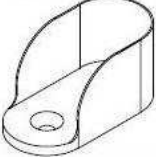



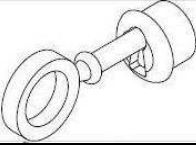
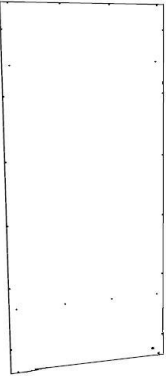
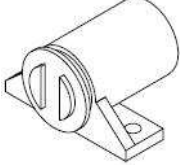


This product takes approximately **60 MINUTES** to assemble with **2 PEOPLE**.

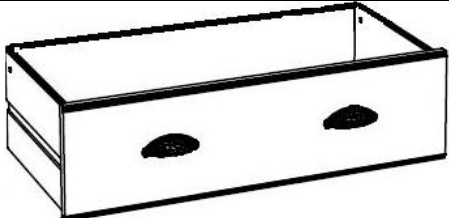
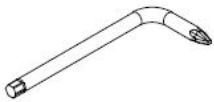
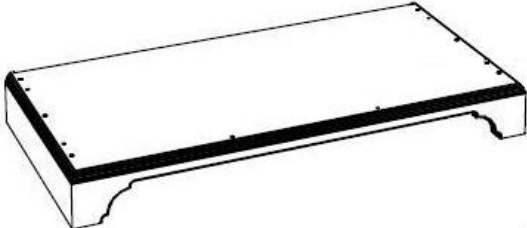
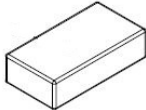
The fittings pack contains **SMALL ITEMS** which should be **KEPT AWAY FROM YOUNG CHILDREN**.

Read this leaflet in full before commencing assembly.

Fittings and parts checklist



01	1 x Top		10	1 x Front	
02	1 x RHF S. Panel		A	36 x Fittings	
03	1 x LHF S. Panel		B	2 x Fittings	 pcs. 2
04	1 x Top Shelf		C	12 x Screws Ø3x16	 pcs. 12
05	1 x Hanging rail		D	1 x Sham key	 pcs. 1
06	1 x Back Panel		E	4 x Adjustable magnet	 pcs. 4
07	1 x Bottom Shelf		F	28 x Screws Ø3x20	 pcs. 28

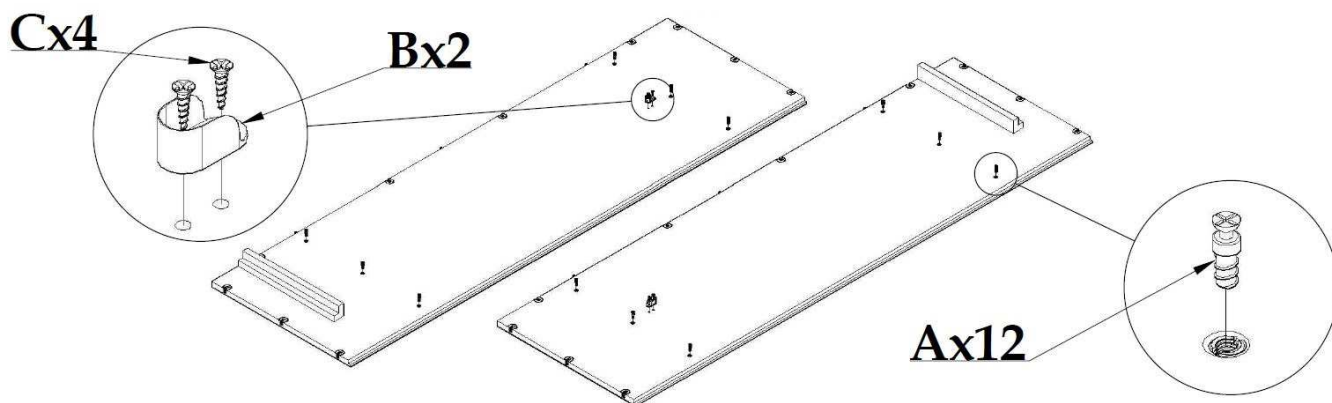
08	1 x Drawer		G	1 x Angle shrew driver	
09	1 x Base		II	1 x Fittings Box	

Step by step assembly instructions

Step One

Lay parts (02) and (03) on the ground. Please place the parts on a smooth surface, in order not to scratch the paint.

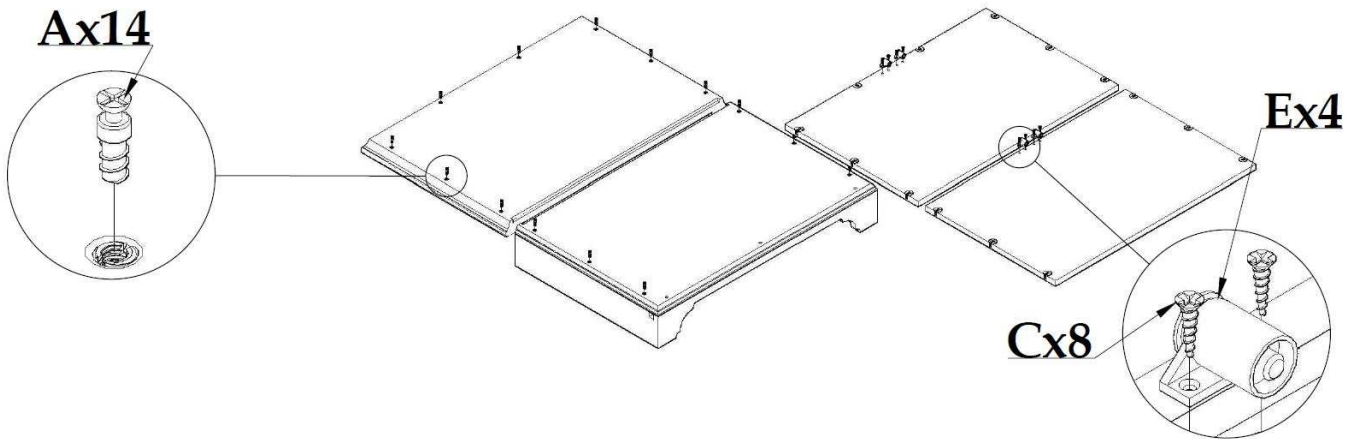
All fittings (A) must be screwed into the pre fitted cams on the side panels (02), and (03). Fittings (B) must be screwed on the side panels (02) and (03) (holes predrilled), by using a screw driver and 4 x screws (C).



Step Two

Lay parts (01), (04), (07) and (09) on the ground. Please place the parts on a smooth surface, in order not to scratch the paint.

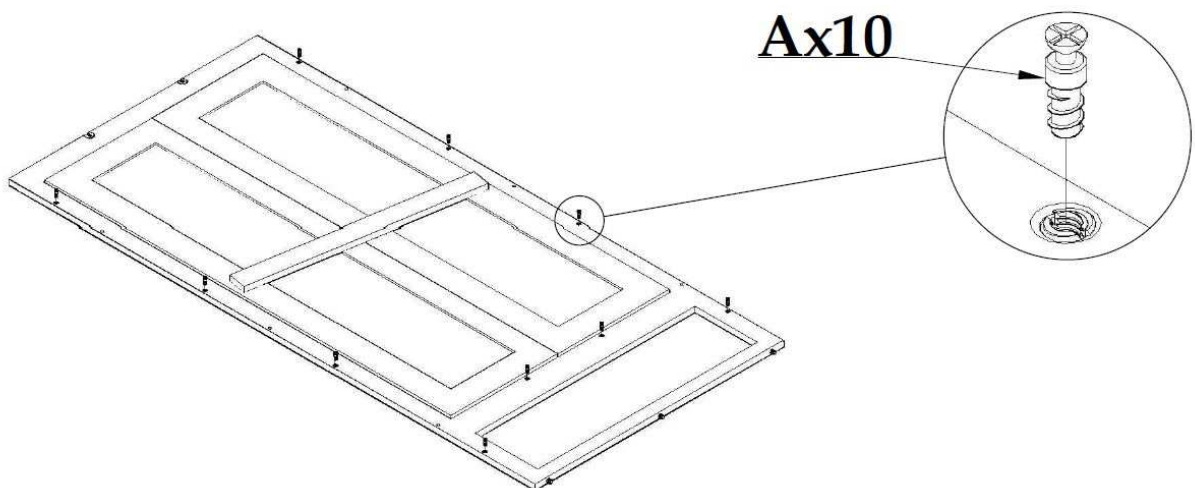
All fittings (A) must be screwed into the pre fitted cams on the parts (01), (04), (07) and (08). Fittings (E) must be screwed on the shelf (04) and (07) (holes predrilled), by using a screw driver and 4 x screws (C).



Step Three

Lay part (10) on the ground. Please place the parts on a smooth surface, in order not to scratch the paint.

All fittings (A) must be screwed into the pre fitted cams on the front panel (10).



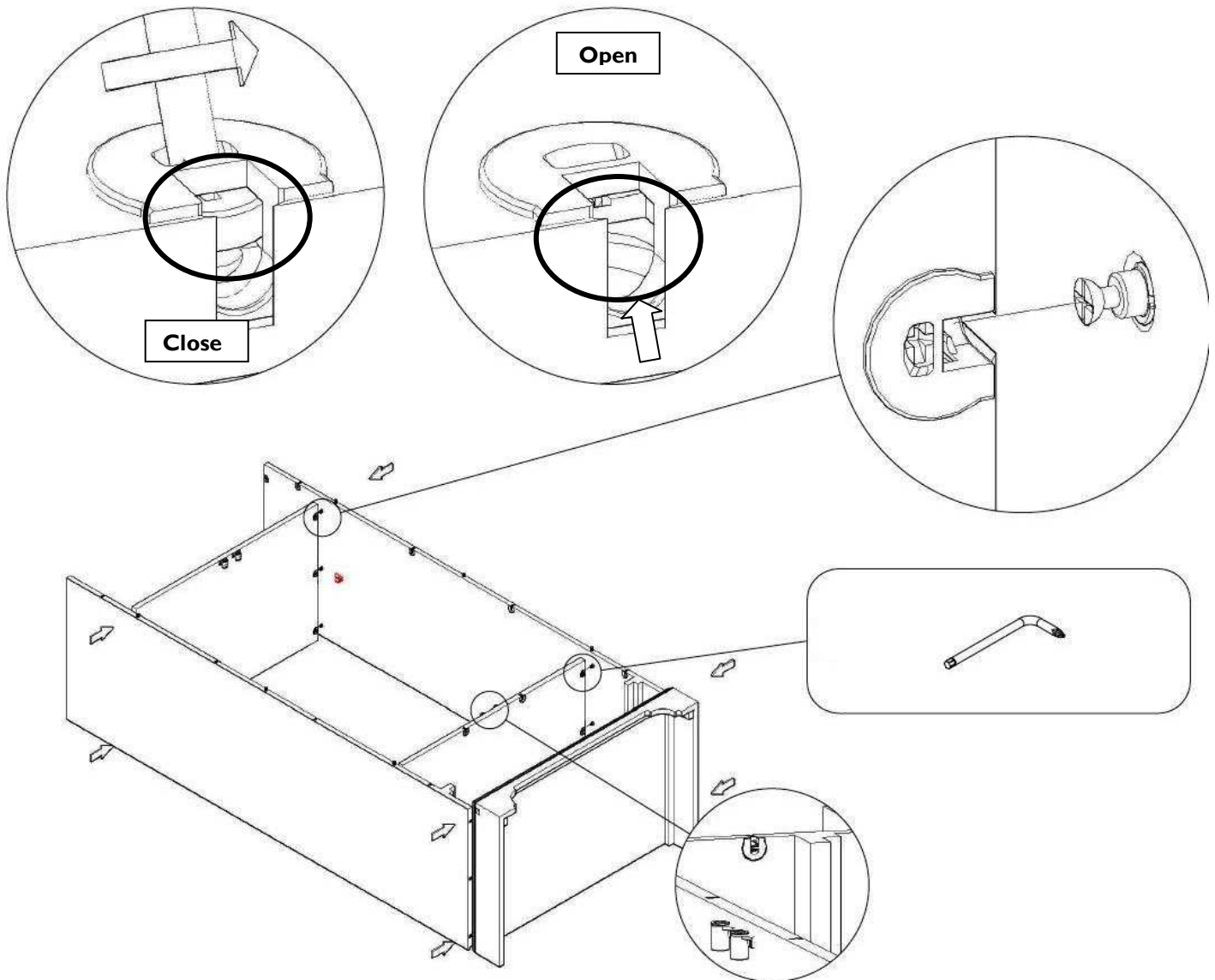
Step Four

Two persons required.

Please position (02), (03), (04) and (07) parts as shown in the picture. All fittings (A) must go into prepared holes with the cam. Side panels (02), and (03) must attach to the shelves (04) and (07) according to the arrows direction shown. If cams don't lock into place please use screwdriver to adjust them. After all pieces are gathered, please use a screw driver to tighten up. To tighten bottom shelf please use angle shrew driver (G)

Please attach base (09) as shown per picture. Tighten the base (09) with a screw driver.

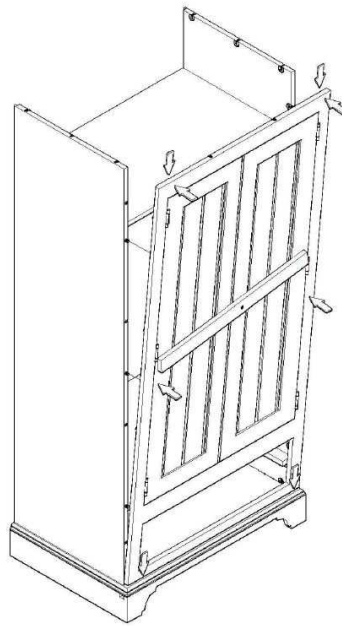
If the locking device is closed please ensure you open it as shown below



Step Five

Two persons required.

Please position the assembled wardrobe components vertically on the base of the wardrobe, as shown on the diagram. Front (10) must attach to wardrobe frame according to the arrows direction shown. Tighten with a screw driver.

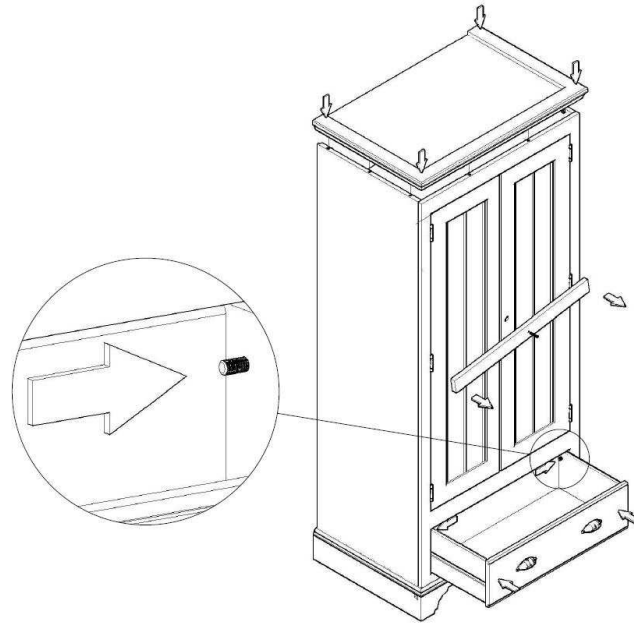


Step Six

Two persons required.

Please attach top (01) as shown. Tighten the top (01) with a screw driver.

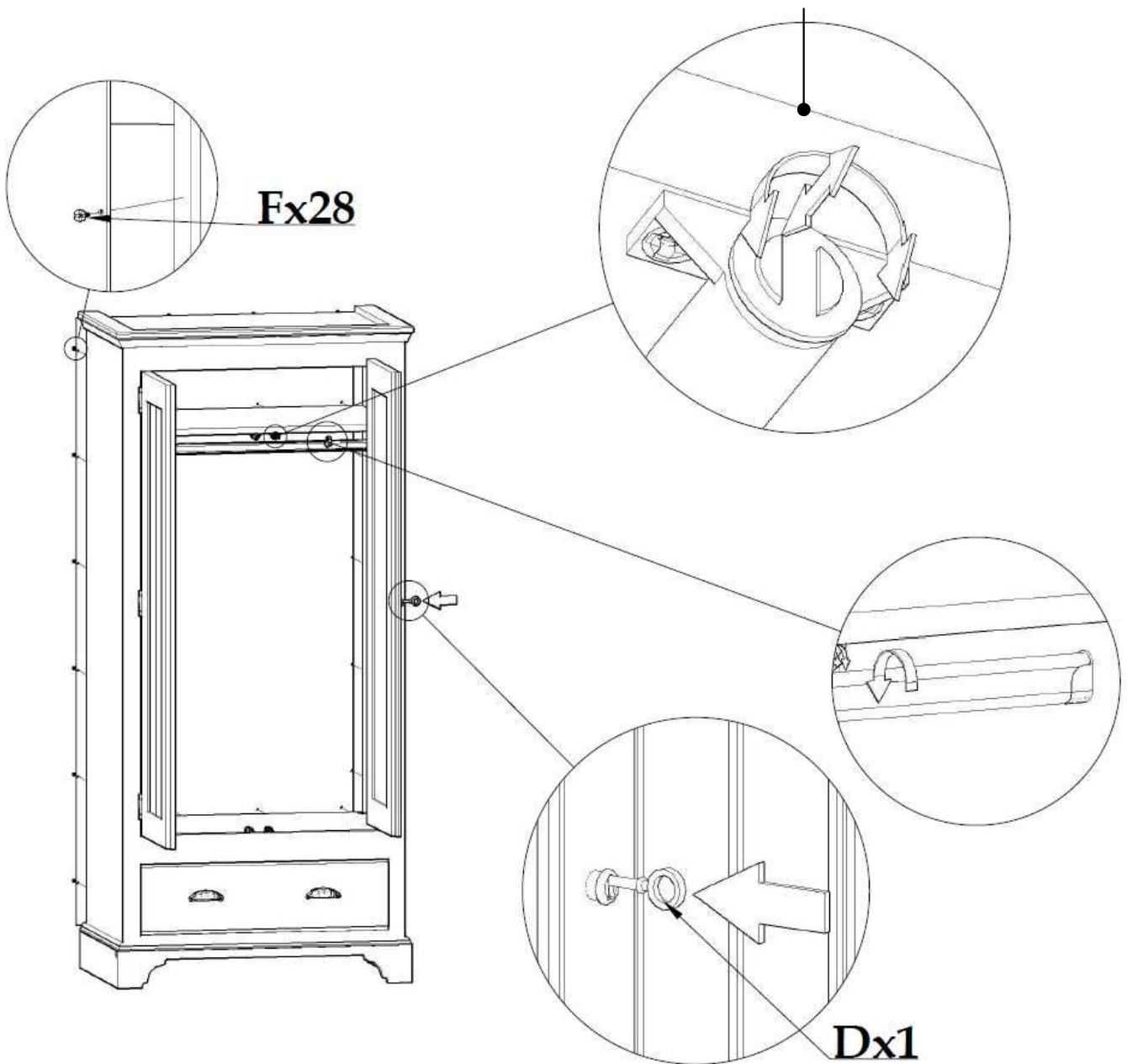
To remove the supporting door system please un-screw the middle screw as shown below. This is a 2 man job – the other person should secure the other side. Insert drawer to his place and push the wooden dowels to secure it.



Step Seven

Please insert 1 x sham key handle (D) into the front of the door lock and secure screw from inside the door. Attach the back panel to the wardrobe, use 28 x screws (F) to tighten the panel to the wardrobe. Hanging rail (05) must be placed to pre screwed (Step one) 2 x fittings (B) on side panels. Please adjust the magnets by hand to get doors in right position.

Magnet Adjustment



Care and Maintenance

The Downton range is a timeless painted bedroom range in either white with metal cup handles or ivory with solid oak tops and metal cup handles. Each piece has been carefully constructed to ensure it will give you years of pleasure. The natural characteristics of oak may include small cracks, knots, blemishes, and grain pattern variations which all add to the natural charm and beauty of this furniture

product. Each piece is unique, and for this reason no two pieces within the range will perfectly match, however there will be harmony between all the pieces you may have purchased.

All timber surfaces will change colour and mellow over time. New furniture will initially vary in shade from items that have been previously purchased.

How to care for your furniture

Try to avoid prolonged exposure to direct sunlight as this may alter the colour and tone of your furniture over time.

Any spillages that do happen should be wiped up immediately with a clean dry lint free cloth to avoid marking the surface of the furniture.

Safety Instructions

General warnings:

Never drag furniture when moving it, always lift it. Periodically check all fixings to ensure none have come loose and re-tighten where necessary. Please take care when handling or moving the furniture as careless handling may cause damage or injury.

Furniture can be dangerous if incorrectly installed. Assembly should be carried out by a competent person. No liability will be accepted for damage or injury caused by incorrectly installed or assembled furniture.

Specific warnings for heavy items:

It is recommended that before moving heavy objects to a new location they are completely disassembled to avoid personal injury or damage to the furniture. Please be careful to retain all fittings when doing this.

TCH John Lewis helpdesk on 01954 251 713 for queries regarding parts.

PLEASE KEEP THESE INSTRUCTIONS FOR FUTURE REFERENCE

John Lewis Partnership 171 Victoria Street London SW1E 5NN
www.johnlewis.com