

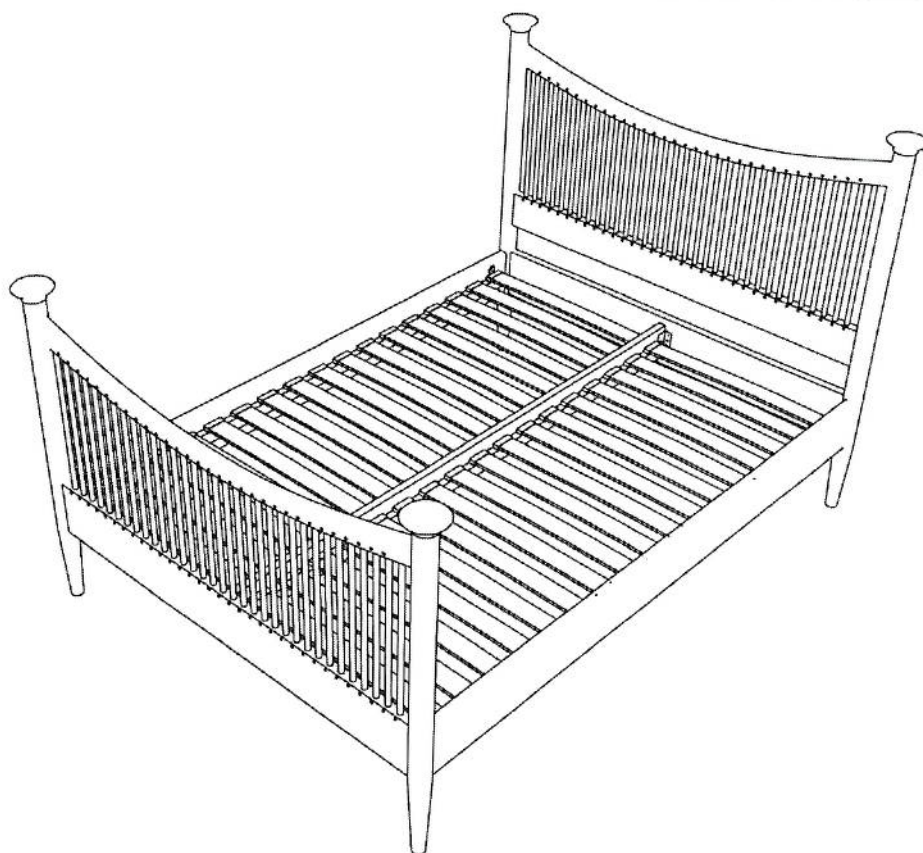
# Essence Oak 135cm/150cm/180cm bedstead (high footend & low footend)

Stock number: 803/14001 - 803/14002 - 803/14003 - 803/14004 - 803/14005 - 803/14006

---

Thank you for purchasing this Essence Oak bedstead, high or low footend. Please note the assembly process is exactly the same for both high and low footend bedsteads. Please read the instructions carefully before use to ensure safe and satisfactory operation of this product

---

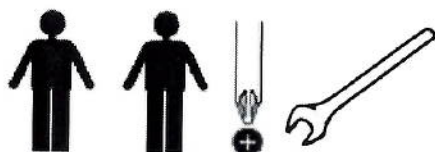


## Pre-assembly preparation

Please ensure instructions are read in full before attempting to assemble this product

---

### Necessary Tools



---

You will require a cross head screwdriver to assemble this product. An electric drill may cause damage to the product and is not recommended.

Please check the pack contents before attempting to assemble this product. A full checklist of

components is given in this leaflet. If any components are missing, please contact John Lewis Customer Services or your local branch.

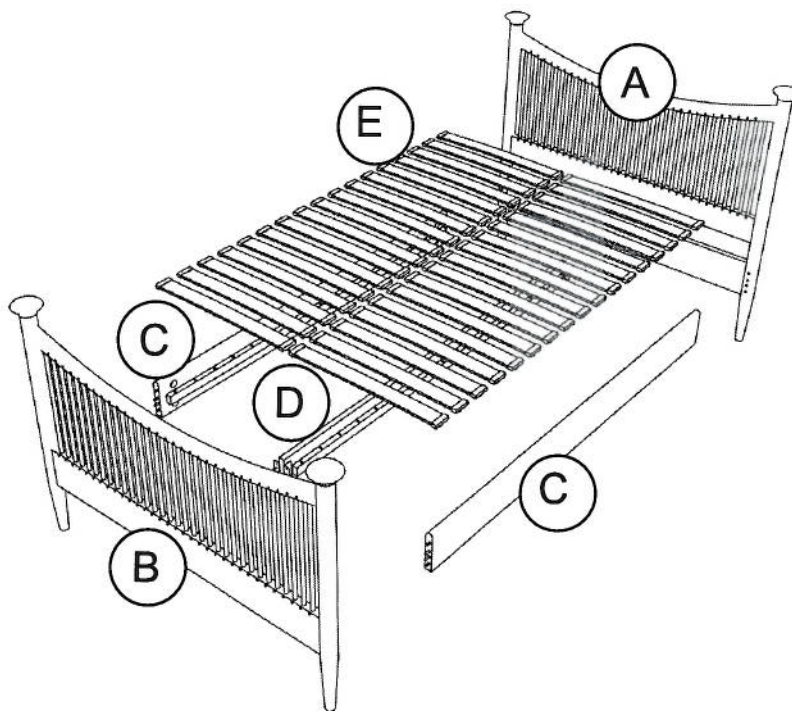
This product is **HEAVY**, it should be assembled as near as possible to the point of use. **TAKE CARE WHEN LIFTING** to avoid personal injury and (or) damage to the product.

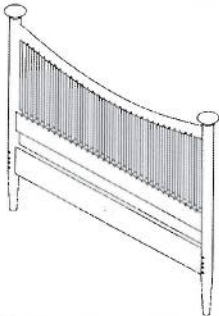

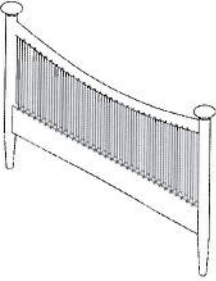

This product takes approximately 60 MINUTES to assemble with 2 PEOPLE.

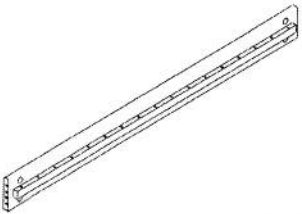

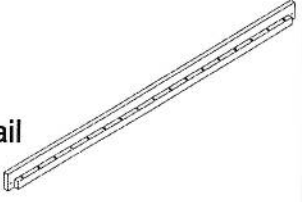






The fittings pack contains **SMALL ITEMS** which should be **KEPT AWAY FROM YOUNG CHILDREN**.

Read this leaflet in full before commencing assembly.

## Fittings and parts checklist



<p>A 1 x Head End</p> 	<p>H 2 x Small Nuts</p> 
<p>B 1 x Foot End</p> 	<p>I 8 x Large Nuts With Washers</p> 

<p>C 2 x Side Rail</p> 	<p>J 13mm Spanner</p> 
<p>D 1 x Centre Support Rail</p> 	<p>K 8 x Metal Threaded Rods</p> 
<p>E 34 x Slats</p> 	<p>L 2 x Bracket</p> 
<p>F 68 x Plastic End Caps</p> 	<p>M 12 x Screws</p> 
<p>G 2 x Bolts</p> 	

## Step by step assembly instructions

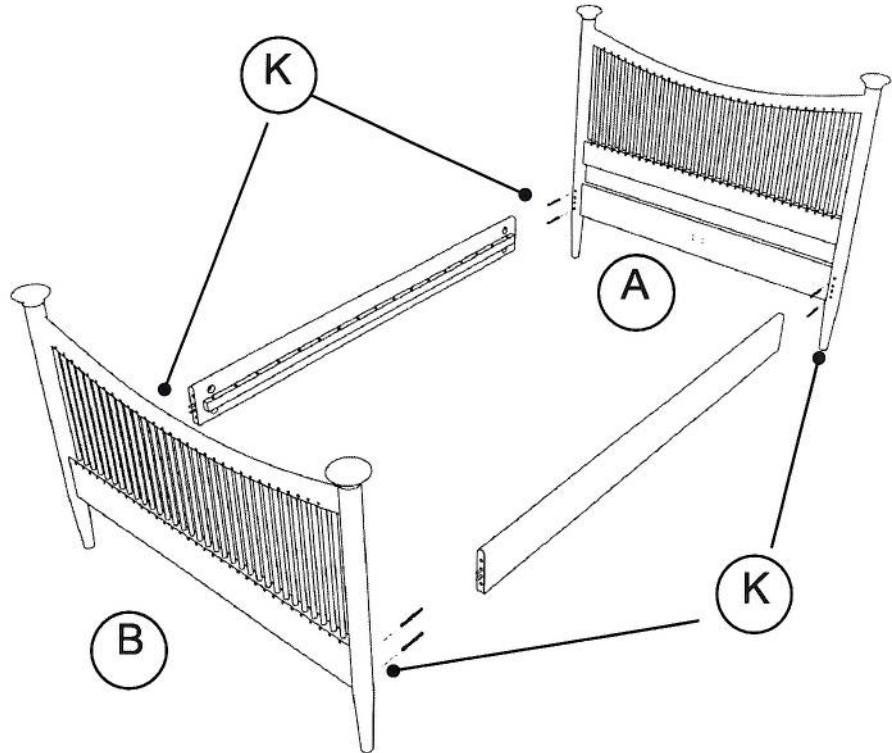
### Step One

Screw the 8 x Threaded Metal Rods (K) into the Head End (A) and Foot End (B) as shown (4 into the head end and 4 into the foot end) until they will not go in any further.

Fittings



K x 8



### Step Two

This step requires two people. Attach the 2 x Side Rails (C) to the Head End (A) as shown below. Thread the Large Nuts and Washers (L) onto the Metal Threaded Rod (K) and tighten with the spanner (N) until the side rails are securely attached to the Head end.

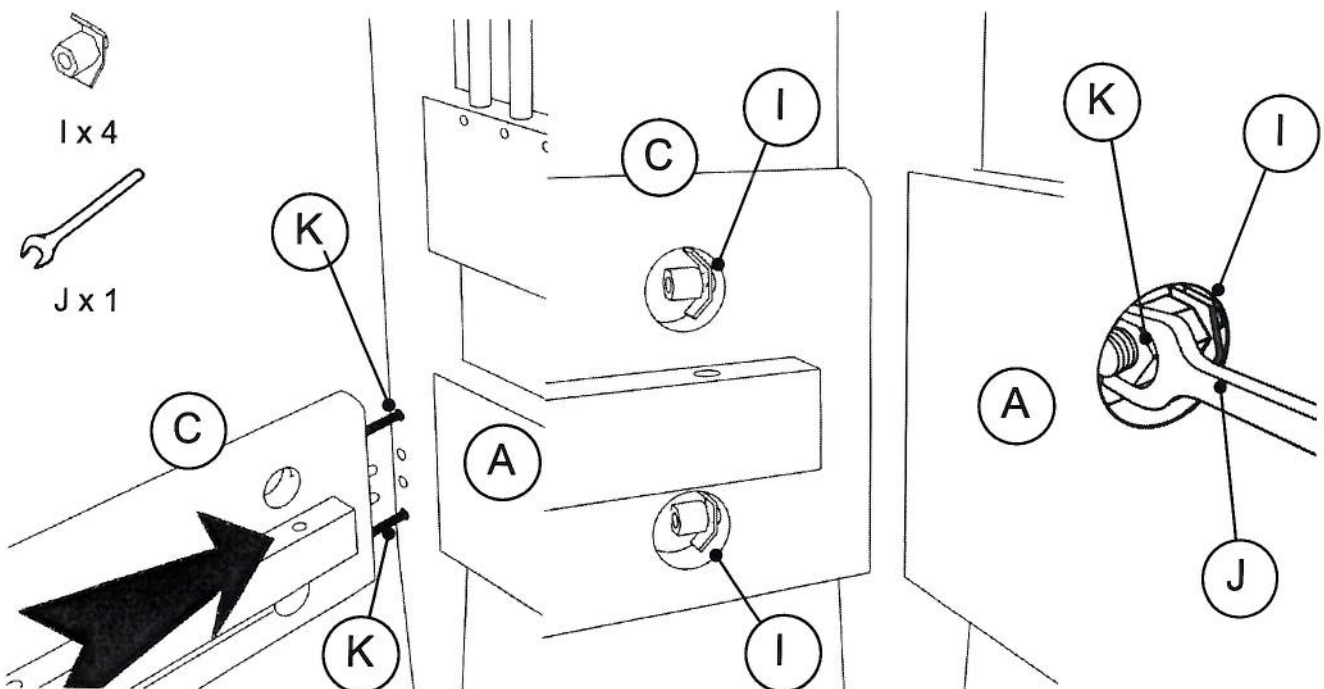
Fittings



L x 4



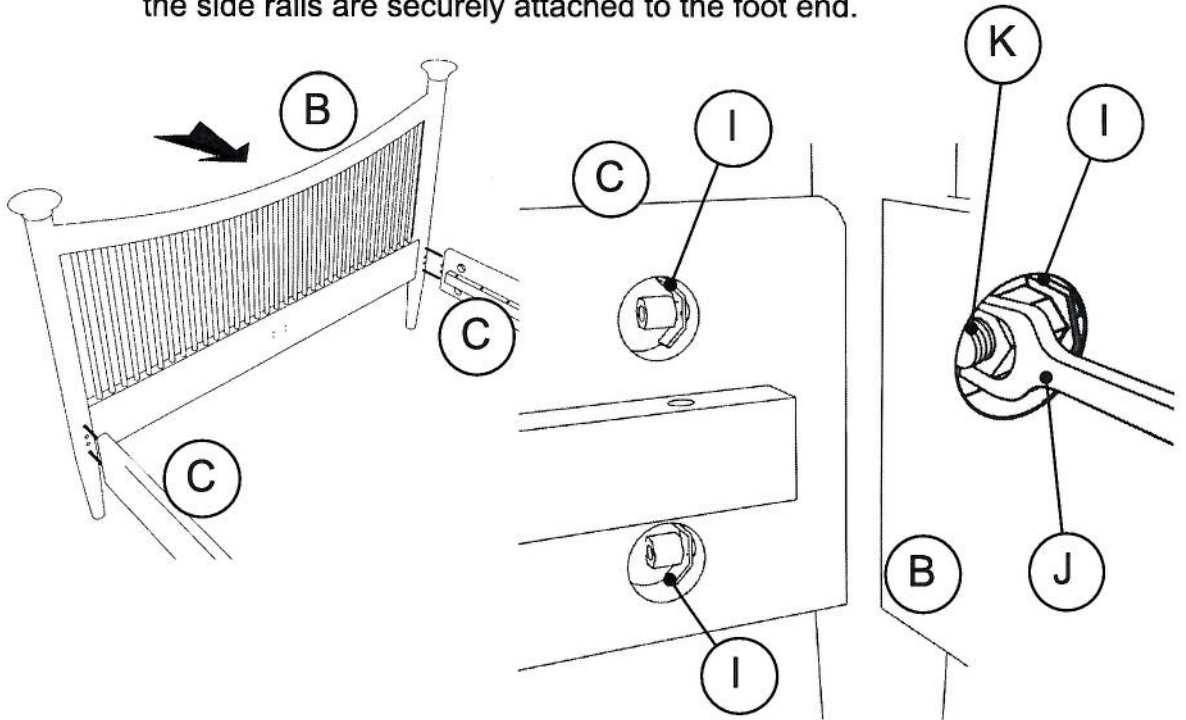
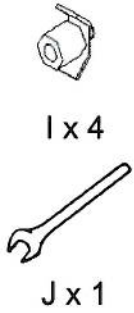
J x 1



### Step Three

This step requires 2 people. Attach the Foot End (B) to the Side Rails (C) by lifting up the ends of the Side Rails (one person on each side rail) and introducing the Foot End. Thread the Large Nuts and Washers (L) onto the Threaded Metal Rods (K) as shown. Tighten the nuts until the side rails are securely attached to the foot end.

#### Fittings



### Step Four

Attach the brackets (L) to the head and foot end using (M) screws inserted into the pre-drilled pilot holes. Tighten using a crosshead screwdriver

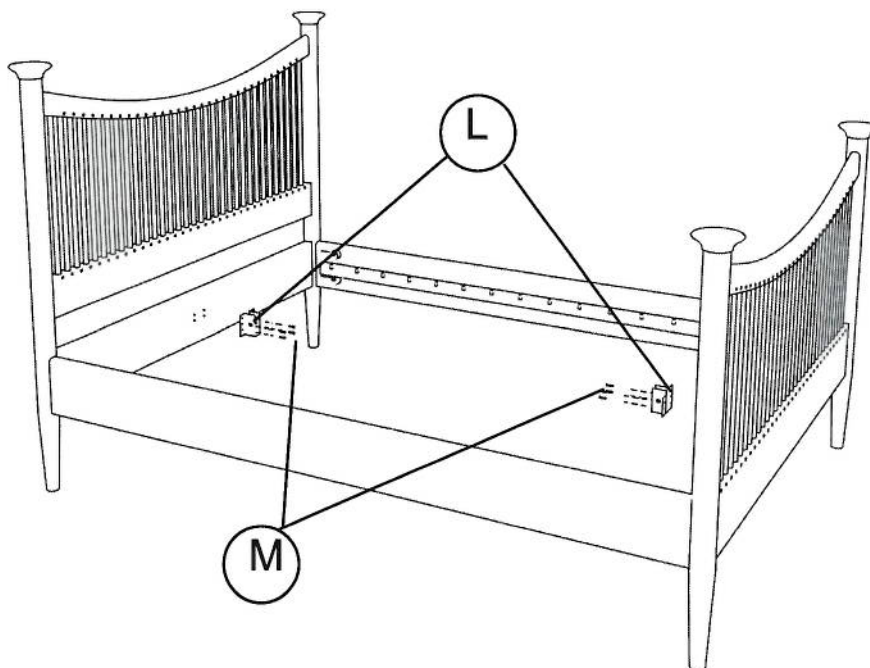
#### Fittings



L x 2



M x 2



## Step Five

Attach the Centre Support Rail (D) to the Metal Centre Support Brackets using the 2 x Bolts (G) and Small Nuts (H). Please note the holes along the centre rail should be facing upwards.

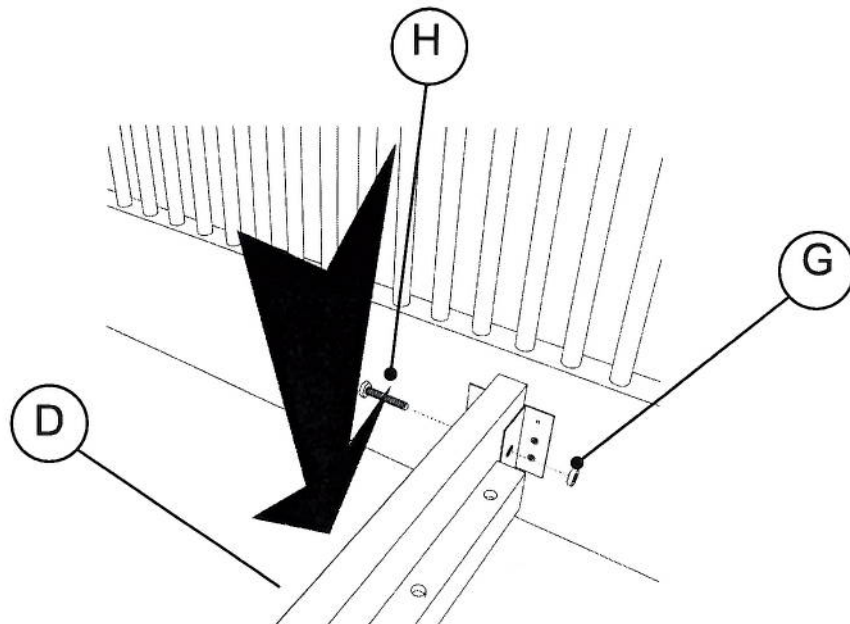
Fittings



G x 2



H x 2



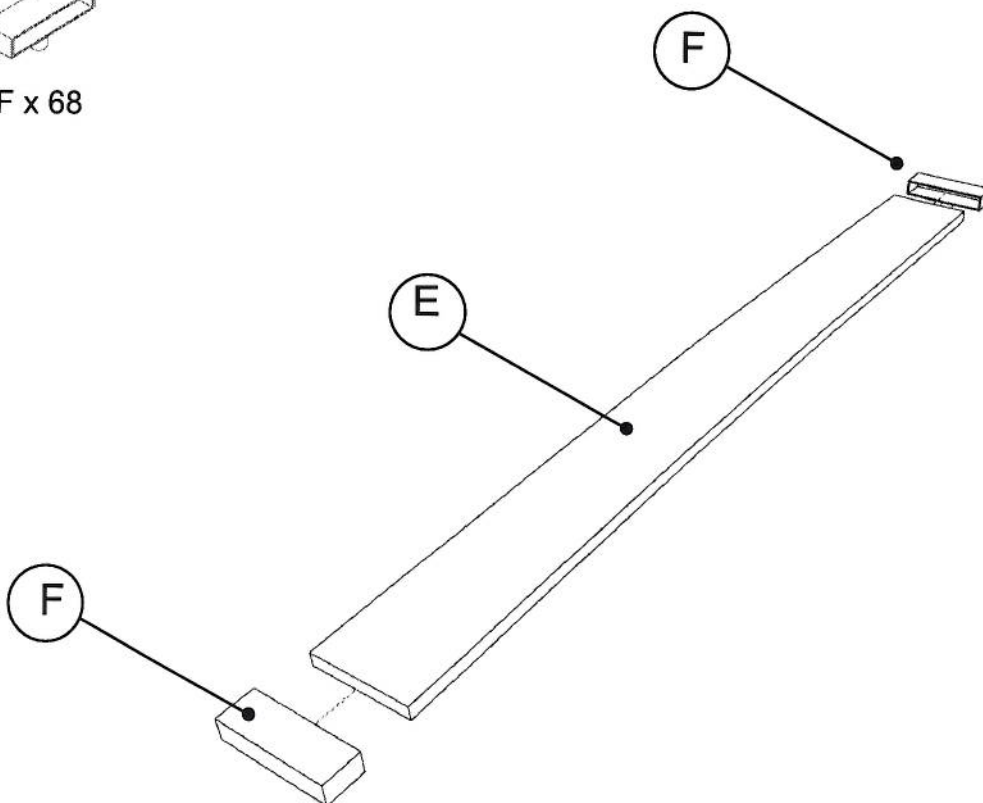
## Step Six

Fit 2 x Plastic End Caps (F) to the ends of each Slat (E).

Fittings



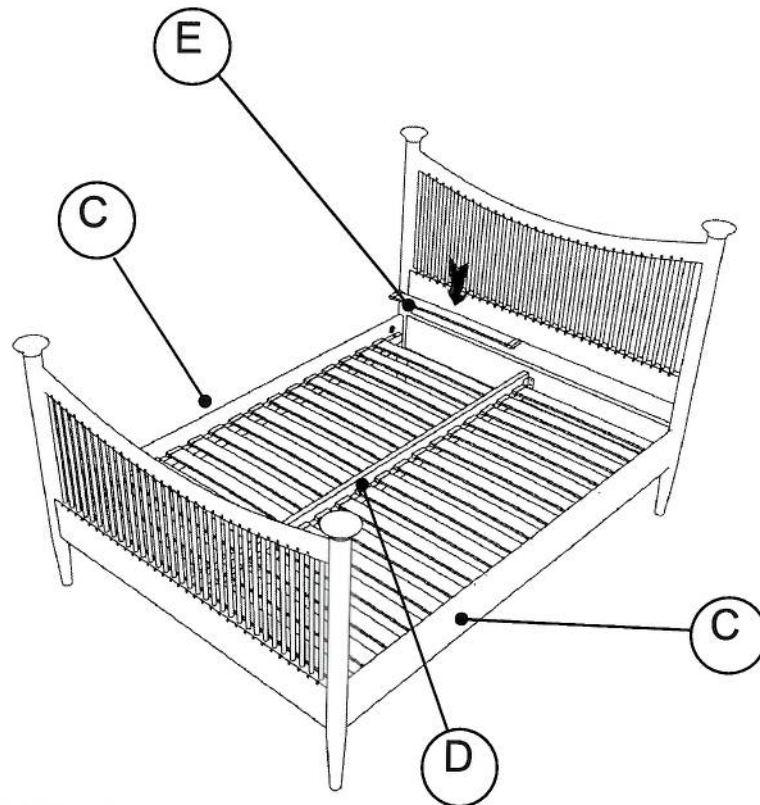
F x 68



---

## Step Six

Push fit the Slats (E) between the side rails (C) and Centre Support Rail (D). Please note the slats may need to be flattened to allow installation. Repeat this process for all other slats.L



THE ASSEMBLY OF YOUR BED IS NOW COMPLETE. TIGHTEN ALL FITTINGS

---

## Care and Maintenance

### Wood Furniture

The Essence range has been sourced by John Lewis from the finest American Oak and each piece has been carefully constructed to ensure it will give you years of pleasure. The natural characteristics of this oak range may include small cracks, knots, blemishes, and grain pattern variations which all add to the natural charm and beauty of this furniture product. Each piece is unique, and for this reason no two pieces within the range will perfectly match, however there will be harmony between all the pieces you may have purchased.

---

## How to care for your wood furniture

Try to avoid prolonged exposure to direct sunlight as this may alter the colour and tone of your furniture over time.

Any spillages that do happen should be wiped up immediately with a clean dry lint free cloth to avoid marking the surface of the furniture.

---

## Safety Instructions

---

### General warnings:

Never drag furniture when moving it, always lift it.

Periodically check all fixings to ensure none have come loose and re-tighten where necessary. Please take care when handling or moving the furniture as careless handling may cause damage or injury.

Furniture can be dangerous if incorrectly installed. Assembly should be carried out by a competent person. No liability will be accepted for damage or injury caused by incorrectly

### Specific warnings for heavy items:

It is recommended that before moving heavy objects to a new location they are completely disassembled to avoid personal injury or damage to the furniture. Please be careful to retain all fittings when doing this.

**PLEASE KEEP THESE INSTRUCTIONS FOR FUTURE REFERENCE**

John Lewis Partnership 171 Victoria Street London SW1E 5NN

[www.johnlewis.com](http://www.johnlewis.com)