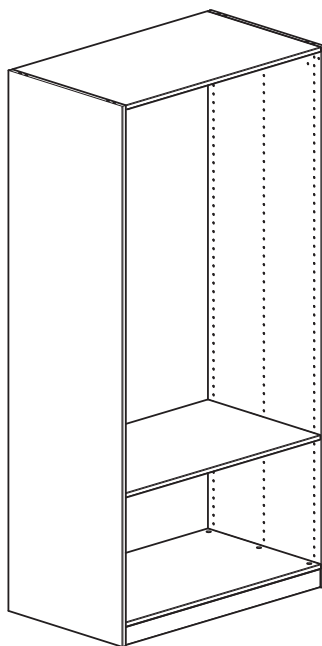


# Mixit wardrobe

Stock Code: 80319005 - 80319105 - 80319205

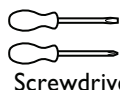
Thank you for purchasing this Mixit wardrobe. Please read the instructions carefully before use to ensure safe and satisfactory operation of this product.



## PRE-ASSEMBLY PREPARATION

Please ensure instructions are read in full before attempting to assemble this product.

### Necessary Tools



Screwdriver



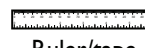
Spirit level



Drill



Eye protection



Ruler/tape  
measure



Small hammer

Please check the pack contents before attempting to assemble this product. A full checklist of components is given in this leaflet. If any components are missing, please contact your the John Lewis Helpline.

This product is **HEAVY**, it should be assembled as near as possible to the point of use. **TAKE CARE WHEN LIFTING** to avoid personal injury and (or) damage to the product.

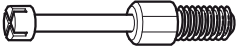

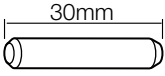
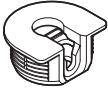

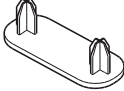




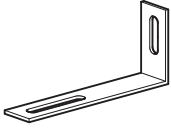
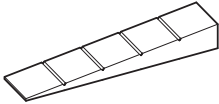

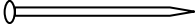
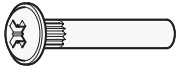
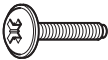
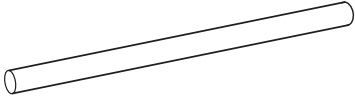
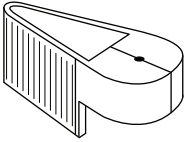
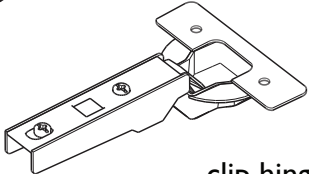

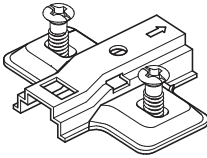
This product takes approximately **90 MINUTES** to assemble with **2 PEOPLE**.

The fittings pack contains **SMALL ITEMS** which should be **KEPT AWAY FROM YOUNG CHILDREN**.

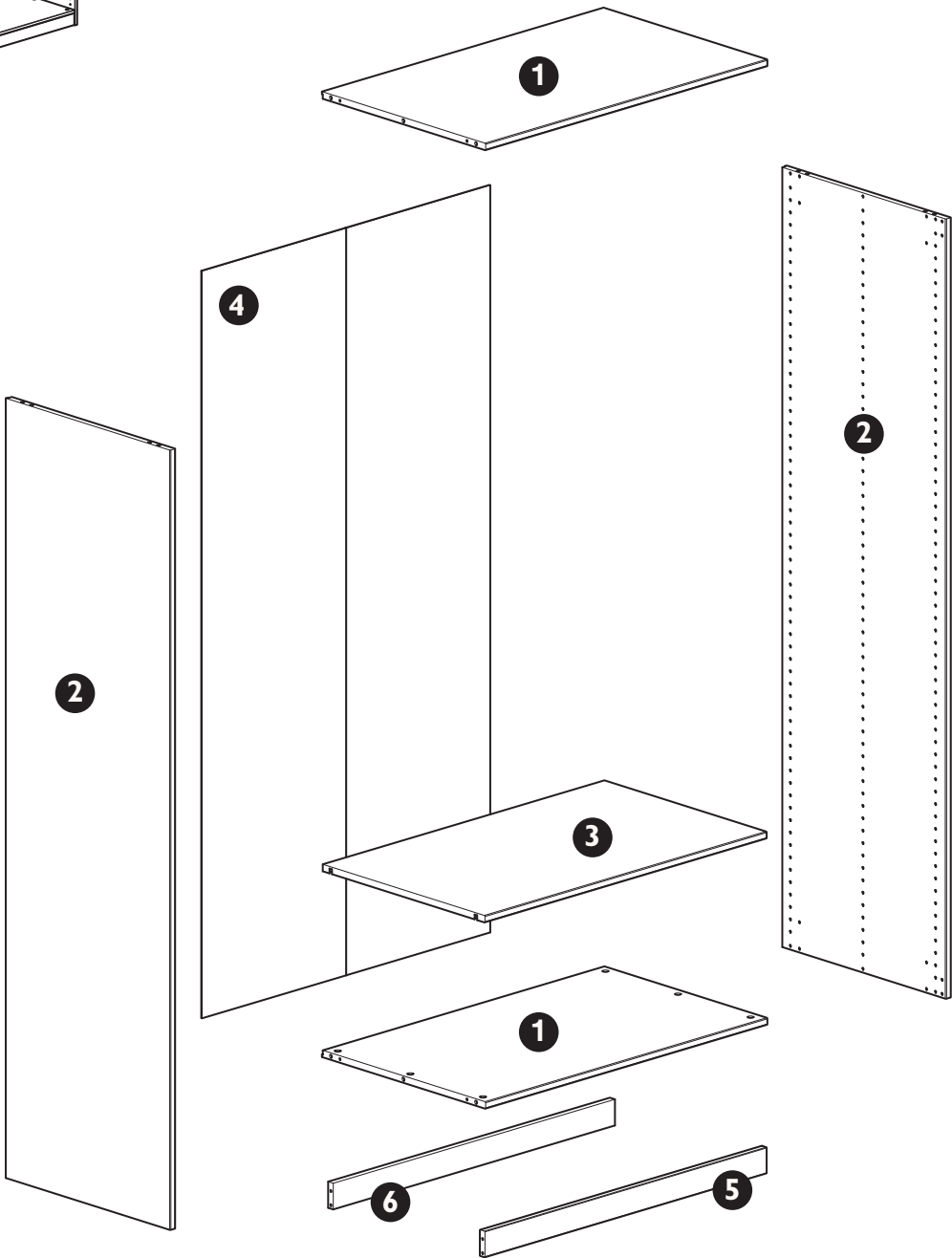
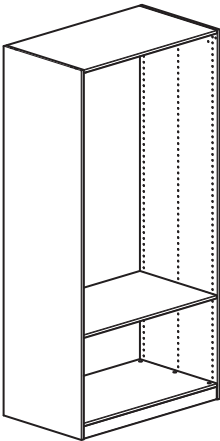
Read this leaflet in full before commencing assembly.

If you are missing some fittings please contact our spare parts helpline on 0330 005 9435. Opening hours are 9am - 5pm Monday to Friday.

# Fittings checklist

<p><b>A</b></p>  <p>Metal dowel x 12</p>	<p><b>B</b></p>  <p>Cam lock x 12</p>	<p><b>C</b></p>  <p>Wooden dowel x 16</p>
<p><b>D</b></p>  <p>Wedgfix housing x 4</p>	<p><b>E</b></p>  <p>Wedgfix dowel x 4</p>	<p><b>F</b></p>  <p>Support foot x 4</p>
<p><b>G</b></p>  <p>Hanger rail support x 2</p>	<p><b>H</b></p>  <p>11mm Euro screw x 4</p>	<p><b>I</b></p>  <p>15mm Screw x 2</p>
<p><b>L</b></p>  <p>Spacer x 2</p>	<p><b>M</b></p>  <p>x 2</p>	<p><b>N</b></p>  <p>Levelling Wedge x 2</p>
<p><b>O</b></p>  <p>Bumper x 4</p>	<p><b>P</b></p>  <p>25mm Nail x 30</p>	<p><b>Q</b></p>  <p>27mm Connector x 4</p>
<p><b>R</b></p>  <p>4MAx15 Connect. screw x 4</p>	<p><b>S</b></p>  <p>hanging rail x 1</p>	<p><b>P1</b></p>  <p>Nail guide x 1</p>
<p><b>T</b></p>  <p>clip hinge x 6</p>	<p><b>I</b></p>  <p>15mm screw x 12</p>	<p><b>U</b></p>  <p>hinge mounting plate x 6</p>

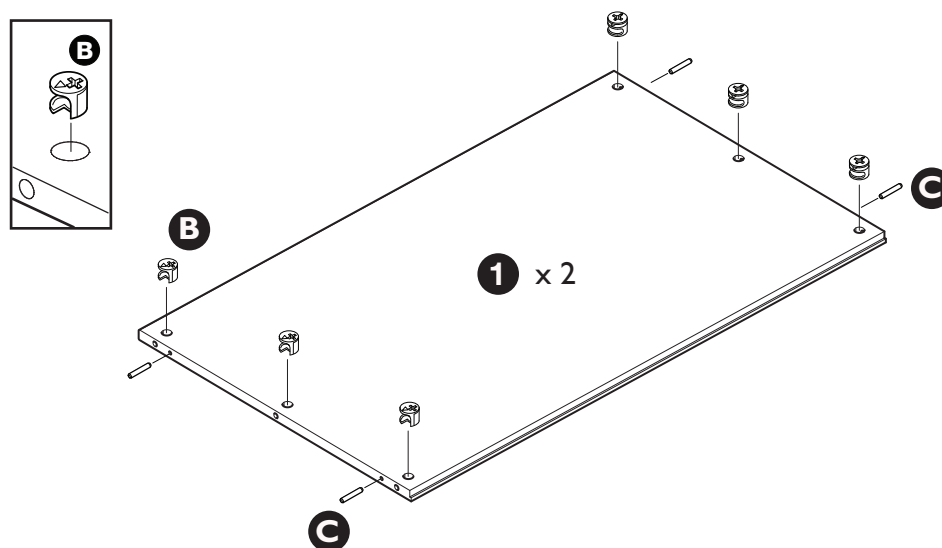
# Parts checklist



# Step by step assembly instructions

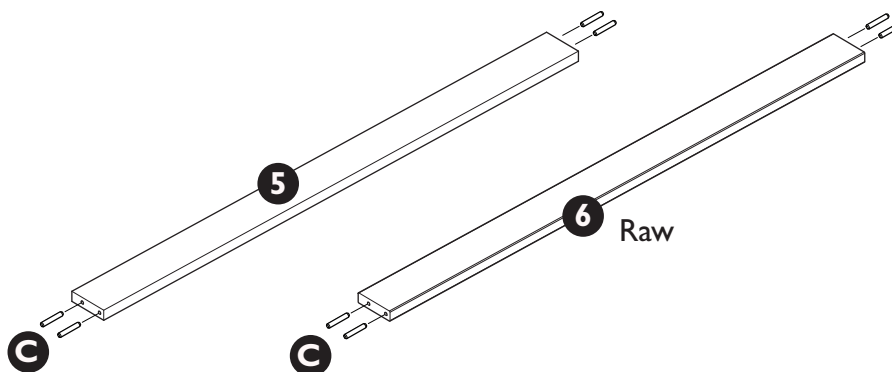
## Step One

1. Attach 4x wooden dowels (C) into the pre-drilled holes on top/bottom panels (1) as shown.
2. Place the cam lock (B) into the holes on top/bottom panels (1) as shown, arrow pointing towards the bolt.



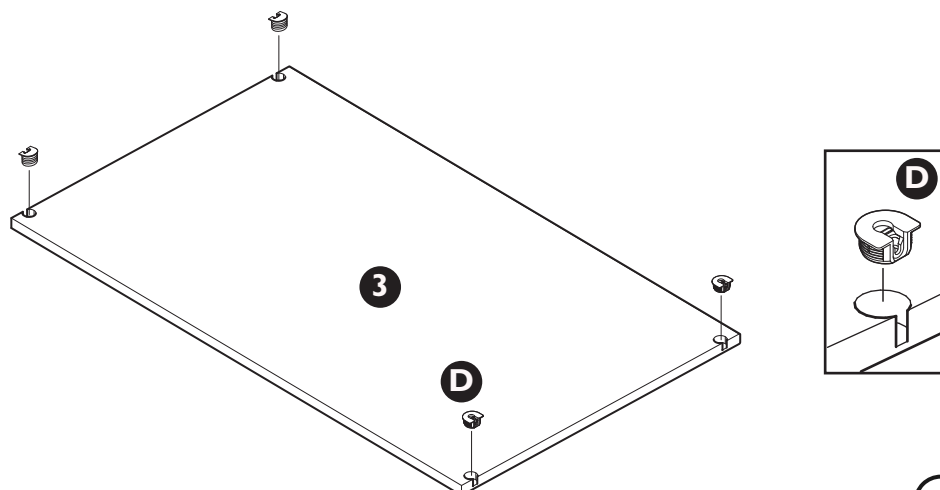
## Step Two

1. Attach 8x wooden dowels (C) into the pre-drilled holes on rails (5) (6) as shown.



## Step Three

1. Attach 4x wedgifix housing (D) into the pre-drilled holes on shelf (3) as shown.

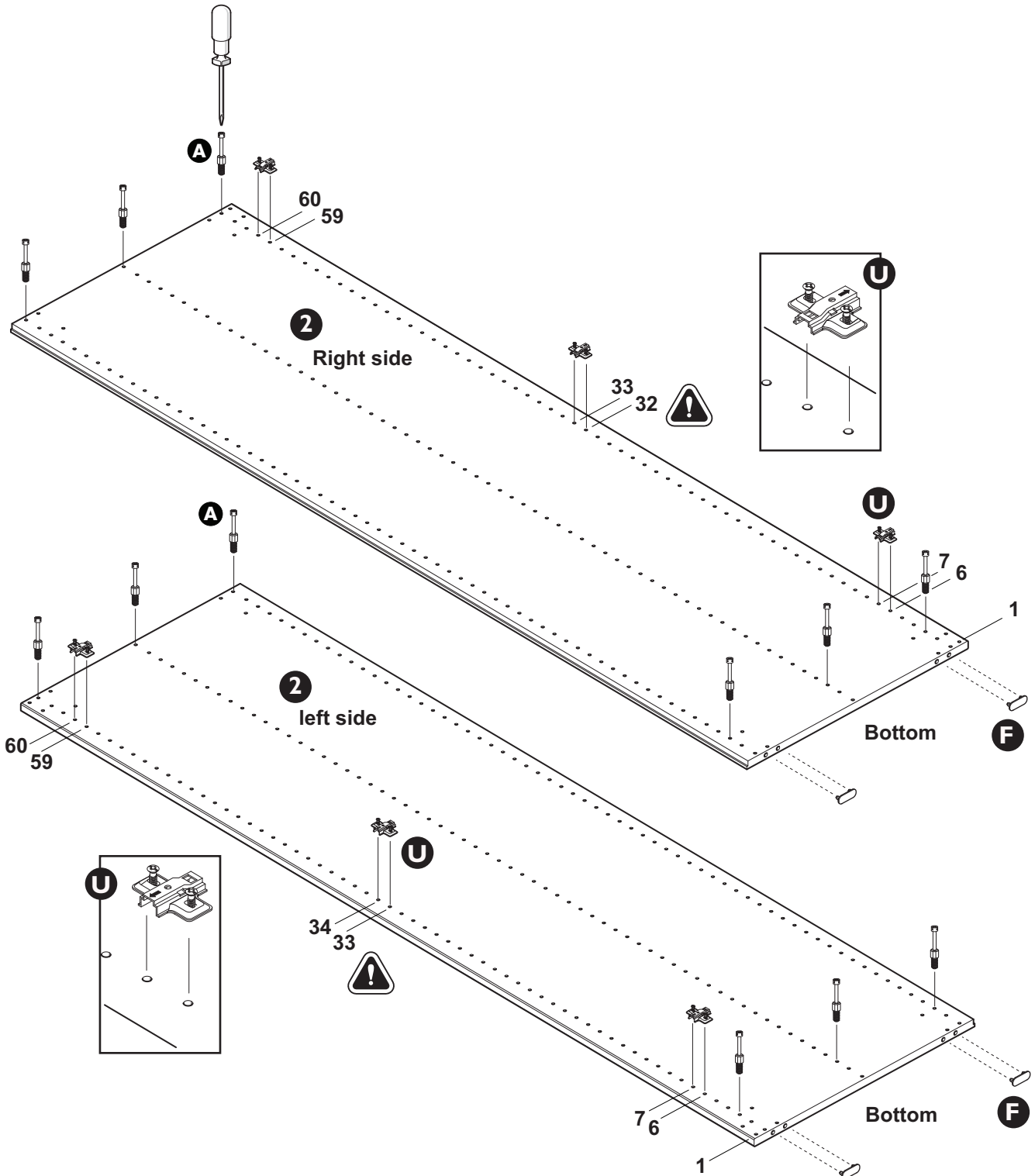


# Step by step assembly instructions

## Step Four

1. Attach 12x metal dowels (A) into the pre-drilled holes on side panels (2) as shown. Use a screwdriver to turn fitting (A) clockwise to fix.
2. Attach 4x support foot (F) into pre-drilled holes on side panels (2) as shown.
3. Attach 6x hinge mounting plate (U) into pre-drilled holes on side panels (2) as shown. Pay attention to place central hinge at correct position.

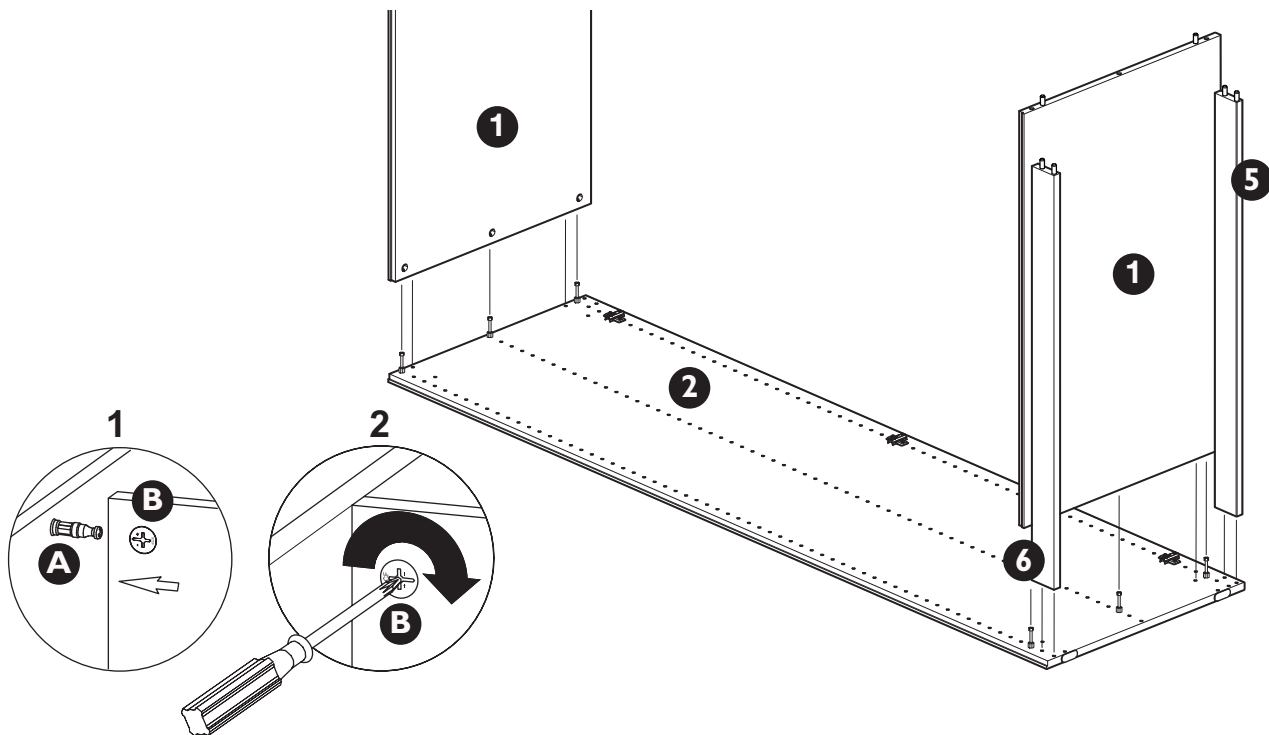
 Holes count starts from the bottom.



# Step by step assembly instructions

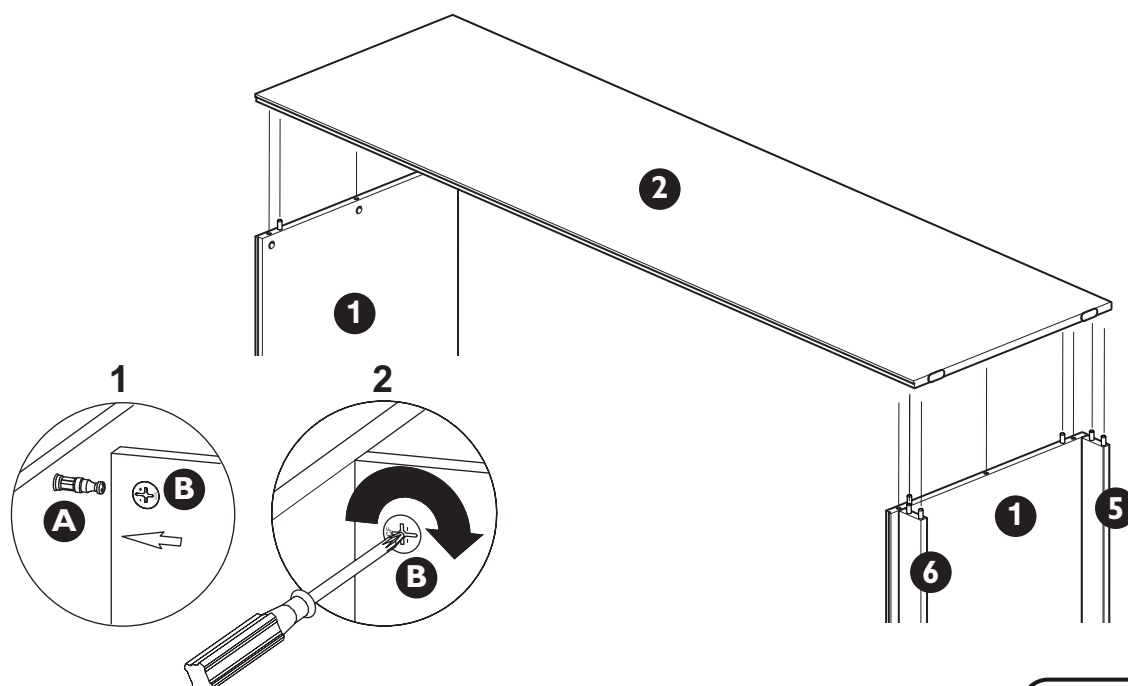
## Step Five

1. Attach top/bottom panels (1) and rails (5) (6) onto right side (2) as shown. Ensure metal dowels (A) and wooden dowels (C) are aligned correctly with the holes of matching parts before attaching.
2. Secure top/bottom panels (1) to right side panel (2) using a screwdriver to turn fitting (B) clockwise to fix.



## Step Six

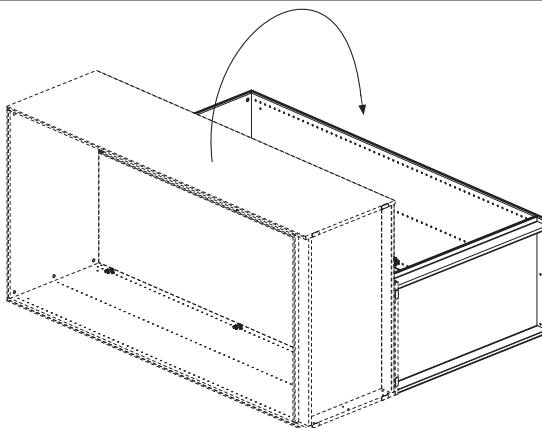
1. Attach top/bottom panels (1) and rails (5) (6) onto left side (2) as shown. Ensure metal dowels (A) and wooden dowels (C) are aligned correctly with the holes of matching parts before attaching.
2. Secure top/bottom panels (1) to right side panel (2) using a screwdriver to turn fitting (B) clockwise to fix.



# Step by step assembly instructions

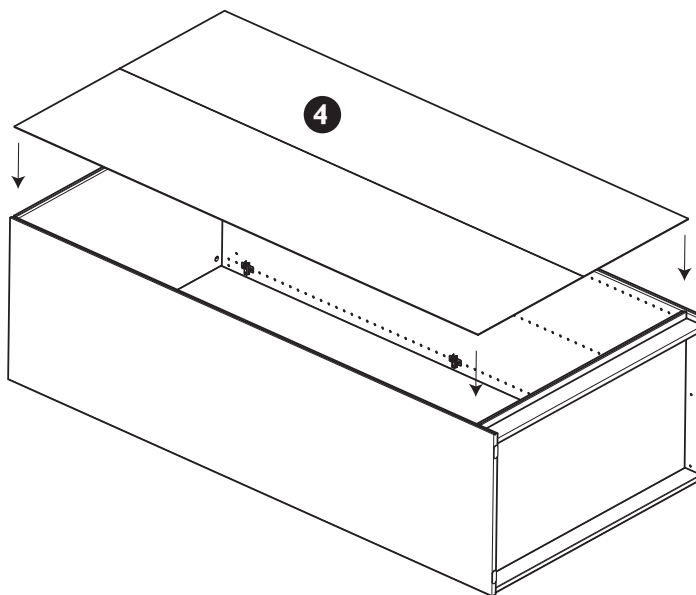
## Step Seven

1. With help of an assistant, carefully rotate the unit.



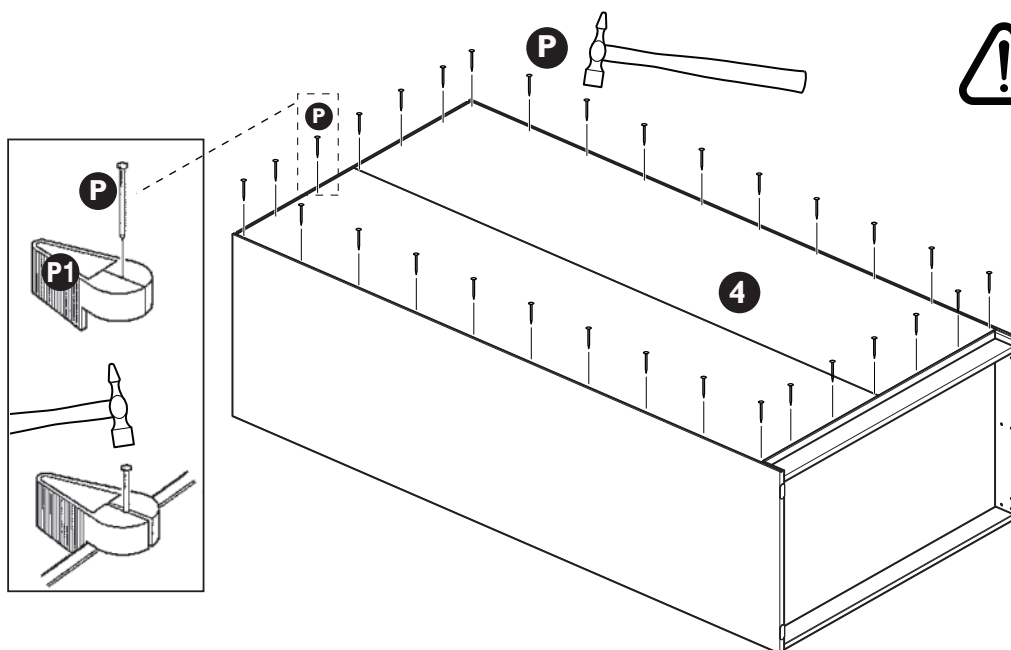
## Step Eight

1. Position back panel (4) as shown.

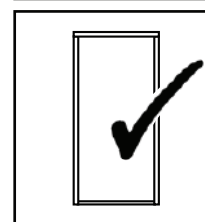
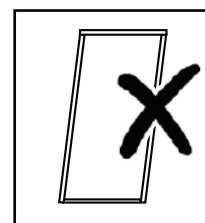


## Step Eight

1. Attach back panel (4) onto back side of the unit using 30x nails (P), with the help of the nail guide (P1).



Important:  
The cabinet **MUST** be 'square' when the back is attached.



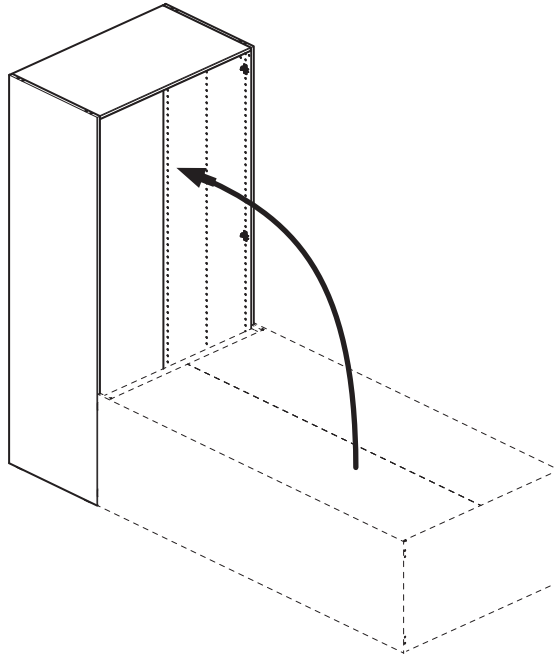
---

## Step by step assembly instructions

---

### Step Nine

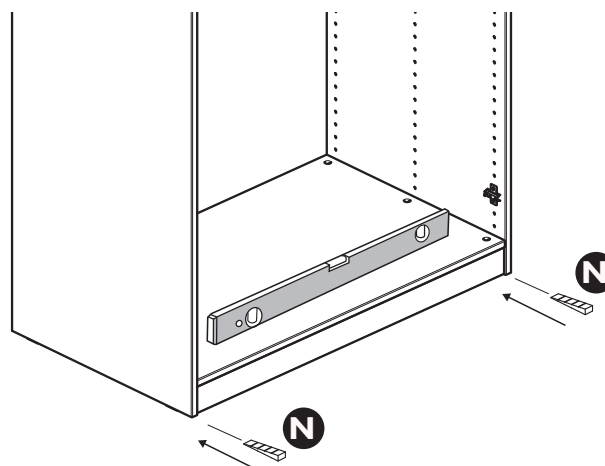
1. With help of an assistant, carefully stand up the unit upright.



---

### Step Ten

1. Use 2x levelling wedge (N) to level the unit.



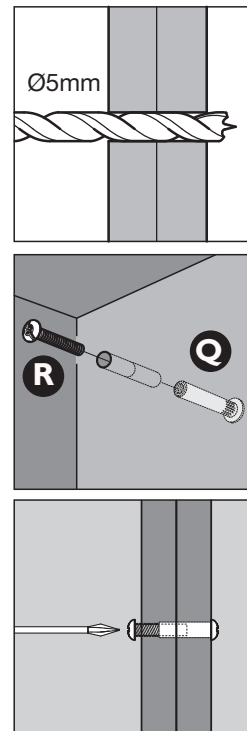
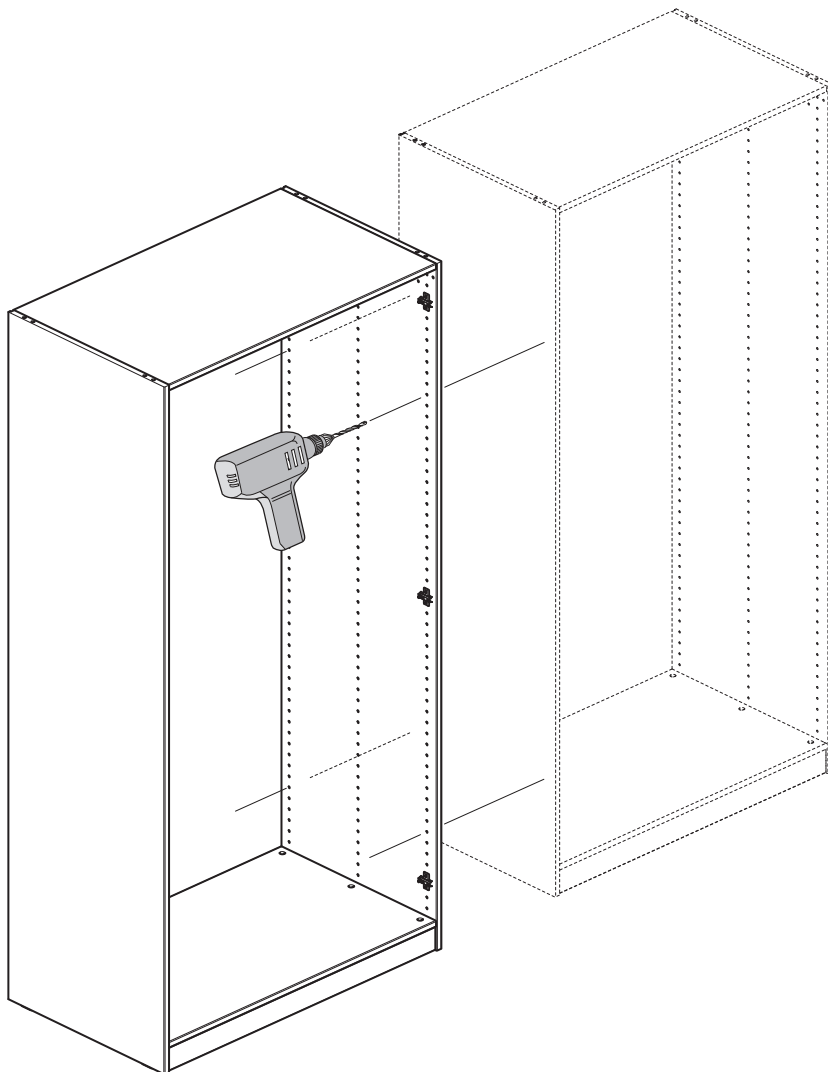


# Step by step assembly instructions

## Step Eleven

Fittings have been supplied in order to join units together.

1. Place units together in their final position.
2. Decide position where to drill through using a  $\text{\O}5$  mm bit.
3. Push the Connector (Q) into the hole and then screw Bolt (R) in from the other side, tighten with a screwdriver.



# Step by step assembly instructions

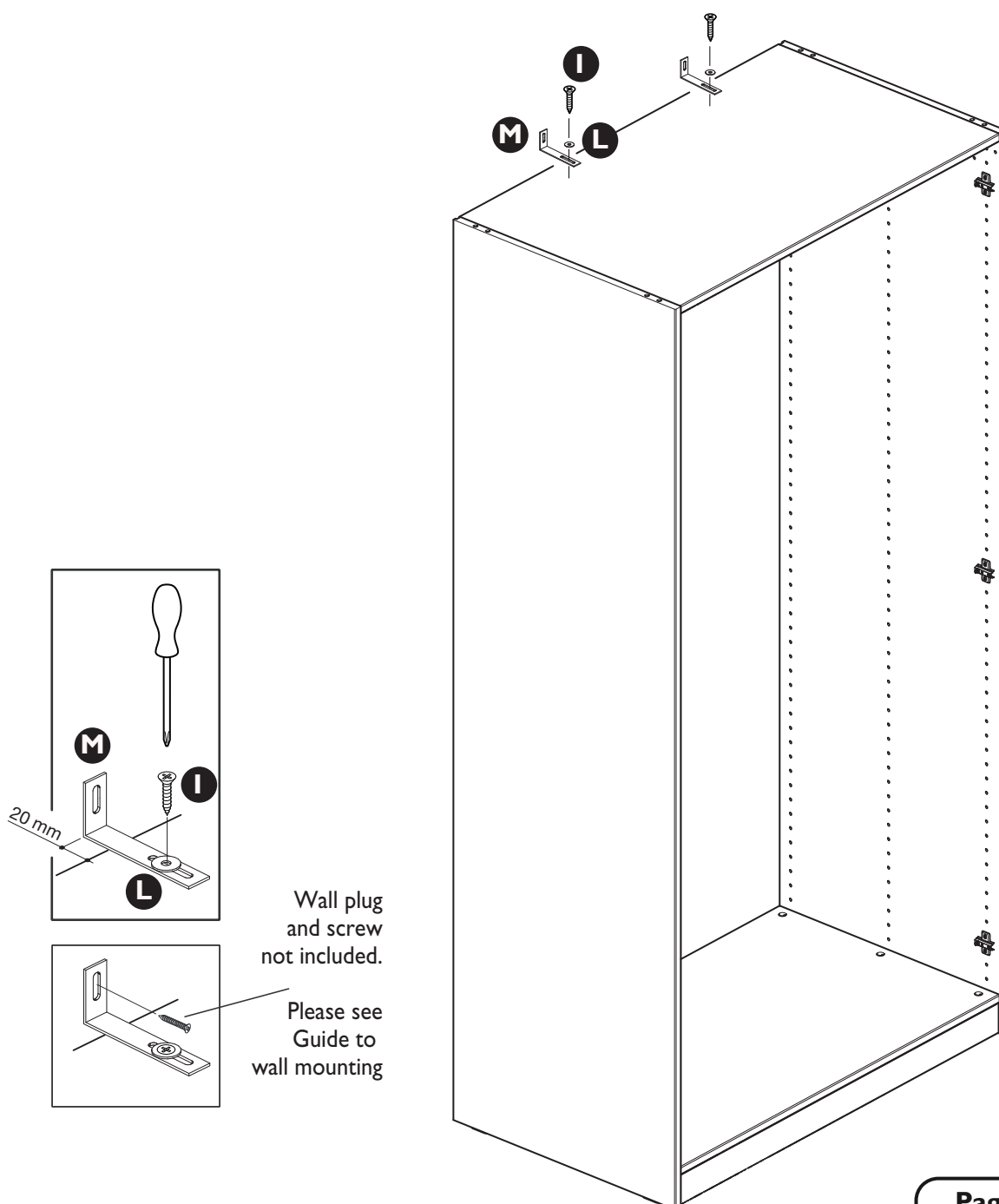
## Step Twelve

To prevent possible overbalancing we recommend that this unit is secured to a suitable wall by use of two 'L' Brackets (M) fitted to the Top of the unit.

1. Fix the Brackets (M) loosely onto the top of the unit using spacer (L) screw (I) and mark the wall for the wall fixing.
2. Swivel the Bracket (M) away from the wall and drill a hole in the wall using a suitable drill bit and fit your wall fixing.
3. Swivel the Bracket (M) back and fix the Bracket to the wall, then tighten Screw (I)

### ! IMPORTANT !

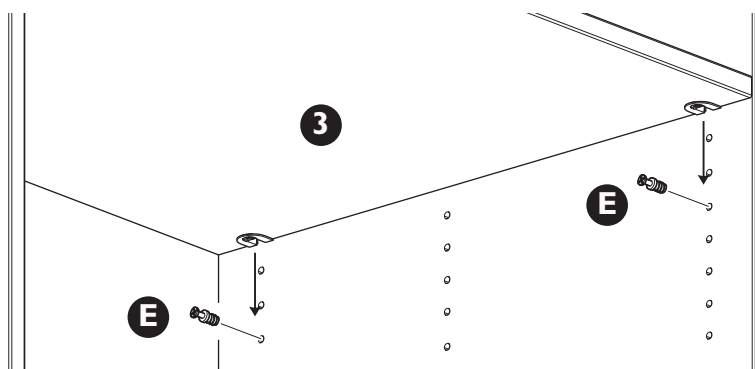
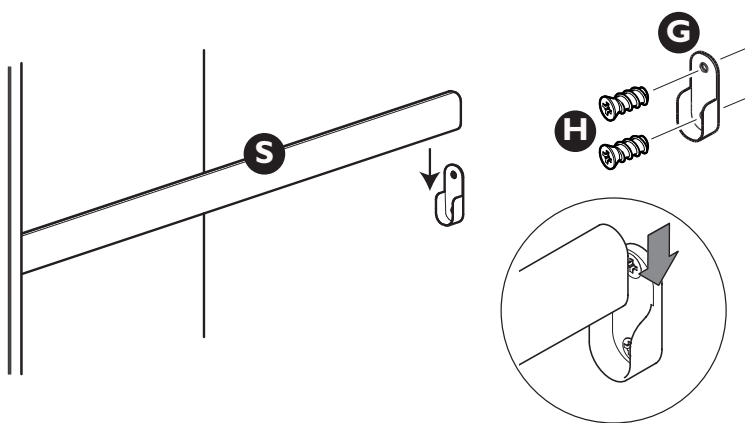
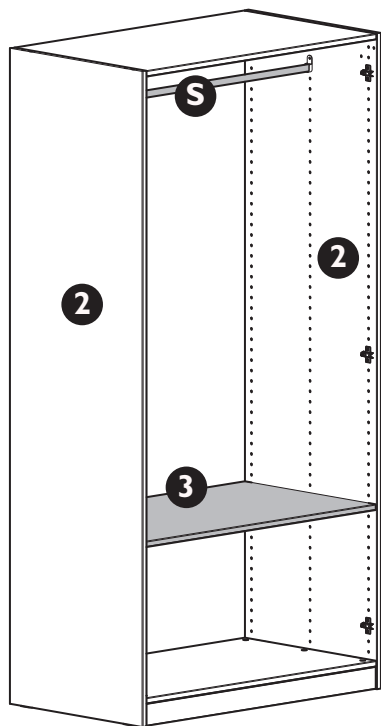
Take care when drilling the wall that you do not drill into any pipes, wires etc. If in doubt, consult an expert.  
Wall plug and screw not included. See wall fixing guide at page 14.



# Step by step assembly instructions

## Step Thirteen

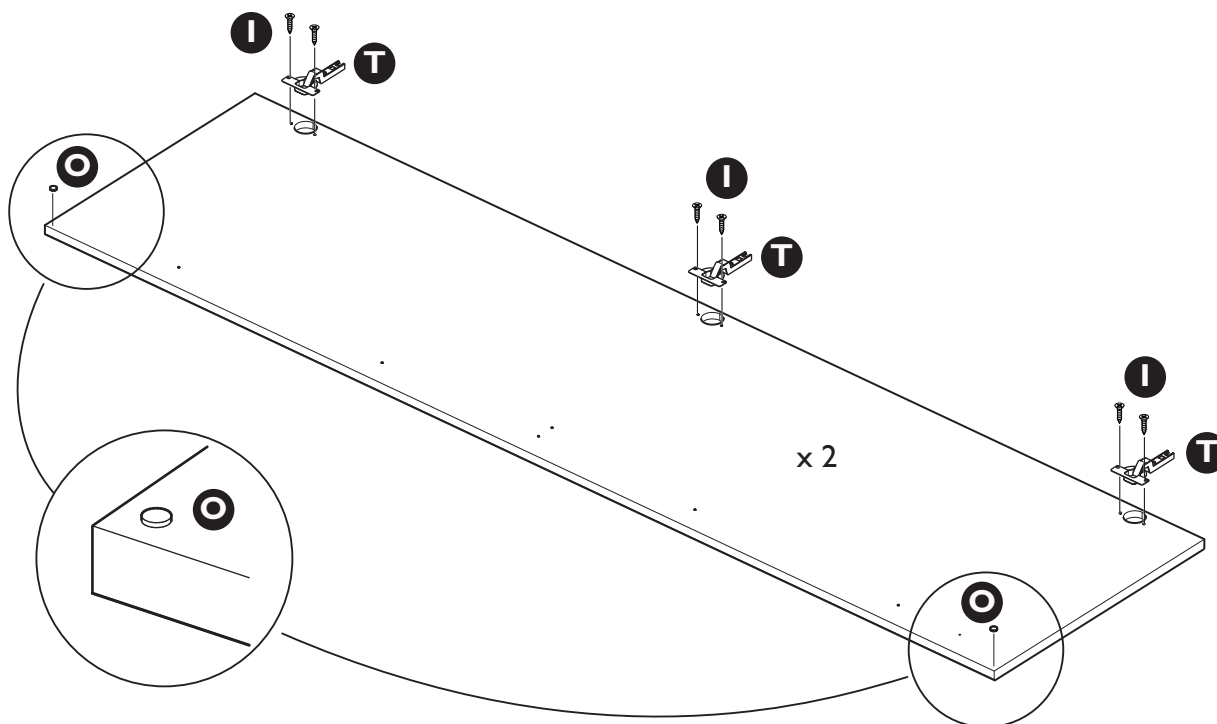
1. Chose shelf (3) and hanging rail (S) position.
2. Fix 2x hanger rail supports (G) onto the side panels (2) using the screws (H). Fit the hanging rail (S) on the rail supports (G) as shown.
3. Fix 4x shelf support (E) onto the side panels (2). Position the shelf on the shelf support as shown.



# Step by step assembly instructions

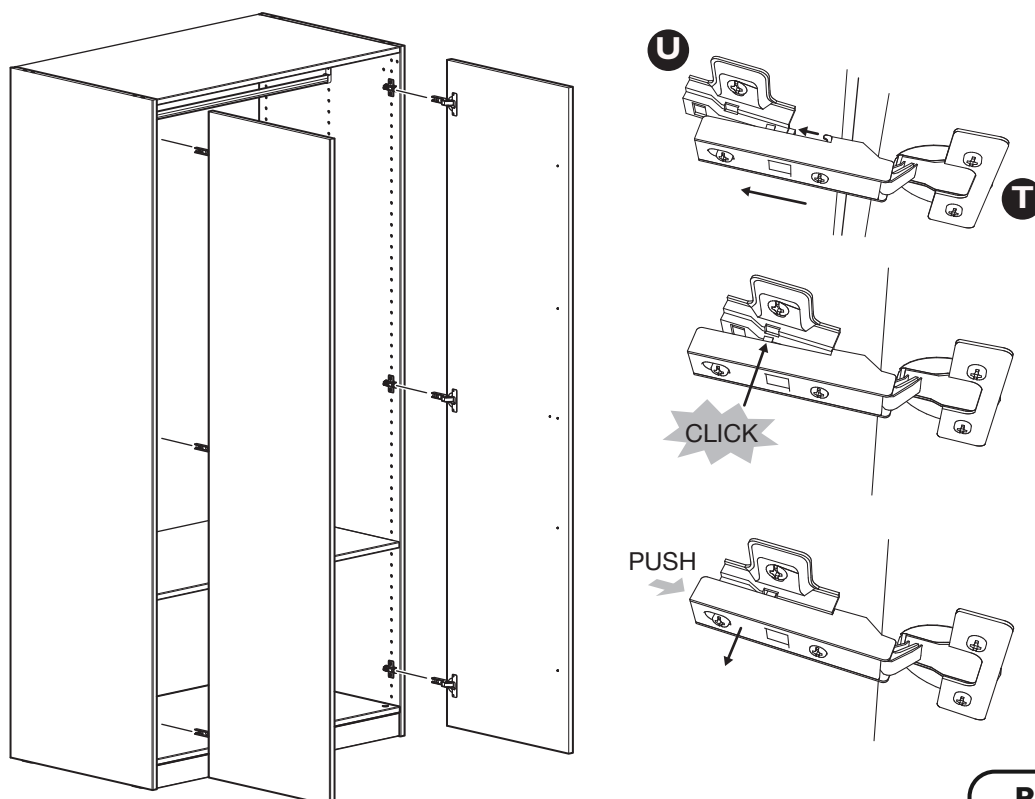
## Step Fourteen

1. Fix 3x hinges (U) to each door using 15 mm screws (I). Repeat with all the doors.



## Step Fifteen

1. Hang the clip hinge (T) to the hinge plate (U). Click them together.  
To remove the door push the clip hinge button and remove the door carefully.



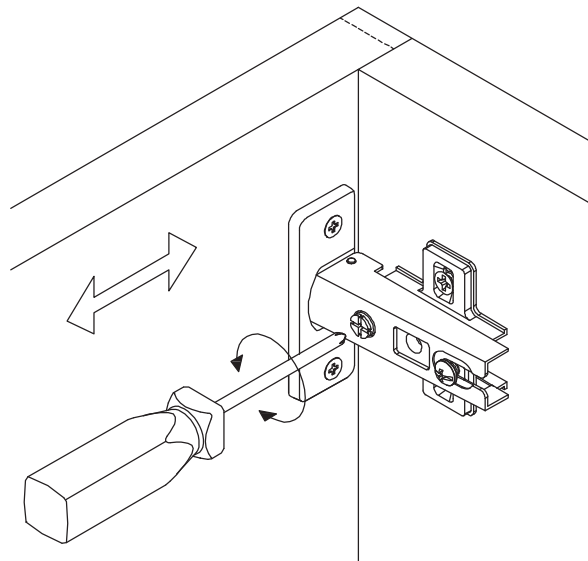
---

# HINGE ADJUSTMENT INSTRUCTIONS

---

## LATERAL ADJUSTMENT

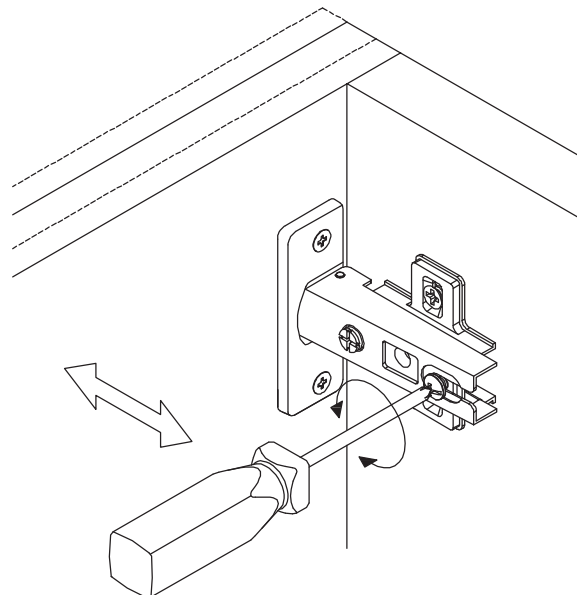
by screw adjustment.



---

## FRONT-TO-BACK

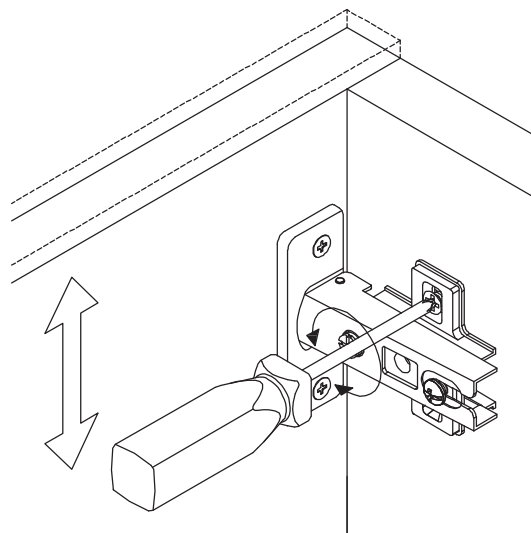
by slackening and re-tightening the hinge-arm mounting screw.



---

## VERTICAL ADJUSTMENT

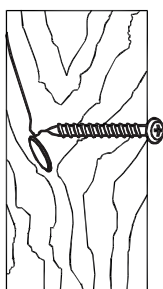
via slot on mounting plate by slackening and re-tightening the screws on mounting plate



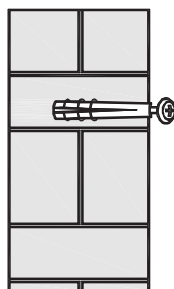
---

## Wall fixing - if in doubt seek professional advice

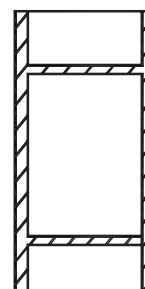
---



**Wood**  
If fixing to wood make sure that it isn't chipboard as screws can easily pull away from the core structure



**Brick or Masonry**  
Use an appropriate wall plug provided you are sure your wall is sound.



**Cavity wall**  
Special toggle wall plugs are needed. Seek expert advice.

---

## Care and Maintenance

---

This product has been manufactured using modern manufacturing methods and materials. With appropriate in-home care and maintenance it will provide trouble free performances. Many domestic multipurpose cleaning agents are unsuitable for use on this product. The use of aggressive chemicals can result in irreversible damage.

Please follow these guidelines carefully.

USE only 5% soap, 95% water solution, wiping with a damp (not wet) cloth.

Finally dry with a soft clean cloth. Dust with a soft clean cloth only.

DO NOT USE wax furniture polish, abrasive or aggressive cleaners, bleach or hypochlorate (chlorine) based cleaners, multi-purpose cleaners, dilutes, acetone, alcohol, solvent or similar products.

---

## Safety Instructions

---

Never drag furniture when moving it, always lift it.

Periodically check all fixings to ensure none have come loose and re-tighten when necessary.

Please take care when handling or moving the furniture as careless handling may cause damage or injury.

Furniture can be dangerous if incorrectly installed. Assembly should be carried out by a competent person. No liability will be accepted for damage or injury caused by incorrectly installed or assembled furniture.

It is recommended that before moving a heavy object to a new location it is completely dis-assembled to avoid personal injury or damage to the furniture. Please be careful to retain all fittings when doing this.

This product is designed to be fixed securely to a sound wall in the manner stated.

It must under no circumstances be used free-standing. No liability will be accepted for damage or injury caused by inadequate fixing or use without fixing.

**PLEASE KEEP THESE INSTRUCTIONS FOR FUTURE REFERENCE**

John Lewis Partnership 171 Victoria Street London SW1E 5NN

[www.johnlewis.com](http://www.johnlewis.com)