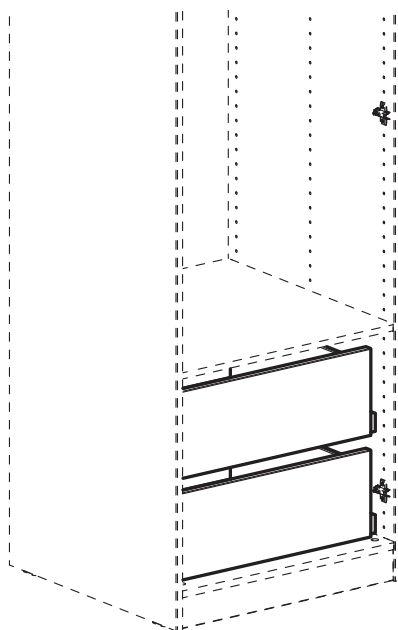


John Lewis

Mixit internal drawers single L.50

Stock Code: 80319703

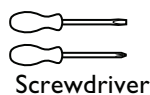
Thank you for purchasing this Mixit internal drawers single L.50. Please read the instructions carefully before use to ensure safe and satisfactory operation of this product.



PRE-ASSEMBLY PREPARATION

Please ensure instructions are read in full before attempting to assemble this product.

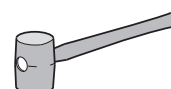
Necessary Tools



Screwdriver



Eye protection



Hammer

Please check the pack contents before attempting to assemble this product. A full checklist of components is given in this leaflet. If any components are missing, please contact your the John Lewis Helpline.

TAKE CARE WHEN LIFTING to avoid personal injury and (or) damage to the product.

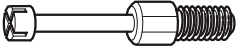

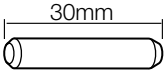





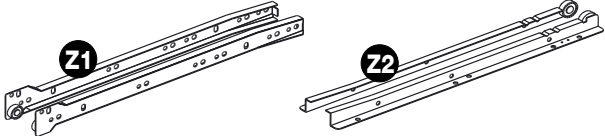
This product takes approximately **45 MINUTES** to assemble.

The fittings pack contains **SMALL ITEMS** which should be **KEPT AWAY FROM YOUNG CHILDREN**.

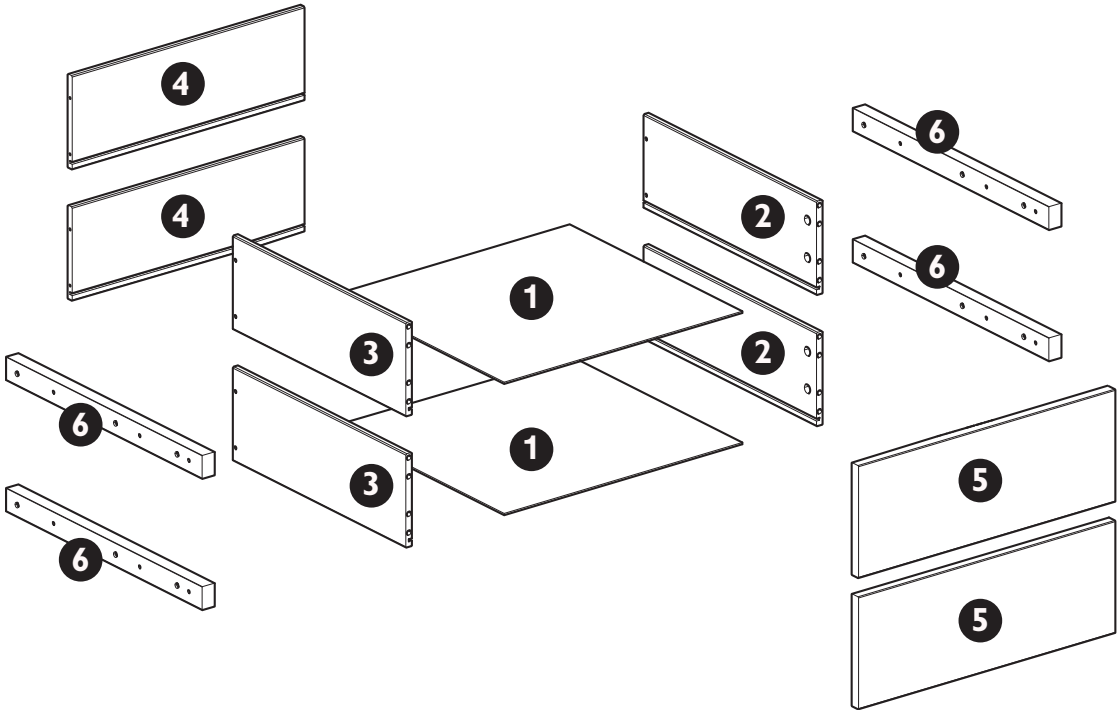
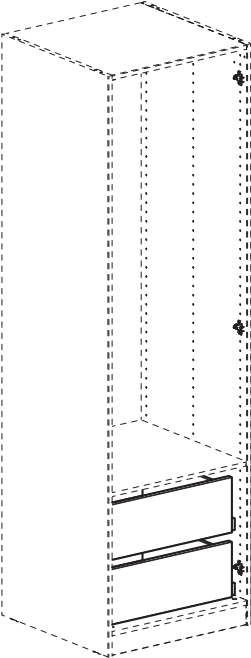
Read this leaflet in full before commencing assembly.

If you are missing some fittings please contact our spare parts helpline on 0330 005 9435.
Opening hours are 9am - 5pm Monday to Friday.

Fittings checklist

<p>A</p>  <p>Metal dowel x 8</p>	<p>B</p>  <p>Short cam lock x 8</p>	<p>C</p>  <p>Wooden dowel x 8</p>
<p>D</p>  <p>40mm screw x 12</p>	<p>E</p>  <p>30mm Screw x 8</p>	<p>F</p>  <p>15mm Screw x 16</p>
<p>G</p>  <p>Threaded bush x 8</p>	<p>H</p>  <p>11mm Euro screw x 12</p>	
 <p>Pair of rollers 2</p>		

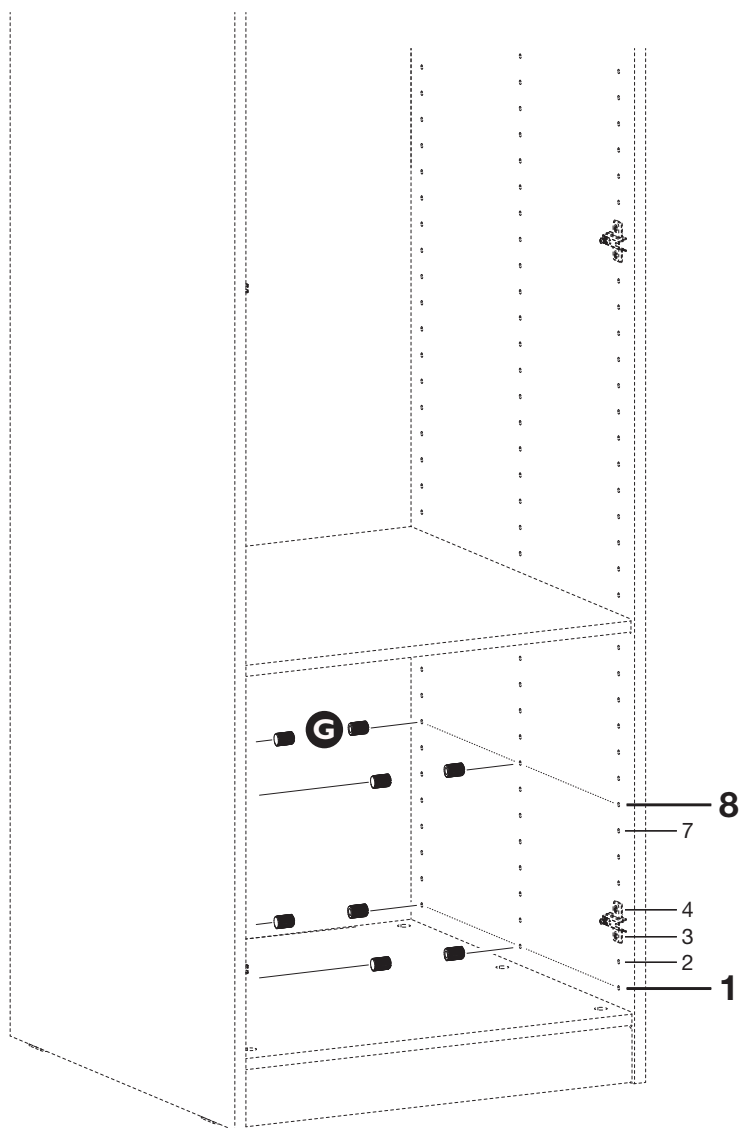
Parts checklist



Step by step assembly instructions

Step One

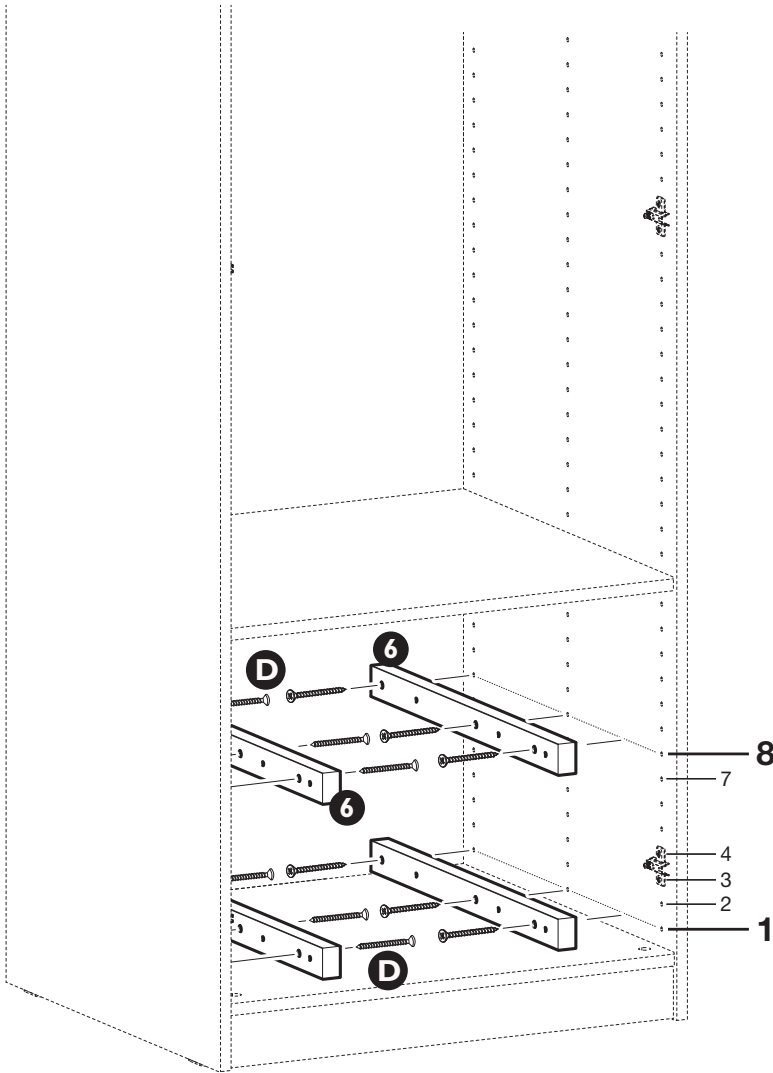
1. Insert 8x threaded bush (G) into the holes on side panels as shown, with the help of a hammer.



Step by step assembly instructions

Step Two

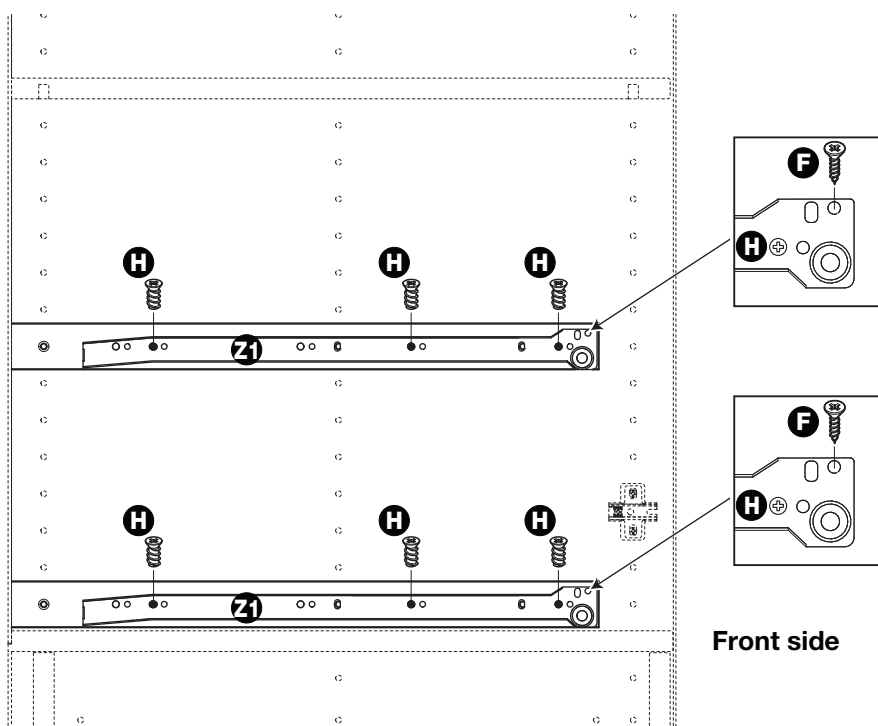
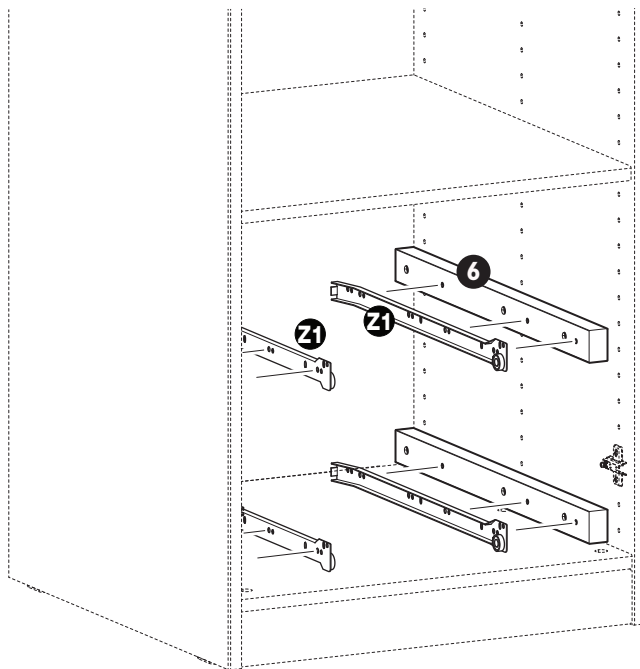
- 1. Fix 4x spacers (6) to side panels through holes shown in the view using 12x screws (D).



Step by step assembly instructions

Step Three

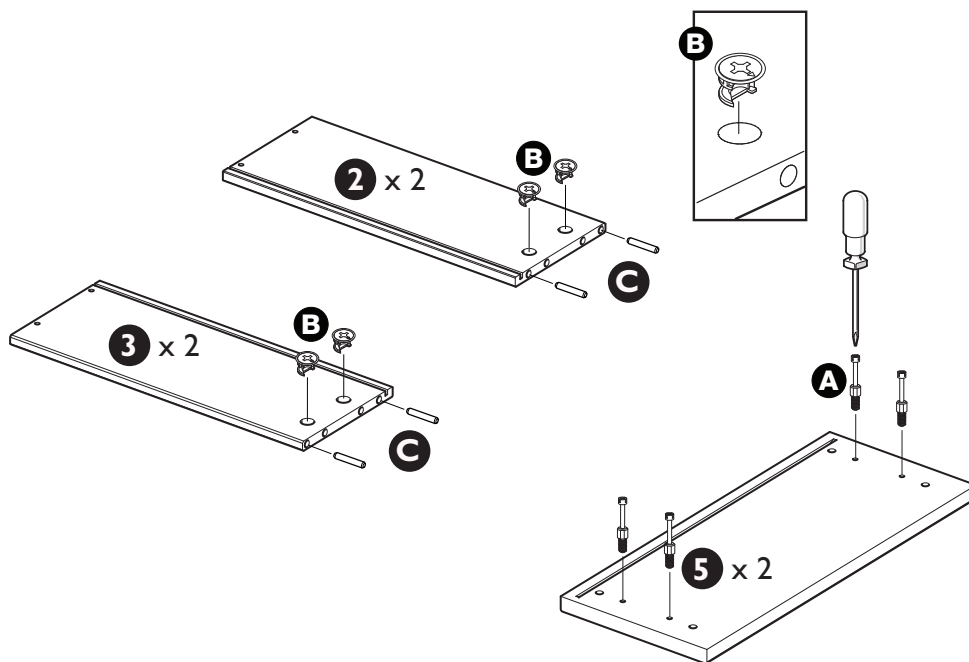
1. Fix 4x runner parts (Z1) to the spacers (6) through holes shown in the detail view using 12x euroscrews (H) and 4x screws (F).



Step by step assembly instructions

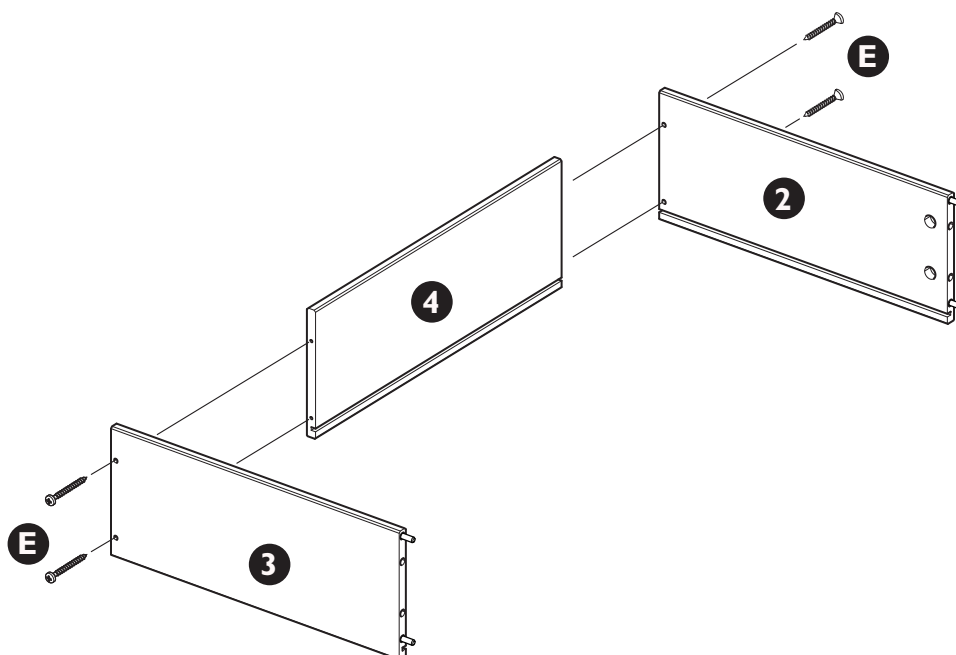
Step Four

1. Attach 4x wooden dowels (C) into the pre-drilled holes on drawer sides (2) (3) as shown, repeat for all drawers.
2. Place the cam lock (B) into the holes on drawer sides (2) (3) as shown, arrow pointing towards the bolt, repeat for all drawers.
3. Attach 4x metal dowels (A) into the pre-drilled holes on drawer front (5). Use a screwdriver to turn fitting (A) clockwise to fix, repeat for all drawers.



Step Five

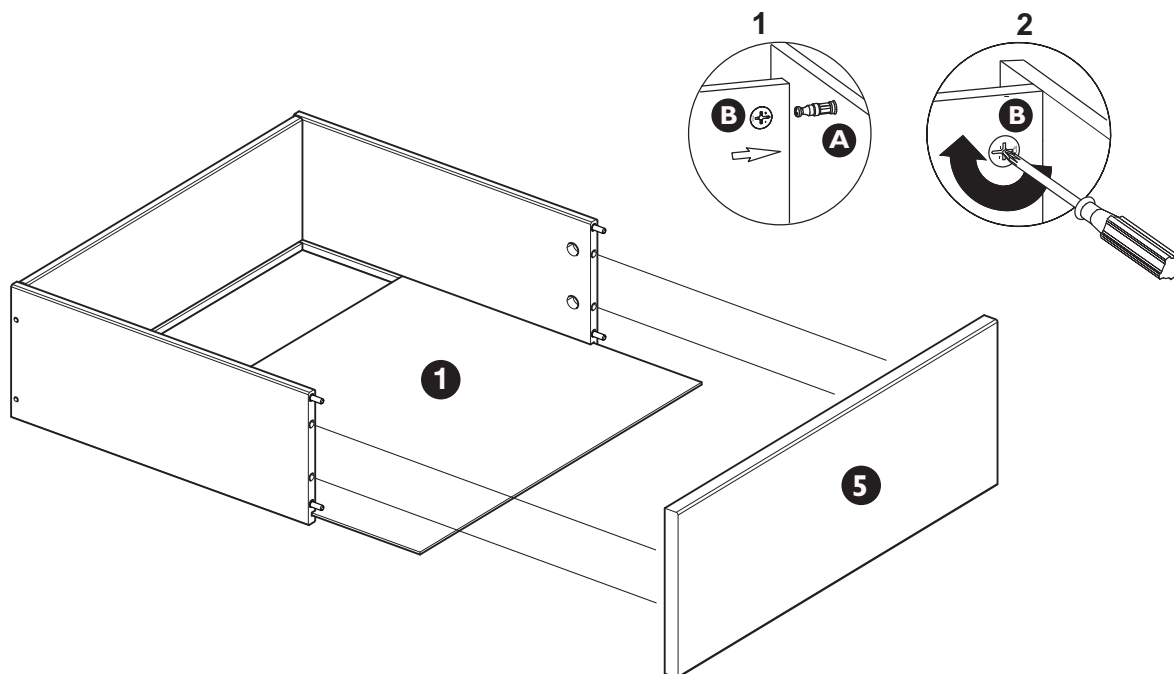
1. Fit the RH (2) and LH (3) drawer sides to the drawer back (4) using 30 mm screws (E), repeat for all drawers.



Step by step assembly instructions

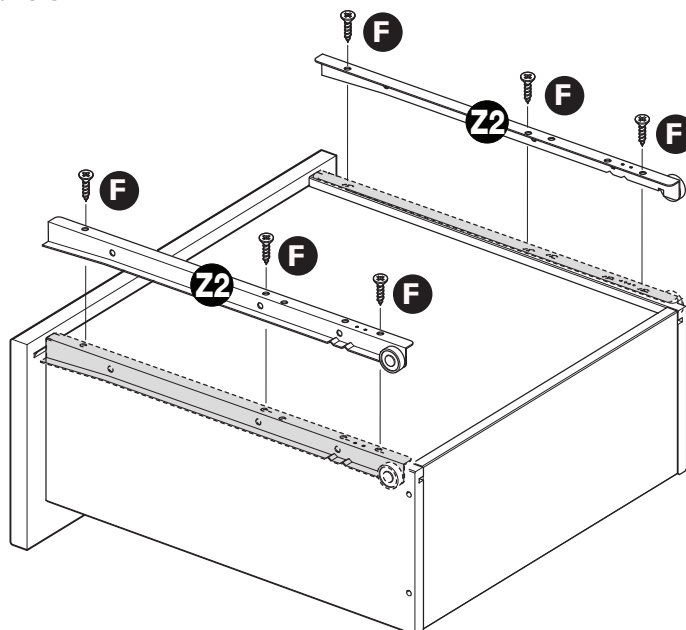
Step Six

1. Slide drawer bottom panel (1) into the drawer box grooves.
2. Position drawer front (5) onto drawer box, turn locking nuts (B) clockwise to lock.
repeat for all drawers



Step Seven

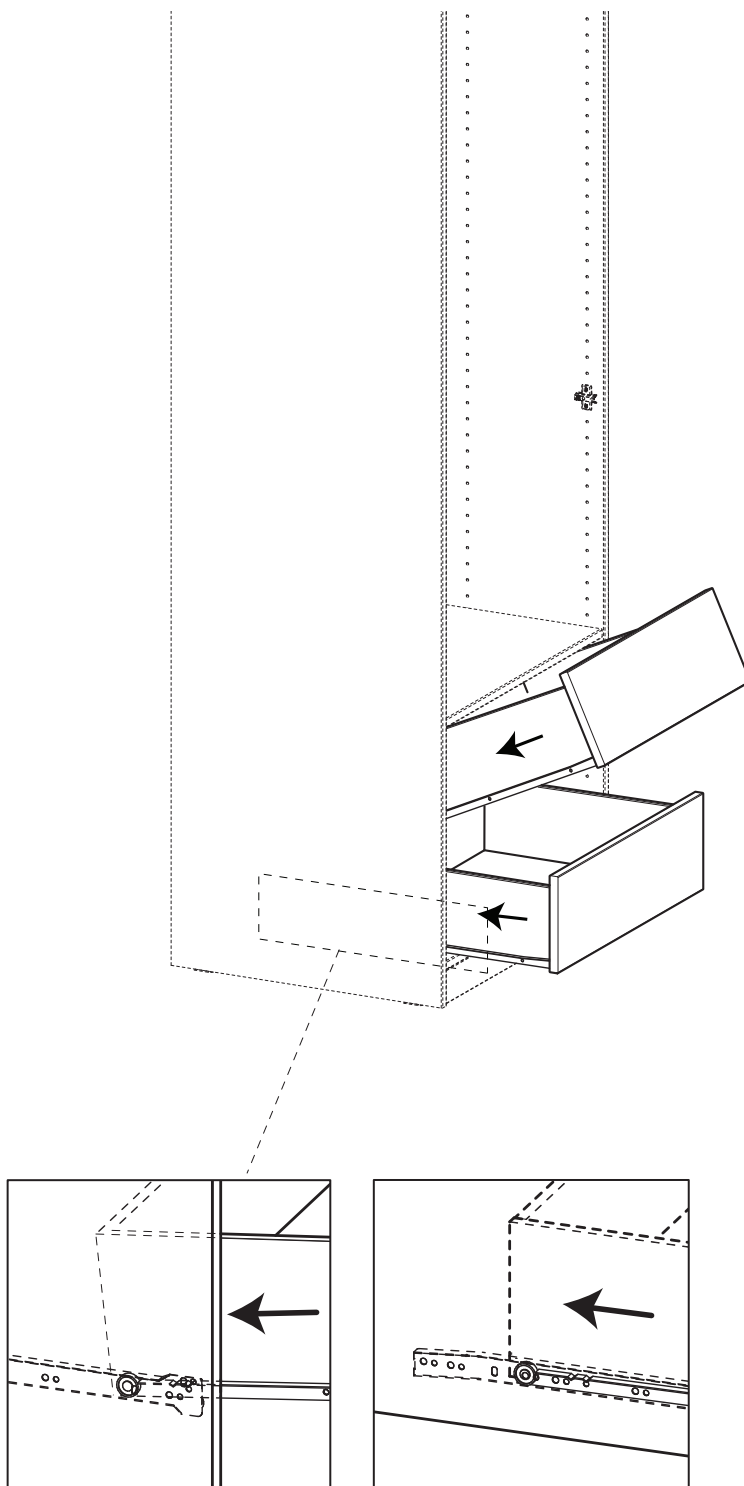
1. Fix 2x runner part (Z2) onto the drawer using 6x screws (F)
repeat for all drawers.
2. Position 2x fixing blocks (F) into the groove of the drawer back, drawer front and screw to fix.
repeat for all drawers.



Step by step assembly instructions

Step Eight

1. Tilt the drawer as shown.
2. Slide the drawer box along the runner parts until the stop.
Wheels and runner parts have to be correctly matched as shown.



Care and Maintenance

This product has been manufactured using modern manufacturing methods and materials. With appropriate in-home care and maintenance it will provide trouble free performances. Many domestic multipurpose cleaning agents are unsuitable for use on this product. The use of aggressive chemicals can result in irreversible damage.

Please follow these guidelines carefully.

USE only 5% soap, 95% water solution, wiping with a damp (not wet) cloth.

Finally dry with a soft clean cloth. Dust with a soft clean cloth only.

DO NOT USE wax furniture polish, abrasive or aggressive cleaners, bleach or hypochlorate (chlorine) based cleaners, multi-purpose cleaners, dilutes, acetone, alcohol, solvent or similar products.

Safety Instructions

Never drag furniture when moving it, always lift it.

Periodically check all fixings to ensure none have come loose and re-tighten when necessary.

Please take care when handling or moving the furniture as careless handling may cause damage or injury.

Furniture can be dangerous if incorrectly installed. Assembly should be carried out by a competent person. No liability will be accepted for damage or injury caused by incorrectly installed or assembled furniture.

It is recommended that before moving a heavy object to a new location it is completely dis-assembled to avoid personal injury or damage to the furniture. Please be careful to retain all fittings when doing this.

This product is designed to be fixed securely to a sound wall in the manner stated.

It must under no circumstances be used free-standing. No liability will be accepted for damage or injury caused by inadequate fixing or use without fixing.

PLEASE KEEP THESE INSTRUCTIONS FOR FUTURE REFERENCE

John Lewis Partnership 171 Victoria Street London SW1E 5NN

www.johnlewis.com