

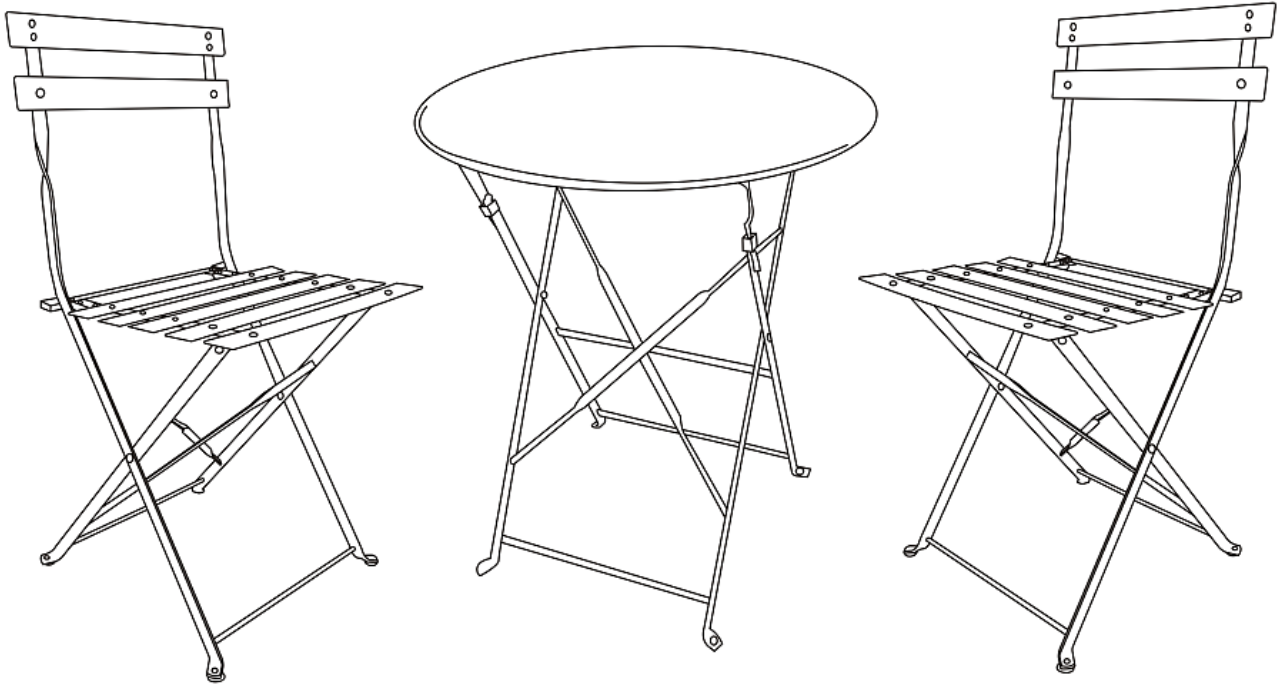
# JL Soho Bistro Set

Stock number: 820/01001

---

Thank you for purchasing this JL Soho Bistro Set. Please read the instructions carefully before use to ensure safe and satisfactory operation of this product

---



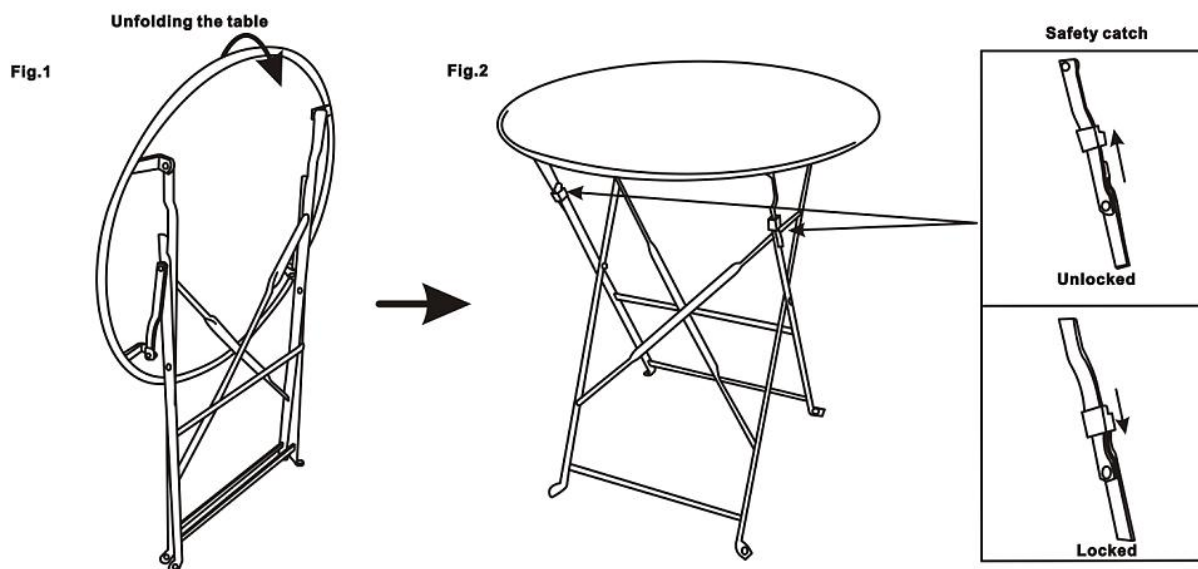
**THIS JL SOHO BISTRO CHAIR REQUIRES NO ASSEMBLY**

---

---

## Opening and Closing the Table

---

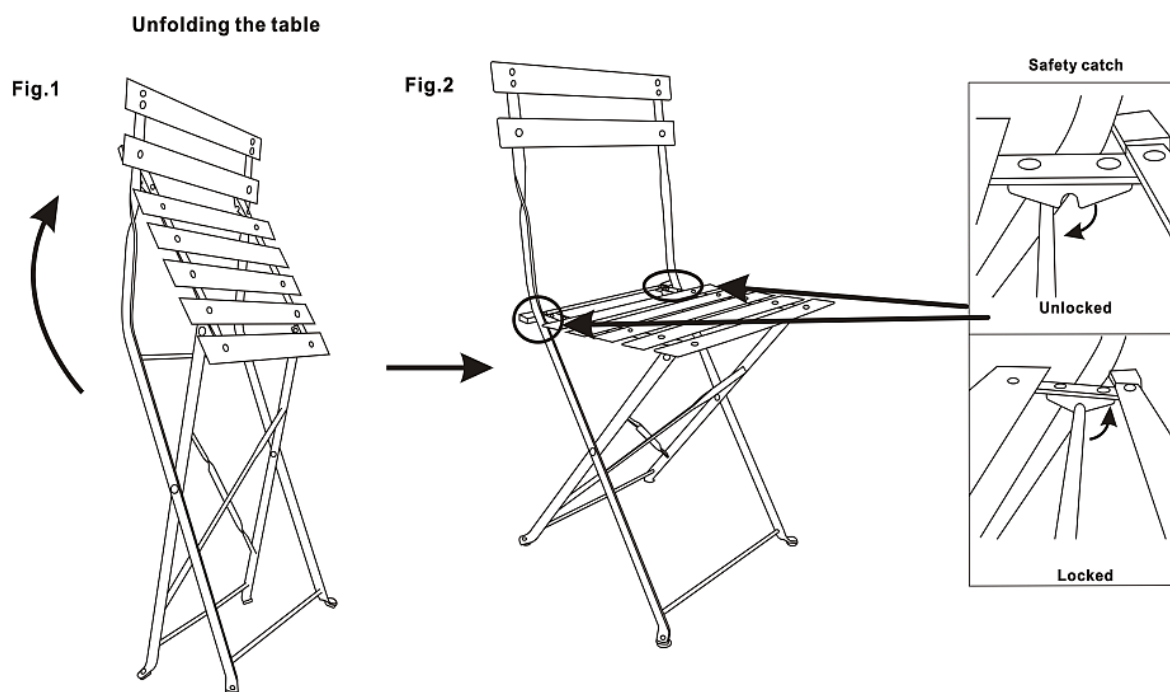


1. Place the table on a flat level surface, lift lower edge of the table and open out.
2. Engage the safety catches as shown.
3. The table is folded by sliding up the safety catches reversing the above steps.

---

## Opening and Closing the Chair

---



1. To unfold the chair, lift up the back edge of the seat and open out the chair legs until the seat is horizontal.
2. Place the chair on a flat level surface and engage the safety catch as shown.
3. To fold the chair, unhook the safety catch, lift the back edge of the seat and reverse the above steps.

---

## Care and Maintenance

---

**WARNING!** As with all articulated furniture, please exercise care when folding, unfolding or adjusting positions to avoid any possibility of pinched or trapped fingers.

- Do not use a metal brush when removing dirt from this item as it will strip the paint off leaving the surface open to corrosion.
- Wash the frame with a mild soap and water only. Rinse and dry thoroughly.
- To extend the product life and appearance it is advisable to store the furniture in a cool dry place over winter.
- Ensure that the furniture is clean and completely dry before putting in to storage. Do NOT enclose the product in a plastic or other non-permeable material as this creates moisture.
- In the event of the surface paint chipping or scratching, the easiest way to treat the problem is to treat with a spray paint / aerosol lacquer spray, equivalent to the colour of the furniture. This would prevent the metal from being exposed, preventing it from further deterioration.

---

## Safety Instructions

---

- Never drag furniture when moving it, always lift it.
- Please take care when handling or moving the furniture as careless handling may cause damage or injury.
- This furniture has been designed for domestic use only.
- Make sure that the safety lock is fully engaged before sitting.
- Take care when opening and folding the furniture. Keep your hands away from moving parts in order to prevent trapping your fingers. Children should not open or close the furniture.
- Do not place very hot or very cold items on the table surface(s) unless adequately thick table mats are used to prevent such items from coming into contact with the table.
- Do not sit or stand upon the table surface(s)
- Do not use the table as a chopping surface. Do not strike the table with hard or pointed items.

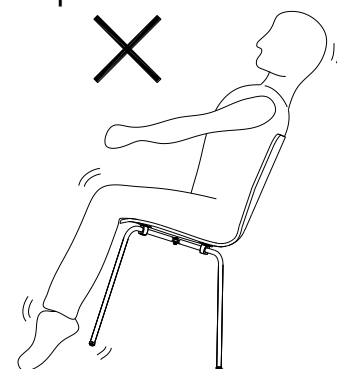
### Important safety note:

Do NOT Use the chair as a ladder

Do NOT stand on the seat of the chair.

Do NOT Climb on the chair

Never tilt the chair. Ensure the chair is always placed firmly on a solid level surface



**PLEASE KEEP THESE INSTRUCTIONS FOR FUTURE REFERENCE**

John Lewis Partnership 171 Victoria Street London SW1E 5NN

[www.johnlewis.com](http://www.johnlewis.com)