

John Lewis

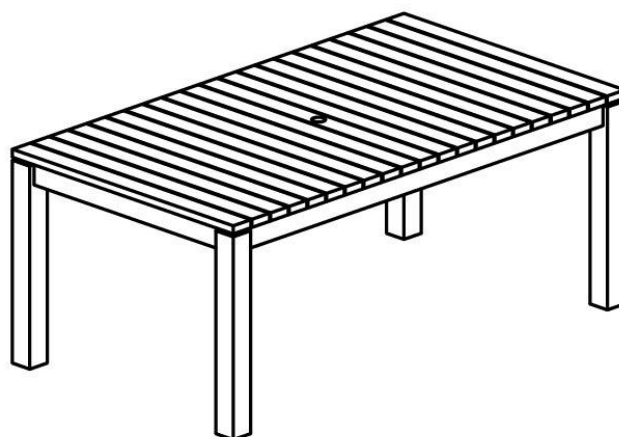
# JL Bilbao Dining Table

Stock number: 820/31101

---

Thank you for purchasing this JL Bilbao Dining Table. Please read the instructions carefully before use to ensure safe and satisfactory operation of this product

---



---

## Pre-Assembly Preparation

Please ensure instructions are read in full before attempting to assemble this product

---

### Necessary Tools



---


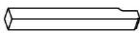
Please check the pack contents before attempting to assemble this product. A full checklist of components is given in this leaflet. If any components are missing, please contact the retailer from whom you bought this product.

This product is **HEAVY**, it should be assembled as near as possible to the point of use. **TAKE CARE WHEN LIFTING** to avoid personal injury and (or) damage to the product.



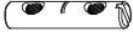


This product takes approximately **20 MINUTES** to assemble with **2 PEOPLE**.

The fittings pack contains **SMALL ITEMS** which should be **KEPT AWAY FROM YOUNG CHILDREN**.

# Fittings and Parts Checklist

A		Table top x 1
B		Table Leg x 4

## Hardware

1		8 x Threaded Bolt	4		8 x Metal Washer
2		4 x Double Cross Dowel	5		1 x Spanner
3		8 x Nuts			

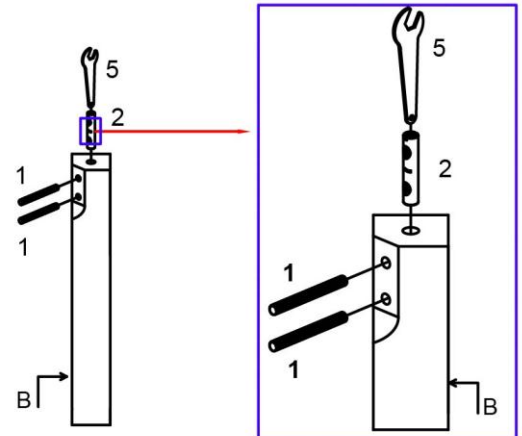
---

## Step by Step Assembly Instructions

---

### Step One

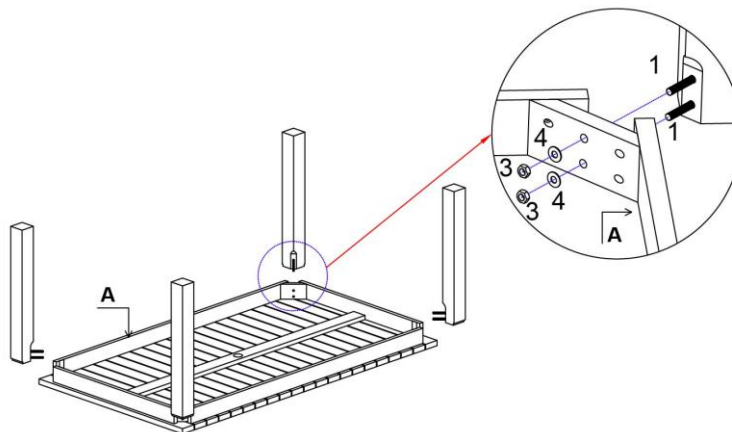
1. Insert **Double Cross Dowel (2)** into the pre drilled hole at the top of the **Table Leg (B)** using the end of the **Spanner (5)** to help align with holes. **Note:** the mark engraved on the double cross dowel must face towards the holes on the leg as shown in the diagram below.
2. Holding the **Cross Dowel (2)** in place with the spanner, insert and tighten **2 x Threaded Bolt (1)** into the table leg.
3. Repeat the above steps for the other 3 table legs.



---

### Step Two

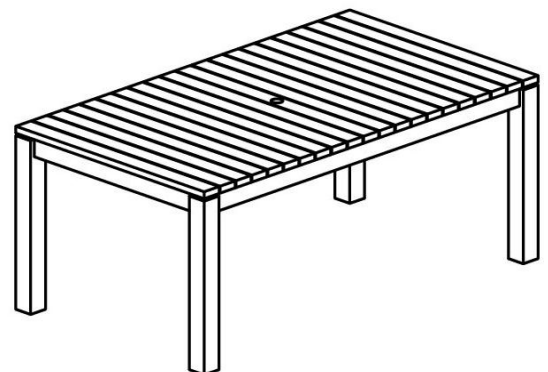
1. Place **Table Top (A)** up-side-down on a clean, dry & smooth surface that will not scratch the table top.
2. Attach the **Table Legs (B)** to the **Table Top (A)** using **Flat Washers (4)**, and **Hex Nut (3)** as shown in the diagram below.
3. Tighten the nuts with the **Spanner (5)**.



---

### Step Three

1. With the help of another person, carefully turn the table the right way up, taking care not to pivot on the legs. Place the table on an even level surface ensuring that each leg is in full contact with the ground.
2. The Table is now ready to use.



---

## Care and Maintenance

---

### Wood Furniture

This product is made from FSC Eucalyptus and has been painted and sealed with PU paint, suitable for outside use.

Wood is a natural material and its colour can vary. Wood absorbs and releases moisture so different types of weather will greatly influence the long term look of this product.

Wood displays different grain patterns depending on which way they cut - for example, the 'medullary ray' which can appear on oak furniture is a mark of good quality timber - these are just characteristics of the natural beauty of the wood. Some furniture is also deliberately aged and rustic.

All timber surfaces will change colour and mellow over time. New furniture will initially vary in shade from items that have been previously purchased.

### How to Care for your Wood Furniture

To clean this product you can wash it with a mild detergent, taking care not to scrub too hard to avoid scratching. Only use a low pressure hose to rinse it, high pressure sprays can encourage the paint to flake off. Make sure that the product is thoroughly dried with a soft lint free cloth each time you clean it.

Clean up any accidental food or drink spills as quickly as possible to prevent staining.

**To extend the product life** and appearance it is advisable to store the furniture in a cool dry place over winter. Ensure that the furniture is clean and completely dry before putting in to storage. Do NOT enclose the product in a plastic or other non permeable material as this promotes the growth of mildew and mould. Cover it with a dust sheet or furniture cover allowing the air to circulate around it.

---

## Safety Instructions

---

Never drag furniture when moving it, always lift it.

Periodically check all fixings to ensure none have come loose and re-tighten where necessary.

Please take care when handling or moving the furniture as careless handling may cause damage or injury.

This furniture has been designed for domestic use only.

Ensure that the furniture is always on a solid and level surface and the legs are in contact with the ground at all times.

Parasols should be used with a separate weighted base to ensure stability. Never leave parasol open and unattended when not in use.

Do not sit or stand on the table.

This product complies with:

BS EN 581-1: 2006 and BS EN 581-3: 2007

**PLEASE KEEP THESE INSTRUCTIONS FOR FUTURE REFERENCE**