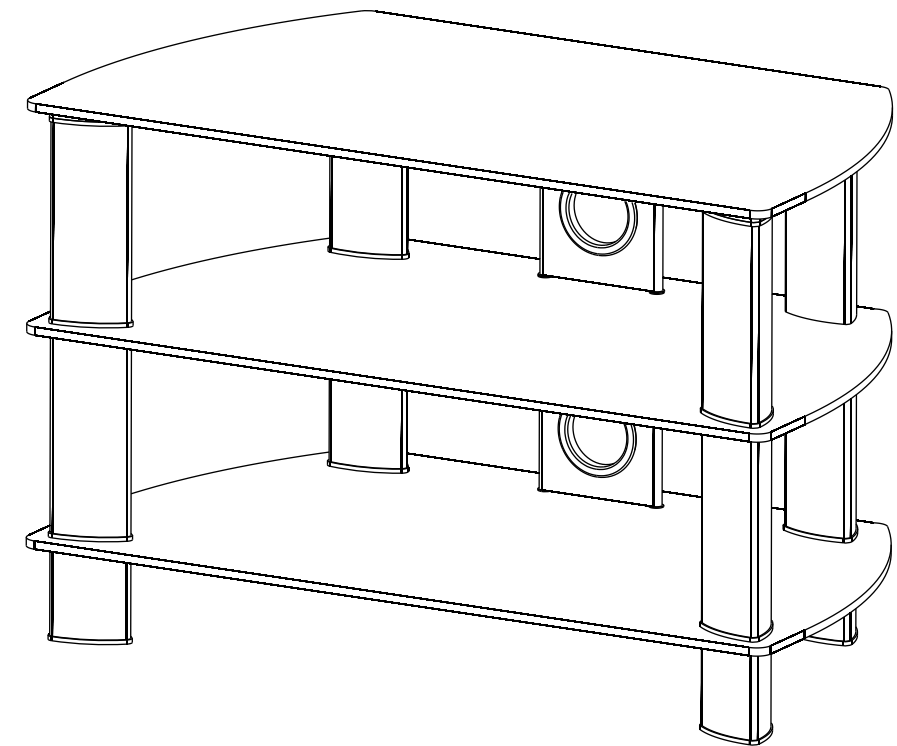
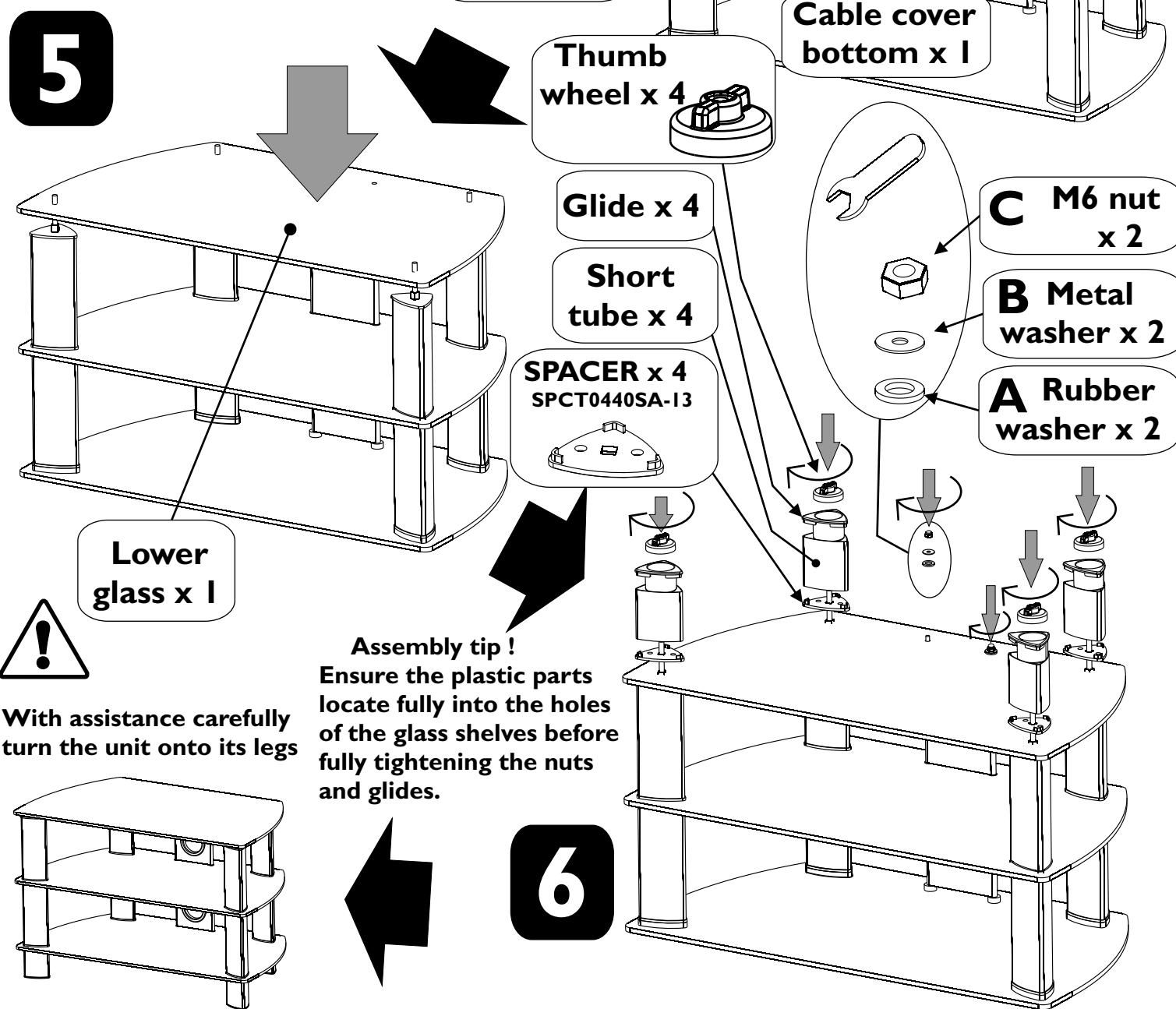


Model Nos. JL600/C/10 (chrome/clear)
 JL600/B/10 (black/black)
 JL800/C/10 (chrome/clear)
 JL800/B/10 (black/black)
 JL1050/B/10 (black/black)

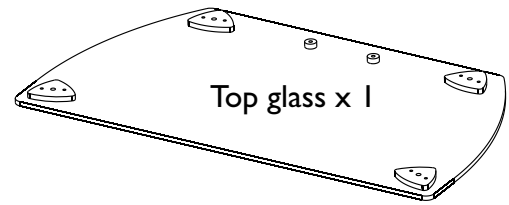
Flat screen television stand

Assembly instructions



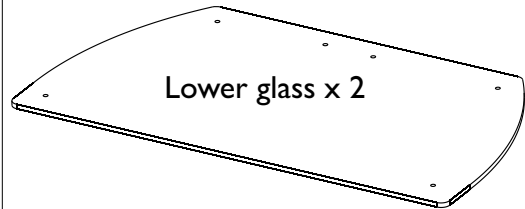
John Lewis

Parts information:



Top glass x 1

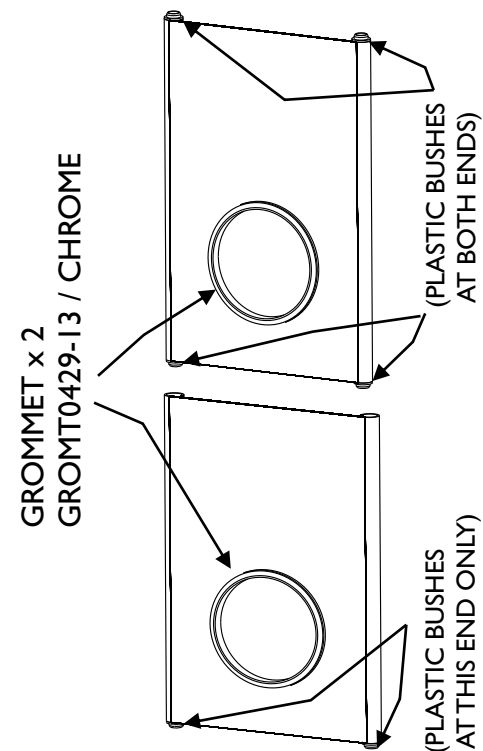
600mm wide - GLST0468T-00 clear
 600mm wide - GLST0468T-08 black
 800mm wide - GLST0469T-00 clear
 800mm wide - GLST0469T-08 black
 1050mm wide - GLST0470T-08 black



Lower glass x 2

600mm wide - GLST0468L-00 clear
 600mm wide - GLST0468L-08 black
 800mm wide - GLST0469L-00 clear
 800mm wide - GLST0469L-08 black
 1050mm wide - GLST0470L-08 black

Cable cover (bottom) x 1
 TRMT0429B-15 / silver
 TRMT0429B-08 / black



GROMMET x 2
 GROMT0429-13 / CHROME

(PLASTIC BUSHES
 AT BOTH ENDS)

(PLASTIC BUSHES
 AT THIS END ONLY)

Cable cover (top) x 1
 TRMT0429T-15 / silver
 TRMT0429T-08 / black

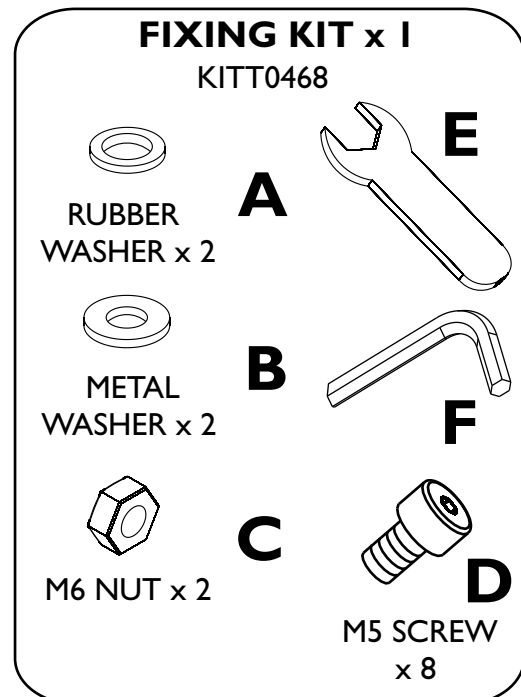
M8 studding x 4

JL800/1050 - STUT0429-M8-480

JL600 - STUT0468-M8-475

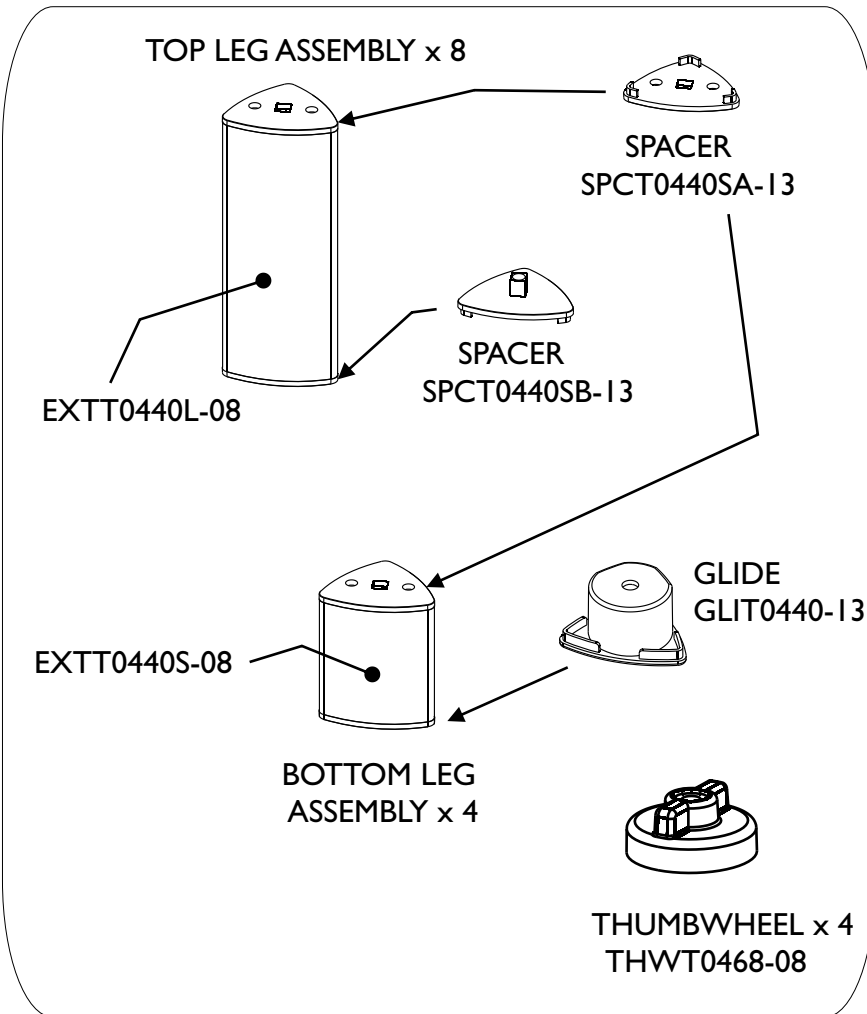
STUT0419-M6-430

M6 studding x 2



FIXING KIT x 1
 KITT0468

RUBBER WASHER x 2 **A**
 METAL WASHER x 2 **B**
 M6 NUT x 2 **C**
 M5 SCREW x 8 **D**
 Wrench **E**
 Hex key **F**



TOP LEG ASSEMBLY x 8

SPACER
 SPCT0440SA-13

EXTT0440L-08

SPACER
 SPCT0440SB-13

EXTT0440S-08

GLIDE
 GLIT0440-13

BOTTOM LEG
 ASSEMBLY x 4

THUMBWHEEL x 4
 THWT0468-08

IMPORTANT SAFETY INFORMATION !

Thank you for purchasing this product. Please read the instructions carefully to ensure safe and satisfactory assembly and use of this product. Every care has been taken to ensure that your product has reached you in perfect condition, **if you experience any of the following**

Missing parts

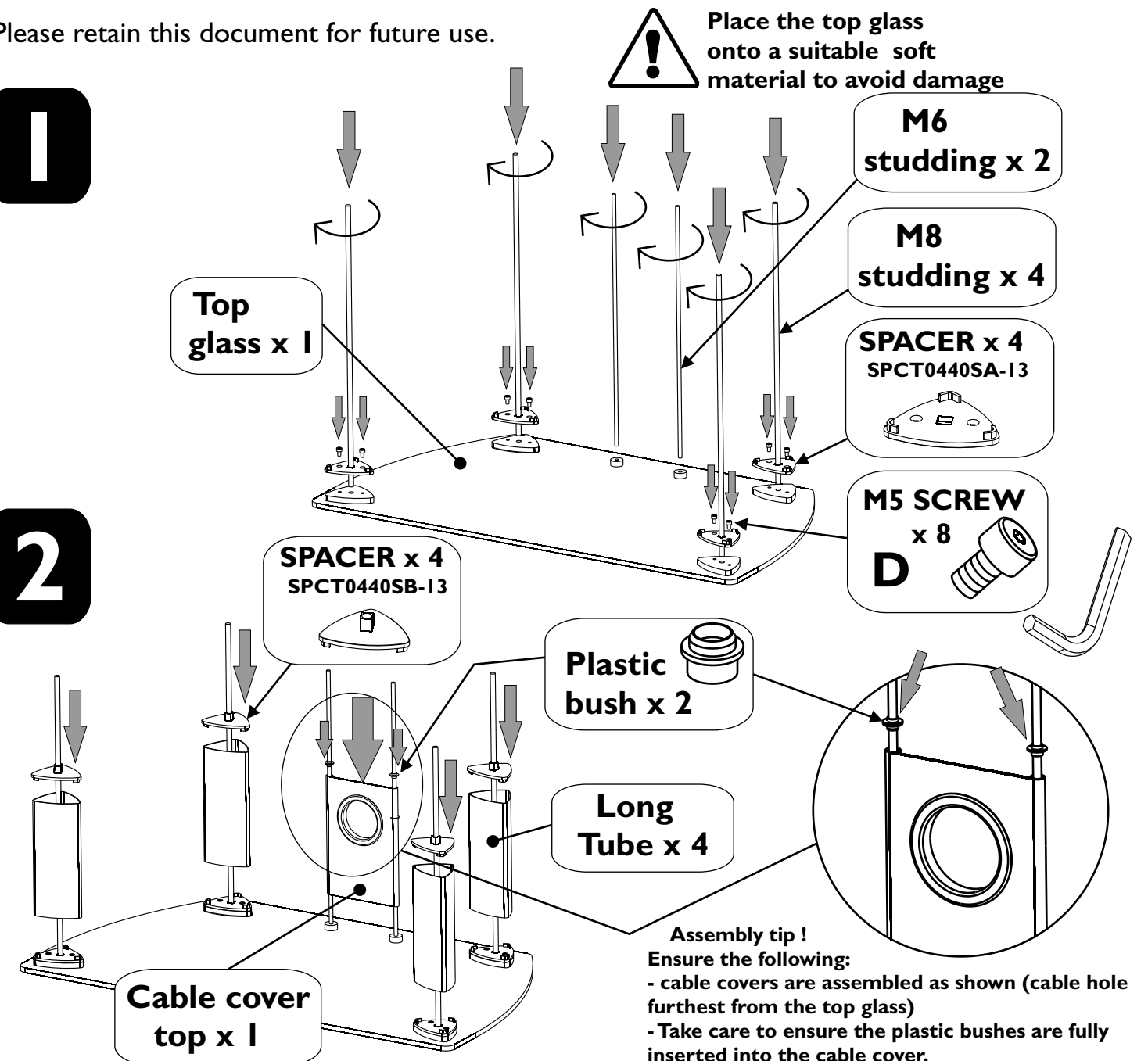
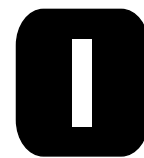
Damaged parts

Difficulty with assembly, then please contact us on 01480 434253

WARNING !

Glass supplied is toughened to BS6206A - Please handle with care. Do not strike the glass with hard or pointed items. Do not place hot or cold items directly onto the glass. Do not stand, sit or climb on the glass as this could result in personal injury and damage to your equipment. Do not use solvents or abrasive cleaners for cleaning this product, use a damp cloth. **Maximum safe load for top glass shelf is 100kg (50kg on JL600/B/10 and JL600/C/10) and 12kg on lower shelves.**

Please retain this document for future use.



Place the top glass onto a suitable soft material to avoid damage

M6 studding x 2

M8 studding x 4

SPACER x 4
 SPCT0440SA-13

M5 SCREW x 8

D

Top glass x 1

SPACER x 4
 SPCT0440SB-13

Plastic bush x 2

Long Tube x 4

Cable cover top x 1

Assembly tip !
 Ensure the following:
 - cable covers are assembled as shown (cable hole furthest from the top glass)
 - Take care to ensure the plastic bushes are fully inserted into the cable cover.