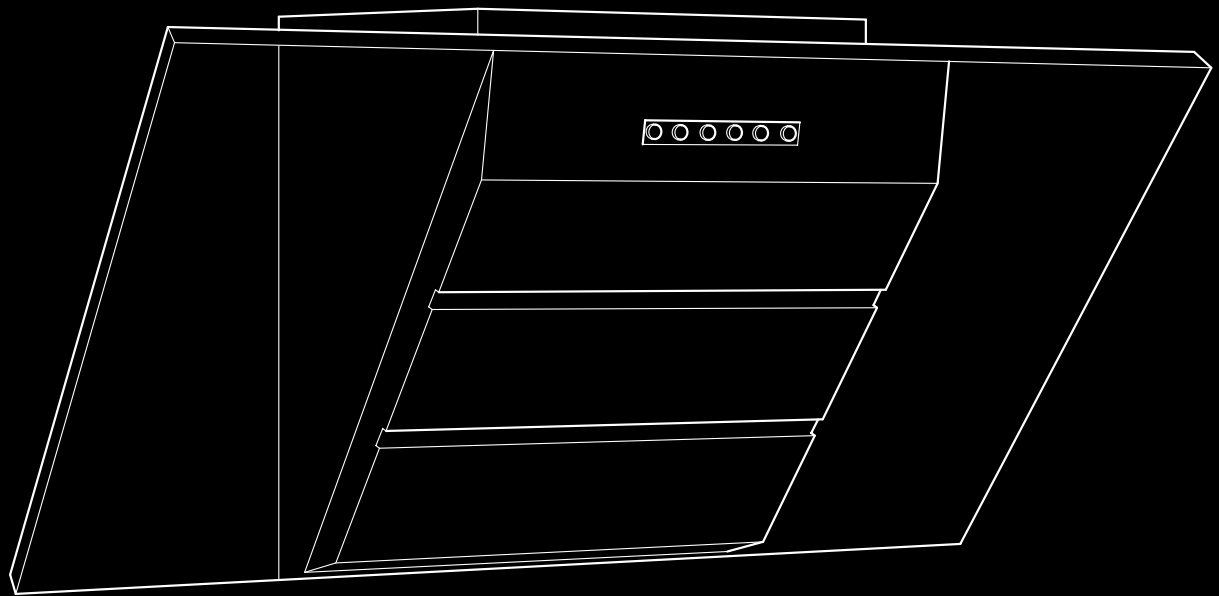


# JLBIHD622 60cm Cooker Hood



User guide

John Lewis



# Contents

<b>Contents</b>	<b>3</b>
<b>Introduction</b>	<b>4</b>
Safety is important	4
In the box	4
<b>Safety information</b>	<b>5</b>
Important safety information	5
<i>Warnings</i>	5
<i>Cautions</i>	6
Electrical information	6
<i>Mains supply</i>	6
<b>Operation</b>	<b>7</b>
Controls	7
Indicators	7
<b>Care, Cleaning and Servicing</b>	<b>8</b>
Care and Cleaning	8
Cleaning and Replacing Filters	8
<i>Aluminium Filters</i>	8
<i>Charcoal Filters (Not Supplied)</i>	8
Replacing Lights	9
Servicing	9
<b>Installation</b>	<b>10</b>
Preparation for installation	10
Installing the Cooker Hood	10
<i>If Your Extractor Hood Does Not Have Decorative Ducts</i>	11
<i>If Your Extractor Hood Has Decorative Ducts</i>	13
<i>If You Have Circular Active Carbon Filters</i>	14
<i>If You Have a Bracket to Hold Active Carbon Filters</i>	15
<b>Disposal and Guarantee</b>	<b>16</b>
Disposal	16
Guarantee	16
<b>Troubleshooting</b>	<b>17</b>
<i>Troubleshooting</i>	17
<b>Repairs - after sales service</b>	<b>18</b>
Spare parts	18
Specifications	19

# Introduction

Thank you for purchasing this JLBHHD622 cooker hood.

Please take time to read these instructions and retain for future reference.

## Safety is important

---

To ensure your safety and the safety of others, please read the Safety information **before** you operate this product.

Keep this information in a safe place for future reference.

## In the box

---

You will find the following:

- Cooker hood
- User guide

**Note:** If any of the items listed are damaged or missing, please contact your local John Lewis branch.

# Safety information

## Important safety instructions - read carefully before use

Take note of the following safety information:



**Warning! To prevent fire or shock hazard, do not expose this cooker hood to rain or moisture.**



**Warning! Always remove the mains plug from the wall socket when not in use or before any service operation.**



**Warning! There are no user serviceable parts on this cooker hood. Refer servicing to qualified service personnel.**



This symbol indicates that there are important operating and maintenance instructions in the literature accompanying this cooker hood.



This symbol indicates that dangerous voltages constituting a risk of electric shock are present within this cooker hood.

## Important safety information

It is most important that this guide should be retained with the cooker hood for future reference. Should you move house and leave the appliance, always ensure that this guide is supplied with the cooker hood in order that the new owner can get to know the functionality and the relevant warnings.

These warnings have been provided in the interest of safety. You MUST read them carefully before installation or use. If you are unsure of the meanings of these warnings contact the John Lewis branch from which you purchased the cooker hood.

To avoid accidents to property or people it is important to follow the instructions given. Failure to do so removes any liability from John Lewis.

## Warnings

- Any installation work must be undertaken by a qualified electrician or competent person.
- This is a class II electrical appliance and therefore no earthing cable is required.
- If the cooker hood is installed for use above a gas appliance, the provision for ventilation must be in accordance with the Gas Safety Codes of Practice, the Gas Safety (Installation & Use) Regulations, the Building Regulations issued by the Department of the Environment and, where applicable, the Building Standards (Scotland) (Consolidated) Regulations issued by the Scottish Development Department.
- Do not install this cooker hood above a cooker with a high-level grill.
- Keep all packaging well away from children. There is risk of suffocation.
- If the room where the cooker hood is to be used contains a fuel burning appliance (such as a gas or oil fired central heating boiler), the boiler's flue must be a room sealed or balanced flue type. Alternatively, you should make sure that there is adequate air inlet into the room at all times so that fumes from the boiler are not drawn back into the room by the cooker hood.
- The ducting system for this cooker hood must not be connected to an existing ventilation system which is being used for any other purpose.
- Do not allow the power cord to be crushed or bent excessively.
- Do not let the power cord touch or pass over the hob or other hot surface.
- Do not hold the power cord or plug with wet hands.
- Never use a damaged power cord or plug, or a loose mains socket.

## Cautions

- This cooker hood is designed for domestic use only.
- This cooker hood is designed to be operated by adults. Children should not be allowed to tamper with the controls or play with the cooker hood.
- Do not leave frying pans unattended during use, as overheated fats and oils may catch fire.
- Do not do flambé cooking under this cooker hood.
- Do not leave naked flames under the cooker hood.
- Make sure foreign objects do not get into the cooker hood or obstruct the motor.
- Do not use the cooker hood without filters fitted.
- Clean or replace the filters regularly to avoid oil build up.
- Do not replace the filters while the cooker hood is operating.
- Replacement filters should be bought from authorised dealers.
- The light and cover may be hot in use.
- Do not use abrasive cleaning materials or scouring pads when cleaning the cooker hood.

## Electrical information

---

### Mains supply

Should the power supply cable need to be replaced, this must be carried out by an approved service engineer. John Lewis declines any liability should this safety measure not be observed.

Before switching on, make sure the electricity supply voltage is the same as that indicated on the cooker hood's rating plate.

The cooker hood must be installed by a qualified electrician or competent person.



**Warning! The appliance should not be connected to the electrical supply by means of an extension cable.**

---

# Operation

## Controls



The controls are (left to right):

- ?** **Light.** Press this button to operate the halogen lamps in the cooker hood.
- 0** **Power.** Press the button to switch the cooker hood on or off.
- 1** **Fan speed Setting 1.** Press to select fan speed 1.
- 2** **Fan speed Setting 2.** Press to select fan speed 2.
- 3** **Fan speed Setting 3.** Press to select fan speed 3. Alternatively, when the cooker hood is switched on press and hold the button for 2 seconds to activate intensive speed. The intensive speed setting will operate for 10 minutes or until you press this button again.
- T** **Timer.** Press this button to set a 15 minute timer. The cooker hood will operate at the currently selected speed (speed setting 1-3 only, not intensive speed) for 15 minutes and then switch off. This is useful for clearing cooking fumes and odour.

**Note:** For regular cooking, we recommend using fan setting 1 or 2. If you are frying or cooking other dishes which generate a large amount of smoke or steam, we recommend using fan setting 3 or intensive speed.

**Clean Air Function.** When the cooker hood is switched off press and hold the fan speed button for 5 seconds to activate the clean air function. The cooker hood will operate automatically at speed 1 for 10 minutes every hour. The timer indicator will flash when the fan is on and be lit when the fan is off.

## Indicators

The indicators are lit when the associated button is pressed. In addition, they can indicate the following:

- ?** **Filters.** If this indicator is:
  - Flashing once every two seconds. The anti-grease filters must be washed.
  - Flashing once every half a second. The active carbon filters must be replaced.To reset the filters indicator, when the cooker hood is switched off press and hold the **?** button for 5 seconds. The filters indicator will go out.

**Note:** See page 8 for more information on cleaning filters.

- T** **Clean Air.** See Clean Air Function for details.

# Care, Cleaning and Servicing

**Note:** Switch off and unplug the cooker hood before carrying out any cleaning or maintenance work.

## Care and Cleaning

Clean the interior and exterior casing using a cloth with water and mild (neutral) detergent.

Do not use abrasive cleaning materials or scouring pads when cleaning the cooker hood as this may damage the stainless steel finish.

## Cleaning and Replacing Filters

This cooker hood is supplied with aluminium filters.

### Aluminium Filters

Aluminium filters are designed to absorb grease and dust during cooking. They should be removed and cleaned at least once every two months, or more often if you regularly fry food.

To clean the aluminium filters:

- 1 Open the panel (A).
- 2 Pull the filter out of the cooker hood (B).
- 3 Wash the filter in warm, soapy water or in a dishwasher and dry it.
- 4 Replace the filter in the cooker hood and press into position.
- 5 Close the panel.

The filters may discolour after a few washes. This is normal and does not mean they have to be replaced.

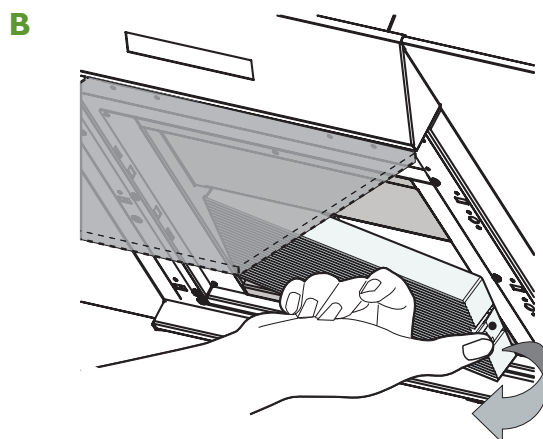
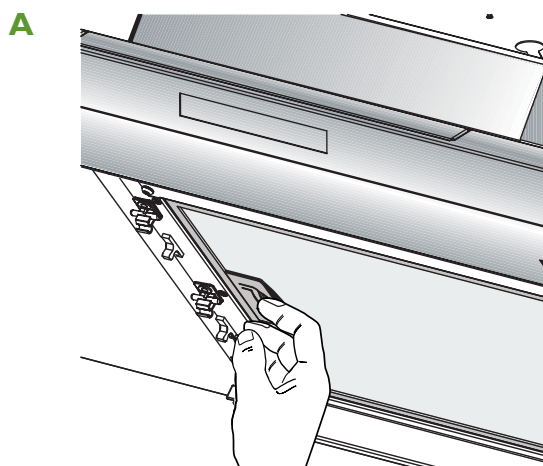
### Charcoal Filters (Not Supplied)

Charcoal filters are designed to absorb grease, dust and unwanted odours during cooking. They cannot be washed or re-used and they must be replaced at least every four months.

To replace the charcoal filters:

- 1 Open the panel (A).
- 2 Pull the filter out of the cooker hood (B).
- 3 Insert the replacement filter in the cooker hood and press into position.
- 4 Close the panel.

Replacement filters should be bought from authorised dealers.





## Replacing Lights

---

Your cooker hood is fitted with LEDs. They should only be replaced by an authorised service engineer.

## Servicing

---

This cooker hood should only be serviced by an authorised service engineer, and only genuine spare parts should be used.

Under no circumstances should you attempt to repair the cooker hood yourself. Repairs carried out by inexperienced persons may cause injury or serious malfunction.

# Installation

## Preparation for installation

The cooker hood must be mounted so that the minimum distance between the filters and the gas or electric hob is 45cm.

The ducting system for this cooker hood must not be connected to an existing ventilation system which is being used for any other purpose.

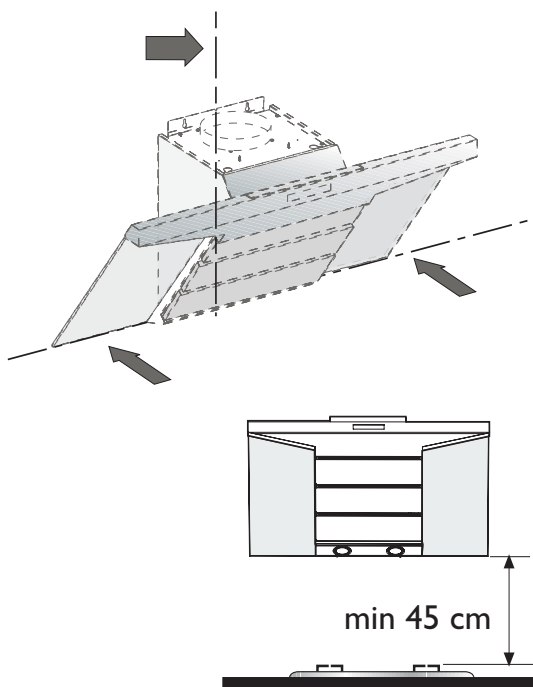
We recommend an air exhaust tube which is the same diameter as the air exhaust outlet hole. If a two-part air exhaust tube is used, the upper part must be placed outside the lower part.

If installing this cooker hood between adjoining wall cabinets, the wall cabinets must not overhang the hob.

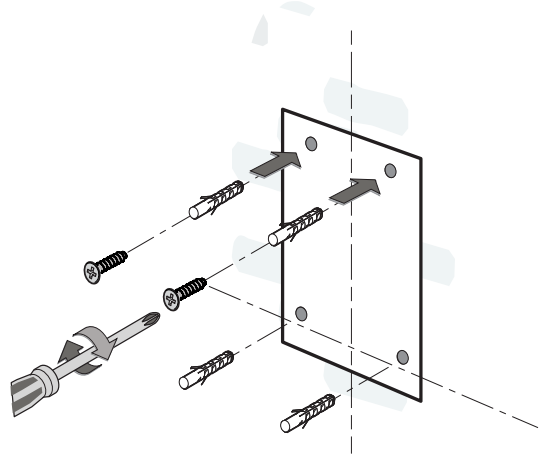
Before beginning installation, remove the filters (see page 8). This will make the unit easier to handle during installation.

## Installing the Cooker Hood

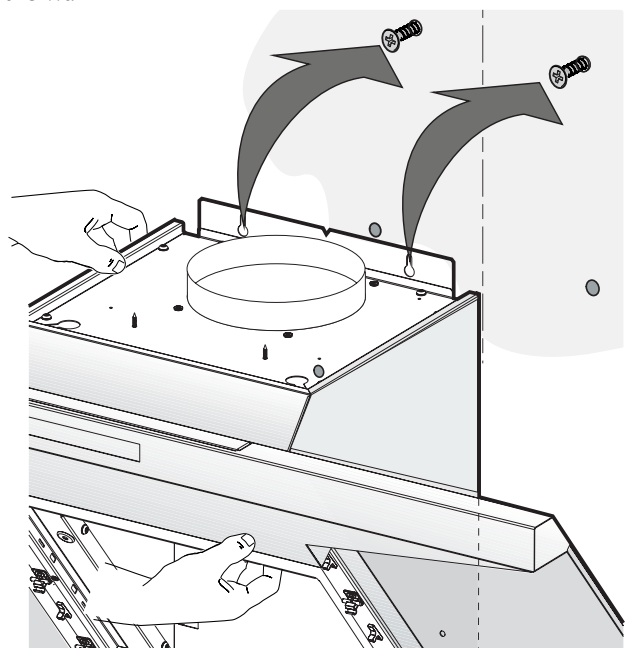
- 1 Mark the lower position of the cooker hood on the wall, making sure it is not below the minimum distance from the hob.



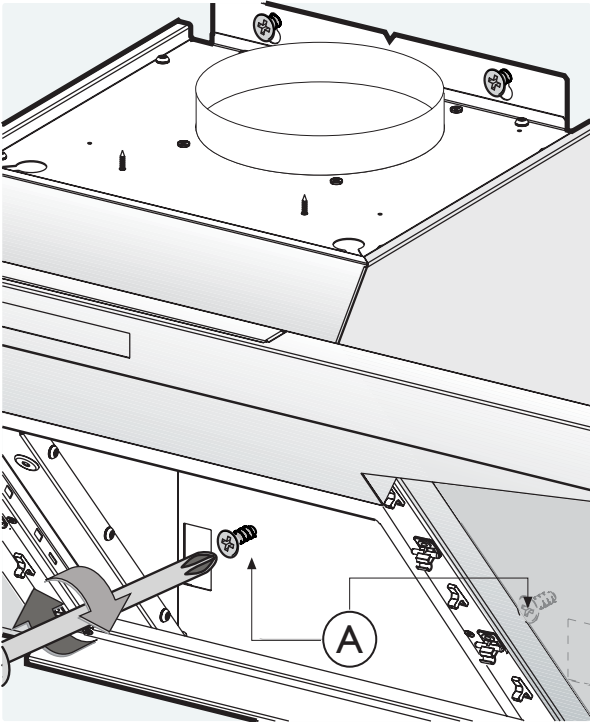
- 2 Place the fixing template against the wall, lining the bottom holes up with the line drawn in step 1.



- 3 Drill four holes and place rawlplugs in each.
- 4 Insert the top two screws and tighten, leaving at least 3mm protruding from the wall.
- 5 Lift the cooker hood up to the wall, hooking it on to the two screws.
- 6 Tighten the screws to hold the cooker hood firmly against the wall.



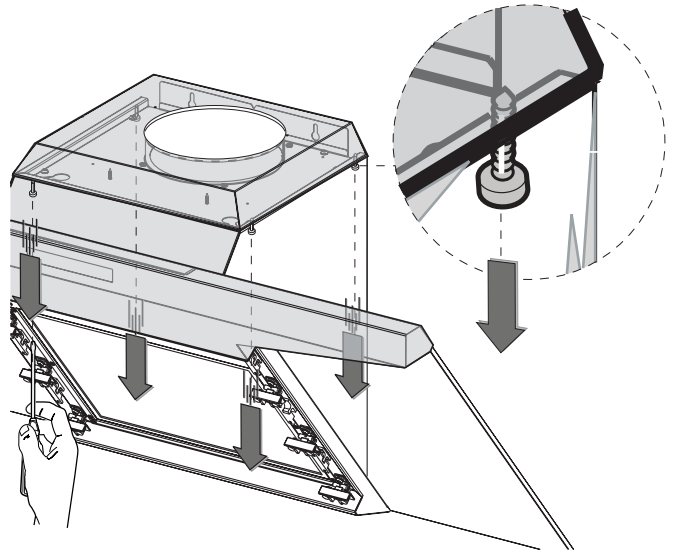
7 Insert the bottom two screws (A) and tighten.



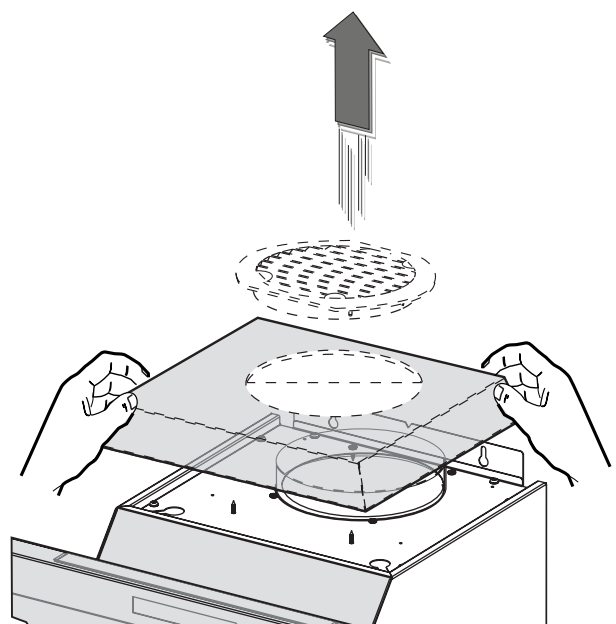
**Note:** The next steps depend on whether your extractor hood has decorative ducts or not. Select the appropriate section and continue with the installation.

## If Your Extractor Hood Does Not Have Decorative Ducts

8 Remove the four screws holding the lid of the cooker hood.

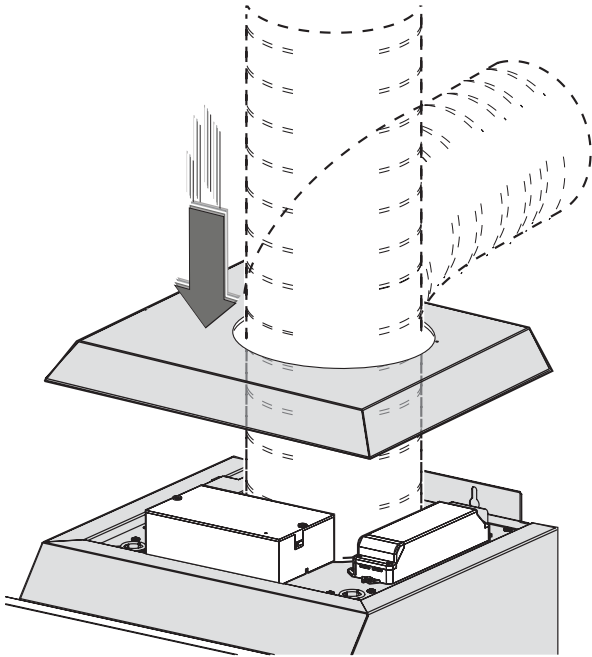


9 Remove the lid and detach the grid from the air outlet hole.



# Installation

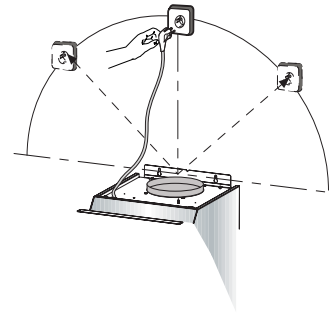
10 Pass a flexible air exhaust tube (not supplied) through the cooker hood lid and connect it to the cooker hood.



13 Insert the filters, as described on page 8.

14 Connect your cooker hood to the electrical supply.

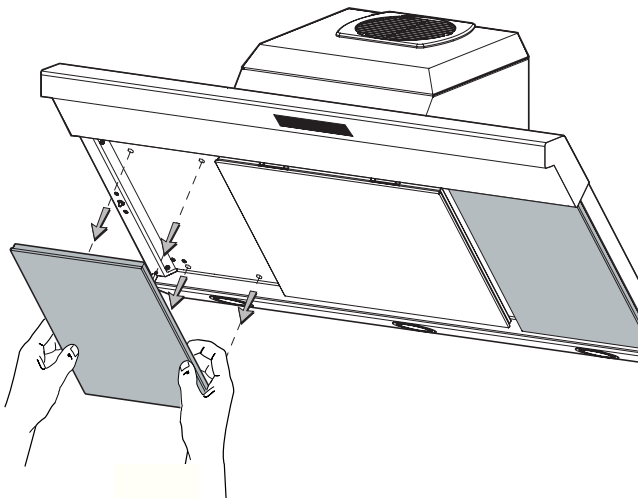
max 90 cm



Your cooker hood is now ready for use.

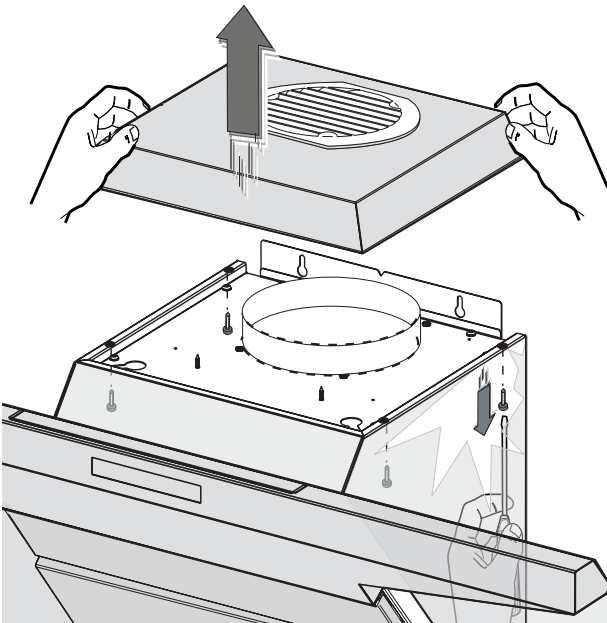
11 Insert the four screws removed in step 8 and tighten to hold the cooker hood lid firmly to the cooker hood.

12 Fit the side panels.

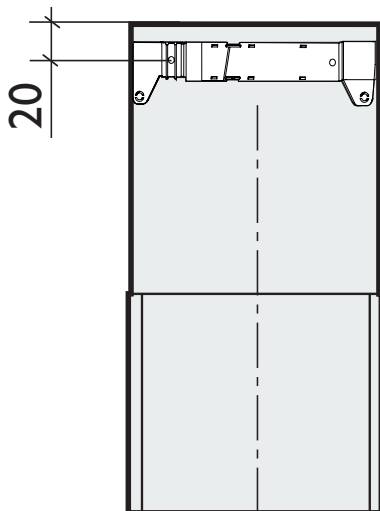


## If Your Extractor Hood Has Decorative Ducts

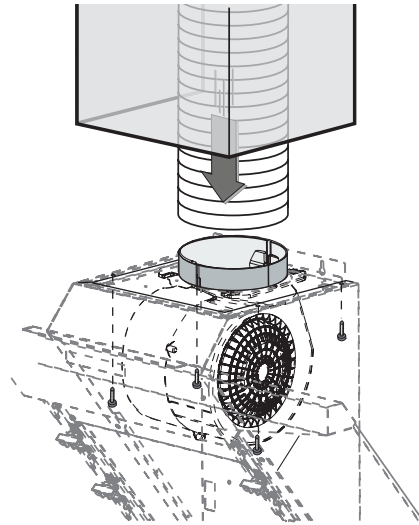
- 8 Make sure that the electrical power supply is within the measurements for the decorative connector.
- 9 Remove the four screws holding the lid of the cooker hood and lift the hood off.



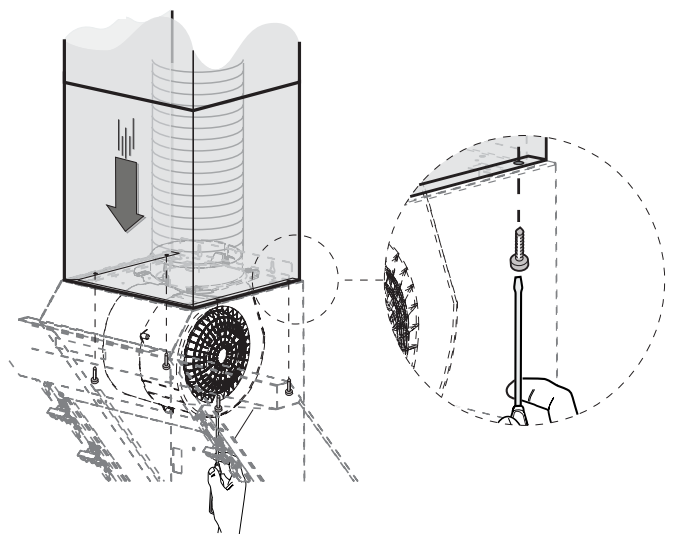
- 10 Mark the position of the support bracket on the wall.
- 11 Drill holes for the support bracket.



- 12 Adjust the width of the support bracket, then screw it to the wall.
- 13 Connect the air exhaust tube to the cooker hood.



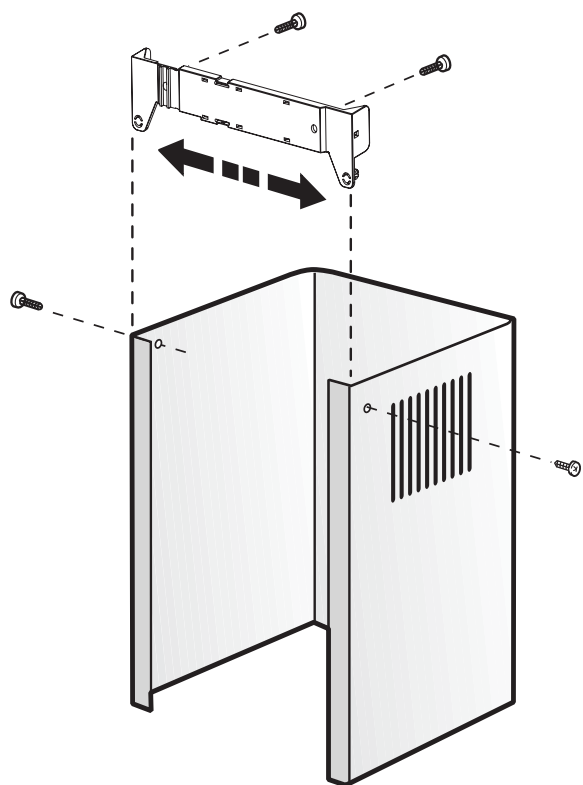
- 14 Slide the top duct into the bottom duct.
- 15 Insert screws and tighten to fasten the bottom duct to the cooker hood.



# Installation

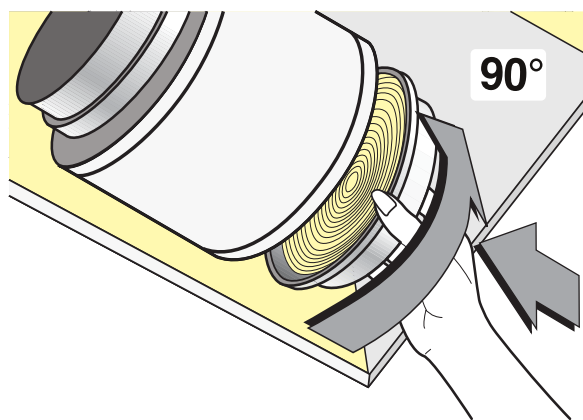
16 Pull the top duct up to the support bracket.

17 Insert screws and tighten to fasten the top duct to the support bracket.



## If You Have Circular Active Carbon Filters

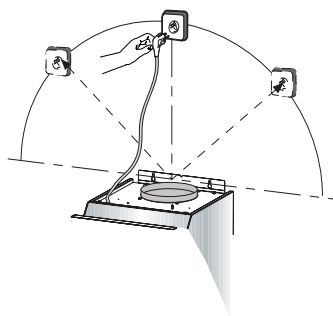
If you have circular active carbon filters, they are fitted in the extraction assembly inside the cooker hood. They are fitted by centring them and then rotating them 90° clockwise until they click into position.



18 Insert the filters, as described on page 8.

19 Connect your cooker hood to the electrical supply.

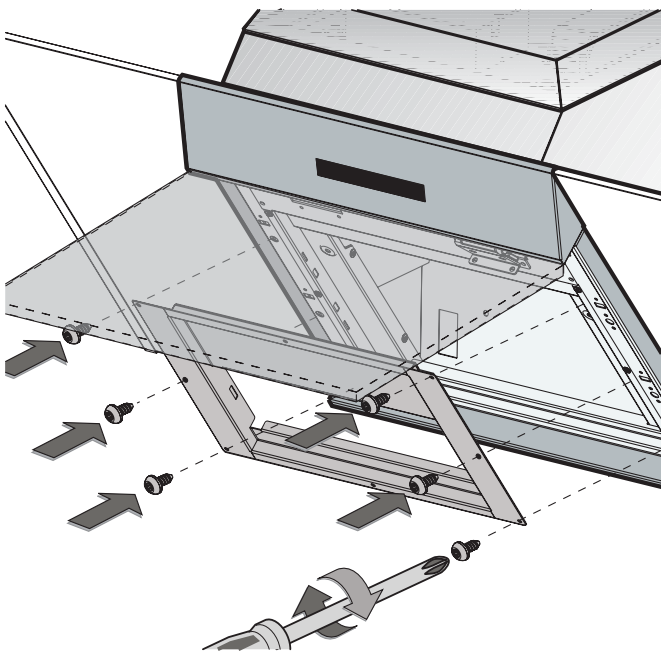
max 90 cm



Your cooker hood is now ready for use.

## If You Have a Bracket to Hold Active Carbon Filters


If you have active carbon filters to be fitted in the front of the cooker hood, you will also have a bracket and screws to hold the filters in position. If so, screw the bracket into position before inserting your active carbon filters.



# Disposal and Guarantee

## Disposal

---

This symbol  on the product or on its packaging indicates that this product may not be treated as household waste. Instead it shall be handed over to the applicable collection point for the recycling of electrical and electronic equipment. By ensuring this product is disposed of correctly, you will help prevent potential negative consequences for the environment and human health, which could otherwise be caused by inappropriate waste handling of this product. For more detailed information about recycling of this product, please contact your local council office, your household waste disposal service or the John Lewis branch where you purchased the product.

## Guarantee

---

Your John Lewis JLBHD622 cooker hood is covered by a three year parts and labour guarantee. This means that if the cooker hood develops a fault during the guarantee period we arrange a repair free of charge. Your original receipt acts as your guarantee so please make sure that you retain it throughout the guarantee period.

Please note that this guarantee does not cover you against faults caused by accidental damage or misuse.



# Troubleshooting

To assist in locating possible faults use the help guide below:

Troubleshooting		
Problem	Cause	Correction
<b>Cooker hood not operating effectively</b>		
The cooker hood is not working effectively.	The fan speed is too low.	Select a higher fan speed.
	The filter needs cleaning or replacing.	Clean or replace the filter.
	The air discharge outlet may be blocked.	Check the air discharge outlet and clear any blockages.
Oil or fat collects on the filter.	The filter needs cleaning or replacing.	Clean or replace the filter.
<b>Cooker hood will not operate</b>		
The cooker hood has switched off unexpectedly during operation.	The cooker hood has overheated.	Switch off the cooker hood and wait until it has cooled down.
	The cooker hood is too close to the hob.	Re-site the cooker hood at the correct height.
	No electric current is reaching the cooker hood.	Check that the power is still on. Replace the fuse. If you are unsure how to replace a fuse consult a qualified electrician.
The cooker hood will not start.	The cooker hood is not plugged in or the power is off.	Check that the plug is firmly pushed in and the power is on.
	No electric current is reaching the cooker hood.	Check that the power is still on. Replace the fuse. If you are unsure how to replace a fuse consult a qualified electrician.

If none of the above suggestions resolve the problem please contact your local John Lewis branch. Never attempt to repair the cooker hood yourself.

**Note:** The cooker hood must only be repaired by a qualified registered service person.

# Repairs - after sales service

Your cooker hood comes with a free three year warranty. If it is not working correctly, consult the troubleshooting section within this User Guide.

If a fault occurs which you cannot resolve through following the advice and information contained within this User Guide, the next step is to contact our warranty administrators on 0844 871 7771. They will give you details for your local service engineer.

When you contact your local service engineer you will need to give the following details:

- Your name, address and post code
- Your telephone number
- Clear and concise details of fault
- The purchase date as found on your receipt
- The model and serial number of the cooker hood. So that you always have these numbers at hand, we recommend you make a note of them here:

Mod : .....

S.N : .....

**Note:** If you call out an engineer to a fault or to repair a fault caused by incorrect use or installation, a charge will be made even if the cooker hood is under guarantee.

## Spare parts



**Caution: Always insist on genuine spare parts.**

An authorised service engineer should service this cooker hood, and only genuine spare parts should be used.

Under no circumstances should you attempt to repair the cooker hood yourself. Repairs carried out by inexperienced persons may cause injury or serious malfunctioning.

Contact your local John Lewis branch.

## Specifications

---

Specifications of the cooker hood that you have just purchased may vary from the information in this table due to technical innovations.

---

<b>Type</b>	Cooker Hood
<b>Dimensions</b>	600 mm wide x 345 mm high
<b>Drive Mode</b>	HC3
<b>Extraction Rate (per hour)</b>	750 m3
<b>Number of Speeds</b>	3 + intensive
<b>Noise Level</b>	66db
<b>Wattage</b>	250w
<b>Washable Metal Filters</b>	Yes

---

