

JLBIHD623 60cm Cooker Hood



User guide

John Lewis

Contents

Contents	3
Introduction	4
Safety is important	4
In the box	4
Safety information	5
Important safety information	5
<i>Warnings</i>	5
<i>Cautions</i>	6
Electrical information	6
<i>Mains supply</i>	6
Operation	7
Controls	7
Indicators	7
Care, Cleaning and Servicing	8
Care and Cleaning	8
Cleaning and Replacing Filters	8
<i>Aluminium Filters</i>	8
<i>Charcoal Filters (Not Supplied)</i>	8
Replacing Lights	9
Servicing	9
Installation	10
Preparation for installation	10
Installing the Cooker Hood	10
Disposal and Guarantee	12
Disposal	12
Guarantee	12
Troubleshooting	13
<i>Troubleshooting</i>	13
Repairs - after sales service	14
Spare parts	14
Specifications	15

Introduction

Thank you for purchasing this JLBHHD623 cooker hood.

Please take time to read these instructions and retain for future reference.

Safety is important

To ensure your safety and the safety of others, please read the Safety information **before** you operate this product.

Keep this information in a safe place for future reference.

In the box

You will find the following:

- Cooker hood
- Telescopic chimney
- User guide

Note: If any of the items listed are damaged or missing, please contact your local John Lewis branch.

Safety information

Important safety instructions - read carefully before use

Take note of the following safety information:



Warning! To prevent fire or shock hazard, do not expose this cooker hood to rain or moisture.



Warning! Always remove the mains plug from the wall socket when not in use or before any service operation.



Warning! There are no user serviceable parts on this cooker hood. Refer servicing to qualified service personnel.



This symbol indicates that there are important operating and maintenance instructions in the literature accompanying this cooker hood.



This symbol indicates that dangerous voltages constituting a risk of electric shock are present within this cooker hood.

Important safety information

It is most important that this guide should be retained with the cooker hood for future reference. Should you move house and leave the appliance, always ensure that this guide is supplied with the cooker hood in order that the new owner can get to know the functionality and the relevant warnings.

These warnings have been provided in the interest of safety. You **MUST** read them carefully before installation or use. If you are unsure of the meanings of these warnings contact the John Lewis branch from which you purchased the cooker hood.

To avoid accidents to property or people it is important to follow the instructions given. Failure to do so removes any liability from John Lewis.

Warnings

- Any installation work must be undertaken by a qualified electrician or competent person.
- This is a class I electrical appliance and must therefore be correctly earthed.
- If the cooker hood is installed for use above a gas appliance, the provision for ventilation must be in accordance with the Gas Safety Codes of Practice, the Gas Safety (Installation & Use) Regulations, the Building Regulations issued by the Department of the Environment and, where applicable, the Building Standards (Scotland) (Consolidated) Regulations issued by the Scottish Development Department.
- Do not install this cooker hood above a cooker with a high-level grill.
- Keep all packaging well away from children. There is risk of suffocation.
- If the room where the cooker hood is to be used contains a fuel burning appliance (such as a gas or oil fired central heating boiler), the boiler's flue must be a room sealed or balanced flue type. Alternatively, you should make sure that there is adequate air inlet into the room at all times so that fumes from the boiler are not drawn back into the room by the cooker hood.
- Do not allow the power cord to be crushed or bent excessively.
- Do not let the power cord touch or pass over the hob or other hot surface.
- Do not hold the power cord or plug with wet hands.
- Never use a damaged power cord or plug, or a loose mains socket.

Cautions

- This cooker hood is designed for domestic use only.
- This cooker hood is designed to be operated by adults. Children should not be allowed to tamper with the controls or play with the cooker hood.
- Do not leave frying pans unattended during use, as overheated fats and oils may catch fire.
- Do not do flambé cooking under this cooker hood.
- Do not leave naked flames under the cooker hood.
- Make sure foreign objects do not get into the cooker hood or obstruct the motor.
- Do not use the cooker hood without filters fitted.
- Clean or replace the filters regularly to avoid oil build up.
- Do not replace the filters while the cooker hood is operating.
- Replacement filters should be bought from authorised dealers.
- The light and cover may be hot in use.
- Do not use abrasive cleaning materials or scouring pads when cleaning the cooker hood.

Electrical information

Mains supply



Warning! This cooker hood MUST BE EARTHED.

Should the power supply cable need to be replaced, this must be carried out by an approved service engineer. John Lewis declines any liability should this safety measure not be observed.

Before switching on, make sure the electricity supply voltage is the same as that indicated on the cooker hood's rating plate.

The cooker hood must be installed by a qualified electrician or competent person.









Warning! The appliance should not be connected to the electrical supply by means of an extension cable.

Operation

Controls



The controls are (Left to right):

-  - **Motor working indicator.**
-  - **Off.** Switch the cooker hood off.
-  - **Fan speed 1.**
-  - **Fan speed 2.**
-  - **Fan speed 3.**
-  - **Light.** Press this button to operate the LED lights in the cooker hood.

Note: For regular cooking, we recommend using fan setting 1 or 2. If you are frying or cooking other dishes which generate a large amount of smoke or steam, we recommend using fan setting 3.

Care, Cleaning and Servicing

Note: Switch off and unplug the cooker hood before carrying out any cleaning or maintenance work.

Care and Cleaning

Clean the interior and exterior casing using a cloth with water and mild (neutral) detergent.

Do not use abrasive cleaning materials or scouring pads when cleaning the cooker hood as this may damage the stainless steel finish.

Cleaning and Replacing Filters

This cooker hood is supplied with aluminium filters.

Aluminium Filters

Aluminium filters are designed to absorb grease and dust during cooking. They should be removed and cleaned at least once every two months, or more often if you regularly fry food.

The filters may discolour after a few washes. This is normal and does not mean they have to be replaced.

To clean the aluminium filters:

- 1 Open the panel (A).
- 2 Pull the filter out of the cooker hood (B).
- 3 Remove the filter from the holder (C).
- 4 Wash the filter in warm, soapy water or in a dishwasher and dry it.
- 5 Replace the filter in the holder and replace it in the cooker hood by pressing it into position.
- 6 Close the panel.

Charcoal Filters (Not Supplied)

Charcoal filters are designed to absorb grease, dust and unwanted odours during cooking.

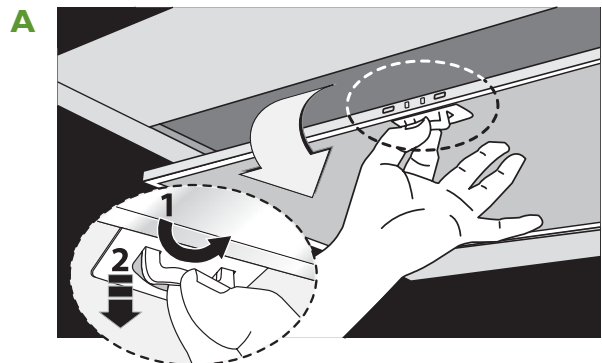
Non-regenerable charcoal filters must be replaced at least every four months.

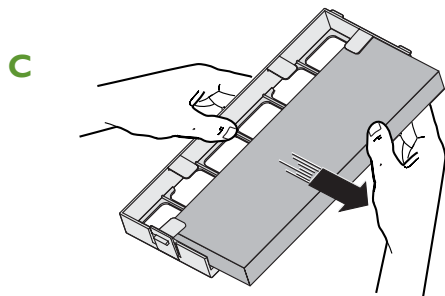
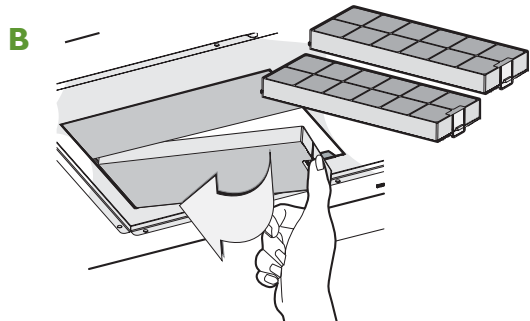
Unlike traditional charcoal filters, regenerable charcoal filters can be washed and re-used approximately 12-15 times before they have to be replaced. They should be washed at least once every 2-3 months.

To clean the charcoal filters:

- 1 Open the panel (A).
- 2 Pull the filter out of the cooker hood (B).
- 3 Remove the filter from the holder (C).
- 4 Either replace the filter (if non-regenerable), or (if regenerable) wash the filter in warm, soapy water or in a dishwasher at the highest dishwasher temperature.
- 5 Dry the filter in the oven at 100°C for 10-15 minutes to re-activate it.
- 6 Insert the reactivated filter in the cooker hood and press into position.
- 7 Replace the brackets in the housing.
- 8 Close the panel.

Replacement filters should be bought from authorised dealers.





Replacing Lights

Your cooker hood is fitted with LEDs. They should only be replaced by an authorised service engineer.

Servicing

This cooker hood should only be serviced by an authorised service engineer, and only genuine spare parts should be used.

Under no circumstances should you attempt to repair the cooker hood yourself. Repairs carried out by inexperienced persons may cause injury or serious malfunction.

Installation

Preparation for installation

The cooker hood must be mounted so that the minimum distance between the filters and the gas or electric hob is 65cm.

The ducting system for this cooker hood must not be connected to an existing ventilation system which is being used for any other purpose.

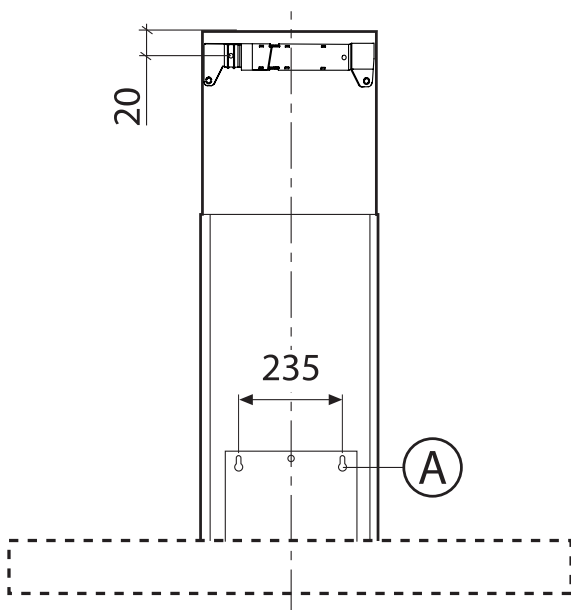
We recommend an air exhaust tube which is the same diameter as the air exhaust outlet hole. If a two-part air exhaust tube is used, the upper part must be placed outside the lower part.

If installing this cooker hood between adjoining wall cabinets, the wall cabinets must not overhang the hob.

Before beginning installation, remove the filters (see page 8). This will make the unit easier to handle during installation.

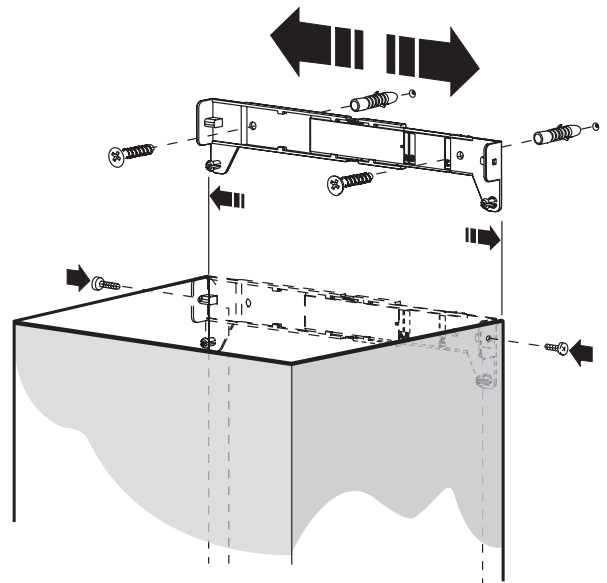
Installing the Cooker Hood

- 1 Drill holes (A) 235mm apart to allow you to fix the cooker hood to the wall.

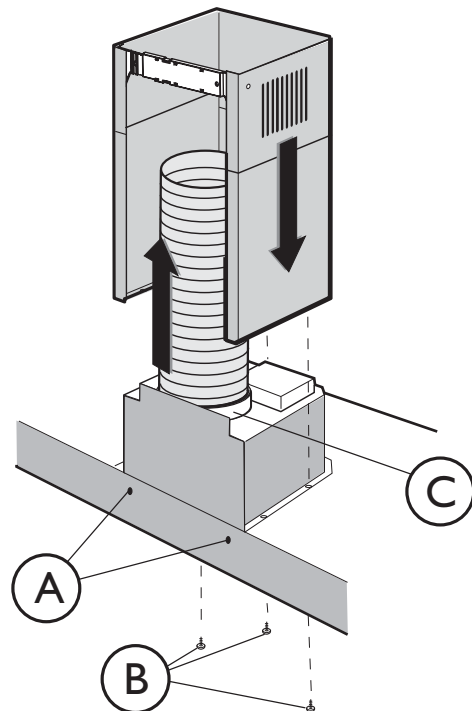


- 2 Fix the cooker hood to the wall and align it horizontally.

- 3 Adjust the width of the support bracket for the upper flue and insert screws to attach it to the wall.

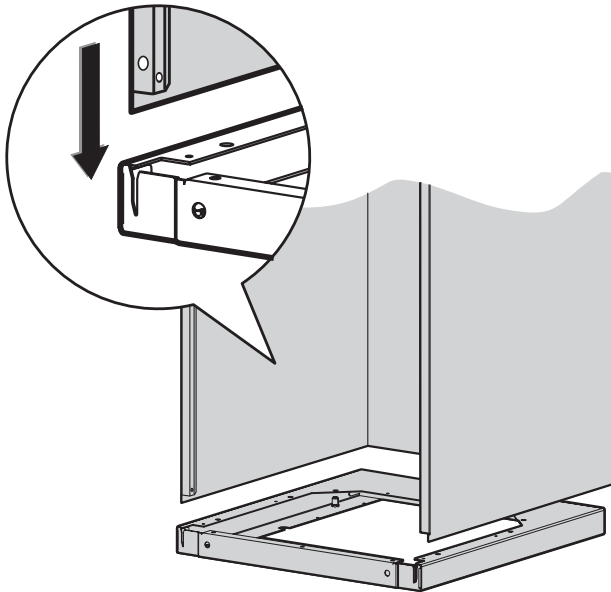


- 4 Connect the flange (C) to the air exhaust hole.



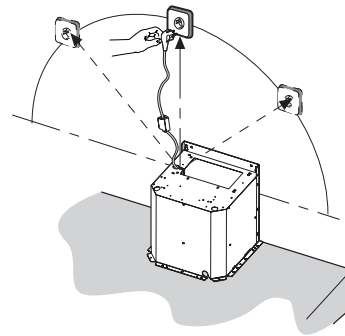
- 5 Insert the upper flue into the lower flue.
- 6 Insert screws (B) to attach upper flue to lower flue.

If your flue connects as shown below;



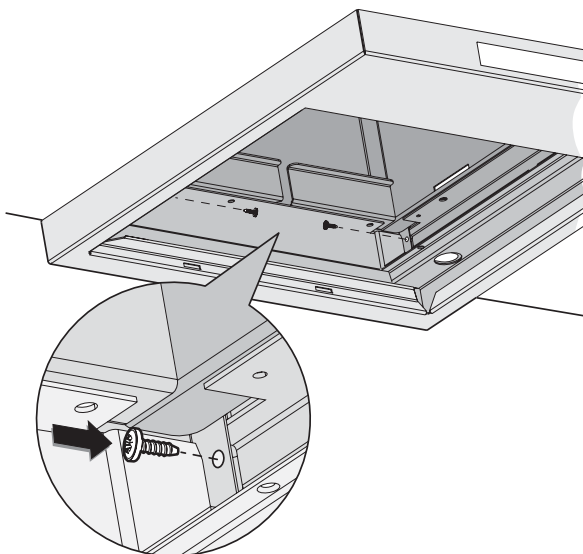
- 7 Insert the filters, as described on page 8.
- 8 Connect your cooker hood to the electrical supply.

max 90 cm




Your cooker hood is now ready for use.

Attach the screws inside the flue as shown below:



Disposal and Guarantee

Disposal

This symbol  on the product or on its packaging indicates that this product may not be treated as household waste. Instead it shall be handed over to the applicable collection point for the recycling of electrical and electronic equipment. By ensuring this product is disposed of correctly, you will help prevent potential negative consequences for the environment and human health, which could otherwise be caused by inappropriate waste handling of this product. For more detailed information about recycling of this product, please contact your local council office, your household waste disposal service or the John Lewis branch where you purchased the product.

Guarantee

Your John Lewis JLBHD623 cooker hood is covered by a three year parts and labour guarantee. This means that if the cooker hood develops a fault during the guarantee period we arrange a repair free of charge. Your original receipt acts as your guarantee so please make sure that you retain it throughout the guarantee period.

Please note that this guarantee does not cover you against faults caused by accidental damage or misuse.

Troubleshooting

To assist in locating possible faults use the help guide below:

Troubleshooting		
Problem	Cause	Correction
Cooker hood not operating effectively		
The cooker hood is not working effectively.	The fan speed is too low.	Select a higher fan speed.
	The filter needs cleaning or replacing.	Clean or replace the filter.
	The air discharge outlet may be blocked.	Check the air discharge outlet and clear any blockages.
Oil or fat collects on the filter.	The filter needs cleaning or replacing.	Clean or replace the filter.
Cooker hood will not operate		
The cooker hood has switched off unexpectedly during operation.	The cooker hood has overheated.	Switch off the cooker hood and wait until it has cooled down.
	The cooker hood is too close to the hob.	Re-site the cooker hood at the correct height.
	No electric current is reaching the cooker hood.	Check that the power is still on. Replace the fuse. If you are unsure how to replace a fuse consult a qualified electrician.
The cooker hood will not start.	The cooker hood is not plugged in or the power is off.	Check that the plug is firmly pushed in and the power is on.
	No electric current is reaching the cooker hood.	Check that the power is still on. Replace the fuse. If you are unsure how to replace a fuse consult a qualified electrician.

If none of the above suggestions resolve the problem please contact your local John Lewis branch. Never attempt to repair the cooker hood yourself.

Note: The cooker hood must only be repaired by a qualified registered service person.

Repairs - after sales service

Your cooker hood comes with a free three year warranty. If it is not working correctly, consult the troubleshooting section within this User Guide.

If a fault occurs which you cannot resolve through following the advice and information contained within this User Guide, the next step is to contact our warranty administrators on 0844 871 7771. They will give you details for your local service engineer.

When you contact your local service engineer you will need to give the following details:

- Your name, address and post code
- Your telephone number
- Clear and concise details of fault
- The purchase date as found on your receipt
- The model and serial number of the cooker hood. So that you always have these numbers at hand, we recommend you make a note of them here:

Mod :

S.N :

Note: If you call out an engineer to a fault or to repair a fault caused by incorrect use or installation, a charge will be made even if the cooker hood is under guarantee.

Spare parts



Caution: Always insist on genuine spare parts.

An authorised service engineer should service this cooker hood, and only genuine spare parts should be used.

Under no circumstances should you attempt to repair the cooker hood yourself. Repairs carried out by inexperienced persons may cause injury or serious malfunctioning.

Contact your local John Lewis branch.

Specifications

Specifications of the cooker hood that you have just purchased may vary from the information in this table due to technical innovations.

Type	Cooker Hood
Dimensions	600 mm wide x 490 mm high
Drive Mode	HC2
Extraction Rate (per hour)	600 m3
Number of Speeds	3
Noise Level	59db
Wattage	230w
Washable Metal Filters	Yes
