

Cooking and integrated appliances



John Lewis Partnership
171 Victoria Street
London SW1E 5NN
www.johnlewis.com
Registered in England

07.13

John Lewis
in store | online | mobile

Branch use only

Contents

Cooking	3
Refrigeration	33
Washing	41

John Lewis cooking and integrated refrigeration and washing appliances are designed to fit perfectly into your kitchen, combining impeccable design with the latest technology and features.

Each provides great value, with the level of quality, performance and reliability you'd expect from us. We've made improvements, too. All our ovens are now A-rated, so use even less energy, cost less to run and are more environmentally friendly. We're also pleased to offer larger single oven sizes, as well as soft-close doors. What's more, all our appliances are covered by a three-year guarantee (microwaves by a two-year guarantee), at no extra cost.

We offer a range of useful extra product services when you buy your new appliance too, including installation, door adjustments, disposal and recycling. And for that dream kitchen, why not use our fitted kitchen service? For more details, see page 59 at the back of this brochure, or go online at johnlewis.com.

And, of course, whether you're shopping for your appliance online or in store, you can count on our fair prices, quality products and unrivalled service. It's all part of being Never Knowingly Undersold, our lifelong commitment to you.



Cooking

Our ovens and hobs combine great design with the latest technology and quality, for easier and more reliable cooking at home.

There are several new improvements we're excited about, too, including increased capacity in our single ovens, and soft-close doors on a selection of models. You'll also find a multi-function oven offering steam cooking (ideal for succulent meat joints and breads), as well as a wide range of safe and efficient induction hobs, and microwaves too. Stylish cooker hoods complete the look, for a high-end finish, from top to bottom.

John Lewis
electric single oven
JLBIOS 611
Stock number 890 30216

£379

3-year guarantee
Extend to 5 years for £39

This anti-fingerprint stainless-steel oven features an easy-to-clean removable triple glazed door with retractable controls, giving a flush finish.

A-rated for energy efficiency, its 4 functions include defrosting and fan cooking – for speedier results at a lower temperature; and turbo grilling, which gives you the effect of spit roasting.



Dimensions
H59.4 x W59.4 x D56.7cm
Aperture required
H59 x W56 x D55cm
For installation/fitting diagram see page 46

Controls
Push button

Oven lining
Grey enamel

Cooking modes
Fan cooking
Fast grilling
Turbo grilling
Defrost

Additional features
Fully programmable timer
Triple glazed door

Performance
Energy rating A-20%*
Oven capacity 74L
Oven cavity classification Large

*Saving 20% more energy (only 0,79 kWh) versus the given threshold value (<1,0 kWh) of the EU standard (DIN EN 50304/ DIN EN 60350)

Connection information
Required fuse 16 amps
Total electricity loading 3200W

Accessories included
1x dripping pan
1x chrome trivet
2x chromed wire shelves

John Lewis
electric multi-function single oven
JLBIOS 612
Stock number 890 30217

£489

3-year guarantee
Extend to 5 years for £39

This oven's catalytic lining oxidises splashes of grease and fat during roasting, helping to keep the inside of the oven clean, while a soft close door feature enables a smooth, easy action.

Enthusiastic bakers can use the conventional cooking capability for traditional baking, and the keep warm 80°C setting, which maintains food's temperature without drying it out, is perfect for entertaining, or when dinner guests arrive later than expected!



Dimensions
H59.4 x W59.4 x D56.7cm
Aperture required
H59 x W56 x D55cm
For installation/fitting diagram see page 46

Controls
Touch controls

Oven lining
Catalytic

Cooking modes
Bottom heat
Defrost
Grill
Fan cooking
Slow cooking
Fast grilling
Turbo grilling
Roasting
Pizza cooking
Fast heat-up
Frozen foods
Conventional cooking
Keep warm
Automatic programmes

Additional features
Soft close door
Fully programmable timer
Triple glazed door

Performance
Energy rating A-20%*
Oven capacity 74L
Oven cavity classification Large

*Saving 20% more energy (only 0,79 kWh) versus the given threshold value (<1,0 kWh) of the EU standard (DIN EN 50304/ DIN EN 60350)

Connection information
Required fuse 16 amps
Total electricity loading 3500W

Accessories included
1x level variable telescopic runners
1x dripping pan
1x chrome trivet
2x chromed wire shelves

John Lewis
electric pyrolytic
multi-function single oven
JLBIOS 613
Stock number 890 30218

£599

3-year guarantee
Extend to 5 years for £39

This oven's pyrolytic self-cleaning system burns off interior grease to a dust, which can then be easily swept out. The quadruple-glazed door helps keep the outside surface cool, and the soft close door feature enables a smooth, easy action.

In a hurry? You'll appreciate the time-saving turbo grilling and fast heat-up options. And, if you love pizza, a dedicated setting helps achieve the perfect crispiness.



Dimensions
H59.4 x W59.4 x D56.7cm
Aperture required
H59 x W56 x D55cm
For installation/fitting diagram see page 46

Controls
Touch controls

Oven lining
Pyrolytic

Cooking modes

Bottom heat
Defrost
Grill
Fan cooking
Slow cooking
Fast grilling
Turbo grilling
Roasting
Pizza cooking
Fast heat-up
Frozen foods
Conventional cooking
Keep warm
Automatic programmes

Additional features
Soft close door
Fully programmable timer
Quadruple glazed door

Performance
Energy rating A-20%*
Oven capacity 74L
Oven cavity classification Large

* Saving 20% more energy (only 0,79 kWh) versus the given threshold value (<1,0 kWh) of the EU standard (DIN EN 50304/ DIN EN 60350)

Connection information
Required fuse 16 amps
Total electricity loading 3500W

Accessories included
1x level variable telescopic runners
1x dripping pan
1x chrome trivet
2x chromed wire shelves

John Lewis
multi-function oven with steam
JLBIOS 614
Stock number 890 60201

£799

3-year guarantee
Extend to 5 years for £39

Cooking with a combination of steam and conventional oven heat, this oven helps food retain its flavour and nutrients, reducing the need for fat and salt, and also helps achieve golden, crispy results. The detachable meat probe helps achieve perfectly-cooked results, every time.

Fans of baking will love the moist fan setting, which prevents loaves drying out. Crispy pizza is made simple with the dedicated setting – high heat bottom, low heat top. The soft close door feature enables a smooth, easy action.

Dimensions
H59.4 x W59.4 x D56.7cm
Aperture required
H59 x W56 x D55cm
For installation/fitting diagram see page 46



Controls
Touch controls

Oven lining
Grey enamel

Cooking modes

Bottom heat
Defrost
Grill
Fan cooking
Slow cooking
Fast grilling
Turbo grilling
Roasting
Full steam cooking
Steam assisted cooking
Moist fan baking
Pizza cooking
Fast heat-up
Frozen foods
Conventional cooking
Keep warm
Automatic programmes

Additional features
Soft close door
Fully programmable timer
Quadruple glazed door
Food probe

Performance
Energy rating A-10%*
Oven capacity 73L
Oven cavity classification Large

* Saving 10% more energy (only 0,89 kWh) versus the given threshold value (<1,0 kWh) of the EU standard (DIN EN 50304/ DIN EN 60350)

Connection information
Required fuse 16 amps
Total electricity loading 3500W

Accessories included
2x level variable telescopic runners
1x cake tray
1x dripping pan
1x chrome trivet
2x stainless steel wire shelves
Steam pan kit (punched and unpunched stainless steel pan)

John Lewis
electric double oven
JLBIDO 913
Stock number 890 40206

£699

3-year guarantee
Extend to 5 years for £60

The main oven has fan cooking for even results on all shelves. Food is quickly sealed, and different dishes can be cooked at the same time without flavour crossover.

The second oven provides extra capacity when entertaining and greater economy for smaller dishes and boasts a full width, dual-circuit grill.



Dimensions
H88.8 x W59.4 x D54.8cm
Aperture required
H87.5 x W56 x D55cm
For installation/fitting diagram see page 47

Controls
Touch controls

Oven lining
Catalytic

Cooking modes (top oven)

Bottom heat
Grill
Fast grilling
Conventional cooking
Keep warm

Cooking modes (main oven)

Bottom heat
Grill
Fast grilling
Turbo grilling
Slow cooking
Fast heat-up
Defrost
Fan cooking
Pizza cooking
Conventional cooking
Keep warm

Additional features
Fully programmable timer
Triple glazed doors

Performance
Energy rating (top oven) A
Energy rating (main oven) A
Oven capacity (top) 43L
Oven capacity (main) 68L
Oven cavity classification (top) Medium
Oven cavity classification (main) Large

Connection information
Required fuse 30 amps
Total electricity loading 6200W

Accessories included
1x dripping pan
1x chrome trivet
3x chromed wire shelves

John Lewis
electric built-under double oven
JLBIDU 712
Stock number 890 40205

£699

3-year guarantee
Extend to 5 years for £60

This neat built-under double oven is perfect for when you want more than one oven without compromising on worktop space in your kitchen.

The main oven has fan cooking for even results on all shelves, and can be switched off for conventional cooking, while the traditional second oven provides extra capacity when entertaining.



Dimensions
H71.5 x W59.4 x D54.8cm
Aperture required
H87 x W60 x D56cm
For installation/fitting diagram see page 47

Controls
Touch controls

Oven lining
Catalytic

Cooking modes (top oven)

Bottom heat
Grill
Fast grilling
Conventional cooking
Keep warm

Cooking modes (main oven)

Bottom heat
Grill
Fast grilling
Turbo grilling
Slow cooking
Fast heat-up
Defrost
Fan cooking
Pizza cooking
Conventional cooking

Additional features
Fully programmable timer
Triple glazed doors

Performance
Energy rating (top oven) A
Energy rating (main oven) A
Oven capacity (top) 40L
Oven capacity (main) 46L
Oven cavity classification (top) Medium
Oven cavity classification (main) Medium

Connection information
Required fuse 30 amps
Total electricity loading 6000W

Accessories included
1x dripping pan
1x chrome trivet
3x chromed wire shelves

**John Lewis
compact oven and microwave**
JLBIC 02
Stock number 890 90202

£599

3-year guarantee
Extend to 5 years for £60

This built-in microwave defrosts, cooks and cooks from frozen automatically: just select the food type and weight and it calculates the right timing and power.

There are 5 microwave power levels, a 1500W grill for quick and even results, and combination microwave/grill/convection settings for extra fast cooking. And the grill-with microwave browns food in about half the normal cooking time.

Dimensions
H45.5 W59.4 D54.2cm
Aperture required
H45 W56 D55cm
For installation/fitting diagram see page 48

Controls
Touch controls

Oven lining
Stainless steel

Cooking modes
Microwave
Grill
Conventional cooking
Microwave and grill
Microwave and convection oven

Additional features
5 power levels
24 hour clock
Programs: 4x defrost, 4x cook by weight, 4x reheat by weight

Performance
Heating category E
Oven capacity 32L
Microwave output power 1000W
Grill output power 1500W

Connection information
Required fuse 15 amps
Total electricity loading 3400W

Accessories included
1x glass baking tray
1x grill rack

**John Lewis
warming drawer**
JLDR 14
Stock number 890 50202

£399

3-year guarantee
Extend to 5 years for £23

Our stainless steel warming drawer can be paired with a 45cm compact oven or 60cm single oven. Use it for keeping food warm, heating up plates, low temperature cooking, proving dough and defrosting. Adjustable temperatures 30°C – 80°C.





All our appliances are perfectly complemented by the John Lewis fitted kitchen range. Please ask our store staff for the John Lewis fitted kitchen and freestanding brochures.



John Lewis
60cm gas hob
 JLBIGH 602
 Stock number 890 10208

£239

3-year guarantee
 Extend to 5 years for £31

This stainless steel gas hob features 2-piece cast iron pan supports and includes 1 simmer, 1 rapid and 2 standard burners. With mains ignition via front-mounted rotary knobs for complete control, and flame failure cut out for extra peace of mind.

Dimensions H3 W59.4 D51cm
Aperture required H3 W56 D48cm
 For installation/fitting diagram see page 49

Features

Burners
 1 high-speed 3kW
 2 standard 2kW
 1 simmer 1kW



John Lewis
70cm gas hob
 JLBIGH 753
 Stock number 890 10207

£359

3-year guarantee
 Extend to 5 years for £31

This versatile gas hob has five burners in four different sizes. The centre triple crown wok burner provides the intensive heat required for perfect stir fry cooking. With cast-iron durable pan supports and easy-to-reach, front mounted rotary control knobs, and flame-failure device.

Dimensions H3 W74.4 D51cm
Aperture required H3 W56 D48cm
 For installation/fitting diagram see page 49

Features

Burners
 1 triple wok burner 4kW
 1 high speed 3kW
 2 standard 2kW
 1 simmer 1kW

75cm hob fits into a 60cm aperture for easy installation



John Lewis
60cm gas ceramic hob
 JLBIGGH 605
 Stock number 890 10206

£379

3-year guarantee
 Extend to 5 years for £31

This 4-burner ceramic gas hob in shiny black glass features neat controls for a clean and uncluttered hob surface. The two removable cast-iron pan supports have non-slip silicon feet and again, a flame-failure device is on hand for peace of mind.

Dimensions H3 W59 D52cm
Aperture required H3 W56 D48cm
 For installation/fitting diagram see page 50

Features

Burners
 1 simmer 1kW
 2 standard 1.9kW
 1 high speed 2.9kW



John Lewis
70cm gas ceramic hob
 JLBIGGH 755
 Stock number 890 10205

£459

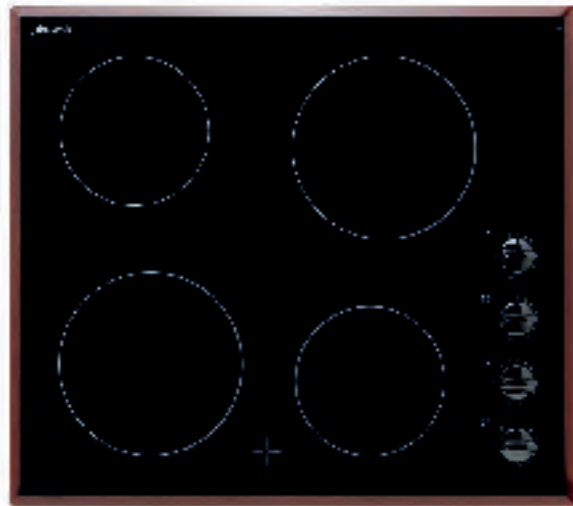
3-year guarantee
 Extend to 5 years for £31

This 5-burner ceramic gas hob in shiny black glass features neat controls for a clean and uncluttered hob surface. The two removable cast-iron pan supports have non-slip silicon feet and again, a flame-failure device is on hand for peace of mind.

Dimensions H3 W68 D51cm
Aperture required H4 W56 D48cm
 For installation/fitting diagram see page 50

Features

Burners
 1 simmer 1kW
 3 standard 1.9kW
 1 triple wok burner 3.8kW



John Lewis
fast-heat ceramic hob
 JLBICH 601
 Stock number 890 20201

£249

3-year guarantee
 Extend to 5 years for £31

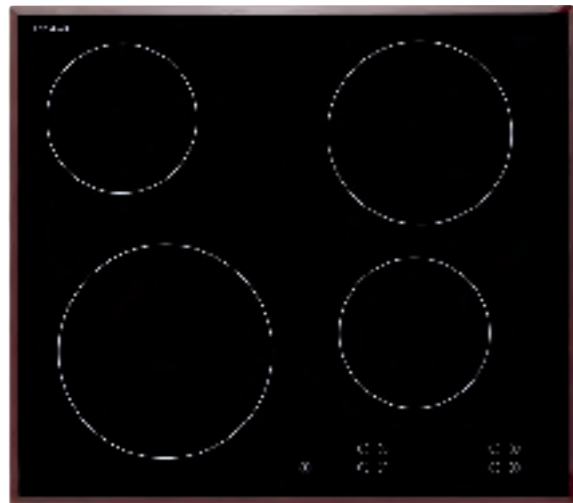
This fast-heat electric hob with side controls has four cooking zones, each with 12 power levels for extra control. Residual heat indicators show when the hob is too hot to touch.

Dimensions H0.5 W59 D52cm
Aperture required H3.8 W56 D49cm
 For installation/fitting diagram see page 51

Features

- 4 ceramic cooking zones
- Front left 1.8kW
- Back left 1.2kW
- Front right 1.2kW
- Back right 1.8kW

Total electricity loading 6000W
 12 power levels
 Residual heat indicators
 Easy-to-use side mounted rotary controls



John Lewis
fast-heat ceramic hob
 JLBICH 605
 Stock number 890 20205

£349

3-year guarantee
 Extend to 5 years for £31

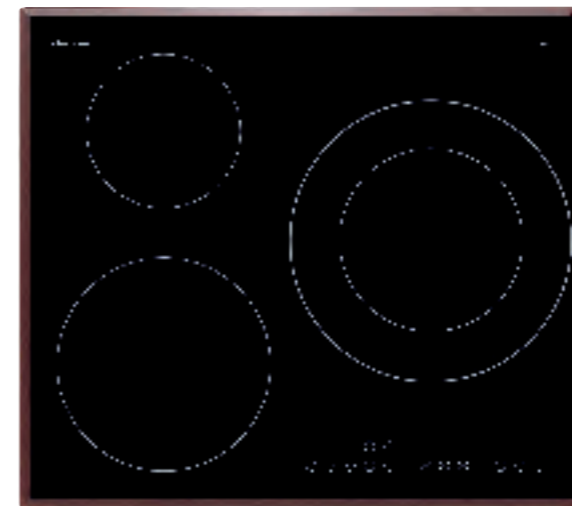
This fast-heat electric hob with sleek front touch controls has four cooking zones, each with 9 power levels for extra control. Residual heat indicators show when the hob is too hot to touch.

Dimensions H0.5 W59 D52cm
Aperture required H3.8 W56 D49cm
 For installation/fitting diagram see page 51

Features

- 4 ceramic cooking zones
- Front left 2.3kW
- Back left 1.2kW
- Front right 1.2kW
- Back right 1.8kW

9-segment power display
 Residual heat indicators
 Front mounted touch controls
 Child safety lock – prevents the hob from being switched on



John Lewis
induction ceramic hob
 JLBIIH 606
 Stock number 890 20206

£399

3-year guarantee
 Extend to 5 years for £31

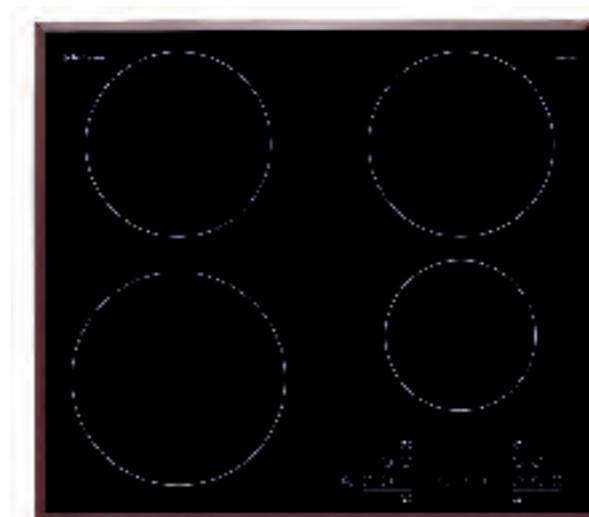
This fast-heat electric hob has three cooking zones, including one extra-large dual zone hob ring that's perfect for cooking paella, or other dishes requiring a large-size pan. The sleek touch controls have nine power levels for extra control, while residual heat indicators warn when a hob is too hot to touch.

Dimensions H0.5 W59 D52cm
Aperture required H5.5 W56 D49cm
 For installation/fitting diagram see page 53

Features

- 3 induction cooking zones
- Front left 210mm/2.3kW – boost 3.7kW
- Back left 145mm/1.4kW
- Right 180mm/1.8kW – boost 2.8kW
- 280mm/3.5kW – boost 3.7kW

Total electricity loading 7400W
 9 power levels
 Auto time control for each zone
 Child/user friendly control lock



John Lewis
induction ceramic hob
 JLBIIH 603
 Stock number 890 20203

£449

3-year guarantee
 Extend to 5 years for £31

Ultra-efficient induction works by creating a magnetic field between the hob and steel or iron pan. The heat is instant; it is easily controlled and energy efficient.

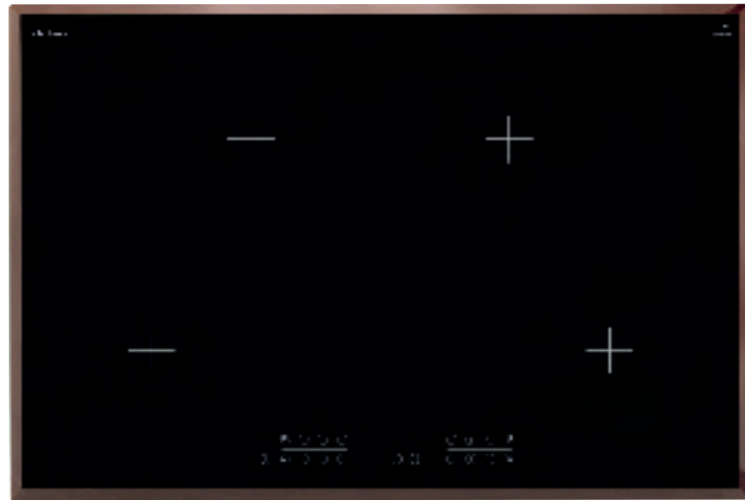
Each of the four cooking zones has 9 power levels for extra control, while the two front zones have boosters for even faster heating.

Dimensions H0.5 W59 D52cm
Aperture required H5.5 W56 D49cm
 For installation/fitting diagram see page 52

Features

- 4 induction cooking zones
- Front left 210mm/2.3kW – boost 3.7kW
- Back left 180mm/1.8kW
- Front right 145mm/1.4kW – boost 2.5kW
- Back right 180mm/1.8kW

Total electricity loading 7400W
 9 power levels
 Auto time control for each zone
 Child/user friendly control lock



John Lewis
multi-pan induction ceramic hob
JLBIIH 804
Stock numbers 890 20204

£699

3-year guarantee
Extend to 5 years for £31

It doesn't matter how many pans you have or what size they are, place them anywhere on this hob as long as they sit on one of the four cross markers.

The hob automatically senses the size of the pan and only heats the exact area needed, using the minimum amount of energy possible.

Dimensions H0.8 W78 D52cm
Aperture required H5 W75 D49cm
For installation/fitting diagram see page 52

Features

Front left	210mm/2.3 – 3.2kW
Back left	210mm/2.3 – 3.2kW
Front right	210mm/2.3 – 3.2kW
Back right	210mm/2.3 – 3.2kW

Total electricity loading 7400W
Auto time control for each zone
Child/user friendly control lock





John Lewis
60cm integrated chimney hood
 JLBHID 608
 Stock number 866 70209

£199

3-year guarantee
 Extend to 5 years for £23

Our integrated cooker hood incorporates 3 extraction speeds for all levels of cooking fumes, controlled by a simple slider switch. It also features 2x 20W bright halogen lamps, and 2x baffle cassette grease filters trap grease more efficiently than standard filters – they're also easy to remove and dishwasher safe.

Dimensions H45 W59.8 D54cm

Features

- 3 extraction speeds
- 2 halogen lamps
- Efficient 440m³/h extraction
- Quiet 67dB(A) noise level



John Lewis
60cm glass canopy chimney hood
 JLBHID 603
 Stock number 866 70204

£299

3-year guarantee
 Extend to 5 years for £23

This 60cm wide chimney hood with stylish glass canopy is suitable for ducting or recirculation, with 3 push-button speed settings (maximum noise rating 68dB), 2x 40W halogen lamps and washable metal grease filters.

Dimensions H74-94.5 W59.8 D52cm

Features

- 3 extraction speeds
- 2 halogen lamps
- Adjustable chimney section height
 74cm-94.5cm
- Efficient 550m³/h extraction
- Quiet 68dB(A) noise level



John Lewis
60cm chimney hood
 JLBHID 601
 Stock numbers 866 70202

£199

3-year guarantee
 Extend to 5 years for £23

This stainless-steel chimney hood has four push-button controls and two bright halogen lamps. The two baffle-cassette grease filters trap grease more efficiently than standard filters – just pop them in the dishwasher when they need cleaning.

Dimensions
 H80-100 W59.8 D49cm

Features

- 3 extraction speeds
- 2 halogen lamps
- Adjustable chimney section height
 80cm-100cm
- Efficient 610m³/h extraction
- Quiet 68dB(A) noise level



John Lewis
90cm triple-panel hood
 JLBHID 908
 Stock number 866 70210

£899

3-year guarantee
 Extend to 5 years for £23

This dramatic hood provides a centrepiece for any kitchen, designed for maximum visual impact. Making a real difference to your whole kitchen environment, it extracts the cooking fumes through slots in the stainless-steel panels. It has electronic touch controls with five variable extraction speeds and three halogen lights for optimum illumination of the cooking area.

Dimensions H77 W89.8 D36cm

Features

- Efficient intensive extraction 780m³/h,
 normal extraction 580m³/h
- Noise level 61dB (A)
- Electronic touch control
- 5 extraction speeds
- 3 halogen lamps
- 2 dishwasher safe baffle grease filters
- Ducted or recirculation modes
- Charcoal filter for recirculation mode

John Lewis
60cm dual-fuel double-oven cooker

JLFSMC 607 (stainless steel)
Stock number 866 00204

JLFSMC 609 (gloss black)
Stock number 866 00205

£799

3-year guarantee
Extend to 5 years for £90

This multifunction cooker has a variety of functions in both ovens, complemented by a multi-burner gas hob which includes a high power 3.5kW ultra rapid burner – great for wok cooking and larger pans – and smaller burners for slow simmering.



Finish Stainless steel or gloss black

Dimensions H90-96 (including upstand)
W60 D60cm

Hob

4 burners
Rear left: 1.8 kW
Front left: 3.5 kW
Rear right: 1.8 kW
Front right: 1.0 kW

Cooking modes (top oven)

Conventional cooking
Full width grill
Half grill
Lower element only

Cooking modes (main oven)

Fan
Conventional cooking
Full width grill
Full width grill with fan
Bottom heat with fan
Bottom heat

Additional features

Electronic programmable clock and timer
Double glazed doors
Removable roof liner
Rack shelving

Performance

Energy rating (top oven) A
Energy rating (main oven) A
Oven capacity (top) 31L
Oven capacity (main) 60L
Oven cavity classification (top) Small
Oven cavity classification (main) Medium
Total electricity loading 5400W

John Lewis
60cm electric cooker with electric ceramic hob

JLFSEC 608 (stainless steel)
Stock number 866 20204

JLFSEC 610 (gloss black)
Stock number 866 20205

£799

3-year guarantee
Extend to 5 years for £90

This all-electric 60cm double-oven cooker offers a variety of cooking functions – in both ovens and on the ceramic hob. Very easy to keep clean, the hob features ecological Suprema® black glass and has four ceramic zones, plus four residual heat indicators.



Finish Stainless steel or gloss black

Dimensions H90-96 (including upstand)
W60 D60cm

Hob

4 'High-light' cooking zones including one 2-way circular zone and one oval dual zone
Rear left: 1.2 kW
Front left: .75 kW/2.2 kW
Rear right: 1.4 kW/2.2 kW
Front right: 1.8 kW
Residual heat indicators
Ecological Suprema black glass

Cooking modes (top oven)

Conventional cooking
Full width grill
Half grill
Bottom heat

Cooking modes (main oven)

Fan
Conventional cooking
Full width grill
Full grill with fan
Bottom heat with fan
Bottom heat

Additional features

Electronic programmable clock and timer
Double glazed doors
Removable roof liner for easy cleaning
Rack shelving

Performance

Energy rating (top oven) A
Energy rating (main oven) A
Oven capacity (top) 31L
Oven capacity (main) 60L
Oven cavity classification (top) Small
Oven cavity classification (main) Medium
Total electricity loading 12800W

This versatile cooker has two multifunction electric ovens and a gas hob. Different burner types on the hob include a high-powered ultra rapid burner, which is extremely quick and efficient for wok cooking and large pans. The one-piece steel top gives fewer hiding places for dirt and grease.

**John Lewis
multi-function
90cm range
cooker**

JLRC 906
Stock number
866 80112

£999

3-year guarantee
Extend to 5 years
for £90



Finish Stainless steel or gloss black

Dimensions H90-96 (including upstand)
W89.8 D60cm

Hob

5 burners
Right front: 1.75 kW
Right rear: rapid 3.0 kW
Centre: wok burner 3.5 kW
Left front: ultra rapid 3.5 kW
Left rear: 1.0 kW

Cooking modes (main oven)

Fan
Conventional cooking
Full width grill
Full grill with fan
Bottom heat with fan
Bottom heat

Cooking modes (second oven)

Conventional cooking
Full width grill
Half width grill
Bottom heat

Additional features

Electronic programmable clock and timer
Double glazed doors
Removable roof liner for easy cleaning
Rack shelving
Double storage compartment
Adjustable feet and plinth

Performance

Energy rating (main oven) A
Energy rating (second oven) A
Oven capacity (main) 72L
Oven capacity (second) 35L
Oven cavity classification (main) Medium
Oven cavity classification (second) Small
Total electricity loading 4300W

**John Lewis
multi-function
90cm range
cooker**

JLRC 907
Stock number
866 80113

Product available
to view online only.
Can be ordered
in store or online.

£999

3-year guarantee
Extend to 5 years
for £90



With its double oven and six gas burners, this impressive cooker is built to handle even the busiest of kitchens.

The large main oven has seven functions, including a conventional top and bottom element for traditional cooking, and Circulaire function offering combined fan and circular element heat, for an even temperature and faster cooking time, while the vapor clean function aids cleaning. The second oven has four functions, including grill with fan. Both ovens have double-glazed thermo-reflecting doors to keep the outside surface cool, and there's a storage compartment for stowing away trays, pots and accessories.

Finish Stainless steel or gloss black

Dimensions 85 x 100 x 60cm

Hob

6 burners

Right front: 1.75 kW

Right rear: 3 kW

Centre front: 1 kW

Centre rear: 1.75 kW

Left front: 3.5 kW

Left rear: 1 kW

Cooking modes (main oven)

Conventional cooking

Fan

Fan with lower element

Full width grill

Full width grill with fan

Bottom heat only

Cooking modes (second oven)

Full width grill

Half grill

Variable grill

Conventional cooking

Bottom heat only

Additional features

Electronic programmable clock and timer

Storage compartment

Removable glass doors

Removable roof liner

Roasting pan and baking tray

Three chrome shelves

Performance

Energy rating (main oven) A

Energy rating (second oven) A

Oven capacity (main) 68L

Oven capacity (second) 27L

Oven cavity classification (main) Medium

Oven cavity classification (second) Small

Total electricity loading 4300W

**John Lewis
multi-function
range cooker**
JLRCSS 104
Stock number
866 80110

Product available
to view online only.
Can be ordered
in store or online.

£1,099

3-year guarantee
Extend to 5 years
for £90



**John Lewis
multi-function
range cooker**
JLRCBK 105
Stock number
866 80111

£1,099

3-year guarantee
Extend to 5 years
for £90





John Lewis
microwave oven
 JLMWGR 005
 Stock number 866 90205

£139

2-year guarantee
 Extend to 5 years for £35

This microwave's unique Crispy Cook feature is perfect for achieving oven-like results, with four settings for French fries, frozen pizza, fish fingers and chicken nuggets. Eight Auto Cook programmes cook a variety of everyday foods, including jacket potatoes, rice, vegetables, fish, meat and chicken. There's also a choice of Auto Defrost settings, each helping reduce 'hot spots'.

Dimensions H29 W50.8 D40cm
 Net capacity 28 litres

Features
 900W microwave with 5 power levels
 1000W quartz grill
 LED display
 Crispy cook
 Auto weight cook
 Auto defrost
 Quick start
 Quick defrost
 Child lock

Accessories include two shelves and a crisper tray



John Lewis
microwave oven
 JLMWCM 006
 Stock number 866 90206

£219

2-year guarantee
 Extend to 5 years for £35

The innovative, rounded interior of this microwave makes cooking even quicker, and cleaning easier. Four Auto Cook programmes cook a variety of foods including jacket potatoes and fresh vegetables, plus four Auto Reheat programmes automatically reheat food to the ideal temperature. For cooked foods that are best eaten crispy, the Crispy Reheat programme ensures no crispiness is lost when re-heated.

Dimensions H32.2 W53 D42.7cm
 Net capacity 32 litres

Features
 900W microwave with 5 power levels
 1250W quartz grill
 Fan assisted convection oven
 Bright VFD display
 Easy to clean
 Crispy reheat
 Roast
 Defrost and bake
 Auto weight cook
 Auto defrost
 Quick start
 Quick defrost
 Child lock

Accessories include two shelves and a metal tray

Single ovens

Model number	John Lewis JLBIOS 611	John Lewis JLBIOS 612	John Lewis JLBIOS 613	John Lewis JLBIOS 614
Stock number	890 30216	890 30217	890 30218	890 60201
Finish	S-steel with antifingerprint	S-steel with antifingerprint	S-steel with antifingerprint	S-steel with antifingerprint
Cooking functions				
Bottom heat		■	■	■
Conventional cooking		■	■	■
Fan cooking	■	■	■	■
Eco roasting		■	■	■
Pizza cooking		■	■	
Keep warm		■	■	
Slow cooking		■	■	
Cook from frozen		■	■	■
Defrost	■	■	■	■
Fast heat-up		■	■	■
Grilling		■	■	■
Fast grilling	■	■	■	■
Turbo grilling	■			
Full steam cooking				■
Steam assisted cooking				■
Moist fan baking				■
Features		■	■	■
Temperature range	50°C – 275°C	30°C – 300°C	30°C – 300°C	30°C – 230°C
Glazing	Triple	Triple	Quadruple	Quadruple
Drop down door	■	■	■	■
LED clock/timer/ auto-programmer	■	■	■	■
Minute minder	■	■	■	■
Acoustic signal	■	■	■	■
Oven thermostat	■	■	■	■
Oven controls	Pop in/out	Touch	Touch	Touch
Oven light	Top	Top and side	Top and side	Top and side

Double ovens

Model number	John Lewis JLBIDO 913	John Lewis JLBIDU 712
Stock number	890 40206	890 40205
Finish	Stainless steel	Stainless steel
Cooking functions		
Bottom heat	■ Both ovens	■ Both ovens
Conventional cooking	■ Both ovens	■ Both ovens
Fan cooking	■	■
Eco roasting		
Pizza cooking	■	■
Keep warm	■ Both ovens	■ Both ovens
Slow cooking	■	■
Cook from frozen		
Defrost	■	■
Fast heat-up		
Grilling	■ Both ovens	■ Both ovens
Fast grilling	■ Both ovens	■ Both ovens
Turbo grilling	■	■
Full steam cooking		
Steam assisted cooking		
Moist fan baking		
Features		
Temperature range	50°C – 275°C	50°C – 275°C
Glazing	Triple	Triple
Drop down door	■	■
LED clock/timer/ auto-programmer	■	■
Minute minder	■	■
Acoustic signal	■	■
Oven thermostat	■	■
Oven controls	Touch	Touch
Oven light	At back	At back

Single ovens

Model number	John Lewis JLBIOS 611	John Lewis JLBIOS 612	John Lewis JLBIOS 613	John Lewis JLBIOS 614
Stock number	890 30216	890 30217	890 30218	890 60201
Oven interior efficiency				
Energy efficiency class	A**	A**	A**	A*
Usable volume (litres)	74	74	74	73
Energy consumption hot air kW	0.79	0.79	0.79	0.89
Total electricity loading (W)	3500	3500	3500	3500
Cleaning method				
Pyrolytic self-cleaning system			■	
Catalytic heat-activated lining		■		■
Easy-clean enamel interior	■			■
Standard accessories				
Wire shelves	2 chromed	2 chromed	2 chromed	2 s/steel
Grill pan/roasting dish	1	1	1	1
Oven interior dimensions				
Main oven (millimetres)				
height	357	357	357	353
width	480	480	480	479
depth	416	416	416	414
Largest baking sheet surface area (sq cm)	1418	1418	1418	1424
Second oven (millimetres)				
height				212
width				440
depth				448
Largest baking sheet surface area (sq cm)				1175
Oven exterior dimensions				
height	594	594	594	594
width	594	594	594	594
depth	567	567	567	567
height (built-in)	590	590	590	590
width (built-in)	560	560	560	560
depth (built-in)	550	550	550	550

Double ovens

Model number	John Lewis JLBIDO 913	John Lewis JLBIDU 712
Stock number	890 40206	890 40205
Oven interior efficiency		
Energy efficiency class	A/A	A/A
Usable volume (litres)	43/68	40/46
Energy consumption hot air kW	0.79/0.88	0.79
Total electricity loading (W)	6200	6000
Cleaning method		
Pyrolytic self-cleaning system		
Catalytic heat-activated lining	■	■
Easy-clean enamel interior		
Standard accessories		
Wire shelves	3 chromed	3 chromed
Grill pan/roasting dish	1	1
Oven interior dimensions		
Main oven (millimetres)		
height	368	246
width	435	441
depth	409	410
Largest baking sheet surface area (sq cm)	1175	1175
Second oven (millimetres)		
height	212	210
width	440	439
depth	448	415
Largest baking sheet surface area (sq cm)	1175	1175
Oven exterior dimensions		
height	888	715
width	594	594
depth	548	548
height (built-in)	875	870
width (built-in)	560	600
depth (built-in)	550	560

A*

Saving 10% more energy (only 0,89 kWh) versus the given threshold value (<1,0 kWh) of energy class A (DIN EN 50304/ DIN EN 60350)

A**

Saving 20% more energy (only 0,79 kWh) versus the given threshold value (<1,0 kWh) of the EU standard (DIN EN 50304/ DIN EN 60350)



Refrigeration

All our integrated fridges and freezers are rated A+, offering excellent energy efficiency and performance, as well as costing less to run.

Doors are thoughtfully designed to integrate easily with your kitchen units, and there's plenty of practical interior storage, while advanced cooling and freezing technology preserves foods' nutritional value and freshness for longer. Ours is a range of discreet, hard-working appliances that go the extra mile.

John Lewis
built-under larder fridge
JLBIUCL 04
Stock number 857 20204

£379

3-year guarantee
Extend to 5 years for £33

With its large capacity, this is ideal for food storage under the counter. The three glass shelves are easy to clean and prevent spillages contaminating other foods.

Finish White

Dimensions H81.5 W59.6 D55cm
Aperture required H82 W60 D55cm
For installation/fitting diagram see page 53

Features

3 full-width glass shelves
1x full-width salad drawer
Dairy compartment
Auto defrost
Egg tray for 6 eggs
Right-hand reversible door; sliding hinge

Capacity

136 L net storage
140 L gross storage

Performance

Energy rating A+
Noise 36 dB (A)
Electricity consumption
(per annum) 124 kWh

John Lewis
built-under freezer
JLBIUCF 05
Stock number 857 40205

£429

3-year guarantee
Extend to 5 years for £50

The four freezer drawers are transparent so you can see the contents – they are also removable. Extra features include 'door open' and 'high temperature' warning lights and buzzers.

Finish White

Dimensions H81.5 W59.6 D55cm
Aperture required H82 W60 D55cm
For installation/fitting diagram see page 53

Features

4x full-width drawers
Fast freeze
Manual defrost
Visual and audible high temperature alarm
Right-hand reversible door; sliding hinge

Capacity

98 L net storage
108 L gross storage
18 kg fast freeze

Power cut safe time

29 hours

Performance

Energy rating A+
Noise 38 dB (A)
Electricity consumption
(per annum) 198 kWh



**John Lewis
larder fridge**
JLBILIC 07
Stock number 857 10204

£699

3-year guarantee
Extend to 5 years for £33

Our in-column larder fridge has a reversible door with a slider fixing to align it precisely with kitchen furniture. It features a highly efficient cooling system that circulates air to ensure a constant and even temperature throughout. Multifunction electronic touch controls with LED display ensure peace of mind.

Finish White

Dimensions H177.2 W54 D54.7cm
Aperture required H178 W56 D55cm
For installation/fitting diagram see page 54

Features

5 full-width glass shelves
1x full-width telescopic salad drawer
Dairy compartment
Auto defrost
Intensive cooling
Holiday mode
Egg tray for 6 eggs
Right-hand reversible door; sliding hinge
Multifunction electronic touch controls with LED display

Capacity

319 L net storage
323 L gross storage

Performance

Energy rating A+
Noise 33 dB (A)
Electricity consumption
(per annum) 143 kWh



**John Lewis
tall upright frost-free freezer**
JLBIFIC 05
Stock number 857 30201

£699

3-year guarantee
Extend to 5 years for £50

Our in-column freezer has a reversible door with a slider fixing to align it precisely with kitchen furniture. It features fast freeze, enabling you to temporarily lower the temperature of the appliance, ensuring your fresh produce freezes as quickly as possible and retains its texture and nutrients.

Finish White

Dimensions H177.2 W54 D54.7cm
Aperture required H178 W56 D55cm
For installation/fitting diagram see page 54

Features

5x full-width drawers
2x shelves with flaps
Fast freeze function
Frost free
1x ice tray
Visual and audible high temperature alarm
Right-hand sliding hinge; reversible door
Door open audible alarm
Multifunction electronic touch controls with LED display

Capacity

210 L net storage
220 L gross storage
20 kg fast freeze

Power cut safe time

24 hours

Performance

Energy rating A+
Noise 39 dB (A)
Electricity consumption
(per annum) 308 kWh



John Lewis
tall fridge-freezer
JLBIFF 1808
Stock number 857 60208

£799

3-year guarantee
Extend to 5 years for £70



Providing generous capacity storage for fresh and frozen food, this 50/50 split integrated fridge freezer boasts super-cooling air circulation in both compartments, which ensures constant, even temperatures. The reversible doors have slider fixings to align them precisely with kitchen furniture. Electronic temperature controls ensure peace of mind.

Finish White

Dimensions H177.2 W54 D54.7cm
Aperture required H178 W56 D56cm
For installation/fitting diagram see page 55

Features

- Frost free fridge
- Intensive cooling
- 3x full-width glass shelves
- 2x half-width salad drawers
- Dairy compartment
- Egg tray for 6 eggs
- Fast freeze function
- Frost free freezer
- 4x full-width drawers
- 1x ice tray
- Right-hand reversible door; sliding hinge
- Multifunction electronic touch controls with LED display

Capacity (fridge)

- 158 L net storage
- 161 L gross storage

Capacity (freezer compartment)

- 88 L net storage
- 108 L gross storage
- 10 kg fast freeze

Power cut safe time

- 25 hours

Performance

- Energy rating A+
- Noise 38 dB (A)
- Electricity consumption (per annum) 307 kWh

John Lewis
tall fridge-freezer
JLBIFF 1807
Stock number 857 60207

£749

3-year guarantee
Extend to 5 years for £70



This model places more emphasis on storing fresh food, while still incorporating a 3-drawer freezer. Super-cooling air circulation in both compartments ensures constant, even temperatures. The reversible doors have slider fixings to align them precisely with kitchen furniture. Again, electronic temperature controls ensure peace of mind.

Finish White

Dimensions H177.2 W54 D54.7cm
Aperture required H178 W56 D55cm
For installation/fitting diagram see page 56

Features

- Auto defrost fridge
- 4x full-width glass shelves
- 2x half-width salad drawers
- Dairy compartment
- Egg tray for 6 eggs
- Fast freeze function
- Frost free freezer
- 3x full-width drawers
- 1x ice tray
- Right-hand reversible door; sliding hinge
- Multifunction electronic touch controls with LED display

Capacity (fridge)

- 200 L net storage
- 202 L gross storage

Capacity (freezer compartment)

- 63 L net storage
- 78 L gross storage
- 10 kg fast freeze

Power cut safe time

- 21 hours

Performance

- Energy rating A+
- Noise 39 dB (A)
- Electricity consumption (per annum) 297 kWh



Washing

Our range of washing machines and dishwashers sit fully integrated behind your kitchen units for quiet and efficient cleaning.

Each appliance uses the minimal amount of energy, water and detergent, while delivering high-quality cleaning performance. The breadth of programmes, settings and time-saving features available ensures that, as well as fitting perfectly into your kitchen, a John Lewis washing appliance fits into your lifestyle.

John Lewis
integrated dishwasher
 JLBIDW 1203
 Stock number 887 00206

£469

3-year guarantee
 Extend to 5 years for £60

Boasting an auto half load feature, this full size fully integrated machine handles smaller loads with ease. A delay timer lets you take advantage of cheaper overnight energy tariffs, while the time remaining indicator lets you know how much of the wash cycle is left.

Dimensions H81.8 W59.6 D55.5cm
Aperture required H82 W60 D57cm
 For installation/fitting diagram see page 57

Features

12 place settings
 Remaining time display
 Delay start 1h-19h
 Adjustable racking
 Active drying
 Fully stainless steel cavity

Indicator lights

All-in-one tablet selected
 Program selected
 Rinse aid replenishment
 Salt replenishment

Programmes

30 minute 60°
 Auto 45°-70°
 Economy 50°
 Intensive 70°
 Rinse and hold

Performance

Wash rating	A
Energy rating	A+
Drying rating	A
Noise	48dB (A)
Water consumption (per cycle)	13 L
Electricity consumption (per cycle)	0.99 kWh
Estimated annual consumption (water)	3640 L
Estimated annual consumption (energy)	286 kWh



John Lewis
integrated slim-line dishwasher
 JLBIDW 902
 Stock number 887 10202

£449

3-year guarantee
 Extend to 5 years for £60

Designed for kitchens with limited space, this is a full-function, slim-line dishwasher for nine place settings. The machine is fully integrated behind a furniture door and the controls are positioned at the top of the door for easy access. It shines a red spotlight on the floor when in operation and sounds an alarm when finished.

Dimensions H81.8 W44.6 D55cm
Aperture required H82 W45 D57cm
 For installation/fitting diagram see page 57

Features

9 place settings
 Remaining time display
 Delay start 1h-19h
 Adjustable racking
 Active drying
 Beam on floor during cycle
 Fully stainless steel cavity

Indicator lights

All-in-one tablet selected
 Program selected
 Rinse aid replenishment
 Salt replenishment

Programmes

30 minute 60°
 Auto 45°-70°
 Economy 50°
 Intensive 70°
 Rinse and hold

Performance

Wash rating	A
Energy rating	A
Drying rating	A
Noise	49dB (A)
Water consumption (per cycle)	12 L
Electricity consumption (per cycle)	0.82 kWh
Estimated annual consumption (water)	3360 L
Estimated annual consumption (energy)	238 kWh



John Lewis
integrated washing machine
 JLBWIM 1402
 Stock number 888 30203

£499

3-year guarantee
 Extend to 5 years for £75

This washing machine is hidden behind your integral door, helping to give your kitchen a streamlined look. It has a large 6kg load capacity which helps save time, energy and water. It features the 'Aquaspray' system which showers soapy water onto the laundry giving a first-class wash.

Dimensions H82 W60 D55.5cm
Minimum opening H82.5 W60 D60cm
 For installation/fitting diagram see page 58

Finish White

Features

6 kg capacity
 Anti-flood device
 1400 rpm spin
 LCD display

Push buttons

Spin selection
 Rinse hold
 Stain
 Prewash
 Extra rinse
 Quick wash
 Delay start

Programmes

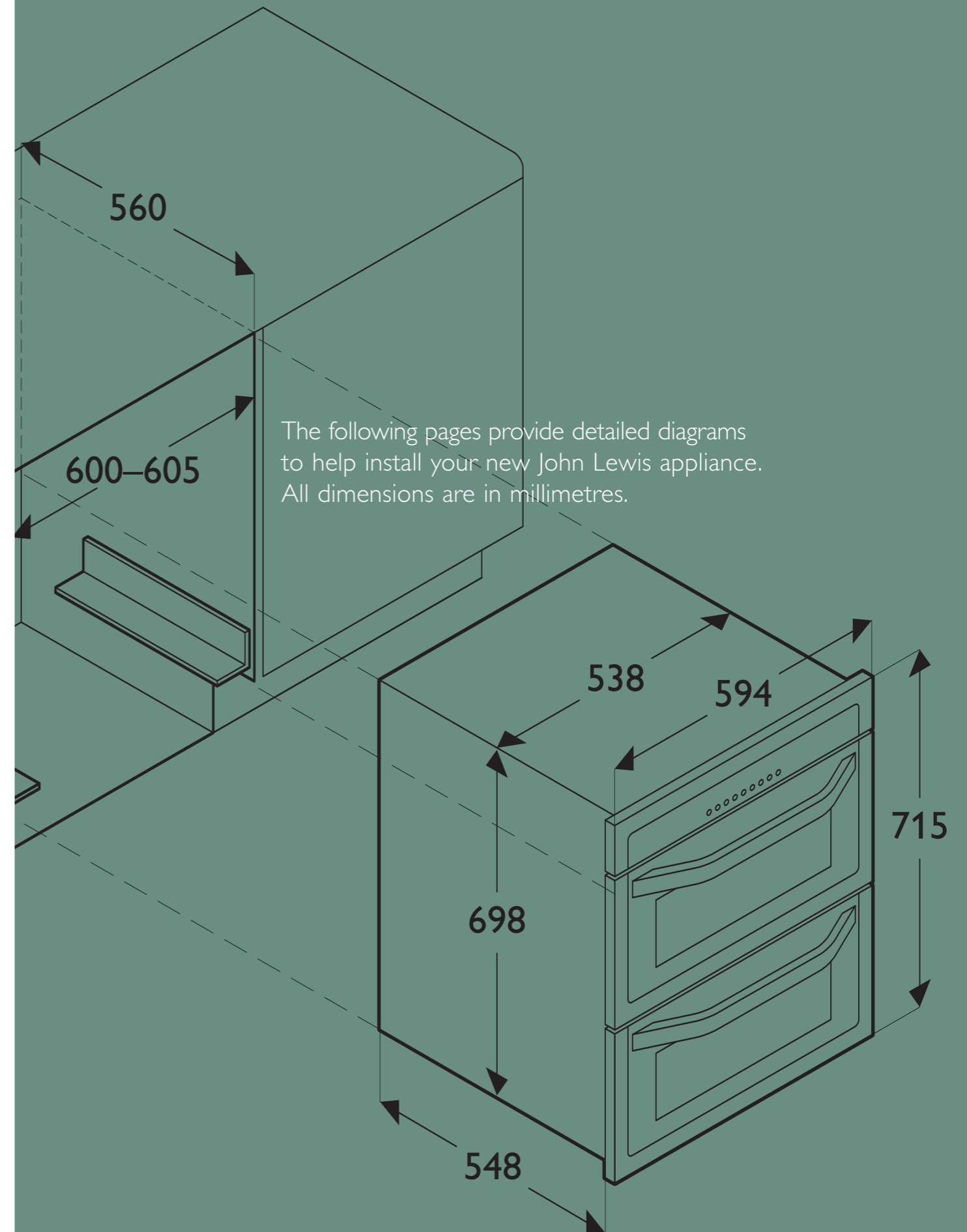
Cotton 90
 Cotton 60 economy
 Cotton 60
 Cotton 40 economy
 Cotton 40
 Cotton 30
 Synthetics 60
 Synthetics 40 economy
 Synthetics 40
 Synthetics 30
 Delicate 40
 Delicate 30
 Handwash 30
 Wool 30
 Wool cold
 Soak 30
 Rinses
 Drain
 Spin
 Miniprogram 30

Performance

Wash rating	A
Energy rating	A+
Spin rating	B
Noise (washing)	57 dB (A)
Noise (spinning)	73 dB (A)
Typical annual consumption (water)	7720 L
Typical annual consumption (energy)	189 kWh



Installation diagrams

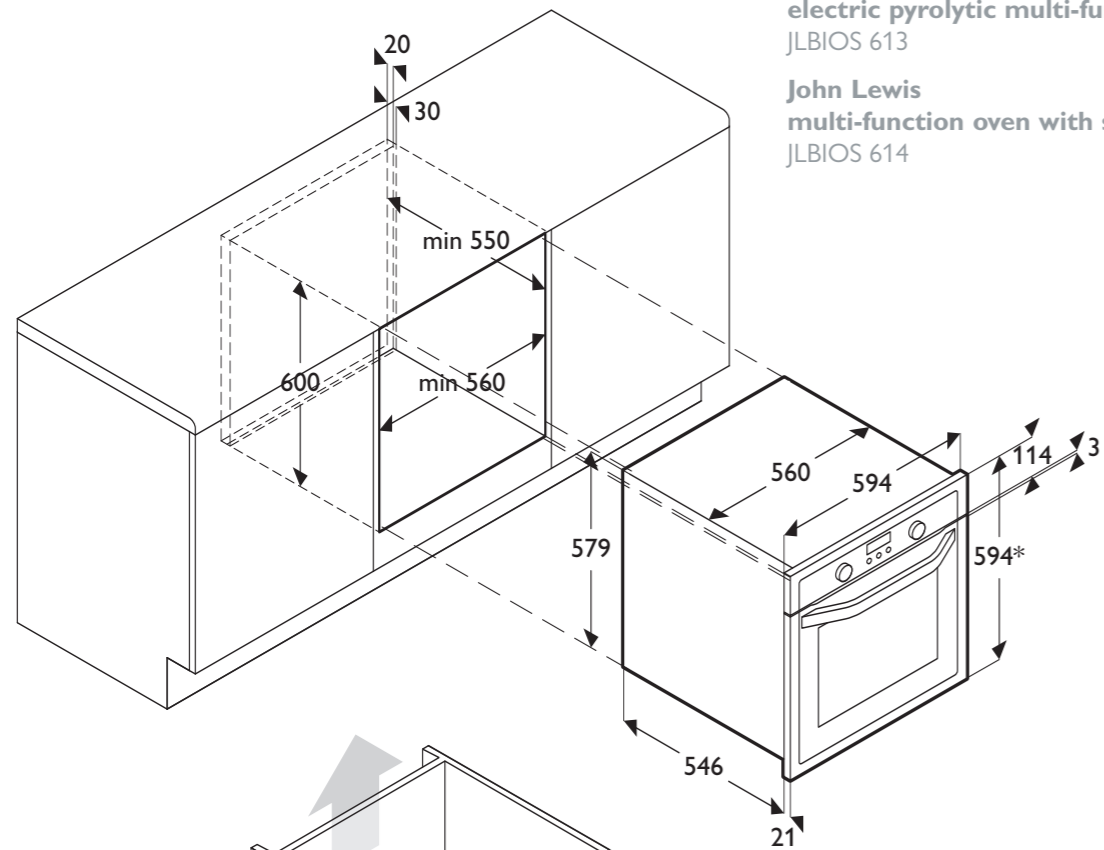


**John Lewis
electric single oven**
JLBIOS 611

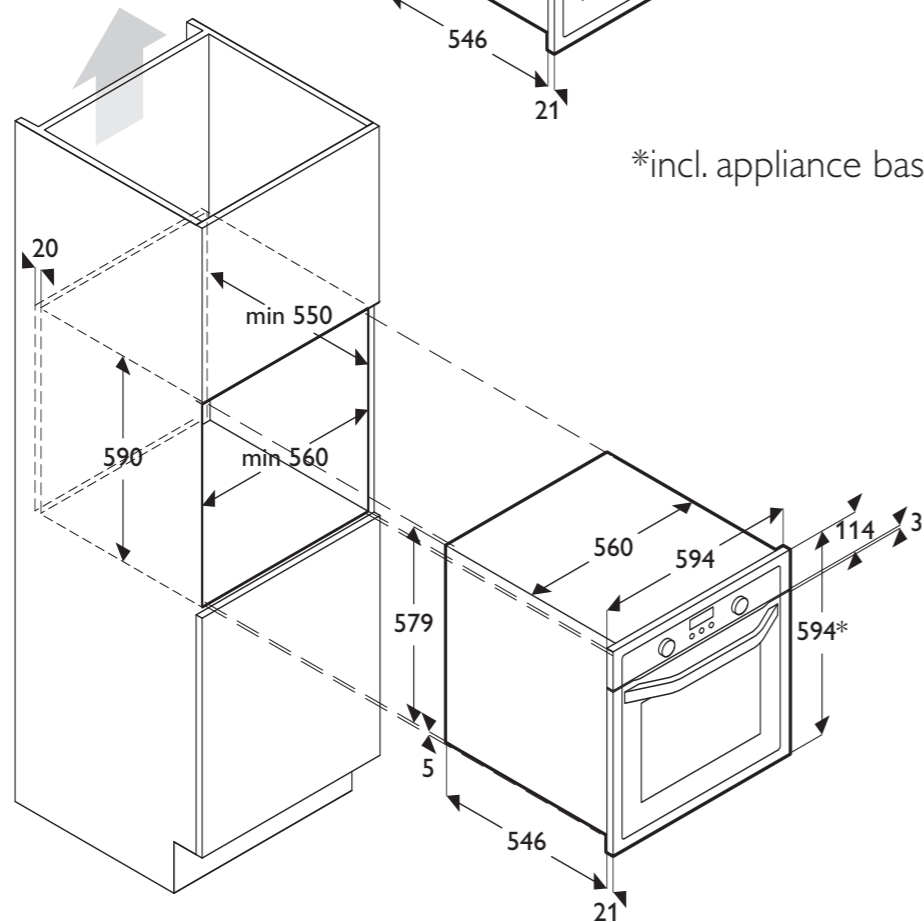
**John Lewis
electric multi-function single oven**
JLBIOS 612

**John Lewis
electric pyrolytic multi-function single oven**
JLBIOS 613

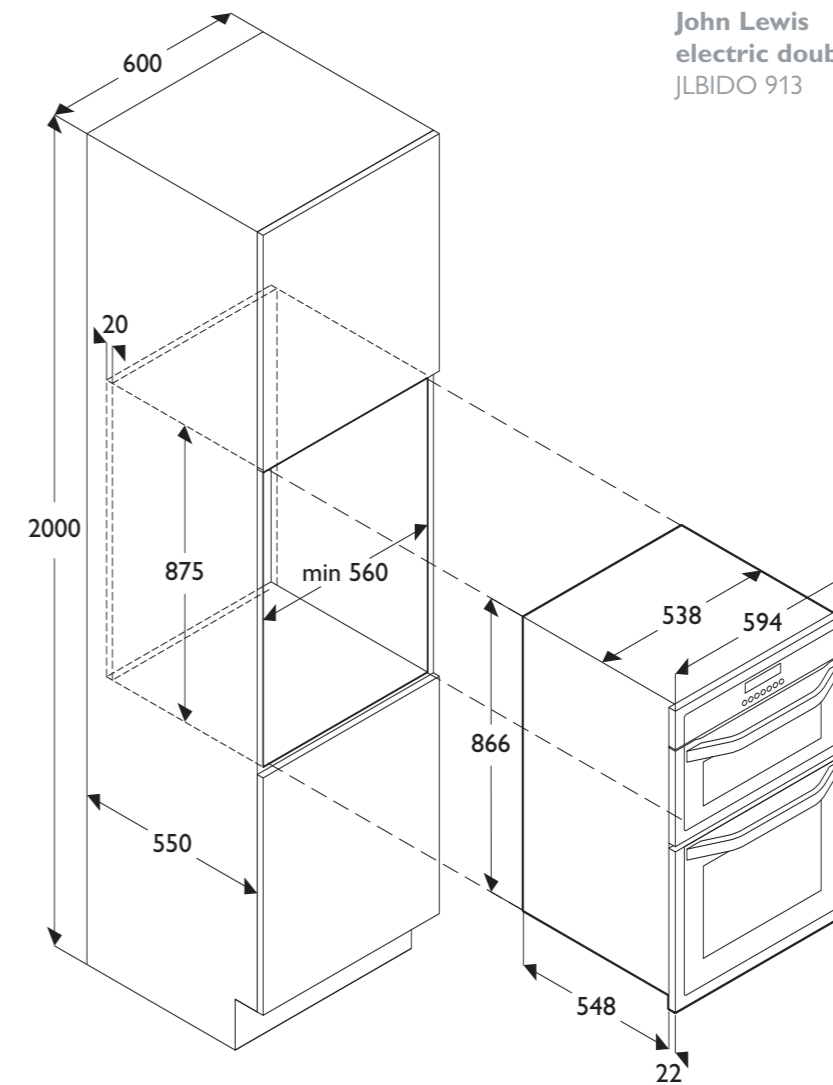
**John Lewis
multi-function oven with steam**
JLBIOS 614



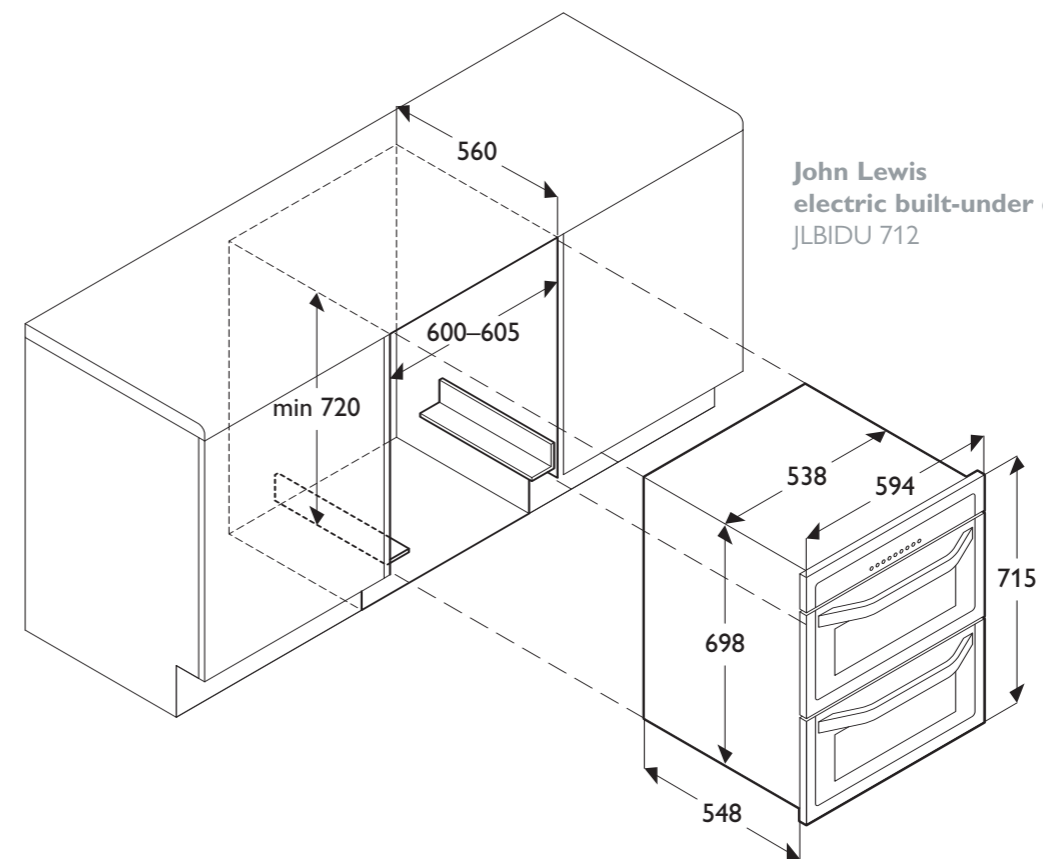
*incl. appliance base



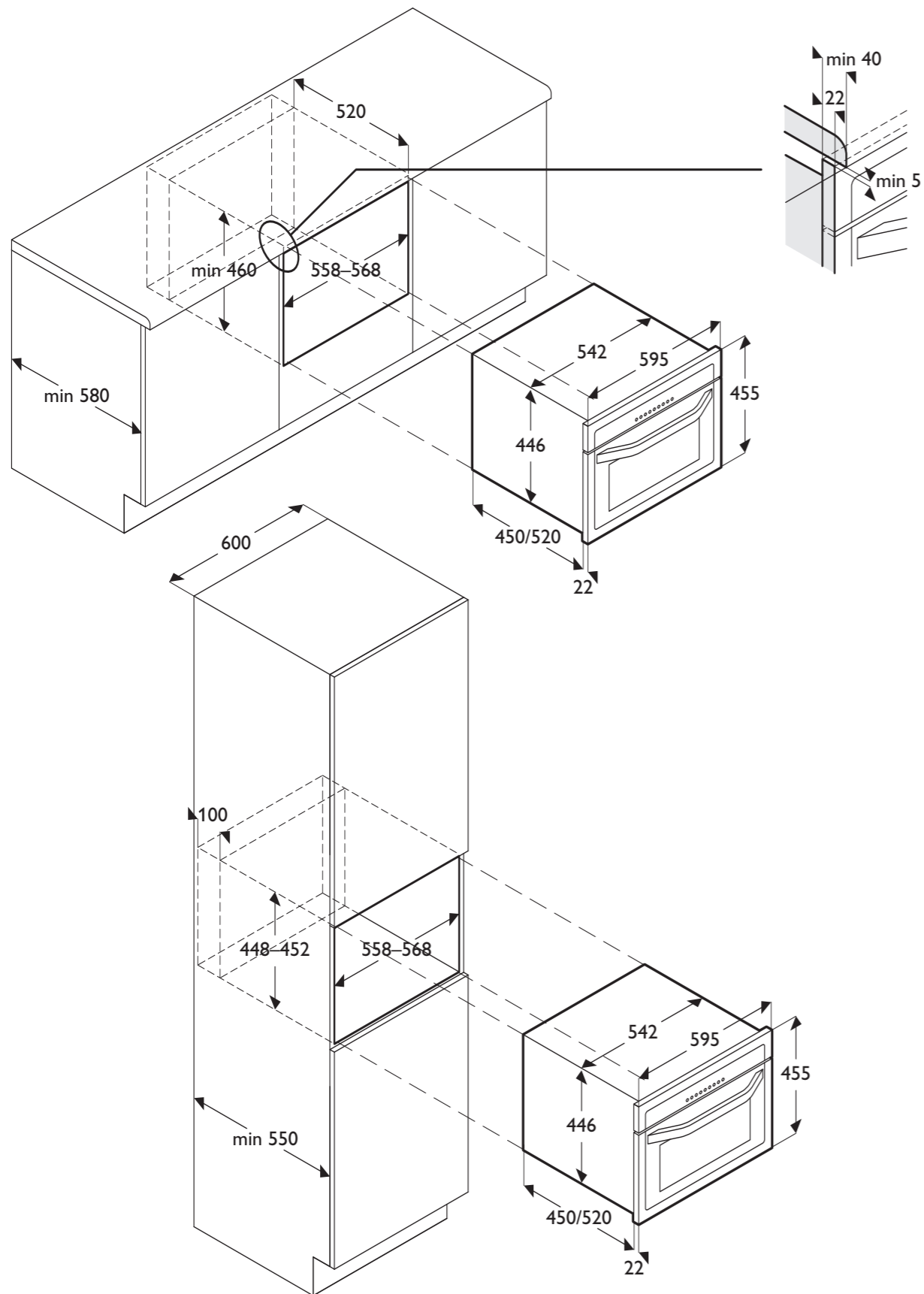
**John Lewis
electric double oven**
JLBIDO 913



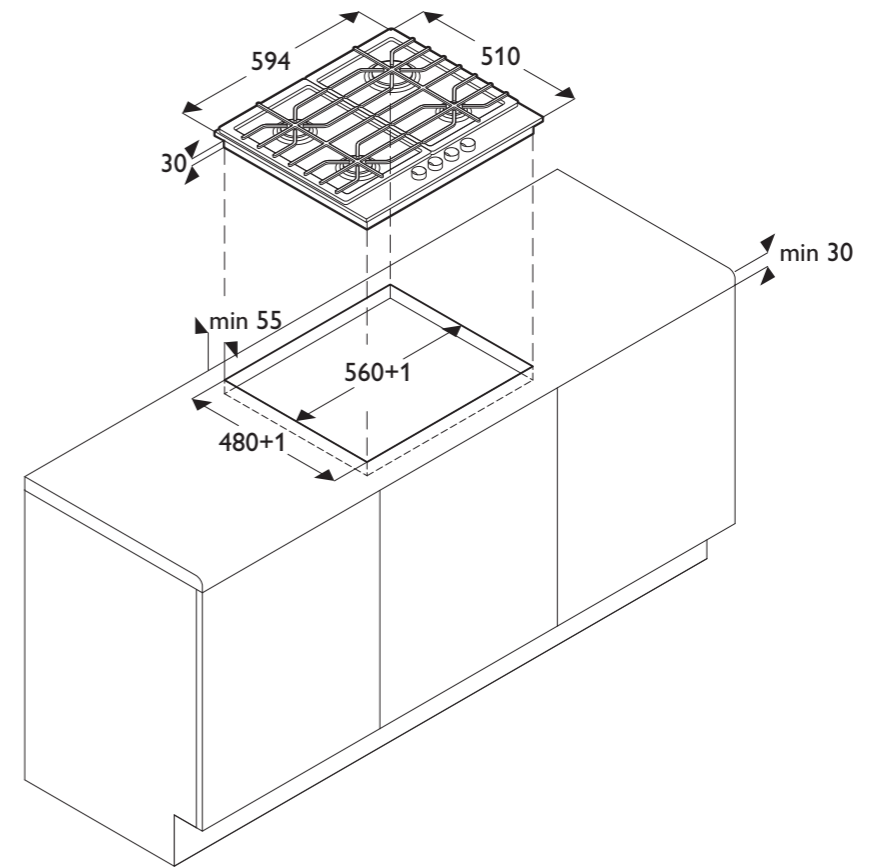
**John Lewis
electric built-under double oven**
JLBIDU 712



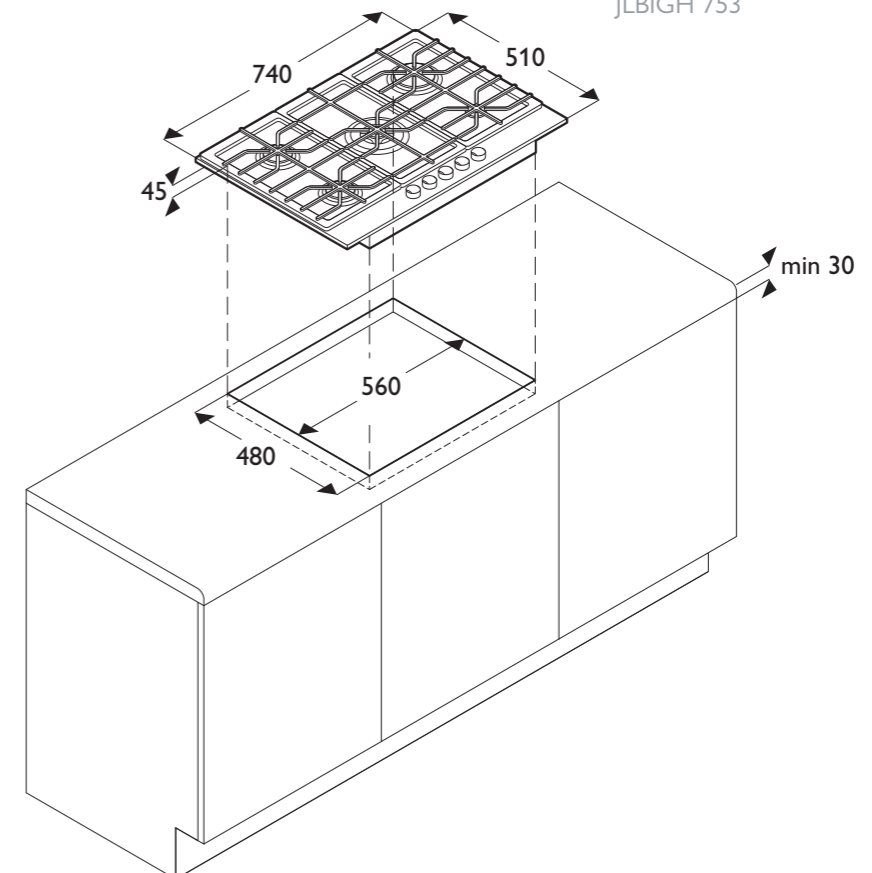
**John Lewis
compact oven and microwave**
JLBIC 02



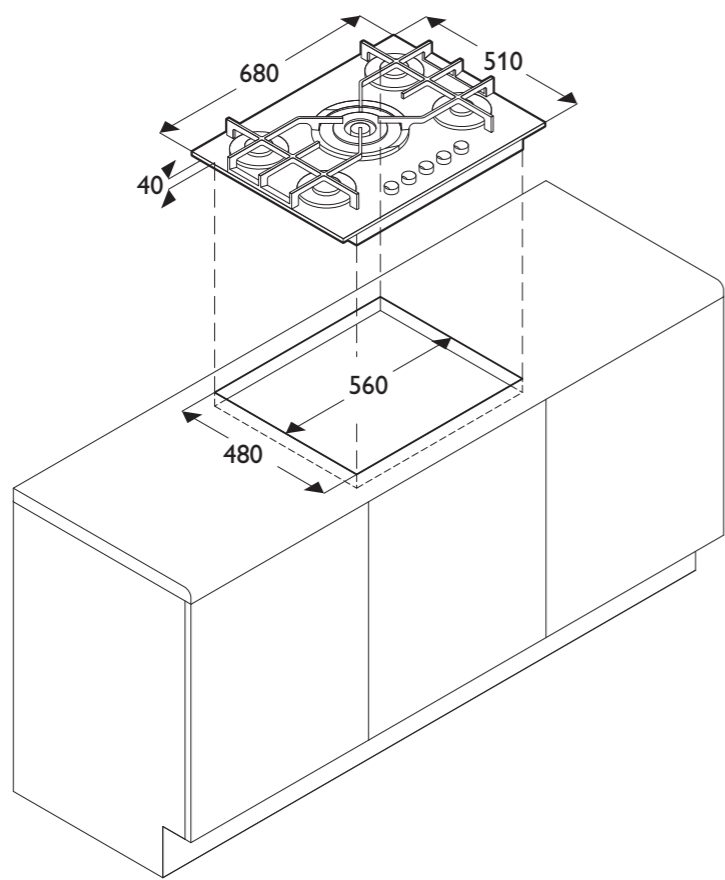
John Lewis 60cm gas hob
JLBIGH 602



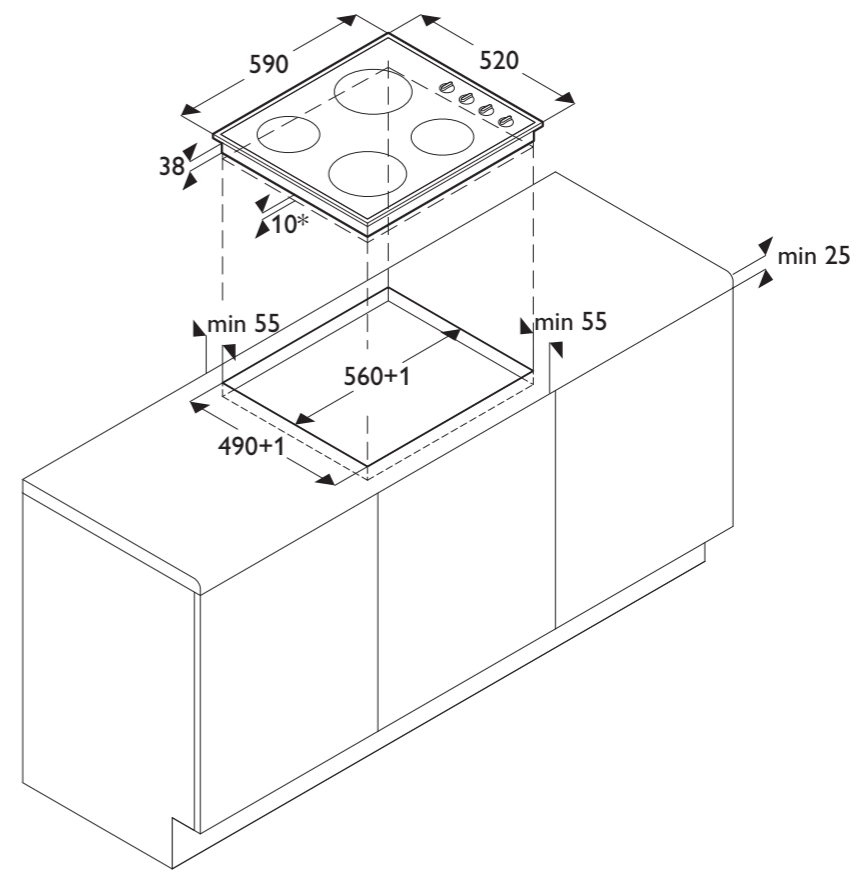
John Lewis 70cm gas hob
JLBIGH 753



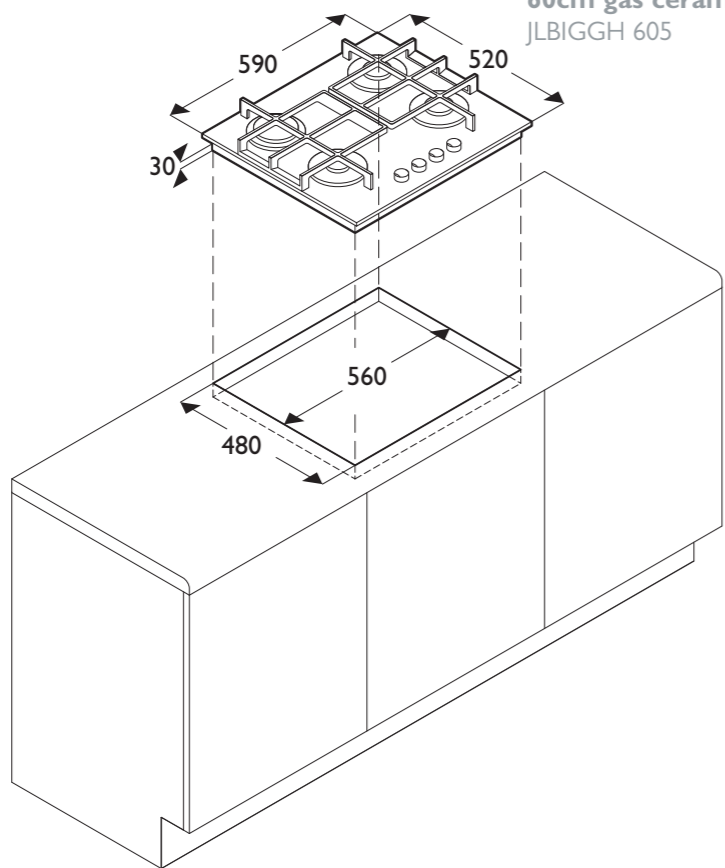
John Lewis 70cm gas ceramic hob
JLBIGGH 755



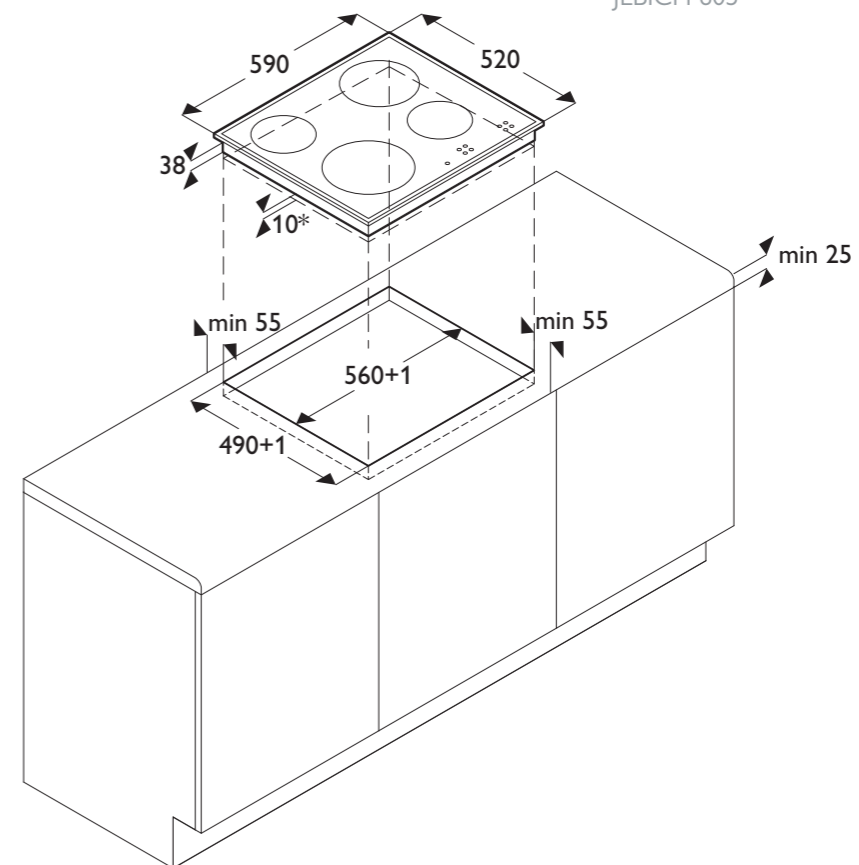
John Lewis fast-heat ceramic hob
JLBICH 601



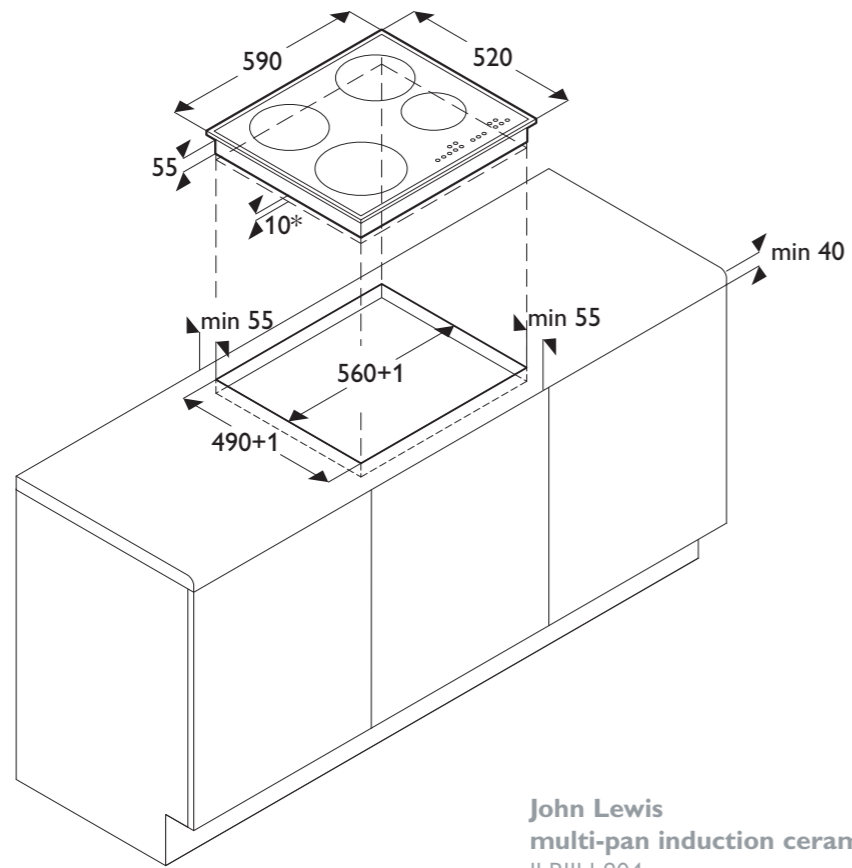
John Lewis 60cm gas ceramic hob
JLBIGGH 605



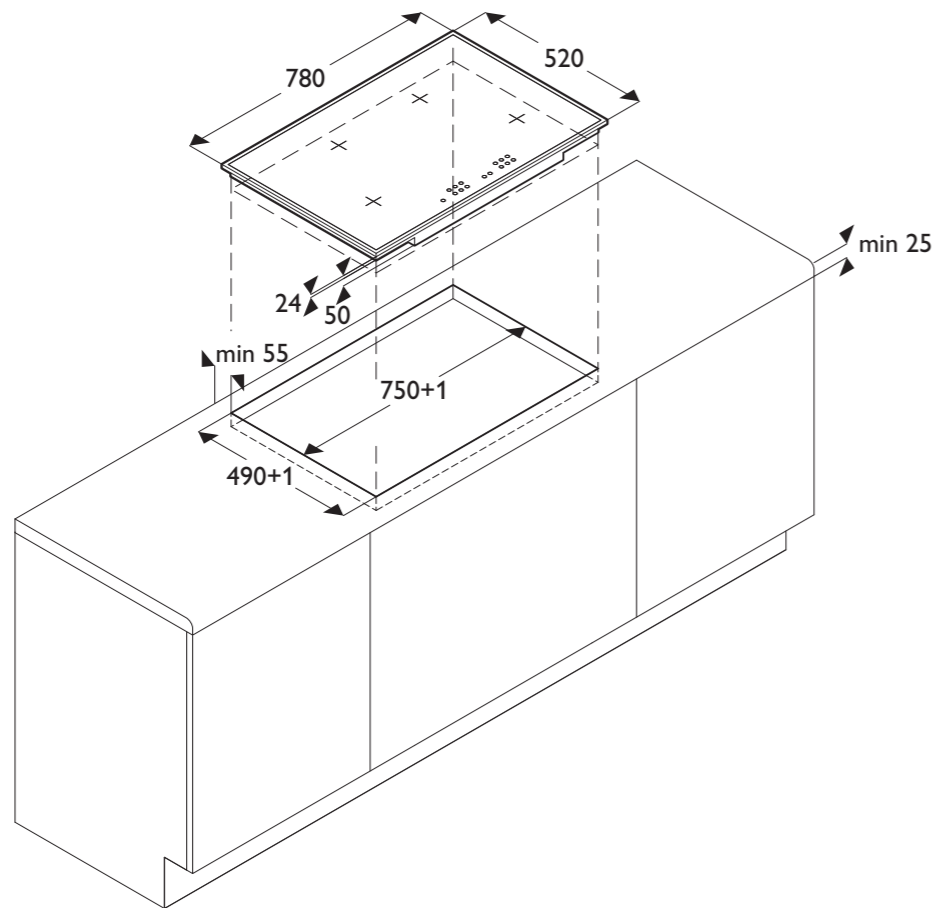
John Lewis fast-heat ceramic hob
JLBICH 605



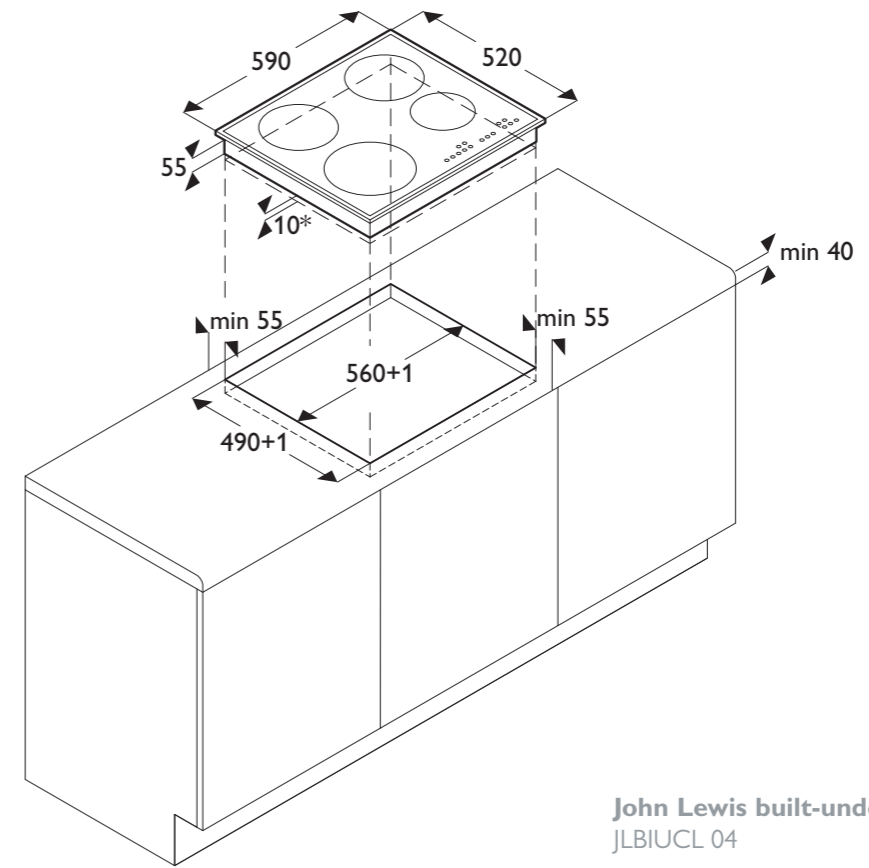
John Lewis induction ceramic hob
JLBIIH 603



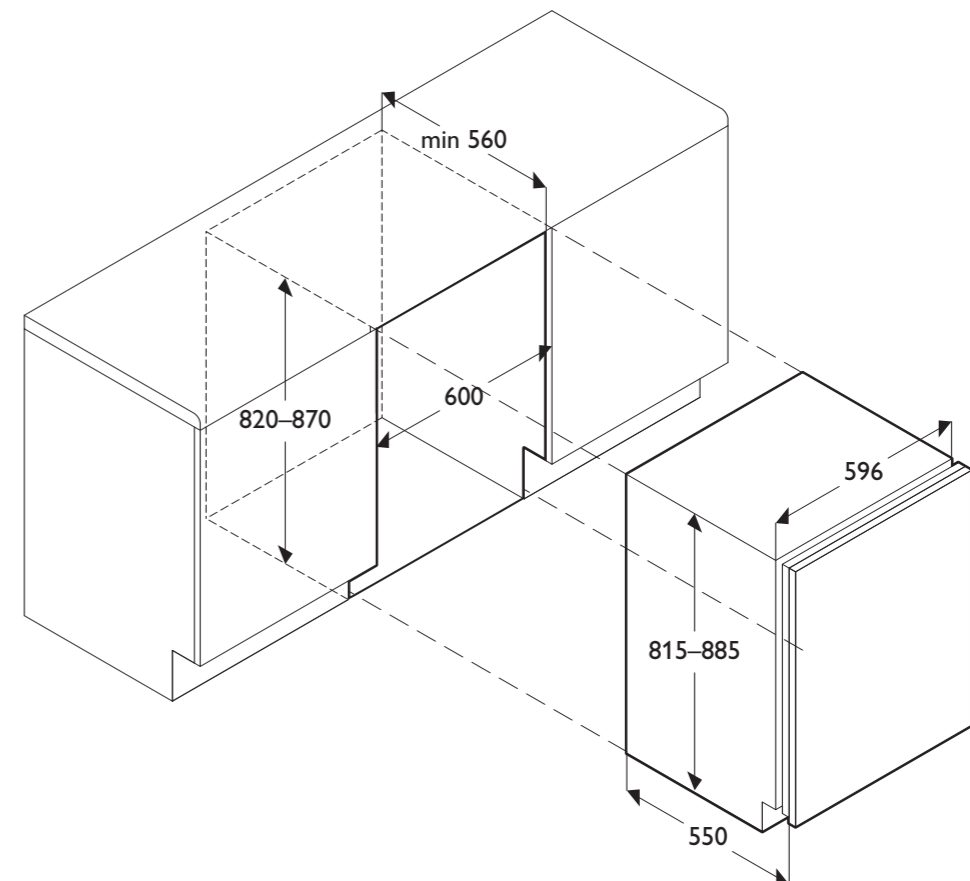
John Lewis
multi-pan induction ceramic hob
JLBIIH 804



John Lewis induction ceramic hob
JLBIIH 606

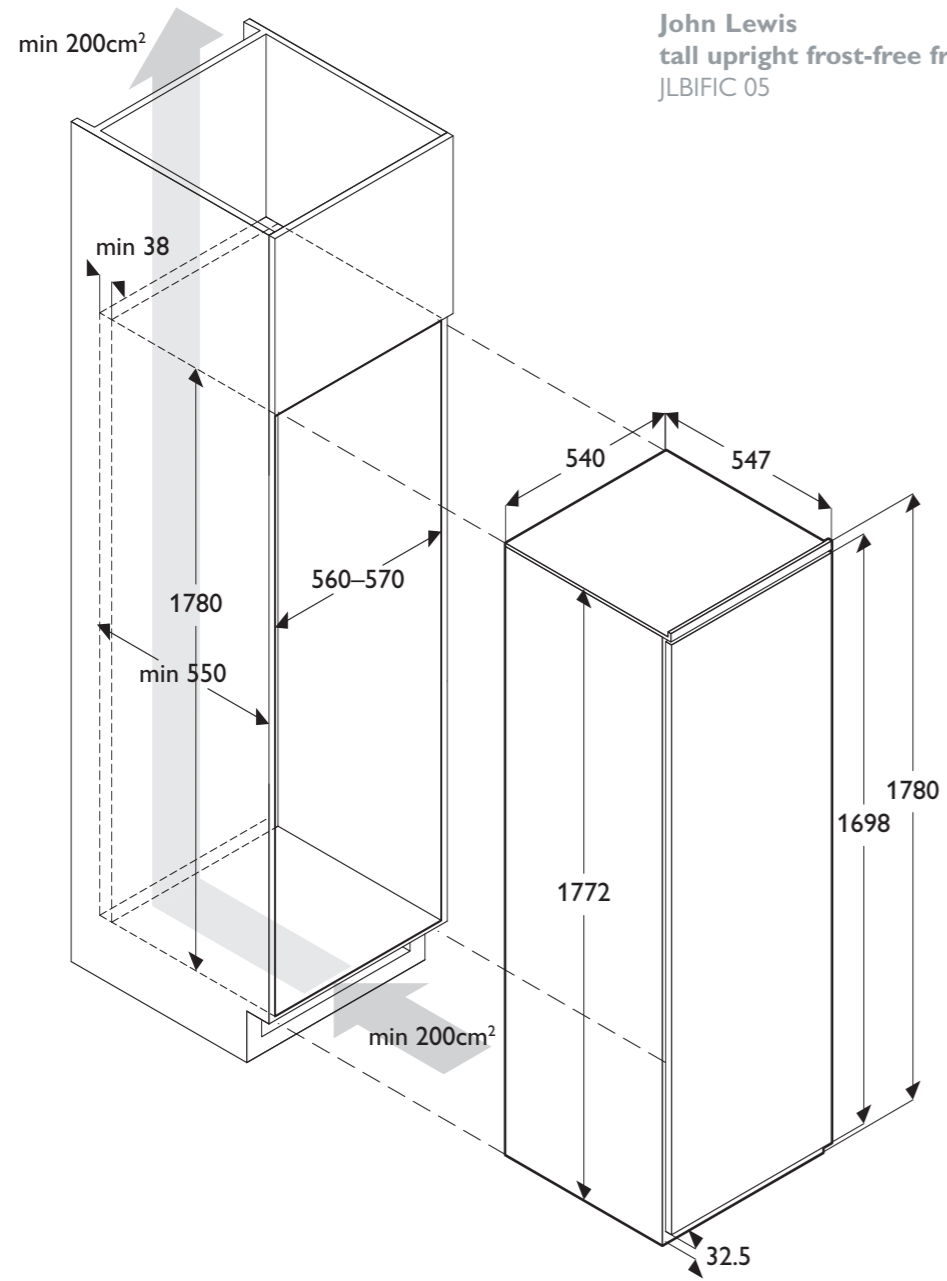


John Lewis built-under larder fridge
JLBIUCL 04
John Lewis built-under freezer
JLBIUCF 05

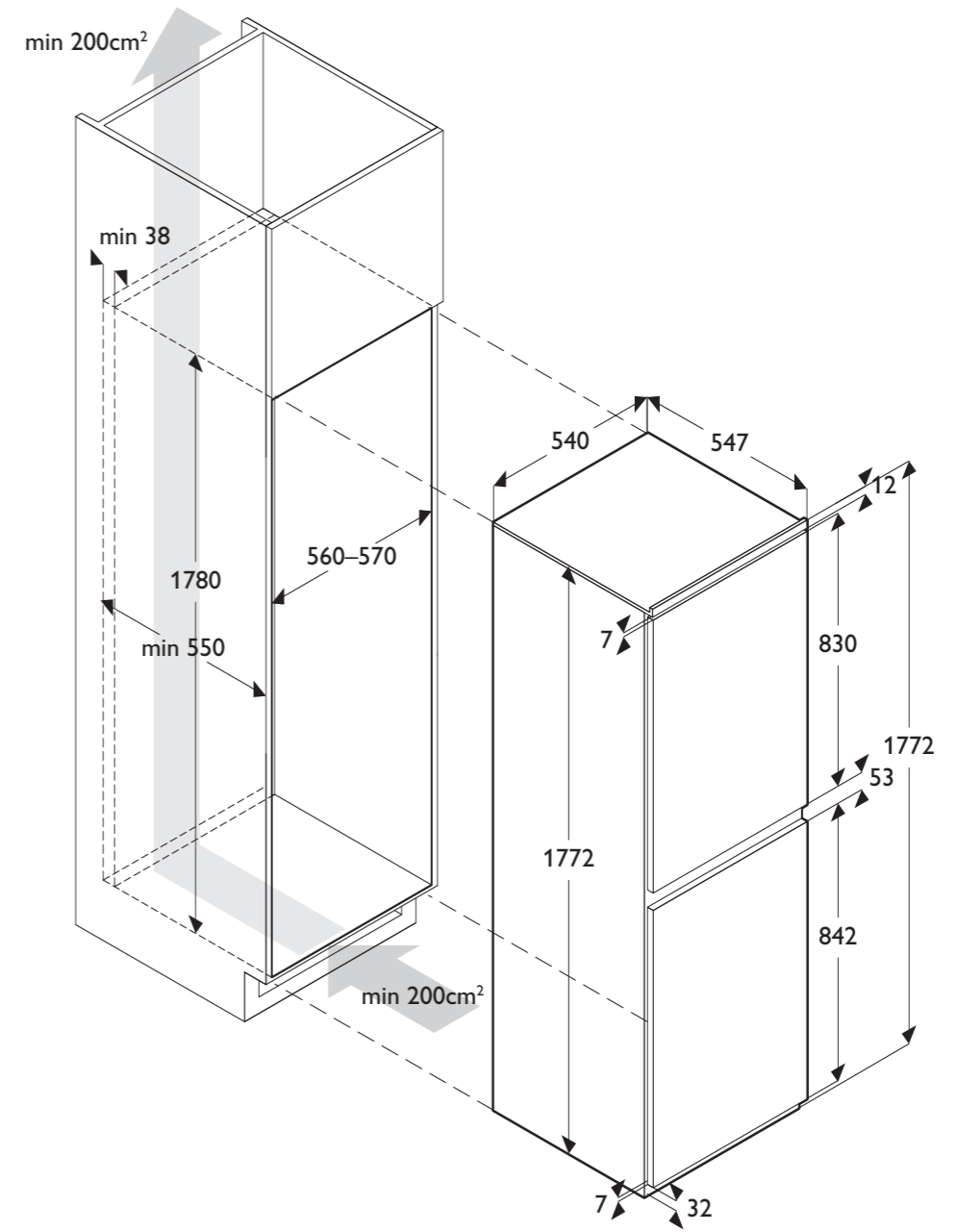


John Lewis larder fridge
JLBILIC 07

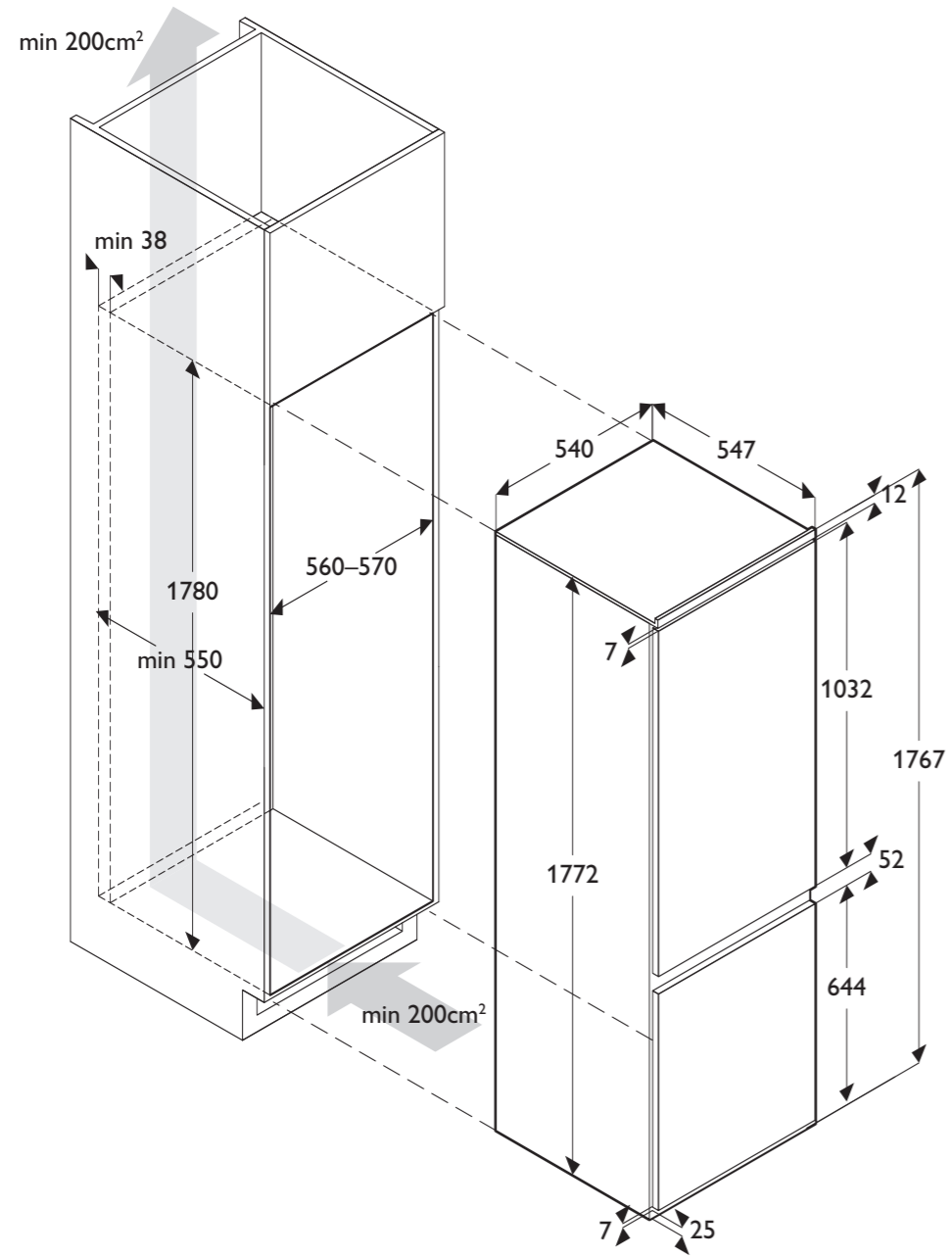
John Lewis
tall upright frost-free freezer
JLBIFIC 05



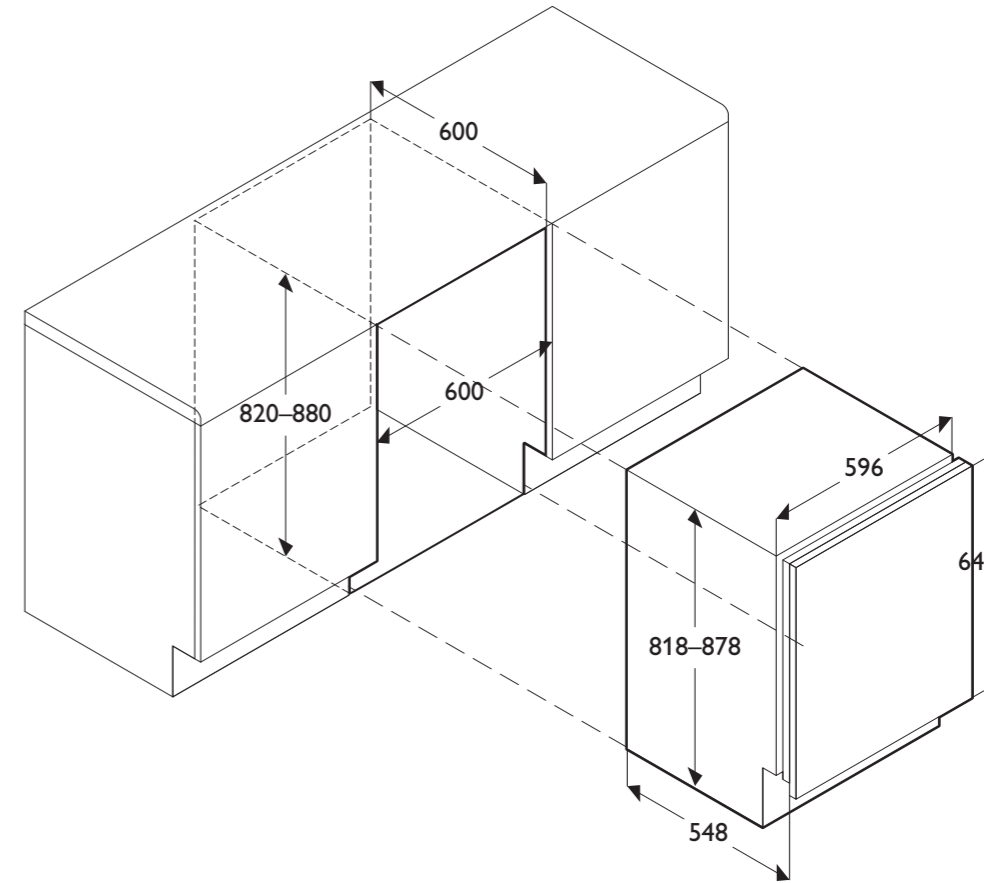
John Lewis tall fridge-freezer
JLBIFB 1808



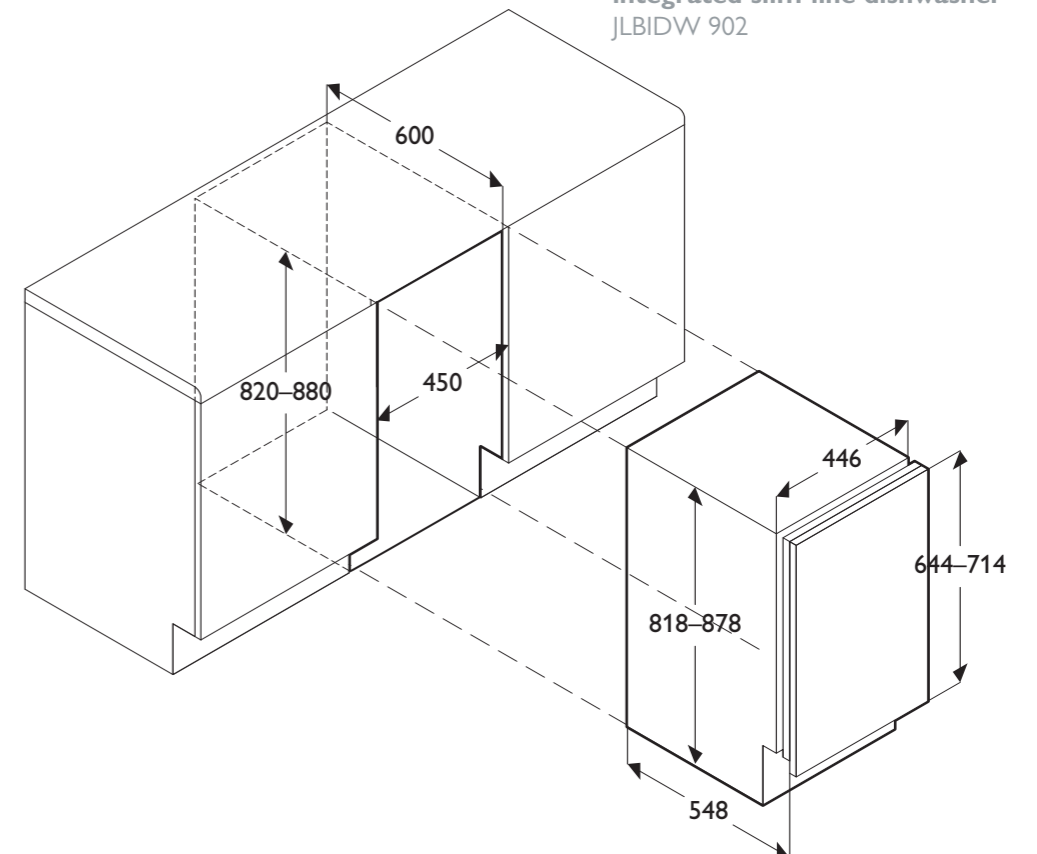
John Lewis tall fridge-freezer
JLBIF1807



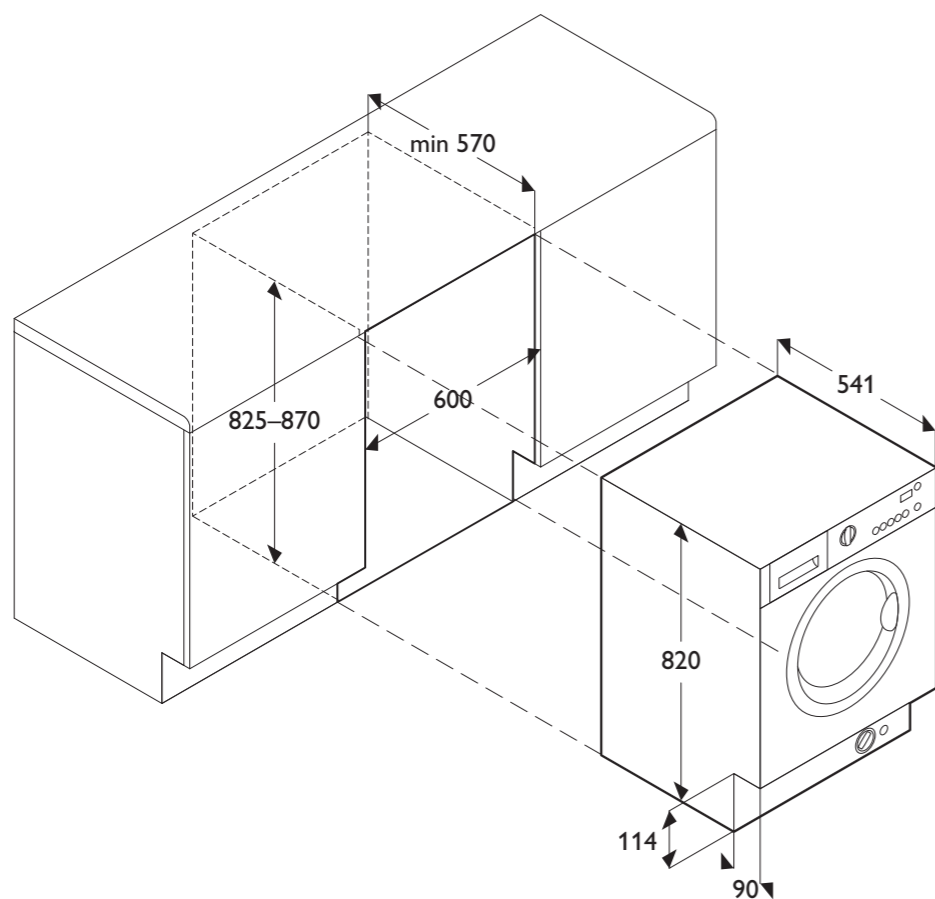
John Lewis integrated dishwasher
JLBIDW 1203



John Lewis integrated slim-line dishwasher
JLBIDW 902



John Lewis
integrated washing machine
JLBIWM 1402



Making shopping easier for you

Three ways to shop

We understand that shopping for home appliances can be a big decision, and we want your shopping experience to be as hassle-free and flexible as possible. That's why we offer three ways to shop. You can visit one of our stores, where our Partners can offer impartial advice and in-depth product knowledge, order by phone 7 days a week, or go online at johnlewis.com.

Our website offers the same level of service you'd find in our stores, as well as buying guides, and recommendations and reviews from other customers. Shopping on the go is now easier too, with a special version of johnlewis.com for your mobile.

Whichever way suits you best, you can enjoy free standard delivery on orders over £30, and choose from a range of other convenient delivery options, including named day and weekday evening.

Experts on hand

Once you've chosen your new appliance, we can also offer a range of product services to help get it up and running. Our experts can install your new appliance, reverse fridge doors and even take away your old appliance to be recycled or reused. For more details and prices, go to www.johnlewis.com/installation

And if you're looking to plan your dream kitchen, our fitted kitchen service offers a range of stylish solutions for a range of budgets, all boasting a high level of craftsmanship and attention to detail. To see the range and find out more speak to one of our Partners in store, or go online.

Never Knowingly Undersold

It's a promise that began 80 years ago, and it's still going strong today. To us, value means much more than being competitive. It's about all those extras that are worth a lot, like impartial advice, or feeling confident that the product you've just bought will last. So whether you're shopping online or in store, you can always count on our fair prices, quality products and excellent service.

You can read the full Never Knowingly Undersold policy online, or pick up a leaflet in our stores.

Guarantees

Our guarantees ensure that our service doesn't end with your purchase. All our own brand home appliances come with the peace of mind of a three-year guarantee, (microwaves two-year) at no extra cost. You can also buy a John Lewis Home Appliance Plan to include potential repair costs that occur once the guarantee has expired.

You can buy a Plan from us when you purchase your item, or if you prefer you can wait and buy it within 30 days of your purchase. To find out more, please visit your local store and pick up the relevant plan leaflet or talk to one of our Partners. You'll also find more information at www.johnlewis.com/serviceplan or by calling us on 0844 871 7771.

Guarantee

Three-year service guarantee

All John Lewis appliances are covered by our three-year guarantee (microwaves two-year), provided at no extra cost. This provides you with a repair service in the event of a breakdown of any mechanical parts of your product. This does not affect your statutory rights.

We provide the repair service without charge, up to a cost equal to the original purchase price paid for the product. All repair services are carried out by authorised service technicians.

If we can't repair your item, we'll replace it with an item of equivalent specification. If no equivalent product is available we'll discuss an alternative settlement with you, and we'll always do our best to make sure you are satisfied with the outcome.

During your guarantee period should you have any questions, please contact your local John Lewis store and to talk to one of our Partners.

Delivery and Installation

On home appliances we offer free delivery within a wide delivery area when you purchase in store and online.

Timed deliveries, installation and disposal services are available at an additional charge. You can find out more by contacting your local store or visiting www.johnlewis.com/installation

Shopping is easy with John Lewis

Shops

John Lewis, Aberdeen AB25 1BW	01224 625000
John Lewis, Bluewater DA9 9SA	01322 624123
John Lewis, Brent Cross NW4 3FL	020 8202 6535
John Lewis, Cambridge CB2 3DS	01223 361292
John Lewis, Cardiff CF10 1EG	0292 053 6000
John Lewis, Cheadle SK8 3BZ	0161 491 4914
John Lewis, Cribbs Causeway BS34 5QU	0117 959 1100
John Lewis, Edinburgh EH1 3SP	0131 556 9121
John Lewis, Exeter EX4 6NN	0844 6931708
John Lewis, Glasgow G1 2GF	0141 353 6677
John Lewis, High Wycombe HP12 4NW	01494 462666
John Lewis, Kingston KT1 1TE	020 8547 3000
John Lewis, Leicester LE1 4SA	0116 242 5777
John Lewis, Liverpool L1 8BJ	0151 709 7070
John Lewis, Milton Keynes MK9 3EP	01908 679171
John Lewis, Newcastle upon Tyne NE99 1AB	0191 232 5000
John Lewis, Norwich NR1 3LX	01603 660021
John Lewis, Nottingham NG1 3QA	0115 941 8282

John Lewis, Oxford Street W1A 1EX	020 7629 7711
John Lewis, Peterborough PE1 1NL	01733 344644
John Lewis, Reading RG1 2BB	0118 957 5955
John Lewis, Sheffield S1 1EP	0114 276 8511
Peter Jones, Sloane Square SW1W 8EL	020 7730 3434
John Lewis, Solihull B91 3RA	0121 704 1121
John Lewis, Southampton SO15 1QA	02380 216400
Knight & Lee, Southsea PO5 3QE	02392 827511
John Lewis, Stratford E20 1EL	020 8532 3500
John Lewis, The Trafford Centre M17 8JL	0161 491 4040
John Lewis, Watford WD17 2TW	01923 244266
John Lewis, Welwyn AL8 6TP	01707 323456

John Lewis at home

Ashford opening 7 November 2013

John Lewis, Chester CH1 4QQ	01244 393880
John Lewis, Chichester PO19 7YH	01243 813030
John Lewis, Croydon CR0 4XJ	020 8662 4730
John Lewis, Ipswich IP3 9SQ	0844 693 1712
John Lewis, Newbury RG14 1AY	01635 263980
John Lewis, Poole BH12 1DN	01202 756020
John Lewis, Swindon SN5 8WA	01793 733180
John Lewis, Tamworth B78 3HD	01827 300580
John Lewis, Tunbridge Wells TN2 3UP	01892 506830

Waitrose Food & Home

Canary Wharf E14 5EW	020 7719 0300
----------------------	---------------

Visit www.johnlewis.com

Payment options

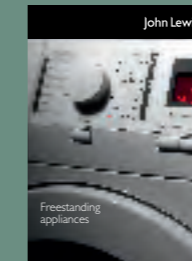
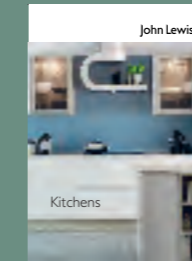


We also accept John Lewis gift vouchers.

Customer services 08456 049 049

Our Customer Service team are on hand 7 days a week, 7am to midnight, to answer any questions or queries you might have.

Please ask our store staff for our John Lewis fitted kitchens and electrical appliances brochures.



Terms and Conditions

For full Terms and Conditions Please visit our website at www.johnlewis.com and click on Customer Service. Your statutory rights are not affected.

Pricing policy We set highly competitive prices for all our products, with a dedicated team regularly checking them against other high street competitors. If we find a national high street competitor offering a better nationwide price for the same product, sold with the same service conditions, we'll lower our price to match in all our shops and on our website (johnlewis.com), including when a competitor is having a sale. Just occasionally you may find a temporary difference in price when one of our department stores is matching a local competitor. Our commitment to Never Knowingly Undersold means that whilst prices and services details are correct at the time of going to press they may change over time, prices include VAT at 20% and exclude delivery charges. Correct prices will be notified at the time of ordering, but please check www.johnlewis.com or call 08456 049 049 for our current prices. We don't expect you to find a lower price at another high street competitor for the same product, sold with the same service conditions, but if you can, we'll match the price when you purchase or refund the difference for up to 28 days after you've bought from us. *See our Never Knowingly Undersold leaflet in store or online for details. This publication supersedes all previous publications and is valid from February 2012.

Supply All products shown are subject to availability. We reserve the right to refuse to supply any individual or company. You must be over 18 years of age to order from this catalogue.

Cancellation You are entitled to cancel your order within 7 working days of receiving delivery. If you wish to cancel your order at any point please call us on 08456 049 049 between 7am and midnight, 7 days a week, or email us at customerservices@johnlewis.com. If you have already received your order and wish to return it, please refer to our refund policy (see below, or online and in our shops for full details).

Our Refund Policy

Exchanges and refunds We want you to be happy with your purchase. If you're not, just return the item with proof of purchase and we'll exchange or refund it.

Proof of purchase If you want a refund but don't have your original till or gift receipt, your order confirmation or delivery note, we will give you gift vouchers to the value of the current selling price.

Condition of returns It is important that returned items are in the best possible condition, so please take reasonable care of them.

Delivery charges We will refund any delivery charges shown on your proof of purchase, provided you return the full order. Please see online for our full refund policy covering all items sold by John Lewis Direct.

None of the above conditions affect your statutory rights when goods are faulty, or not as described. For your rights of cancellation under the Consumer Protection Distance Selling Regulations please see online for terms and conditions.

Our details For Customer Services, please call 08456 049 049, 7am to midnight, 7 days a week.

Email us at customerservices@johnlewis.com

Write to:

John Lewis Direct, PO Box 19615, Erskine PA8 6WU
Our registered office is: John Lewis PLC, 171 Victoria Street, London SW1E 5NN. Registered in England No. 233462.
VAT No. GB232457280

Accuracy We take all reasonable care to ensure that all details, descriptions and prices of products appearing in this brochure are correct. We reserve the right to amend these. We take all reasonable care to ensure colours are accurate, however the limitations of print production may mean slight variation. All sizes are approximate.

© John Lewis 2012