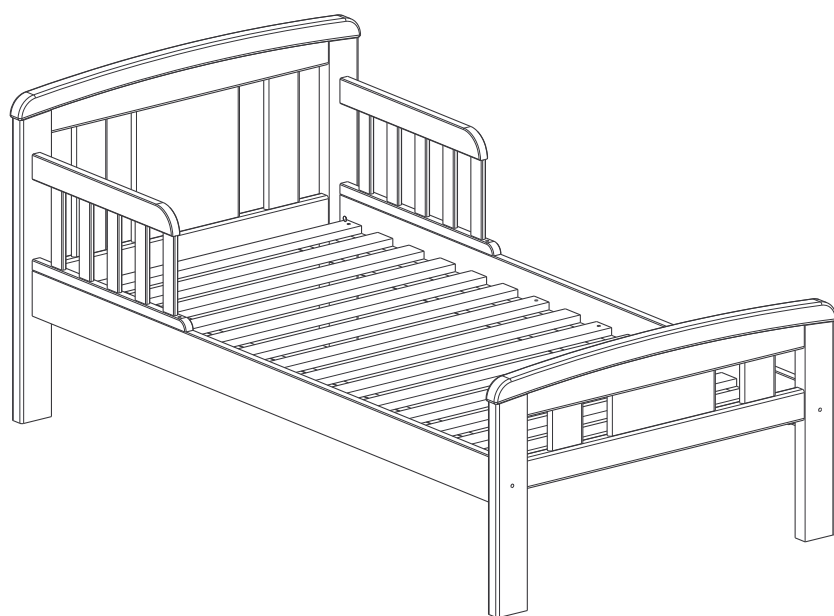


Boris toddler bed

Instruction manual



John Lewis

**IMPORTANT!
KEEP FOR FUTURE REFERENCE**

Thank you for purchasing this Boris toddler bed. Please read the instructions and warnings carefully before use to ensure safe and satisfactory operation of this product.

Your child's safety is your responsibility. If you have a query with this product or require replacement parts, please contact your nearest John Lewis department store.

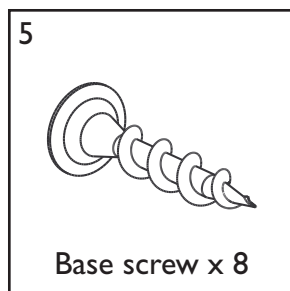
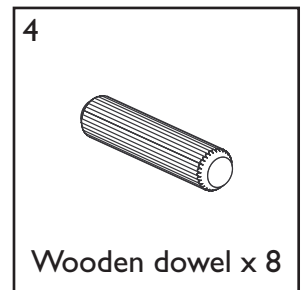
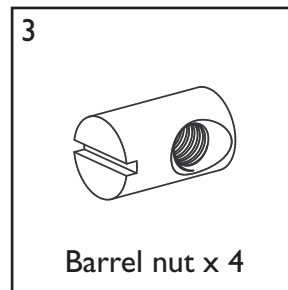
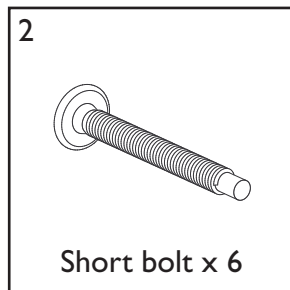
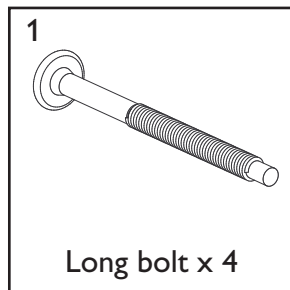
Lay out the parts on a soft level surface and compare to the part/fixings checklist on page 2. Do not discard any packaging until you are sure that you have all the parts.

Keep children clear during assembly as pack contains small parts which may present a choking hazard.

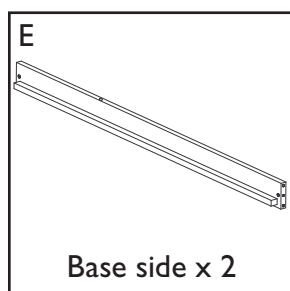
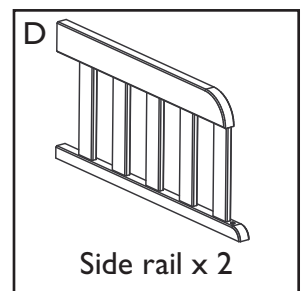
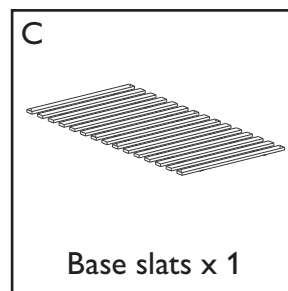
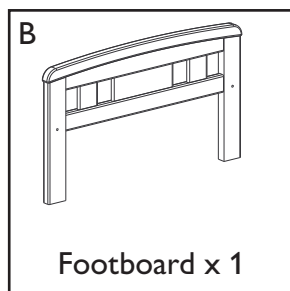
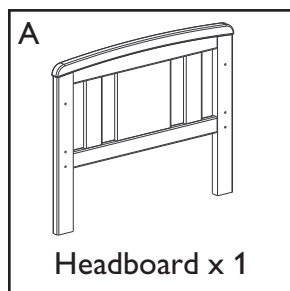
Recommended mattress: 70 x 140cm

This product complies with BS 8509: 2008

Fixings



Parts



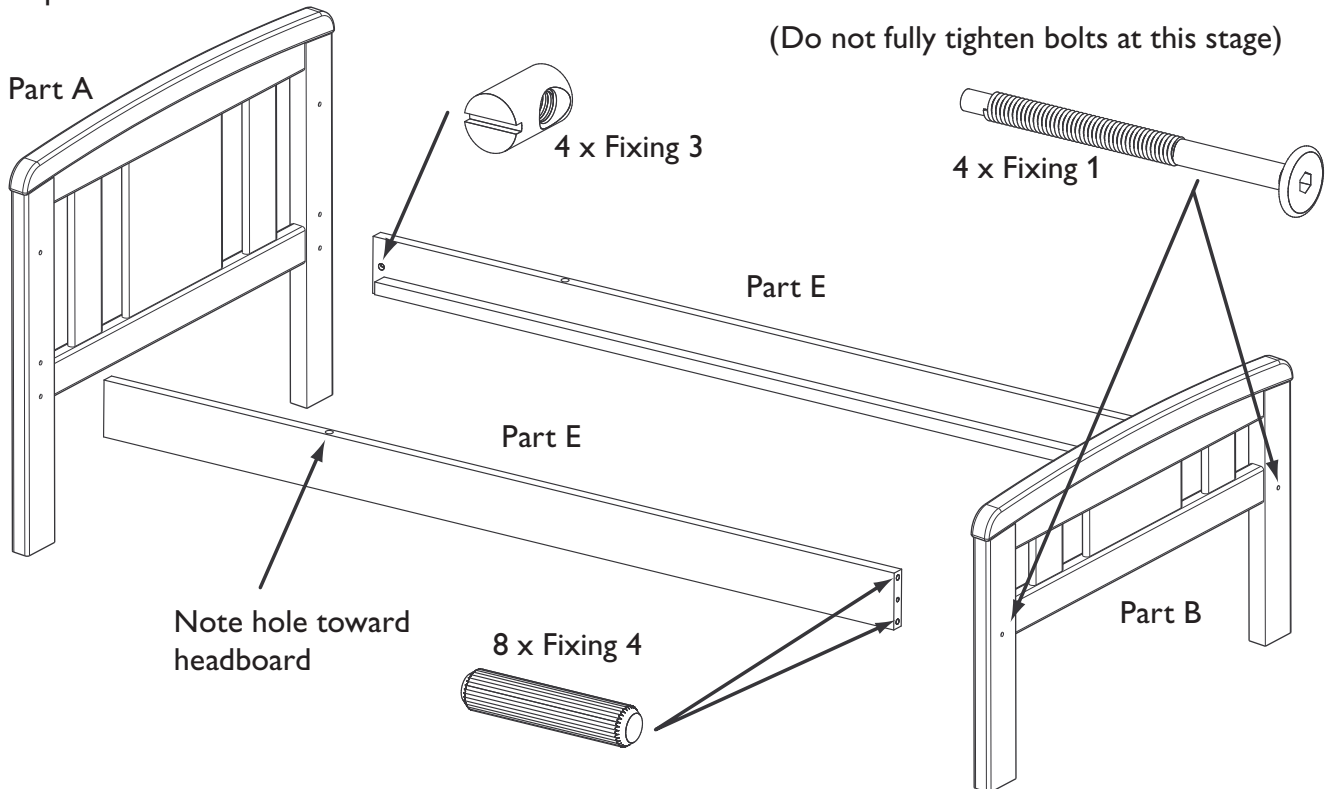
You will need:

1 x 6mm Allen Key (supplied)

Flat-headed screwdriver

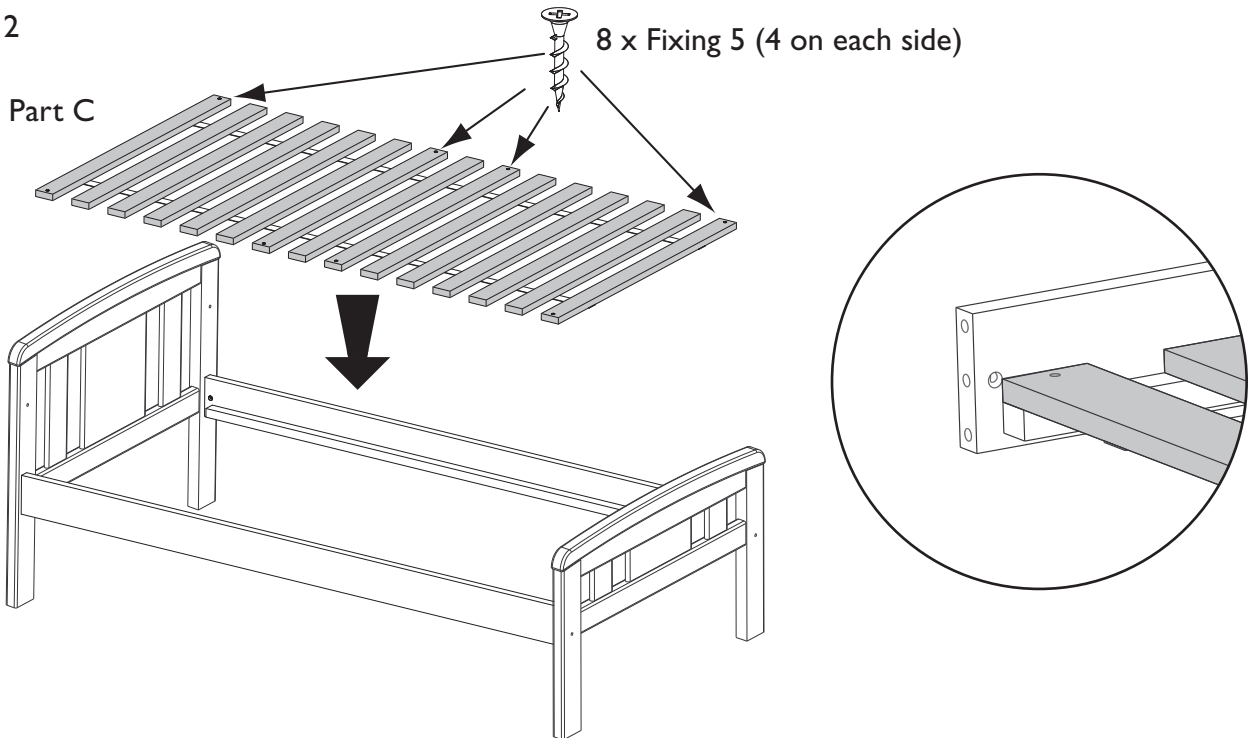
Cross-headed screwdriver

Step 1



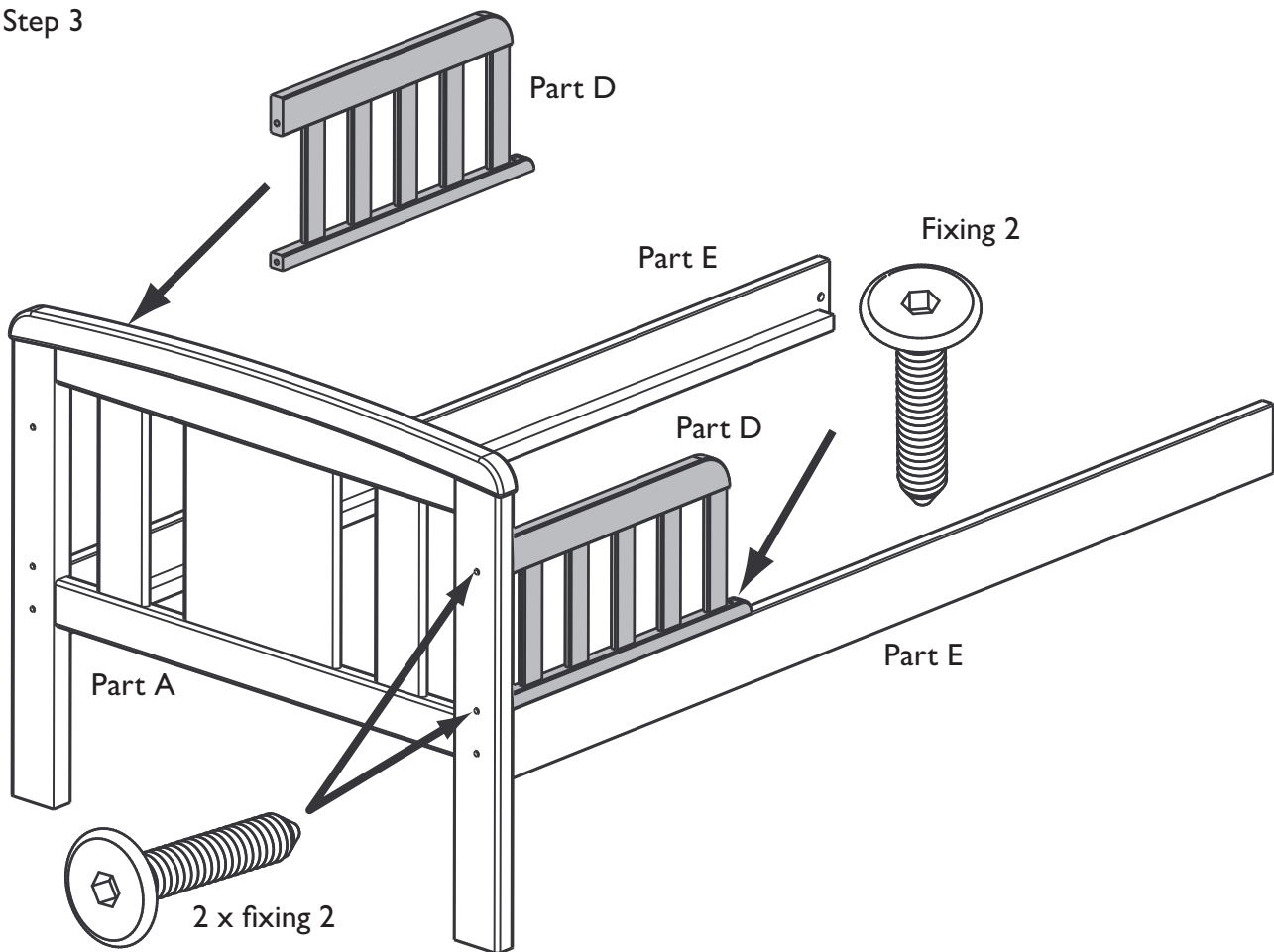
Push four barrel nuts (fixing 3) into the holes in the base sides (part E) as shown above. Make sure that the slots are visible and, if necessary, use a flat-headed screwdriver to ensure that the slots point towards the holes in the ends as shown. Insert a wooden dowel (fixing 4) into each of the upper and lower holes in the base sides. Attach the headboard (part A) and footboard (part B) using four long bolts (fixing 1).

Step 2



Lay the base slats (part E) on the ledge on the inside of the base sides so that the end slat is level with the end of the ledge as shown. Secure this slat to the base sides using two of the base screws (fixing 5). Move the other end slat toward the footboard as far as the fabric straps will allow and secure this with two more base screws (fixing 5). Finally, secure the two centre slats using four base screws (fixing 5). Once the base slats have been fitted, they should not be removed.

Step 3



To complete assembly, fit the side rails (part D) to the headboard (part A) and base sides (part E) of the bed. Secure each side rail with three short bolts (fixing 2) as shown.

Ensure all fixings are tightened properly before use.

Care and maintenance

Your furniture may be cleaned by wiping with a damp cloth and drying with a soft clean cloth.

Do not use abrasives, bleach, alcohol or ammonia-based household polishes.

Take care when handling or moving the furniture. Careless handling may cause damage.

Safety notes

For ages 18 months to 4 years.

Warning: Do not place this child's bed near heat sources, windows and other furniture.

Warning: Do not use this child's bed if any part is broken, torn or missing.

Complies with BS 8509: 2008.

The mattress should be no more than 30mm shorter or narrower than the internal length or width of the bed.

Furniture can be dangerous if incorrectly installed. Assembly should be carried out by a competent person.

All assembly fixings should always be tightened properly. Periodically check all fixings to ensure none have come loose, and that there is no risk of clothing or parts of the body becoming snagged or trapped.

We recommend that the slats are not removed once the bed base has been assembled.

Do not allow your child to jump on the bed. This may result in damage to the furniture and/or injury to your child.

The bed should be placed either tight against a wall or a minimum gap of 300mm should be left between the wall and the bed to avoid danger of suffocation.

Keep children clear during assembly as pack contains small parts which may present a choking hazard.

Retain this information leaflet for future reference.

John Lewis Partnership
171 Victoria Street
London
SW1E 5NN

www.johnlewis.com