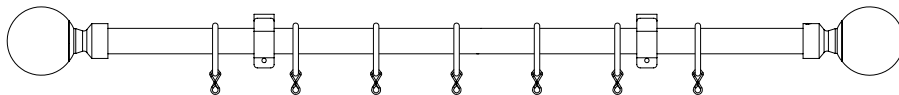


# Curtain Pole Kit

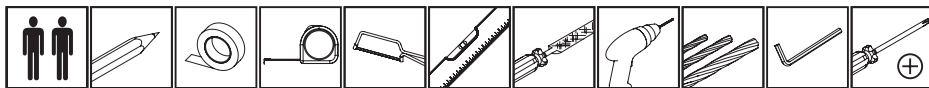
Thank you for purchasing this product. Please read the instructions carefully before use to ensure safe and satisfactory operation of this product.



## Pre-assembly preparation

Please ensure instructions are read in full before attempting to assemble this product.

## Necessary Tools



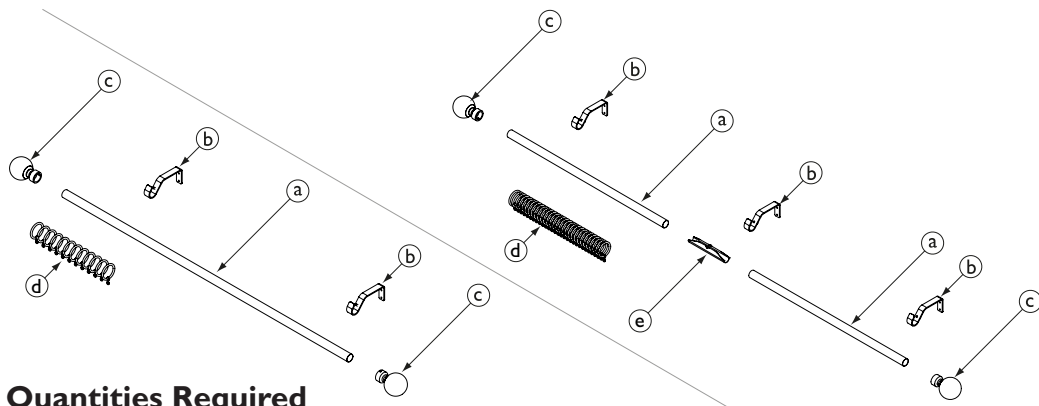
Please check the pack contents before attempting to assemble this product. A full checklist of components is given in this leaflet. If any components are missing, please contact the retailer from whom you bought this product.

This product takes approximately **30 MINUTES** to assemble with **2 PEOPLE**.

The fittings pack contains **SMALL ITEMS** which should be **KEPT AWAY FROM YOUNG CHILDREN**.

Read this leaflet in full before commencing assembly.

## Fittings and parts checklist



## Quantities Required

		Pole Length		
Part		1.2m	1.8m	3.0m
a	Pole	1	1	2
b	Brackets	2	2	3
c	Finials	2	2	2
d	Rings	12	18	30
e	Joiner	-	-	1

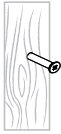
Each Bracket is supplied with  
 - 2x Screws  
 - 2x Wall plugs  
 - 1x Allen key

## Recommended Maximum curtain weights

	19mm Diameter Pole Length		
	1.2m	1.8m	3.0m
2 Brackets	8.0kg	3.6kg	n/a
3 Brackets	n/a	n/a	4.0kg

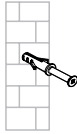
Recommended maximum curtain weight is calculated after fitting the pole to a secure wooden batten. If you are unsure if the product is suitable please ask a partner in your John Lewis store.

## Wall fixing - if in doubt seek professional advice



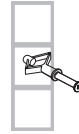
### Wood

If fixing to wood make sure that it isn't chipboard as screws can easily pull away from the core structure



### Brick or Masonry

Use an appropriate wall plug provided you are sure your wall is sound



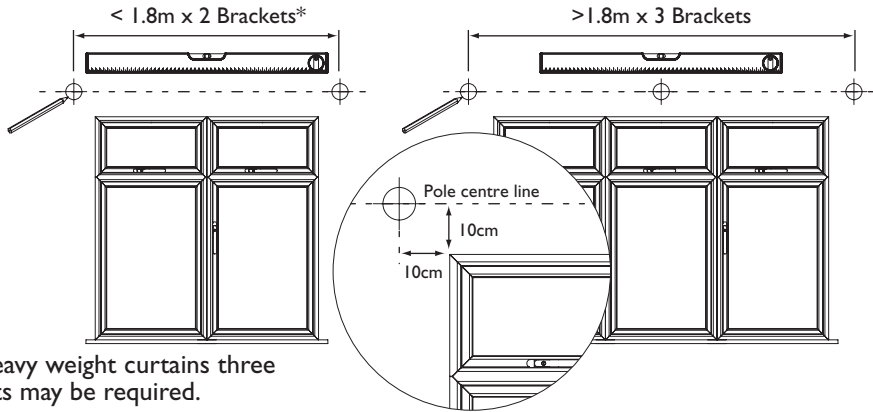
### Cavity wall

Special toggle wall plugs are needed. Seek expert advice

## Step by step assembly instructions

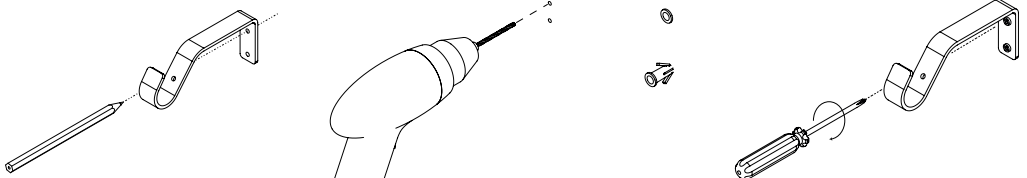
### Step One

1. Measure windows.



### Step Two

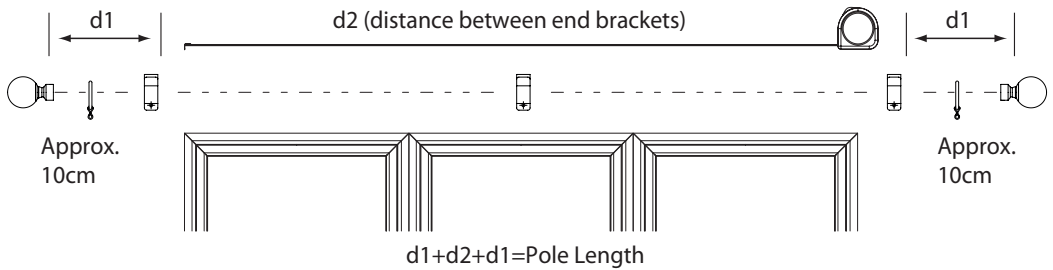
1. Use the correct wall plugs and screws for the type of wall to which you are mounting your pole. If you are unsure please consult your local builders merchant or DIY store.
2. Offer up the bracket to the wall and use as a template to mark the position of the holes, onto the wall.
3. Drill holes and fit correct plugs and screws.
4. Screw the bracket onto the wall



---

## Step Three

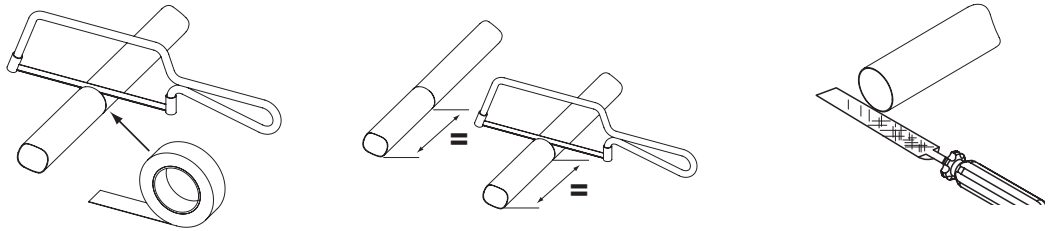
1. Calculate the length of the pole.



2. Mask area to be cut to avoid damaging pole.

3. When using two poles cut equal lengths from each pole.

4. File sharp edges to avoid injury or damage to other components.



---

## Step Four

Standard Curtains

1. Leaving 2 rings to one side, slide the remaining rings on to the pole. You will require approximately 1 ring per 10cm of pole.

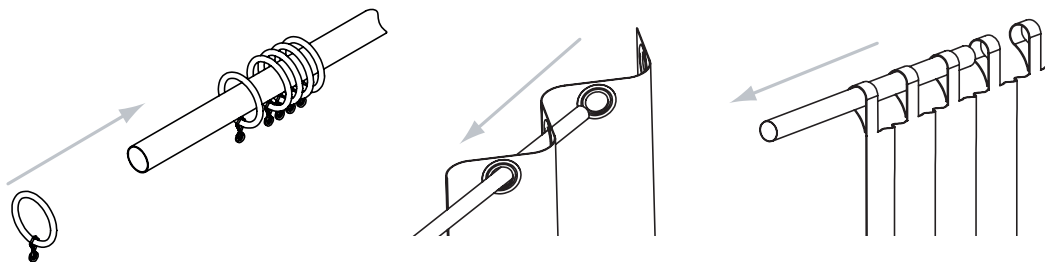
2. When using a centre bracket an equal number of rings will need to be used either side of the bracket.

Eyelet & Tab Top Curtains

1. Slide the curtain onto the pole before fitting the pole to the brackets.

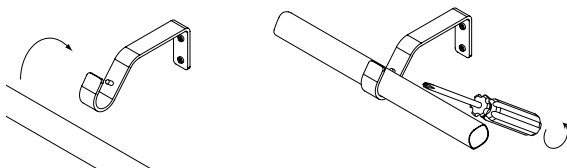
2. Leave the last eyelet or loop hanging from the end of the pole.

3. When using a centre bracket a curtain will need to be hung from each end of the pole.



## Step Five

1. Loosen the pole retainer screw.
2. Place pole in bracket.
3. When happy with placement, tighten the retaining screw until the pole is secure



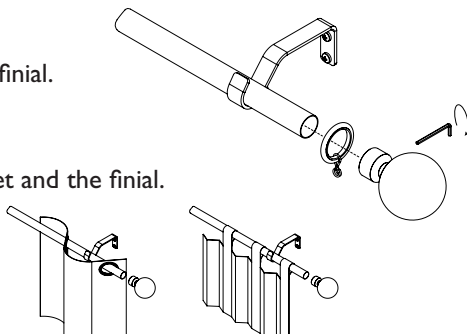
## Step Six

### Standard Curtains

1. Position one ring between the bracket and the finial.
2. Push finial onto the end of the pole.
3. Tighten the retaining screw.

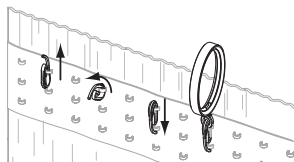
### Eyelet & Tab Top Curtains

1. Position one loop or eyelet between the bracket and the finial.
2. Push finial onto the end of the pole.
3. Tighten the retaining screw if applicable.



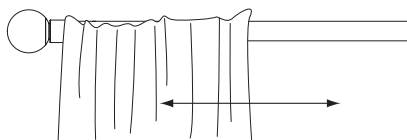
## Step Seven

1. Equally space curtain hooks along curtain header, you will require one hook for every ring.
2. Place hooks through the eyelet on the ring.



## Step Eight

1. Test the installation by drawing the curtains across the pole.



## Safety Instructions

**Only use a Step Ladder to install this product.**

**Do Not over reach. Always move the Step Ladder so that you are in a safe working position.**

**Do Not hold or lean on the track to support your weight.**

**We recommend you use two people for installation of larger tracks.**

**Take care when using power tools, use of a Residual Current Device (RCD) is recommended.**

**Always use eye protection when drilling.**

**Beware of hidden pipe runs and cables.**

**No liability will be accepted for damage or injury caused by incorrectly installed or assembled furniture.**

**PLEASE KEEP OUT OF THE REACH OF YOUNG CHILDREN.**

**SMALL PARTS - CHOKING HAZARD**

**PLEASE KEEP THESE INSTRUCTIONS FOR FUTURE REFERENCE**

**PLEASE KEEP THE BATCH CODE ON THE PACKAGING FOR FUTURE REFERENCE IF ANY QUERIES**