

John Lewis

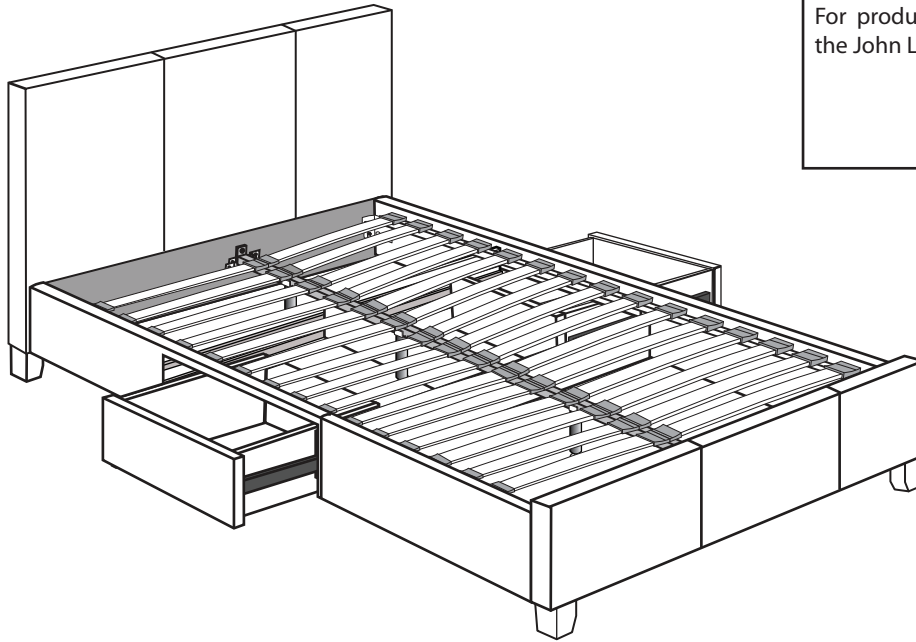
Genoa 2 Drawer Storage Bed

Double
King size

Stock Code: 810/84001

Stock Code: 810/84002

Thank you for purchasing this Genoa 2 drawer storage Bed. Please read the instructions carefully before use to ensure safe and satisfactory operation of this product.



For product support or spare parts please call the John Lewis Helpline;

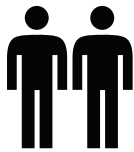
T: 01244 689949

E: mail@fwgroup-uk.com

PRE-ASSEMBLY PREPARATION

Please ensure instructions are read in full before attempting to assemble this product.

Necessary Tools



Please check the pack contents before attempting to assemble this product. A full checklist of components is given in this leaflet. If any components are missing, please contact your the John Lewis Helpline.

This product is **HEAVY**, it should be assembled as near as possible to the point of use. **TAKE CARE WHEN LIFTING** to avoid personal injury and (or) damage to the product.


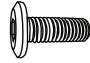

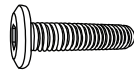
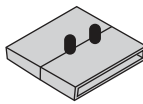
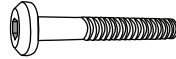
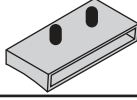



This product takes approximately **90 MINUTES** to assemble with **2 PEOPLE**.

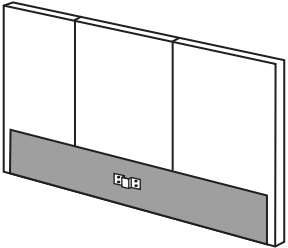
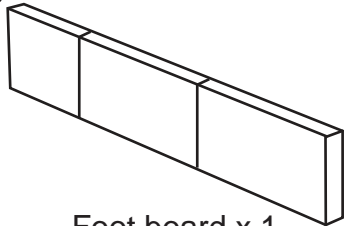
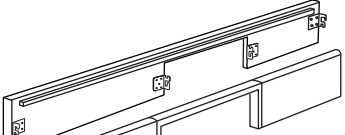
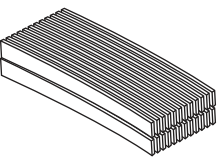
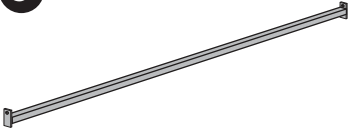
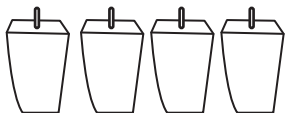
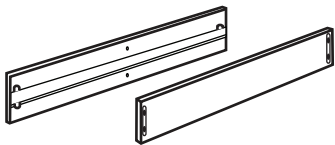

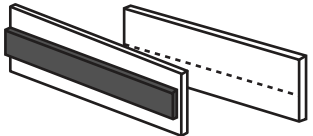
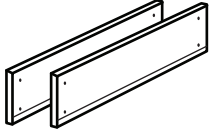
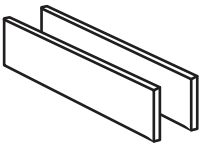
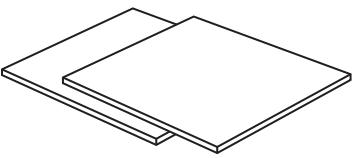
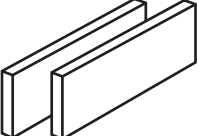
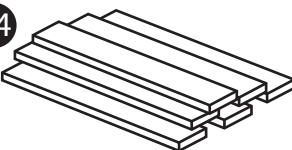
The fittings pack contains **SMALL ITEMS** which should be **KEPT AWAY FROM YOUNG CHILDREN**.

Read this leaflet in full before commencing assembly.

If you require any additional information or have any issues with this product please call the John Lewis Helpline on 01244 689949 or email mail@fwgroup-uk.com

Fitting and parts checklist

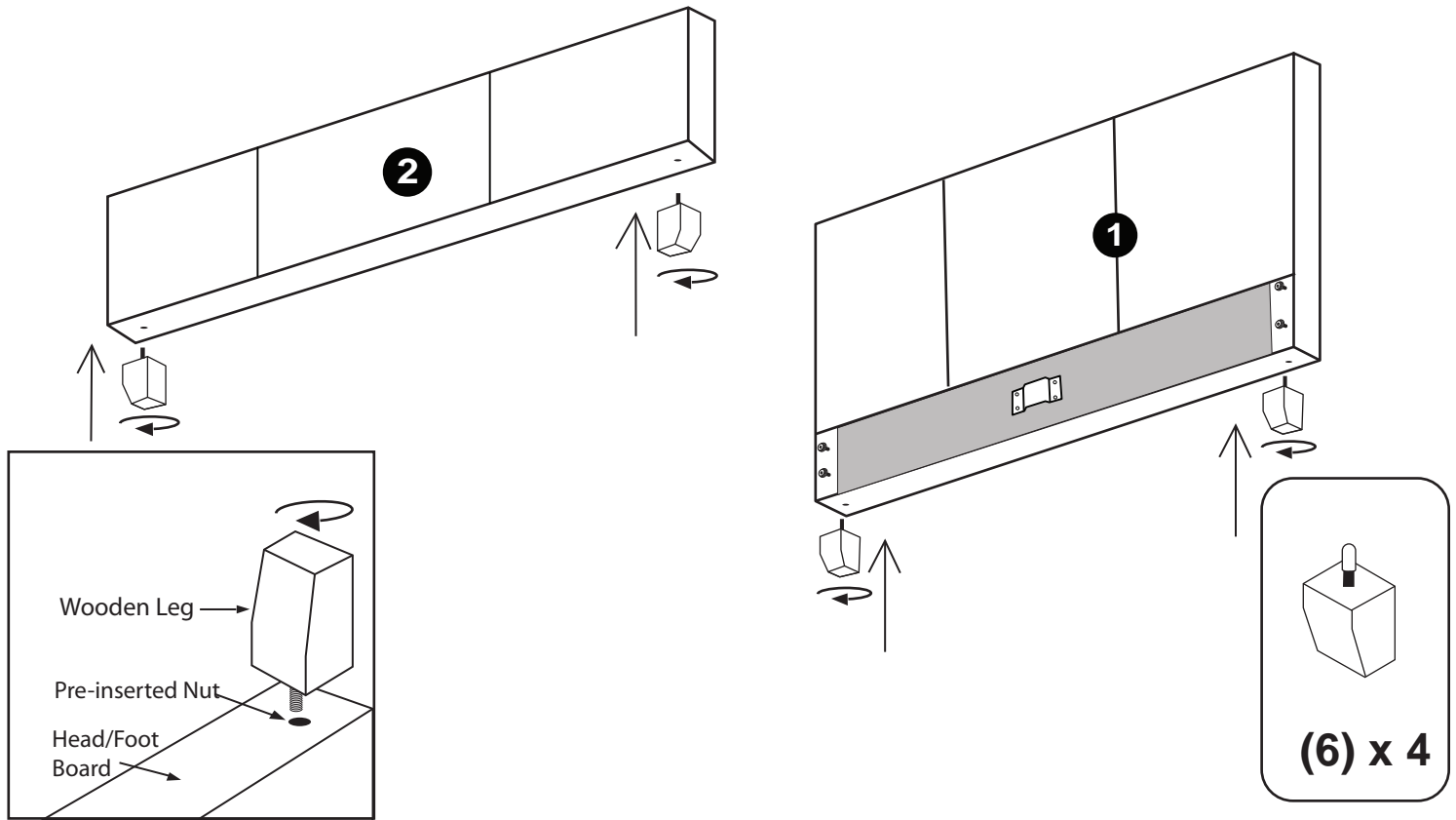
A	M4 ALLEN KEY x 1		F		M8 X 16mm Bolt x 8
B	M5 ALLEN KEY x 1		G		M6 X 25mm Bolt x 2
C	Centre Plastic Cap x 15		H		M6 X 40mm Bolt x 8
D	Side Plastic Clip x 30		I		Screw 3.5 x 40x 4
E	Spring Washer M8 x 8		J		Screw 3.5 x 30 x 40

1	 Headboard x 1	2	 Foot board x 1	3	 Side Rail x 2
4	 Slats x 30	5	 Centre Rail X1	6	 Wooden Leg x 4
7	 Bottom Support x 2	8	 Centre Support x 1	9	 Drawer Side x 4
10	 Drawer Back x 2	11	 Drawer Front x 2	12	 Drawer Bottom x 2
13	 Drawer Panel x 2	14	 Drawer Support x 6		

Step by step assembly instructions

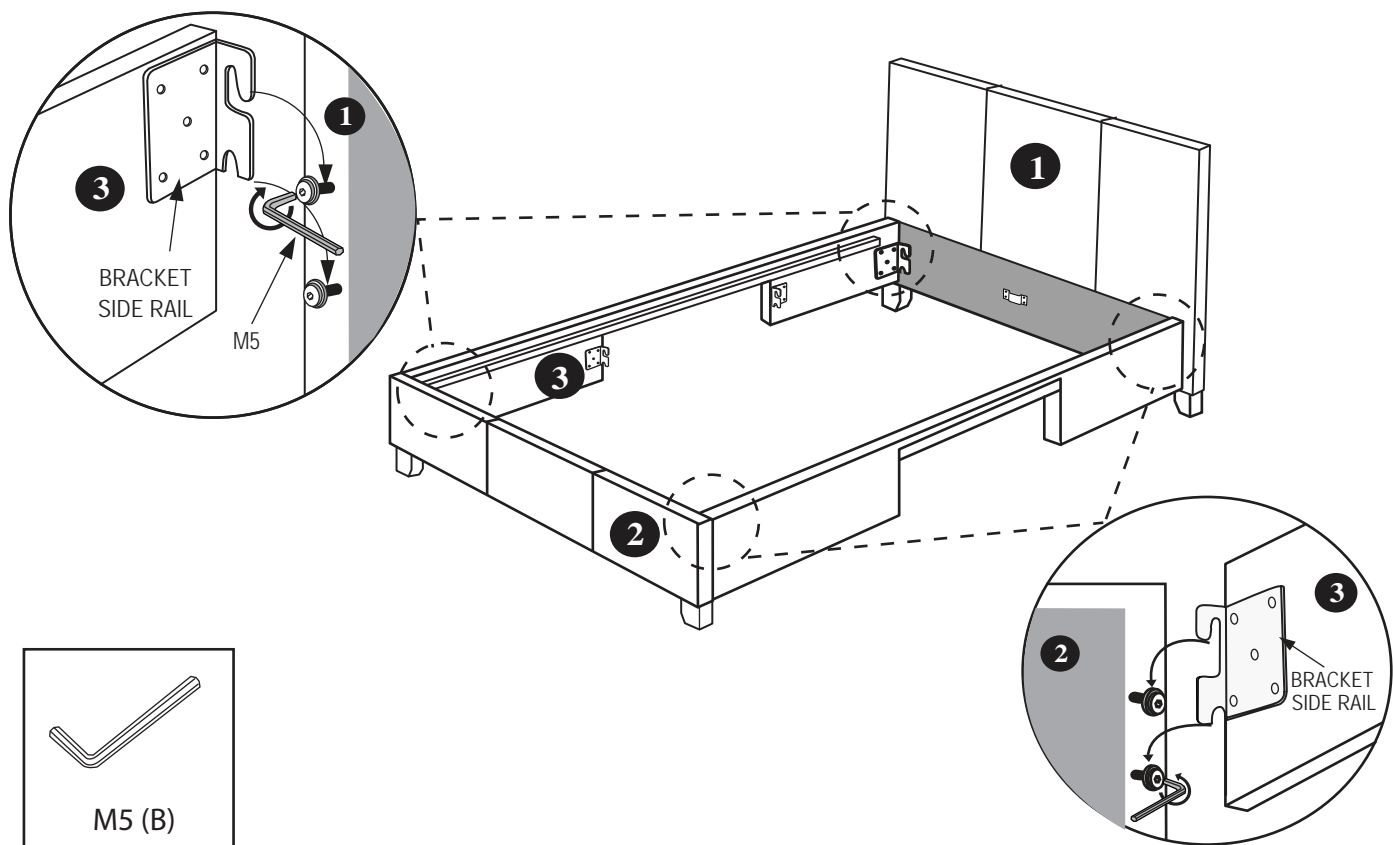
Step One

Remove the plastic cap from the wooden legs and attach them to the headboard (1) and foot board (2) by screwing in to the pre inserted nut's as shown in the diagram below.



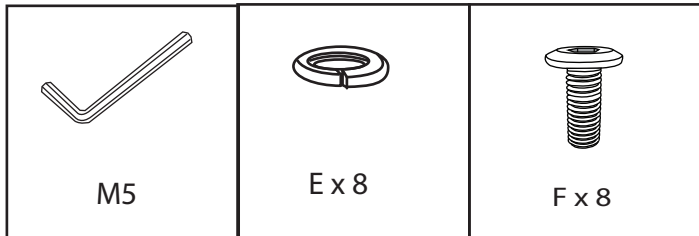
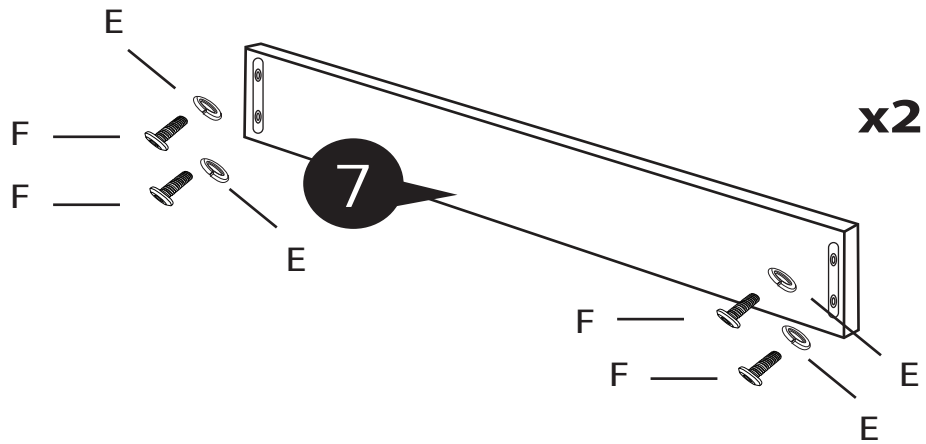
Step Two

Hook the pre attached brackets on the side rails over the pre inserted bolts in the head and foot board. Tighten the bolts using allen key M5 (B), as shown in the diagram below.



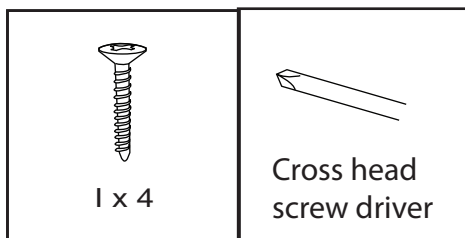
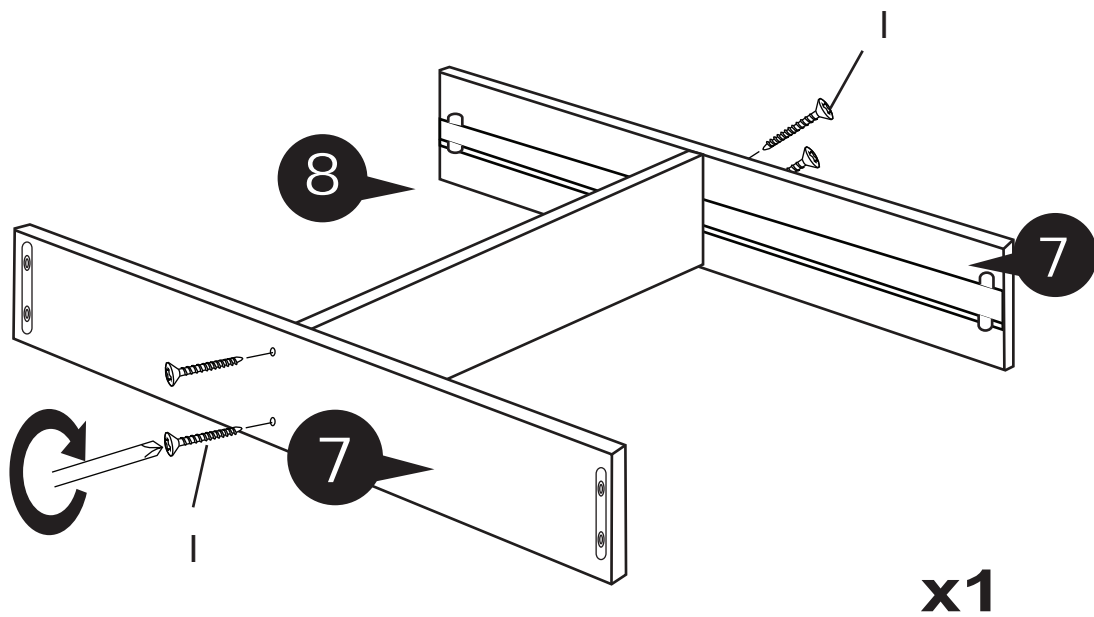
Step Three

Attach washer (E) and bolt (F) into the metal fixings on to both bottom supports (7). Do not fully tighten.



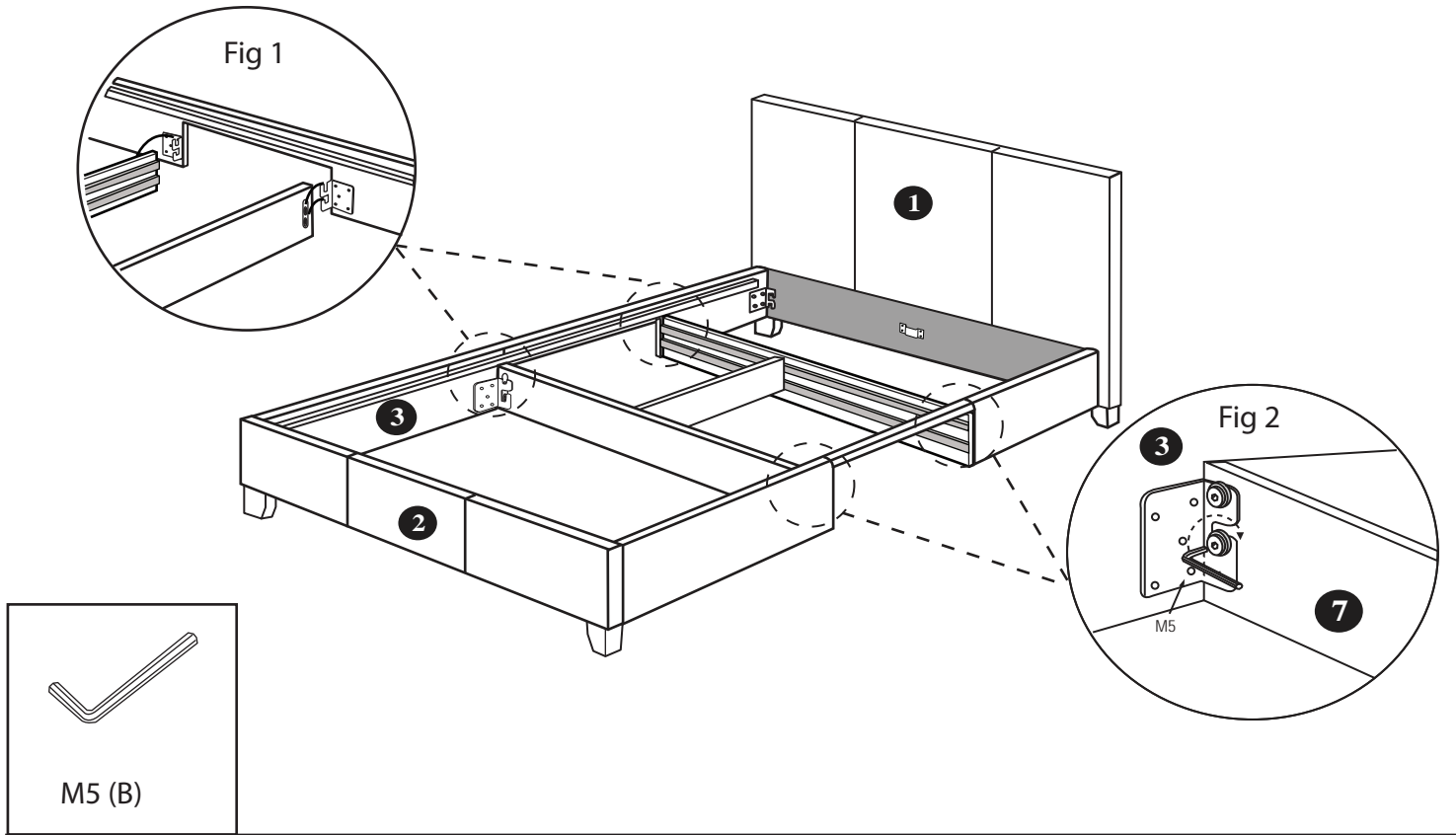
Step Four

Attach bottom supports (7) to centre support (8) and secure in to place using screws (I) as shown in the diagram below.



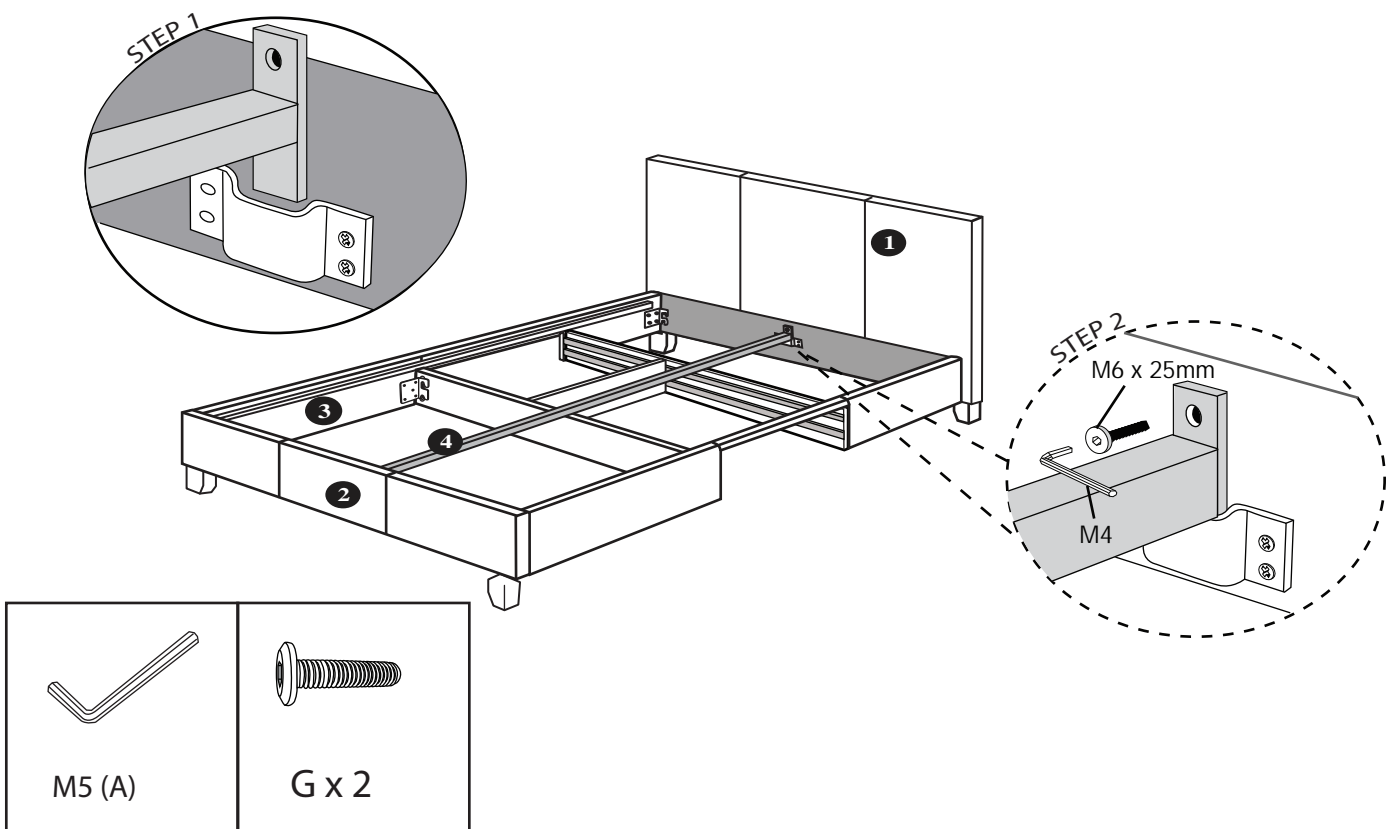
Step Five

Insert the inner frame from step four inside the bed frame as shown below. Secure in to place by hooking the bolts on the inner frame on to the brackets on the side rails, as shown in fig 1. Tighten using allen key (B) as shown in fig 2.



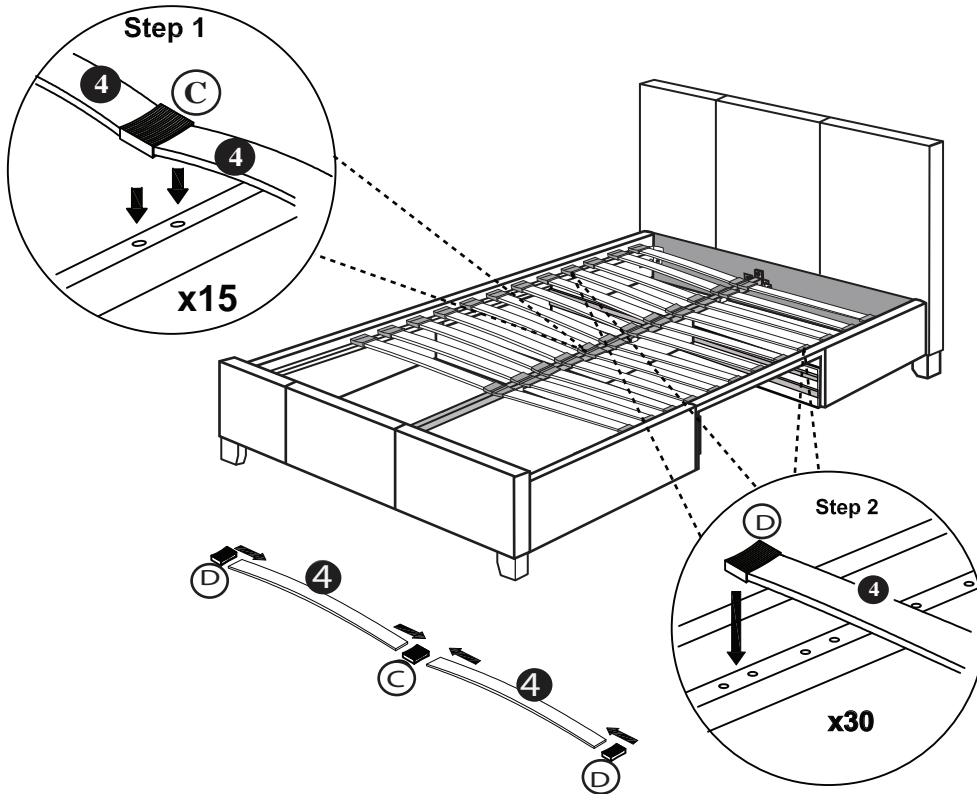
Step Six

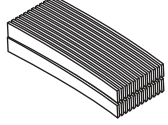
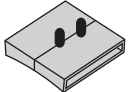
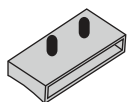
Insert centre rail (5) into the brackets on the Headboard (1) and foot board (2). Push down fully and secure in place using bolt (G). Tighten using allen key M4 (A)



Step Seven

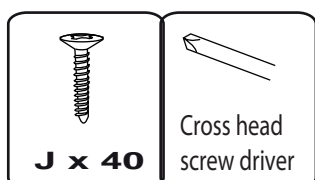
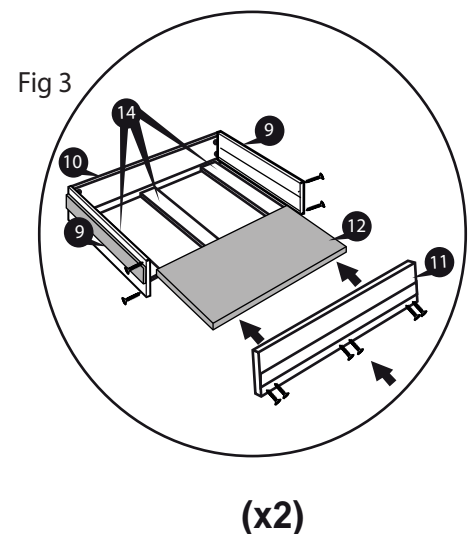
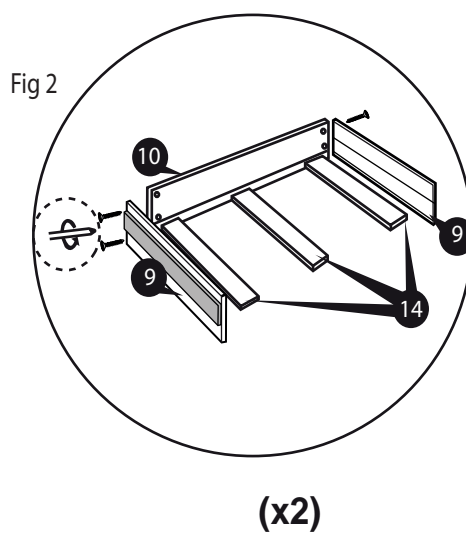
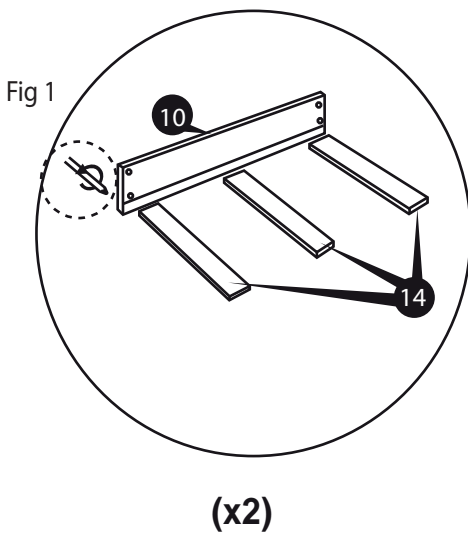
Insert 2 slats (4) into a centre clip (C) followed by a side plastic cap (D) on to the other end of both slats. The centre clip is attached to the centre rail on the bed and the side plastic clip is attached to the side rails as shown in the diagram below.



4.	 Bent slat (30pcs)
C.	 Centre plastic clip (15 pcs)
D.	 Side plastic cap (30 pcs)

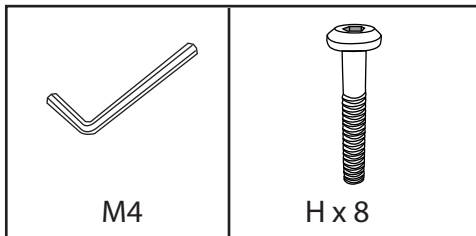
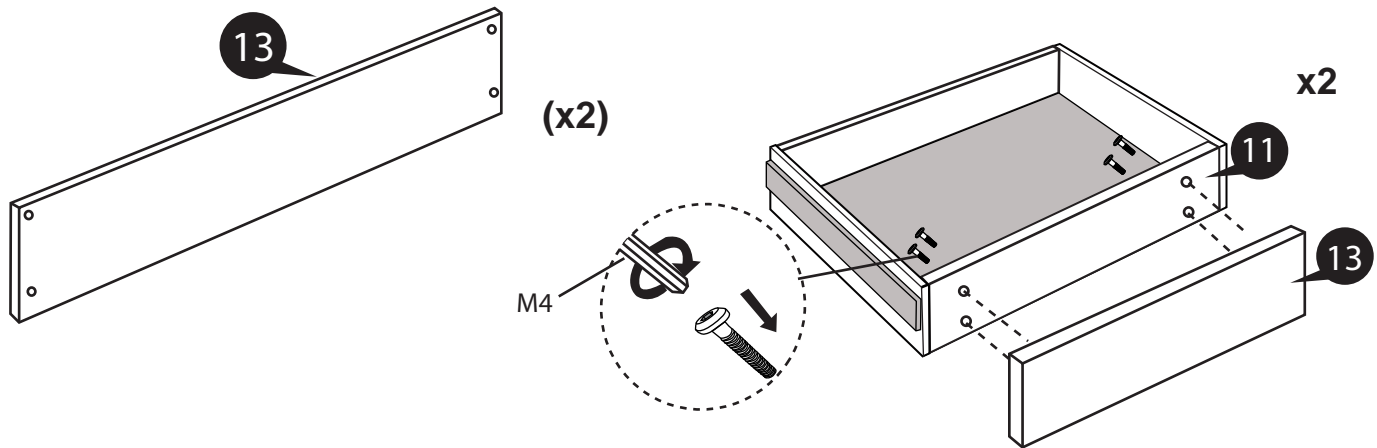
Step Eight

To construct the drawer, fix drawer back (10) with drawer support panels (14) using screw (J) as shown in fig 1. Next, fix the drawer side (9) using screw (J) as shown in fig 2. Finally, insert drawer bottom (12) and then fix drawer front (11) using screw (J) as shown in fig 3. Tighten using a cross head screw driver.



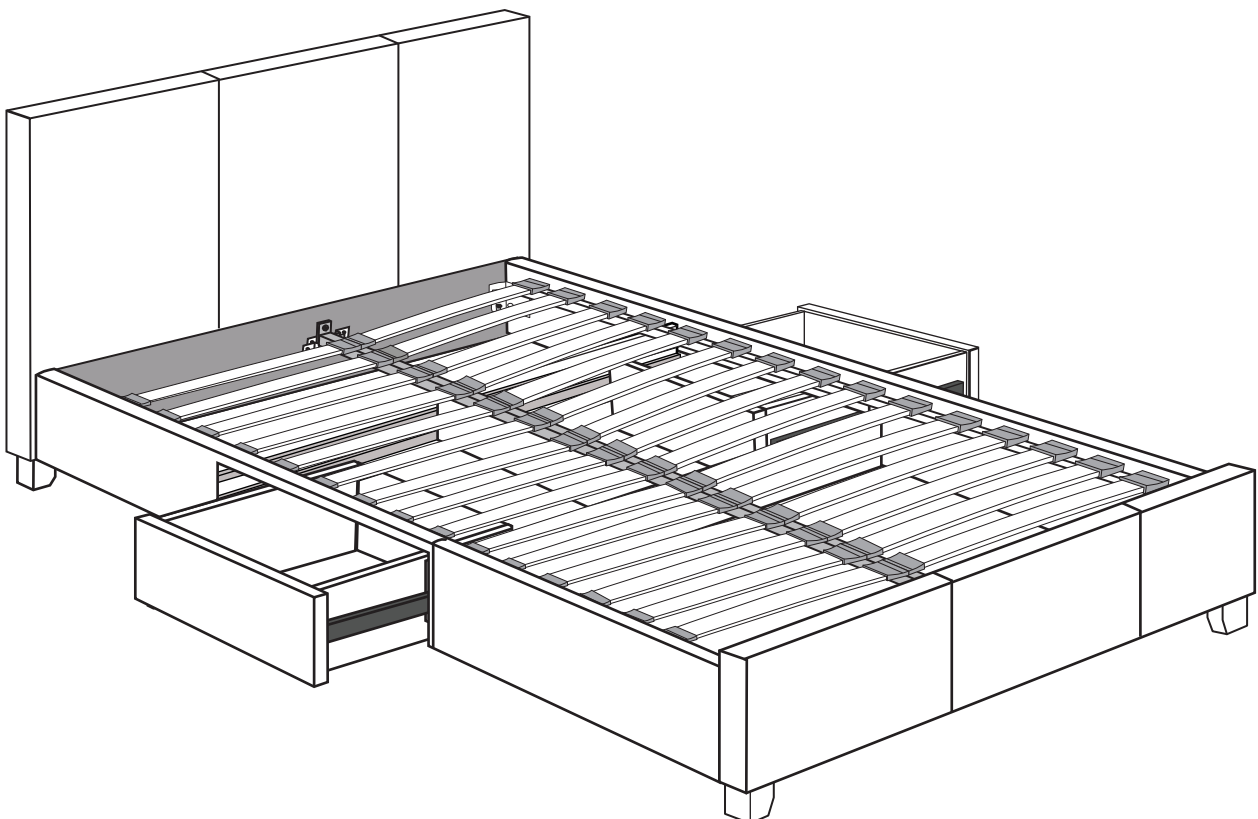
Step Nine

Attach drawer panel (13) to drawer and tighten together using bolt (H) tighten with Allen key M4 (A).



Step Ten

Slide drawers in to both sides of the bed frame. The bed is now ready for use.



Care and Maintenance

This Genoa Storage Bed should be cleaned using a soft damp cloth and dried immediately. Do not use a very wet cloth or allow any liquid contact for a long period of time as this can permanently damage the surface. Do not use detergents and do not rub as this can cause permanent damage. Always protect your bed from direct sunlight as this may accelerate the natural on going discolouration process. Screws holding together the bed frame should be tightened regularly.

Please retain this information leaflet for future reference.

This product complies with BS 1725:98

Safety Instructions

Never drag furniture when moving it, always lift it. periodically check all fixings to ensure none have come loose and re-tighten where necessary. Please take care when handling or moving the furniture as careless handling may cause damage or injury. Furniture can be dangerous if incorrectly installed. Any assembly should be carried out by competent adult. No liability will be accepted for damage or injury caused by incorrectly insalled or assembled furniture. During assembly children should be kept away from the product due to possible risk of injury. Do not use this item if any components are missing or damaged.

It is recommended that care is taken when moving heavy objects to a new location to avoid personal injury or damage to the furniture. Please be careful to retain all fitting when doing this.

If you require any additional information or have any issues with this product please call the John Lewis Helpline on 01244 689949 or email mail@fwgroup-uk.com

John Lewis Partnership 171 Victoria Street, London , SW1E 5NN.
www.johnlewis.com