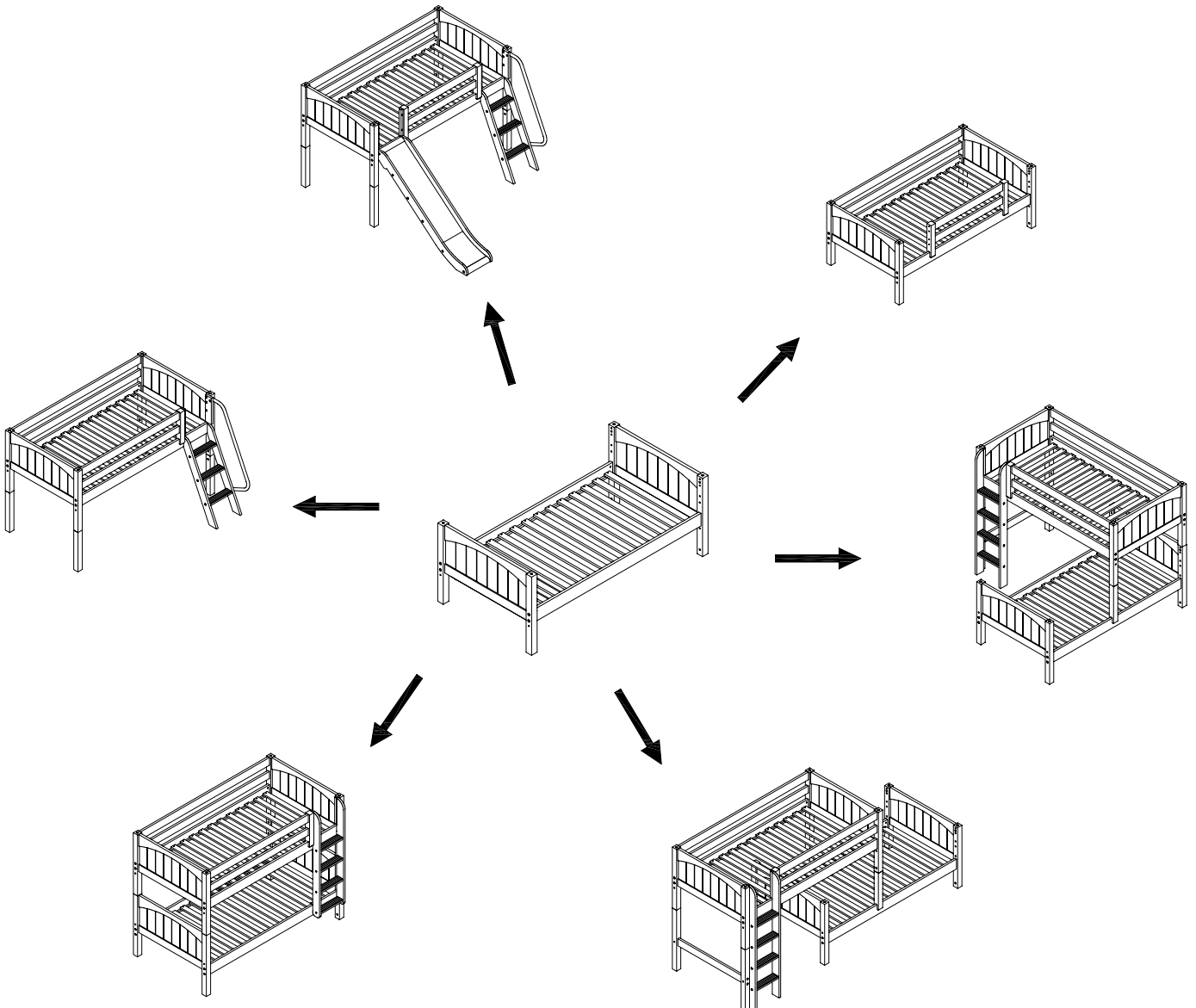
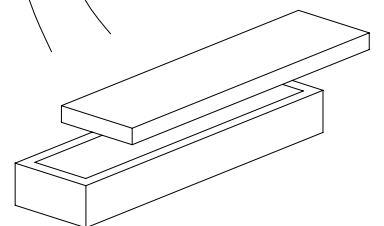
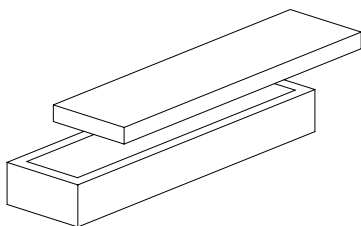
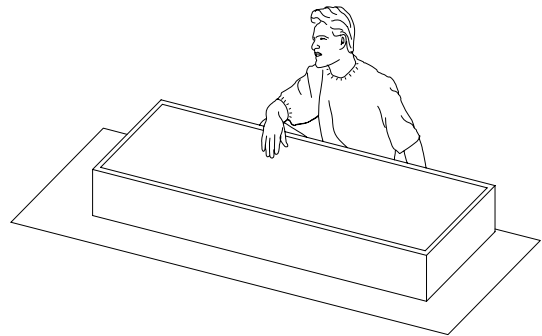
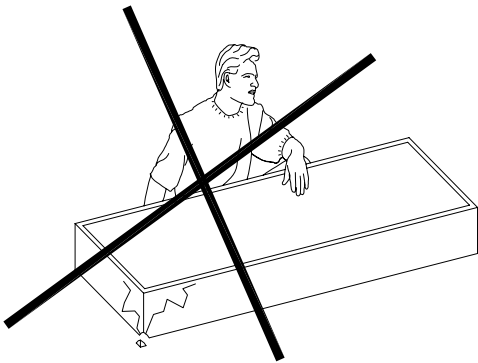
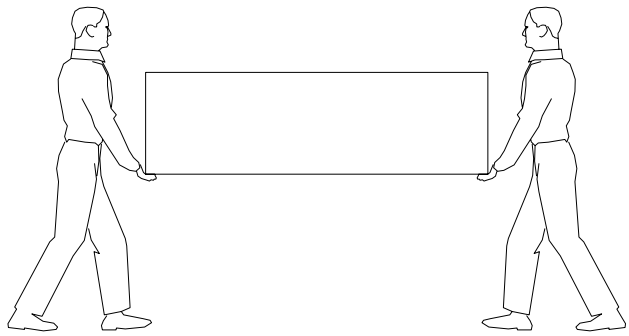
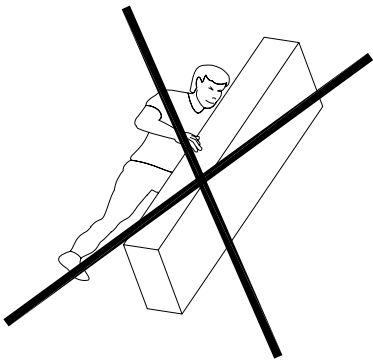
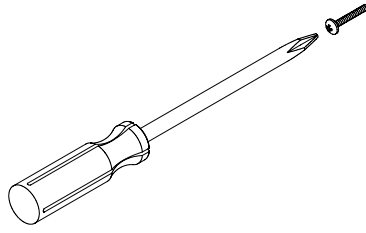
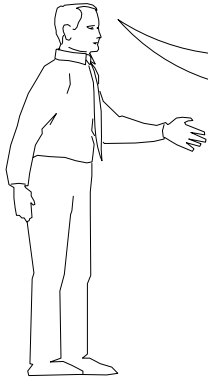




ASSEMBLY INSTRUCTIONS

for Bed and Bed Parts





STEP BY STEP ASSEMBLY INSTRUCTIONS

IMPORTANT - READ CAREFULLY RETAIN FOR FUTURE REFERENCE



is a registered trademark of Maxwood Furniture Inc.

Address: 675 E. Washington, Ave Bridgeport, CT 06608, USA

Bunk Beds comply with EN 747:2007 and Daybeds (Low/ Single bed) comply with BS8509:2008

Single beds are suitable for children ages 4 years and older.

Loft beds and Bunk beds are suitable for children ages 6 years and older.

Single beds should be placed up against the wall – or have a gap of at least 300mm between the wall and the side of the bed.

More and important safety instructions in the back of this assembly instruction.

PRE-ASSEMBLY PREPARATION

Please check the pack contents before attempting to assemble this product. A full checklist of components is given in this leaflet. If any components are missing, please contact your nearest stock list.

The ladder of bunk bed can be assembled on both left and right side, this instruction shows assembling for right side.

This product takes approximately 120 MINUTES to assemble with 2 People.

The fittings pack contains **SMALL ITEMS** which should be **KEPT AWAY FROM YOUNG CHILDREN**.

Read this leaflet in full before commencing assembly.

You will require a crosshead screwdriver, an Allen key (hex wrench) and perhaps a rubber mallet.

IMPORTANT SAFETY NOTE

Items must be assembled by an adult

Not suitable for children under 36 months due to the risk of falling

Do not leave children under 36 months un-attended

Always lift the unit from the base when moving it, do not drag along the ground.

It is recommended that two people should move the unit, never move it alone.

A hex wrench (5mm), drill bit (5mm) is supplied with this product. Additional tools needed to assemble this bed/bunk bed incl. a crosshead screwdriver and perhaps a rubber mallet. If a power drill is used, please use in lowest power setting as this otherwise may damage the product.

If any hardware parts used for assembling the bed are missing, please do not use replacement parts from other suppliers, but contact an authorized **Maxtrix**[®] retailer for replacement parts.

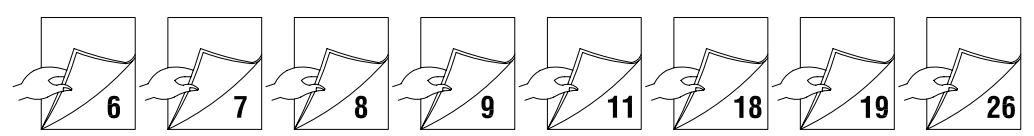
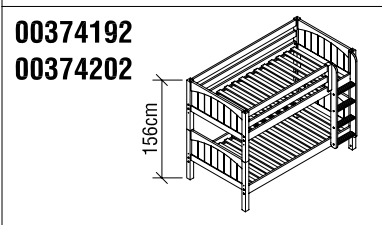
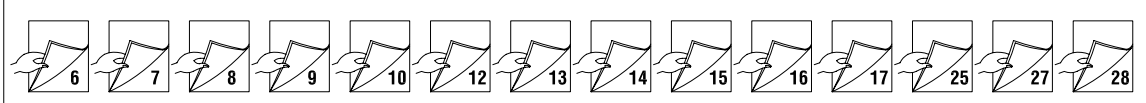
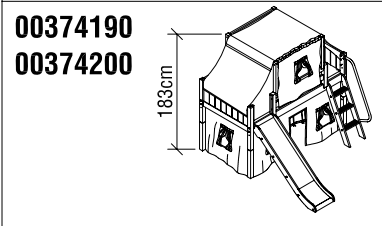
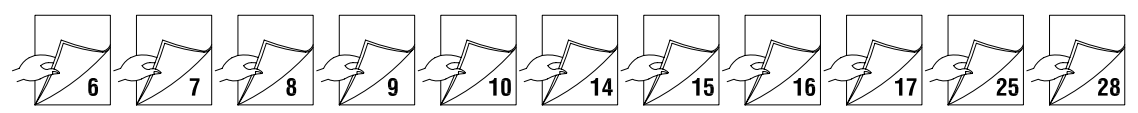
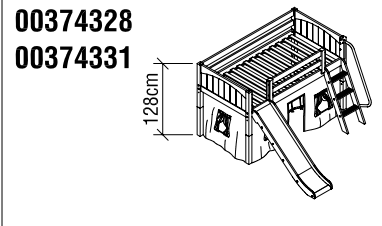
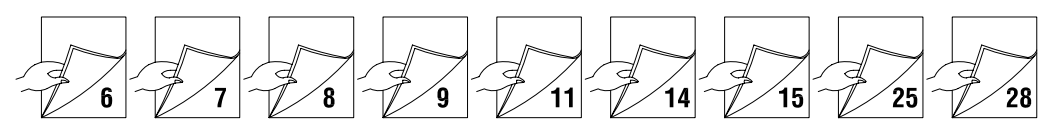
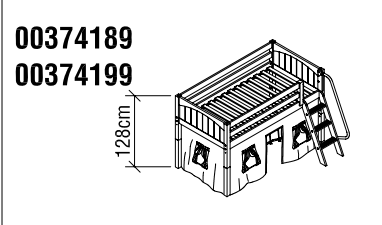
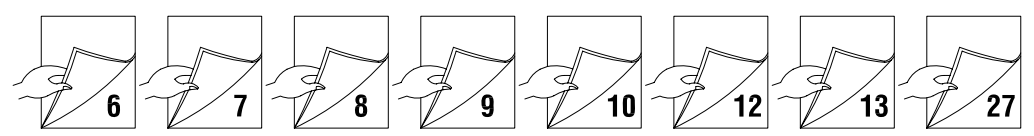
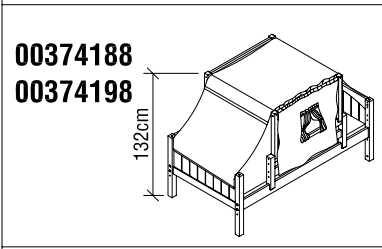
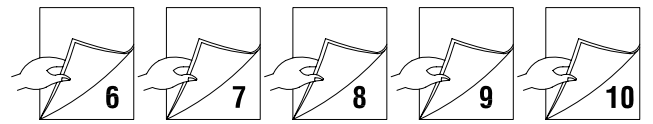
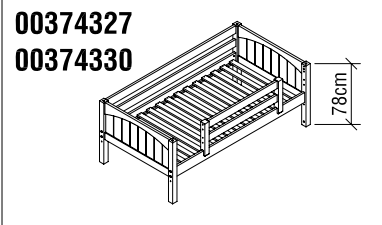
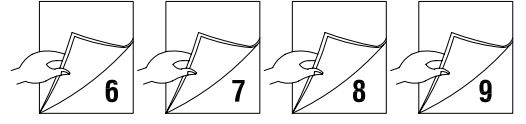
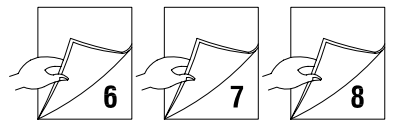
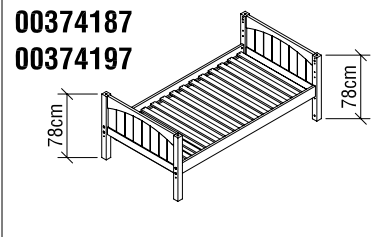
It is recommended to put the slide on a carpeted floor. Do not use on hard surface, uncarpeted floors or tiled floors.

Children are likely to play, bounce, jump and climb on beds, therefore a child's bed should not be placed too close to other furniture or windows, and should be placed either tight to any wall or have a gap of 300mm between the wall and the side of the bed.

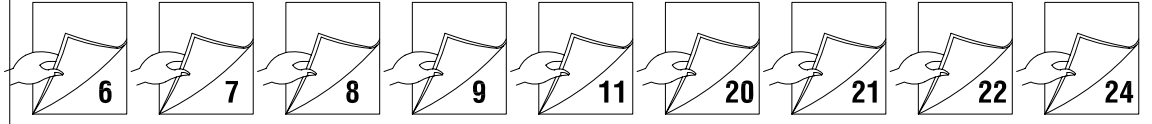
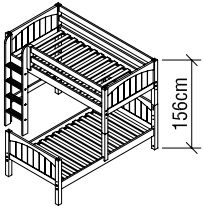
WARNING. Do not place this child's bed near heat sources, windows or other furniture.

WARNING. Do not use this child's bed if any part is broken, torn or missing.

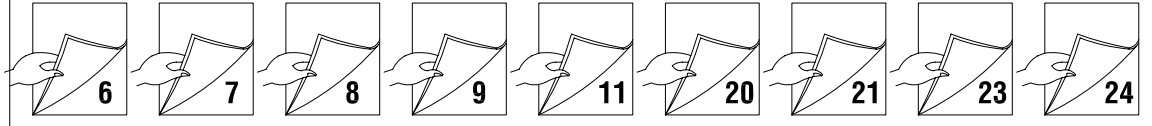
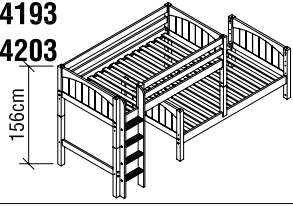
Maxtrix® is a bed system. All components are modular and often the same components are used in the assembly of different beds.
 This assembly instruction overview displays a sequential step by step assembly guide. Follow the steps in the assembly instructions on each page. When one step is completed – follow the assembly guide steps for the next page number etc. (e.g. page 4, then 5, then 6, then 7, then 9 etc.)



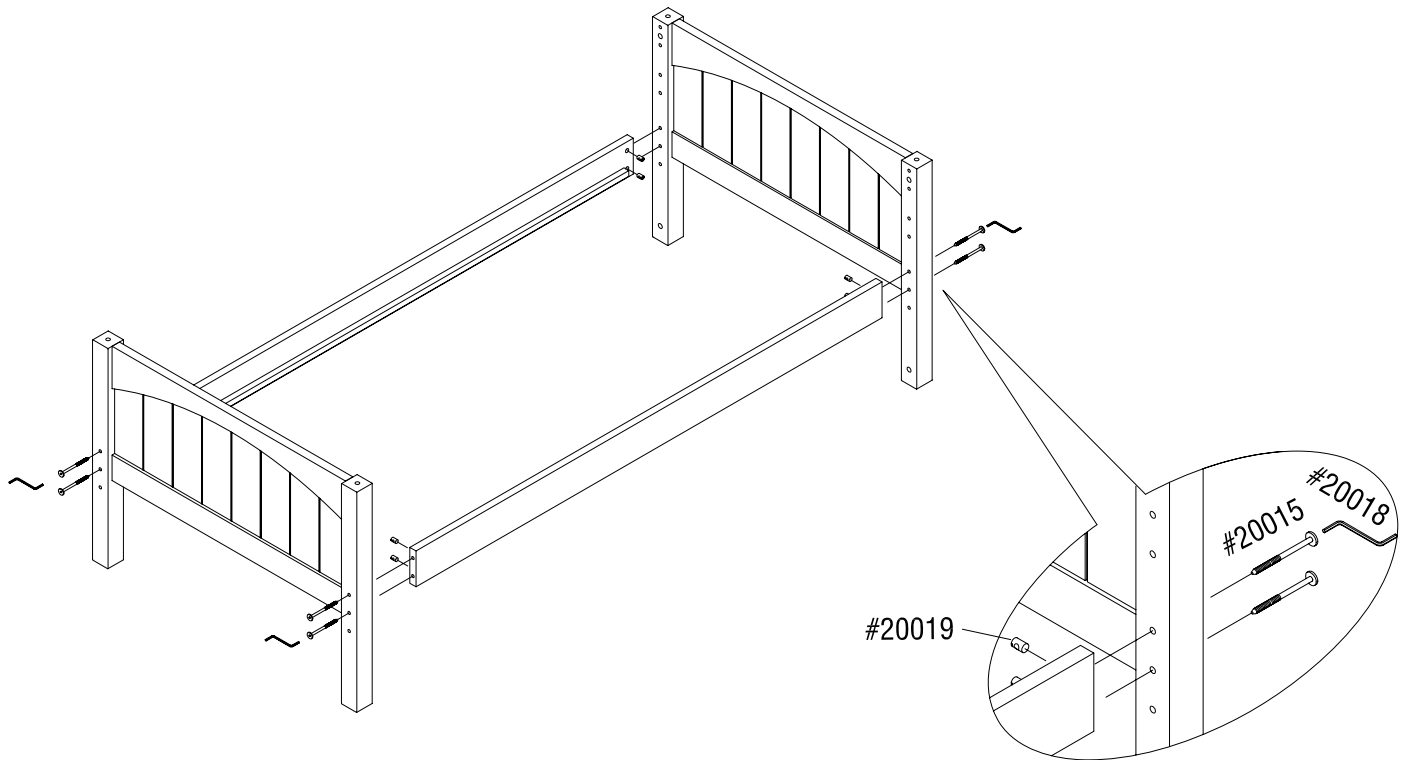
00374193
00374203



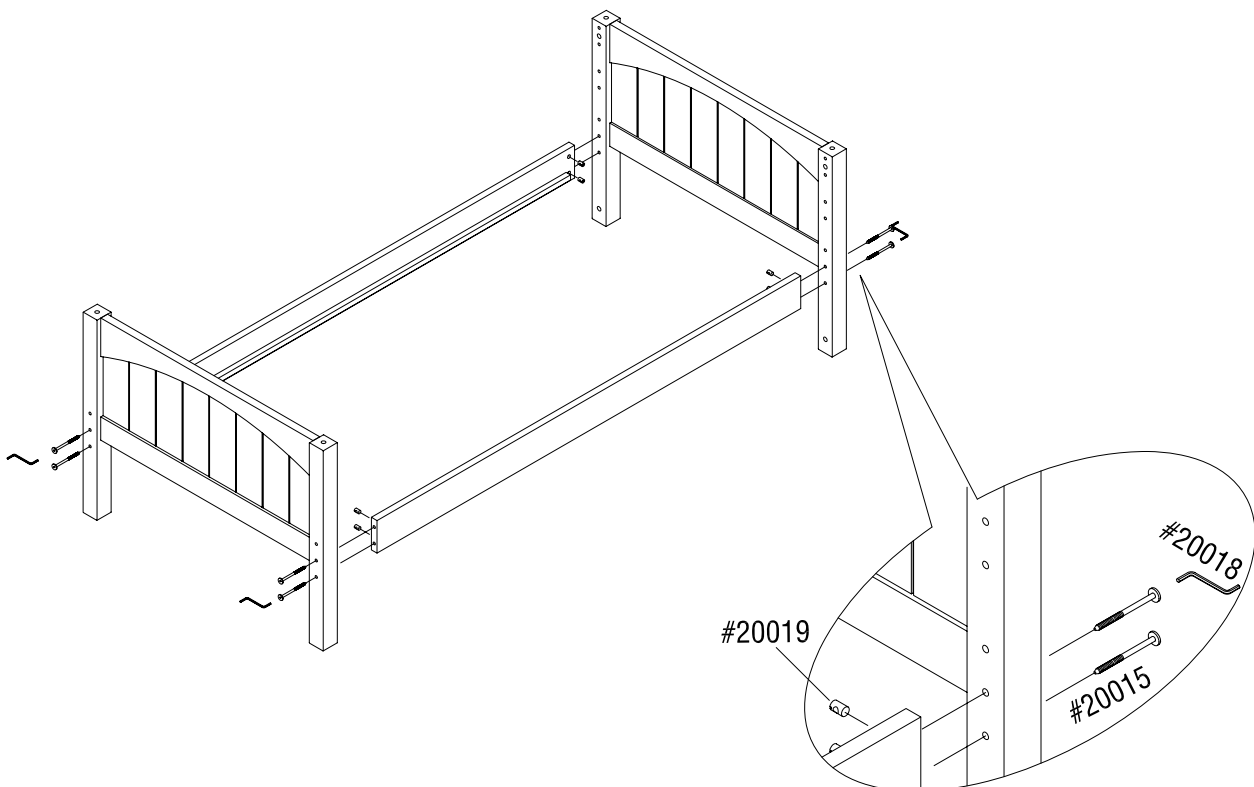
00374193
00374203



A: BED SIDE RAIL ASSEMBLED IN THE UPPER POSITION

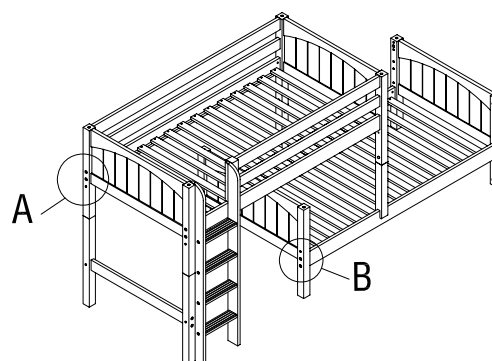
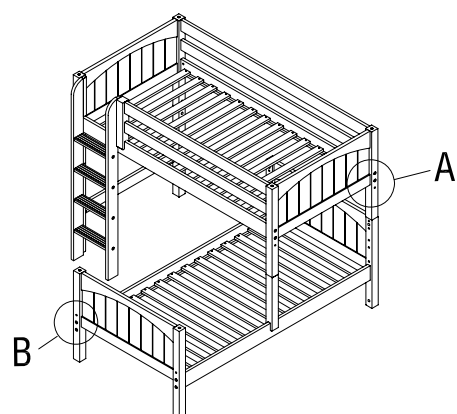
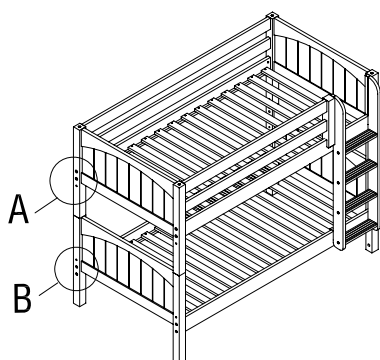
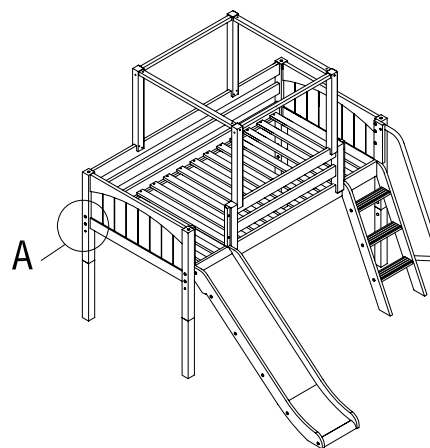
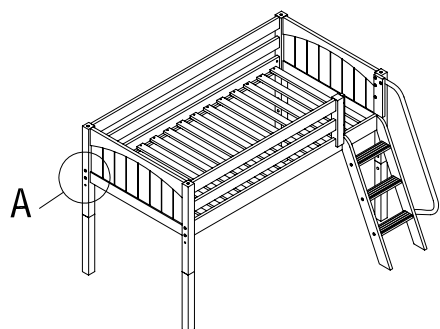
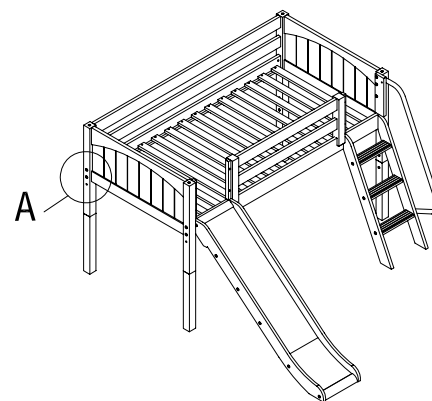
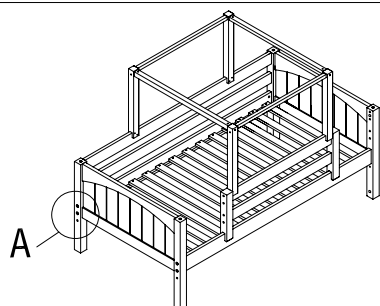
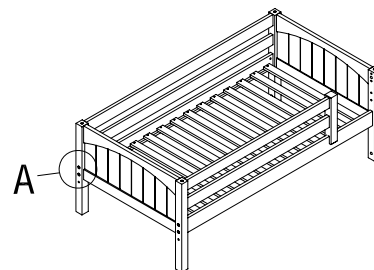
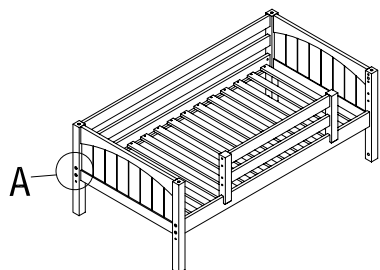
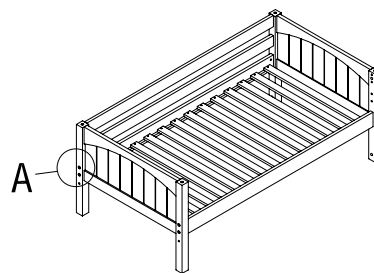
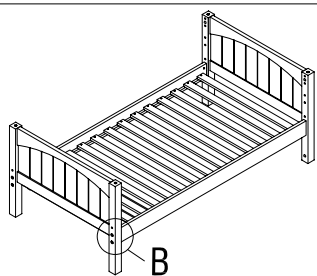


B: BED SIDE RAIL ASSEMBLED IN THE LOWER POSITION



A: BED SIDE RAIL ASSEMBLED IN THE UPPER POSITION

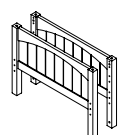
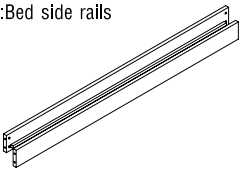
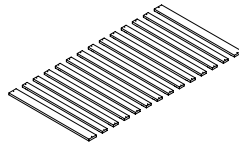
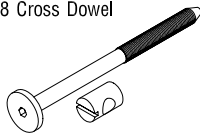

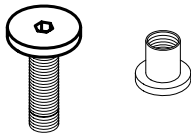
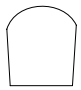
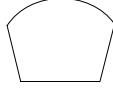
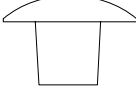

B: BED SIDE RAIL ASSEMBLED IN THE LOWER POSITION

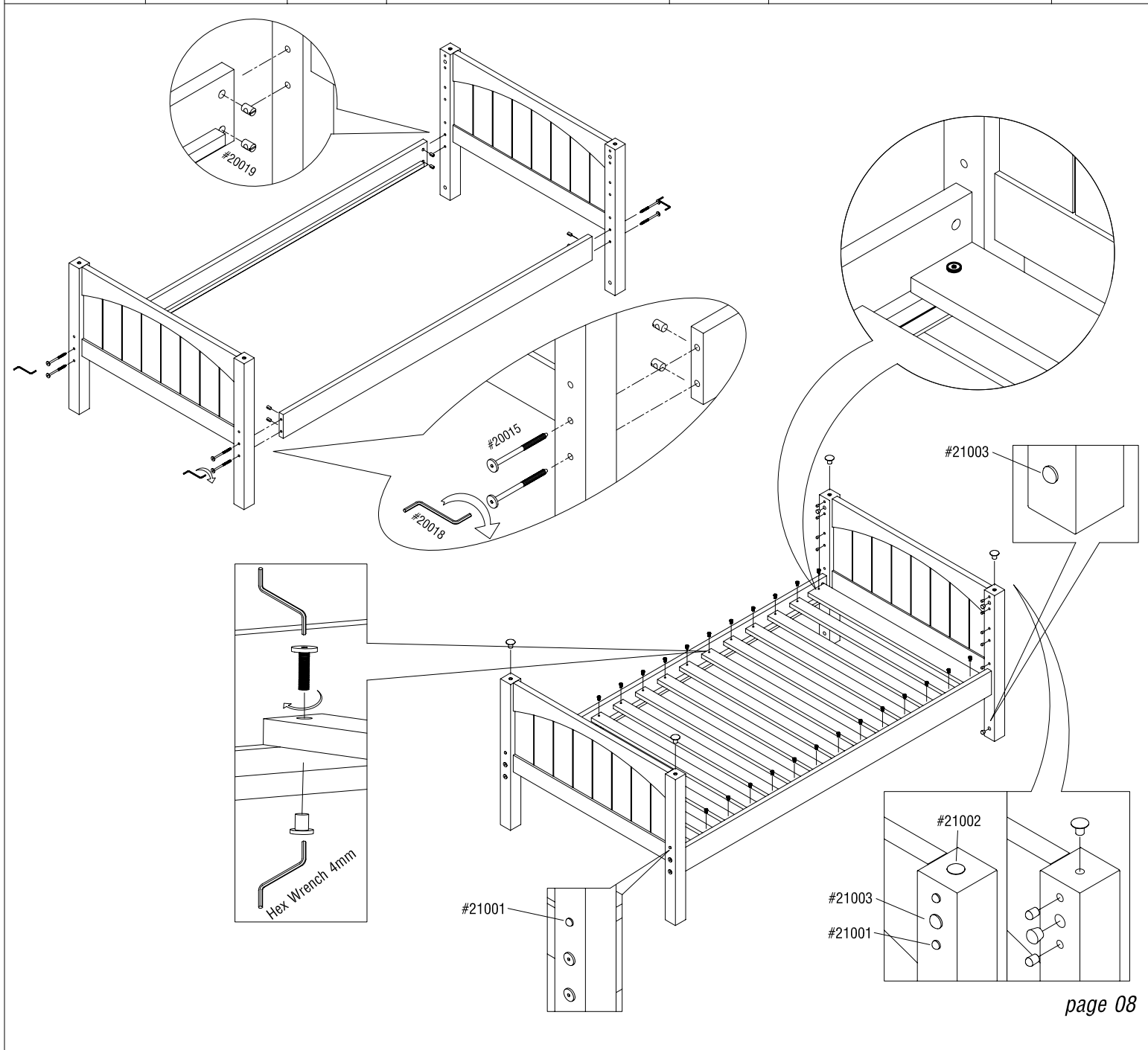


ASSEMBLY INSTRUCTION

00374187 & 00374197

80366601, 80366603, 80366604 & 80366606 / 80366602, 80366603, 80366605 & 80366607

<p>#21104: Low 780 Twin Bed Ends</p> 	<p>#110: 2 x #21104</p>	<p>#21007: Bed side rails</p> 	<p>#700: 2 x #21007</p>	<p>#210: Slats</p> 	<p>#210: 14 x slats</p>	
<p>#20015: M8 110mm hex head bolt #20019: M8 Cross Dowel</p> 	<p>8 x #20015 8 x #20019</p>	<p>#20042: Drill Bit #20018: Hex Wrench 5mm</p> 	<p>1 x #20042 2 x #20018</p>	<p>#20210</p> 	<p>28 x #20210</p>	
<p>#21001: 11mm wood plugs</p> 	<p>#21003: 17mm wood plugs</p> 	<p>24 x #21001 8 x #21003</p>	<p>#21002: 27mm wooden mushroom plugs</p> 	<p>4 x #21002</p>	<p>Hex Wrench 4mm</p> 	<p>2</p>



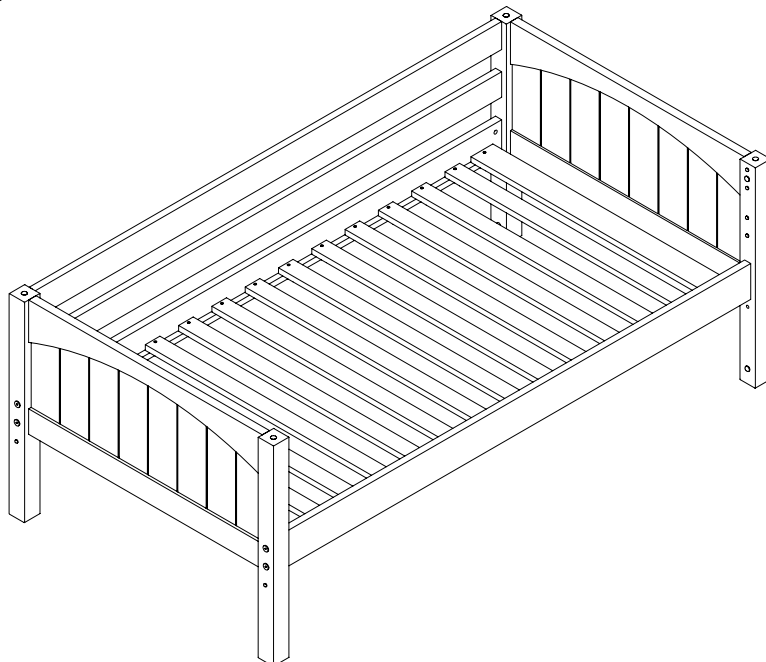
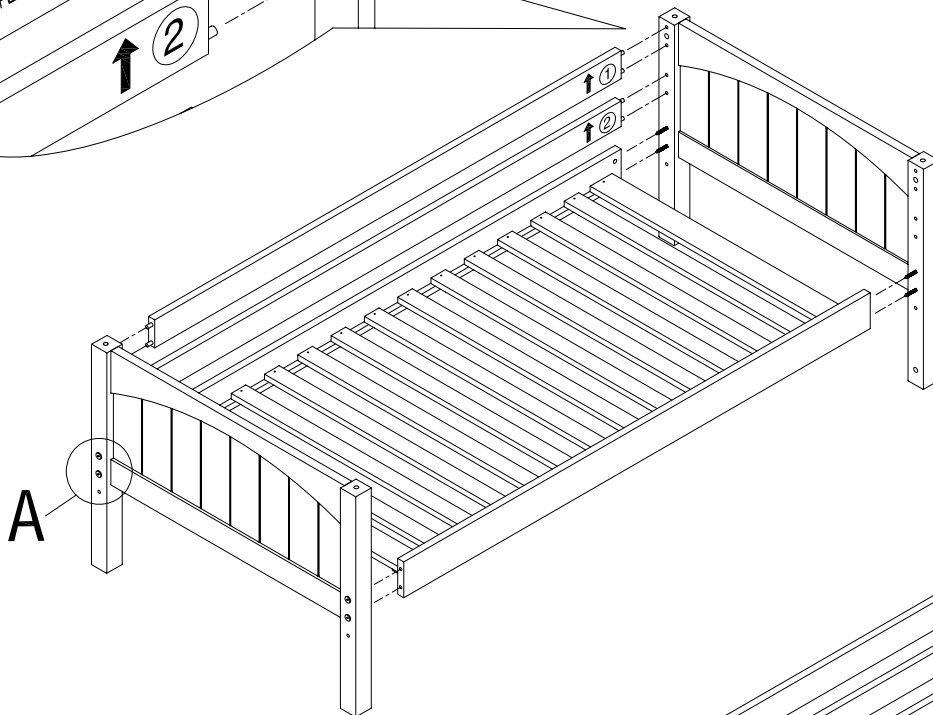
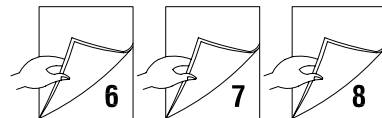
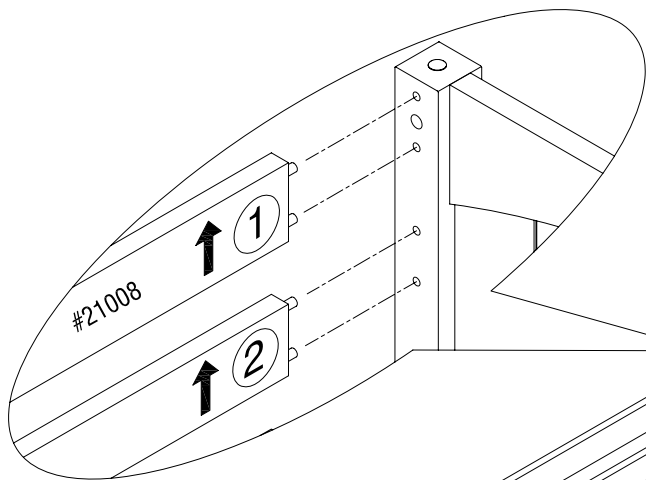
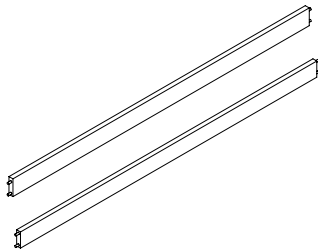
ASSEMBLY INSTRUCTION

00374326 & 00374329

80366606 & 80366607

#21008: Full Length Back Rail

2 x #21008

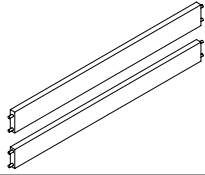


ASSEMBLY INSTRUCTION

00374327 & 00374330

80366608 & 80366609

#21010: 1/2 Length Guard Rail



2 x #21010

#20022: 30mm Wood screw



6 x #20022

#21011: Upright Post

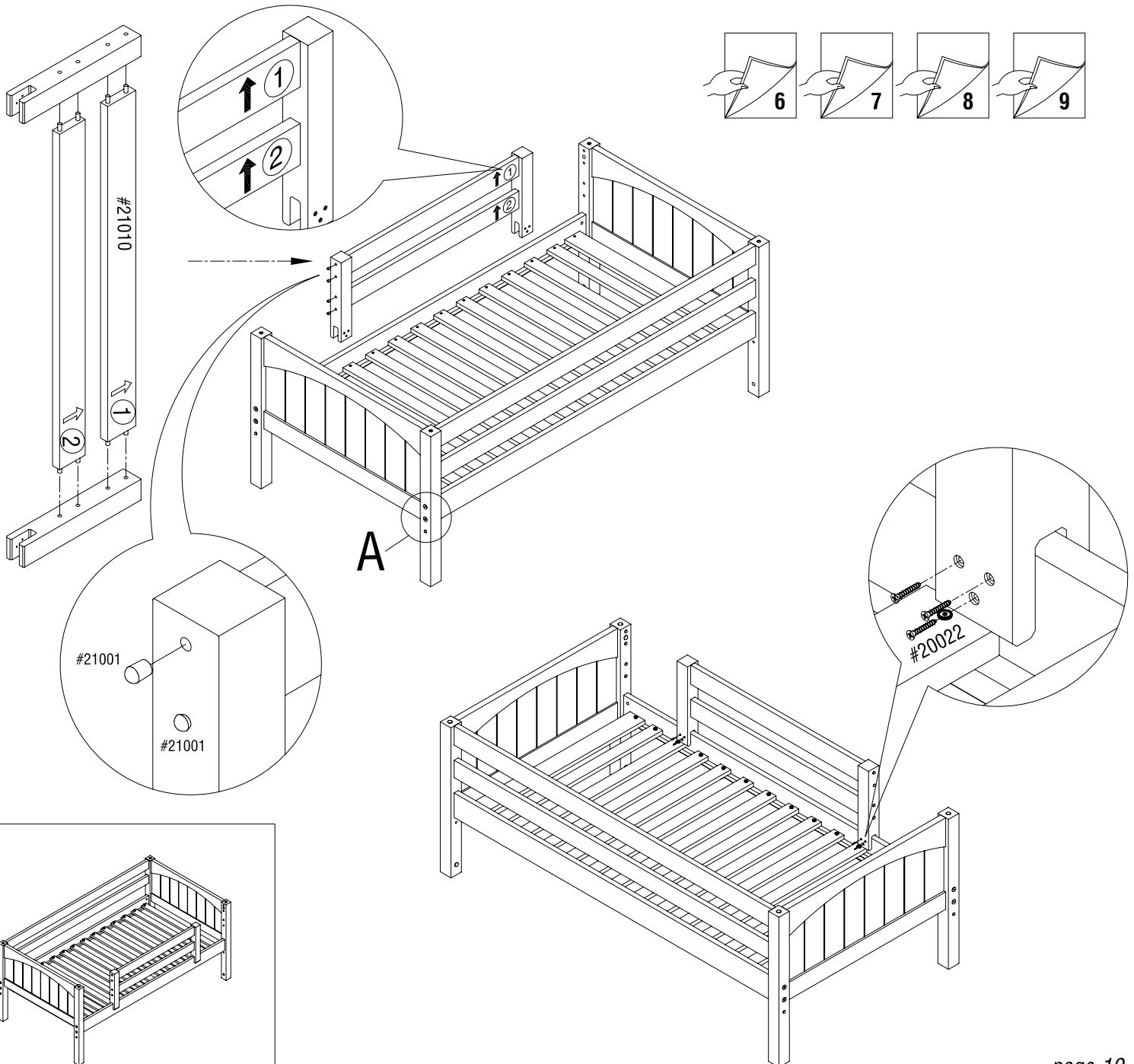


2 x #21011

#21001: 11mm wood plug



8 x #21001

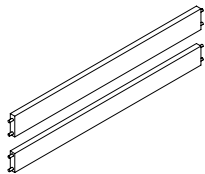


ASSEMBLY INSTRUCTION

80366610 & 80366611

80366610 & 80366611

#21009: $\frac{3}{4}$ Length Guard Rail



2 x #21009

#20022: 30mm Wood screw



3 x #20022

#21011: Upright Post

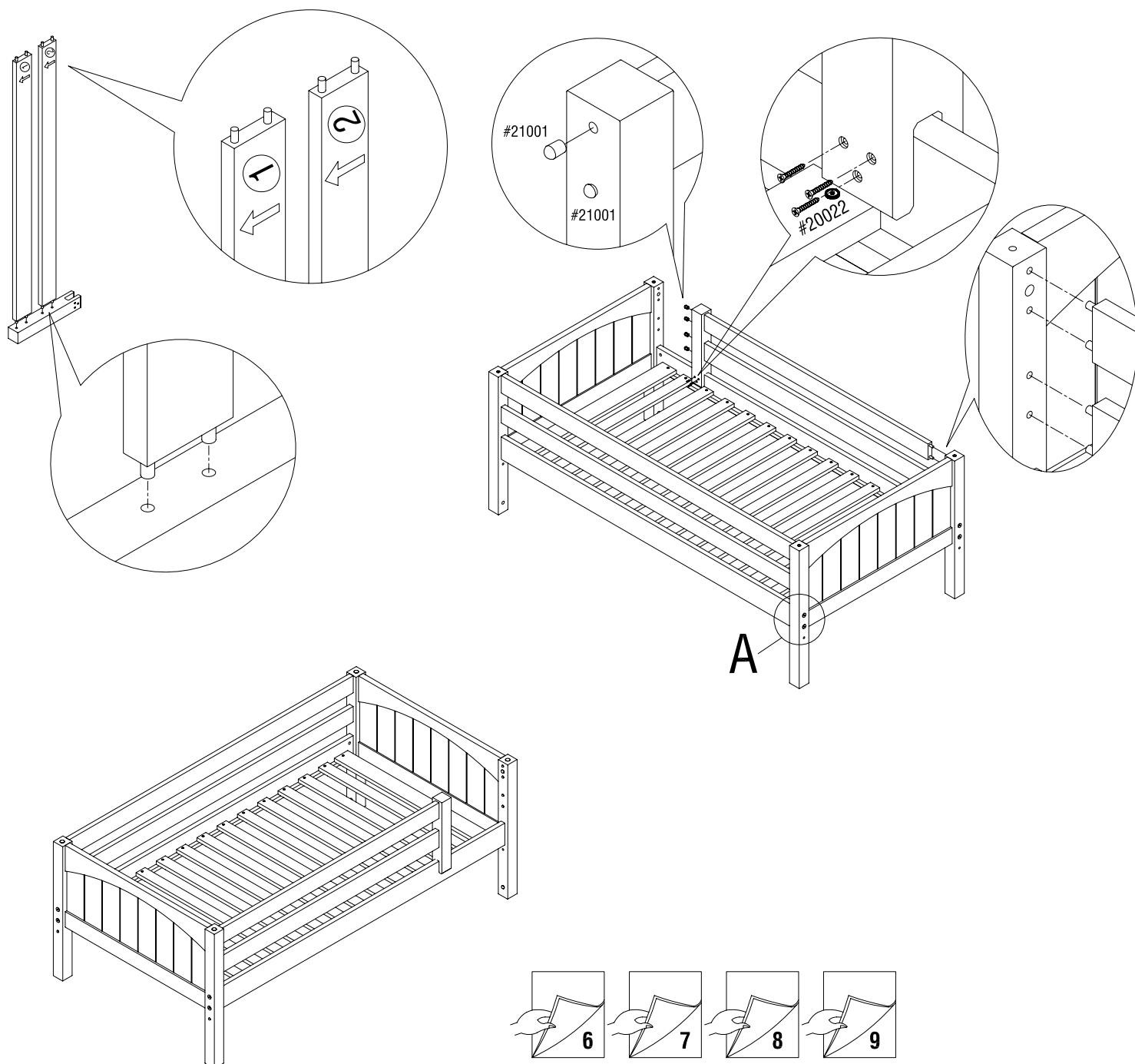


1 x #21011

#21001: 11mm wood plug




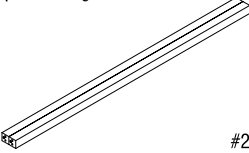
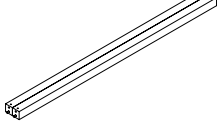
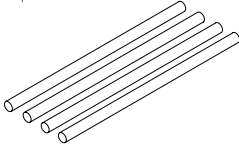

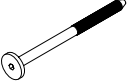


4 x #21001

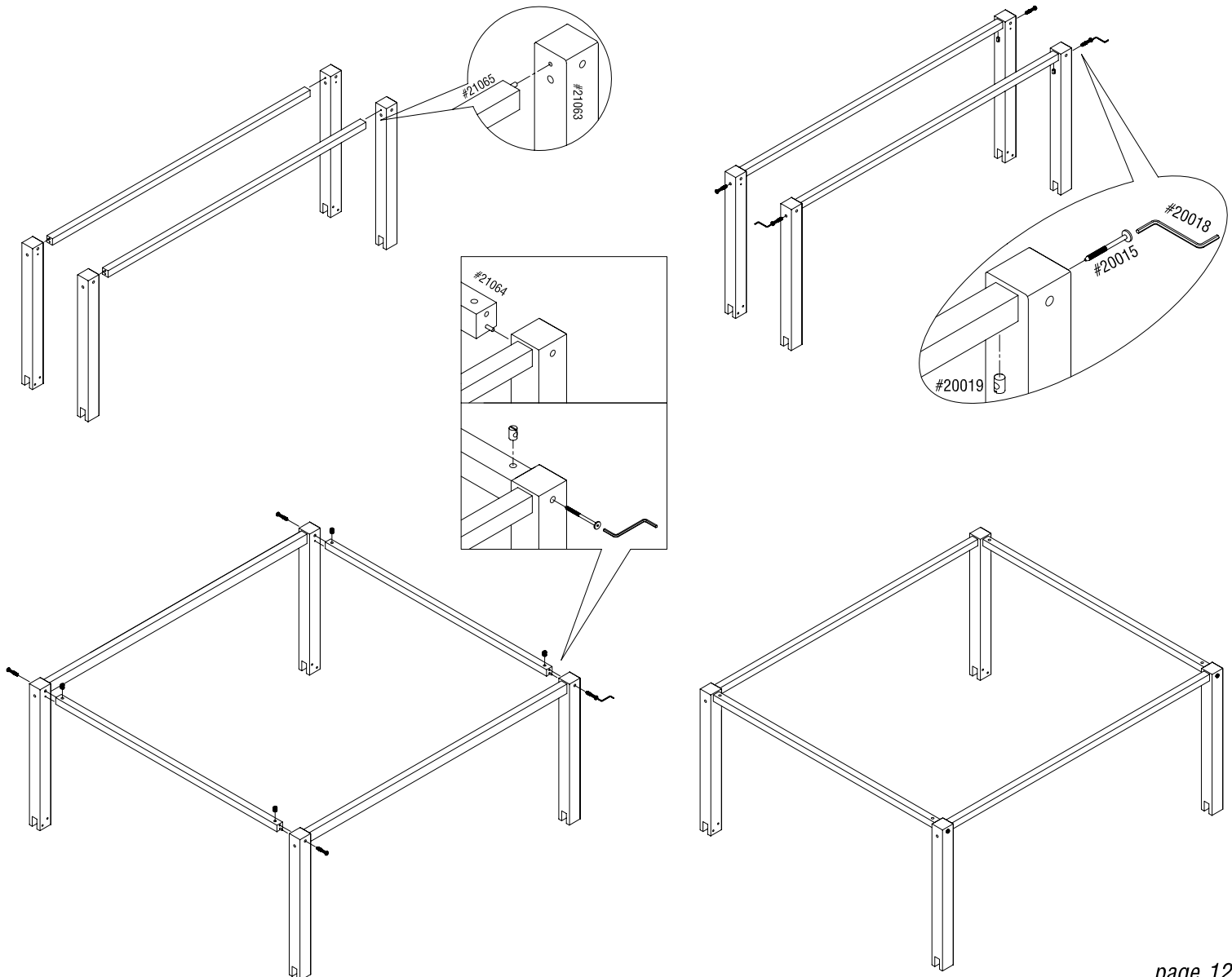


ASSEMBLY INSTRUCTION

80366612 & 80366613

80366612 & 80366613

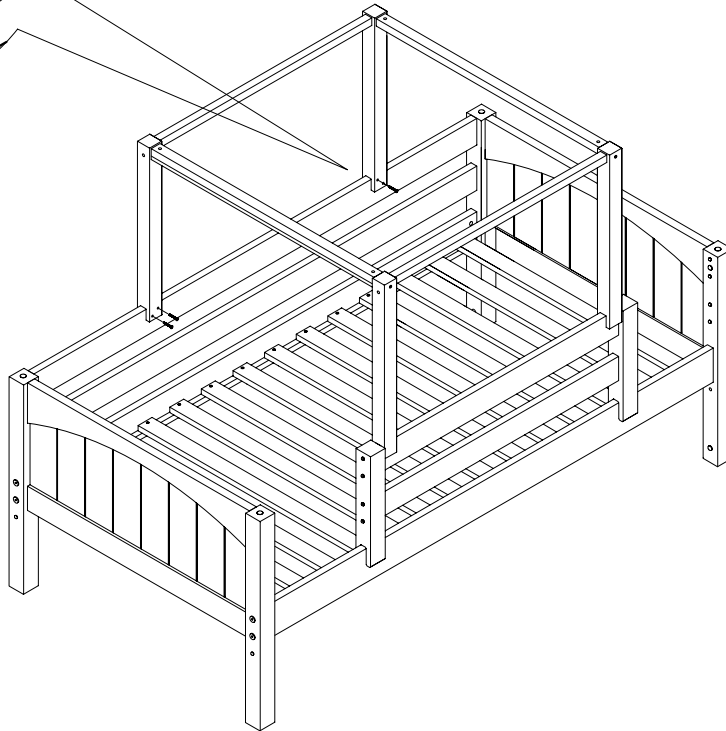
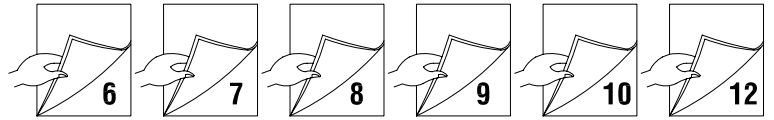
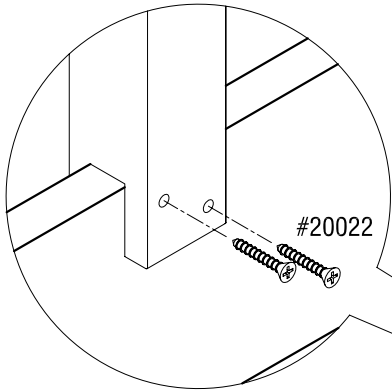
<p>#21063: Top tent poster leg</p> 	<p>4 x #21063</p>	<p>#21065: Top tent long cross member</p>  <p>#21064: Top tent short cross member</p> 	<p>2 x #21065 2 x #21064</p>
<p>#21073: Long thin sticks ϕ19</p> 	<p>4 x #21073</p>	<p>#20019: M8 cross dowel</p>  <p>#20015: M8 110mm hex bolt</p>  <p>#20022: 30mm wood screw</p> 	<p>8 x #20019 8 x #20015 8 x #20022</p>
<p>#20018: Hex wrench 5mm</p> 	<p>1 x #20018</p>		



ASSEMBLY INSTRUCTION

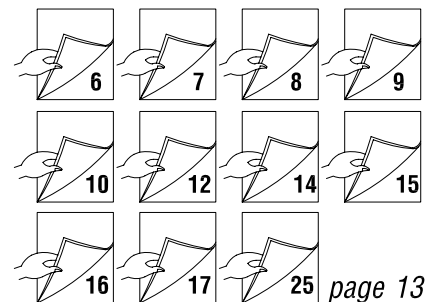
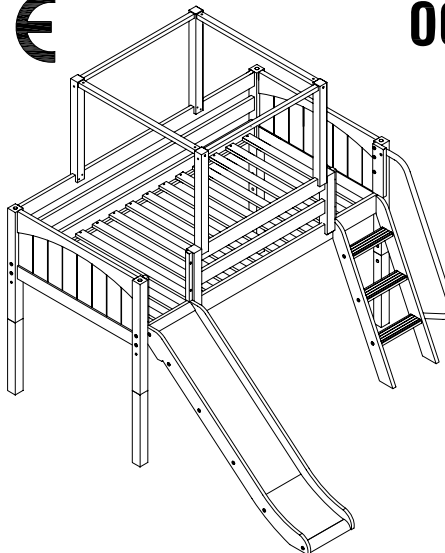
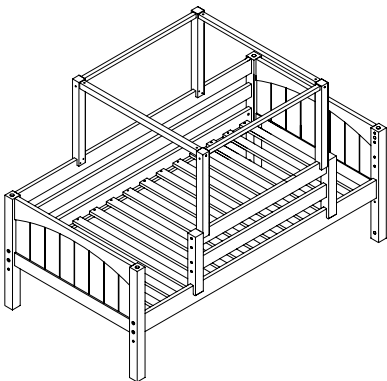
00374188 & 00374198

80366612 & 80366613



CE

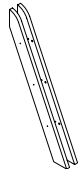
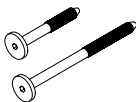
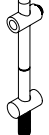
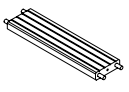

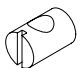





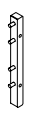
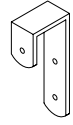
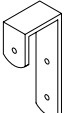

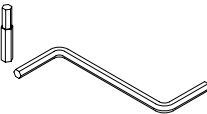





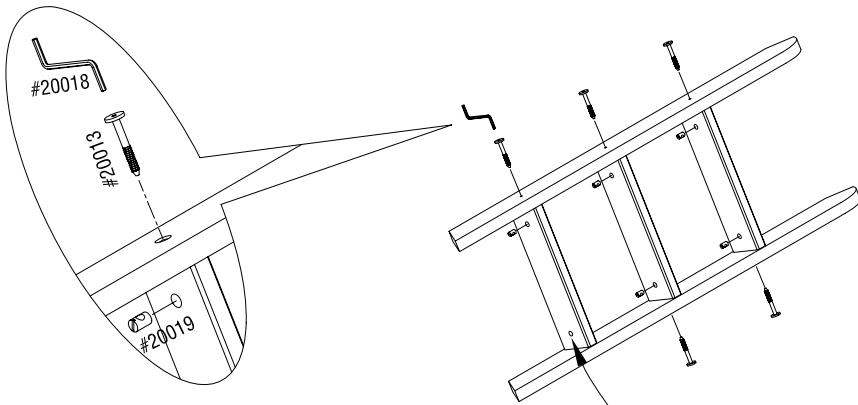
00374190 & 00374200

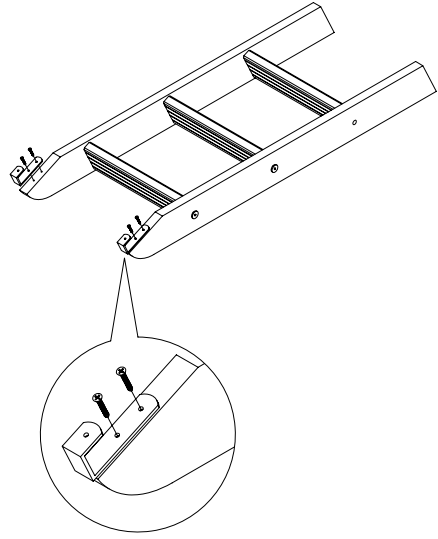
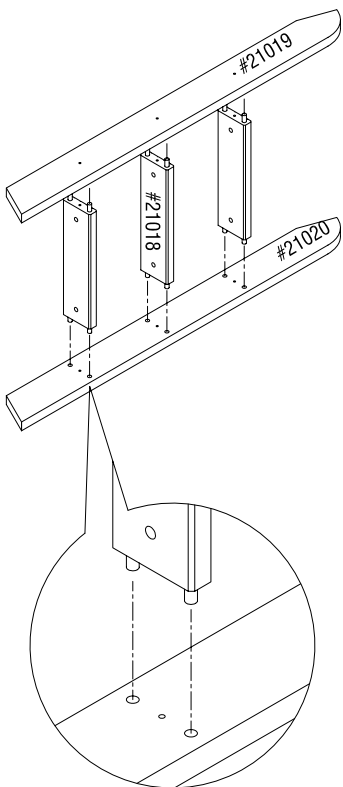


ASSEMBLY INSTRUCTION

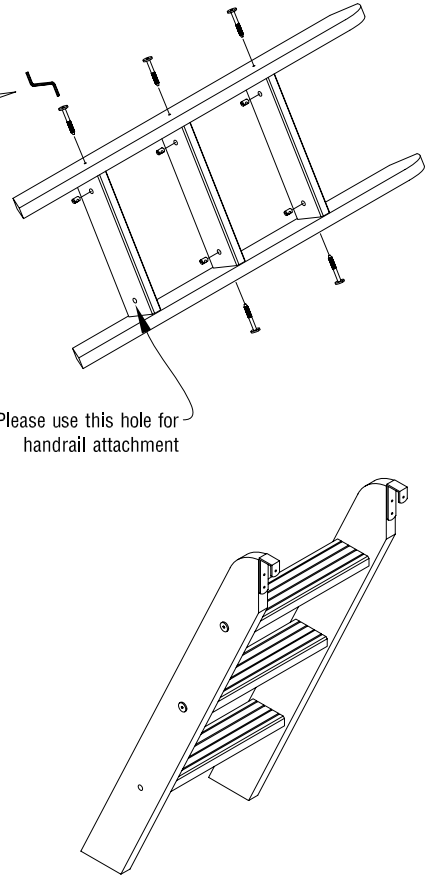
80366616 & 80366617

80366616 & 80366617

#21019: left ladder side #21020: Right ladder side 	1 x #21019 1 x #21020	#20013: M8 60mm hex bolt #20015: M8 110mm hex bolt 	6 x #20013 1 x #20015	#20010 leg bolt set 	
#21018: ladder step  #21021: Low loft leg 	3 x #21018 4 x #21021	#20019: M8 Cross dowel 	6 x #20019	Leg bolt  Set screws  Cross dowel  Cylinder for set screws 	4 x #20010
#21015: Wide ladder bracket #21014: Thin ladder bracket  	1 x #21015 1 x #21014	#20017: 45mm Wood screw 	3 x #20017	#20039: J-Hook 	2 x #20039
#20026: Handrail 	1 x #20026	#20030: Black rubber washer #20031: Flat hex T- Nut  	2 x #20030 1 x #20031	#20018: Hex wrench 5mm #20042: M5 Drill bit  	1 x #20018 1 x #20042
#20045: 19mm wood screw #20022: 30mm wood screw  	2 x #20045 4 x #20022				

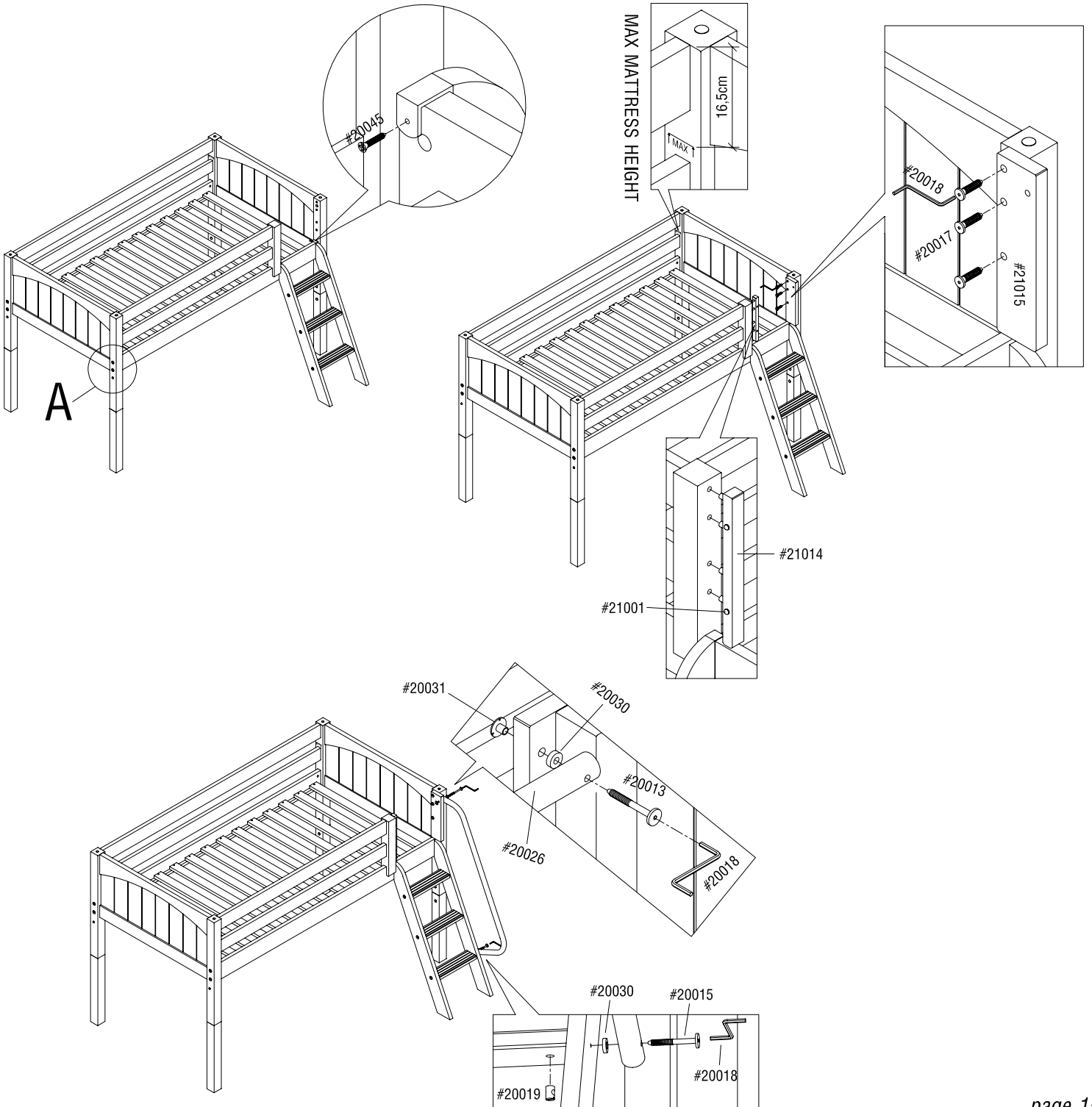
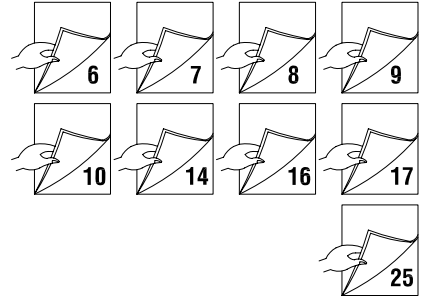
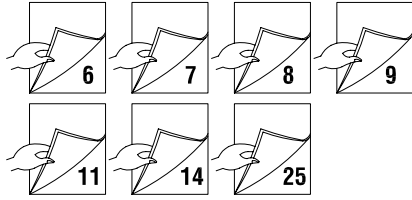


Please use this hole for handrail attachment



ASSEMBLY INSTRUCTION

00374189 & 00374199

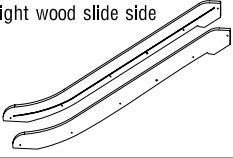
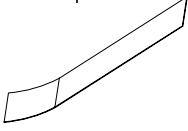
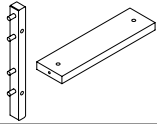
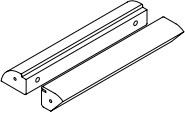
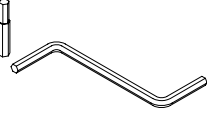

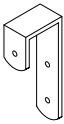
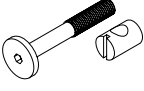


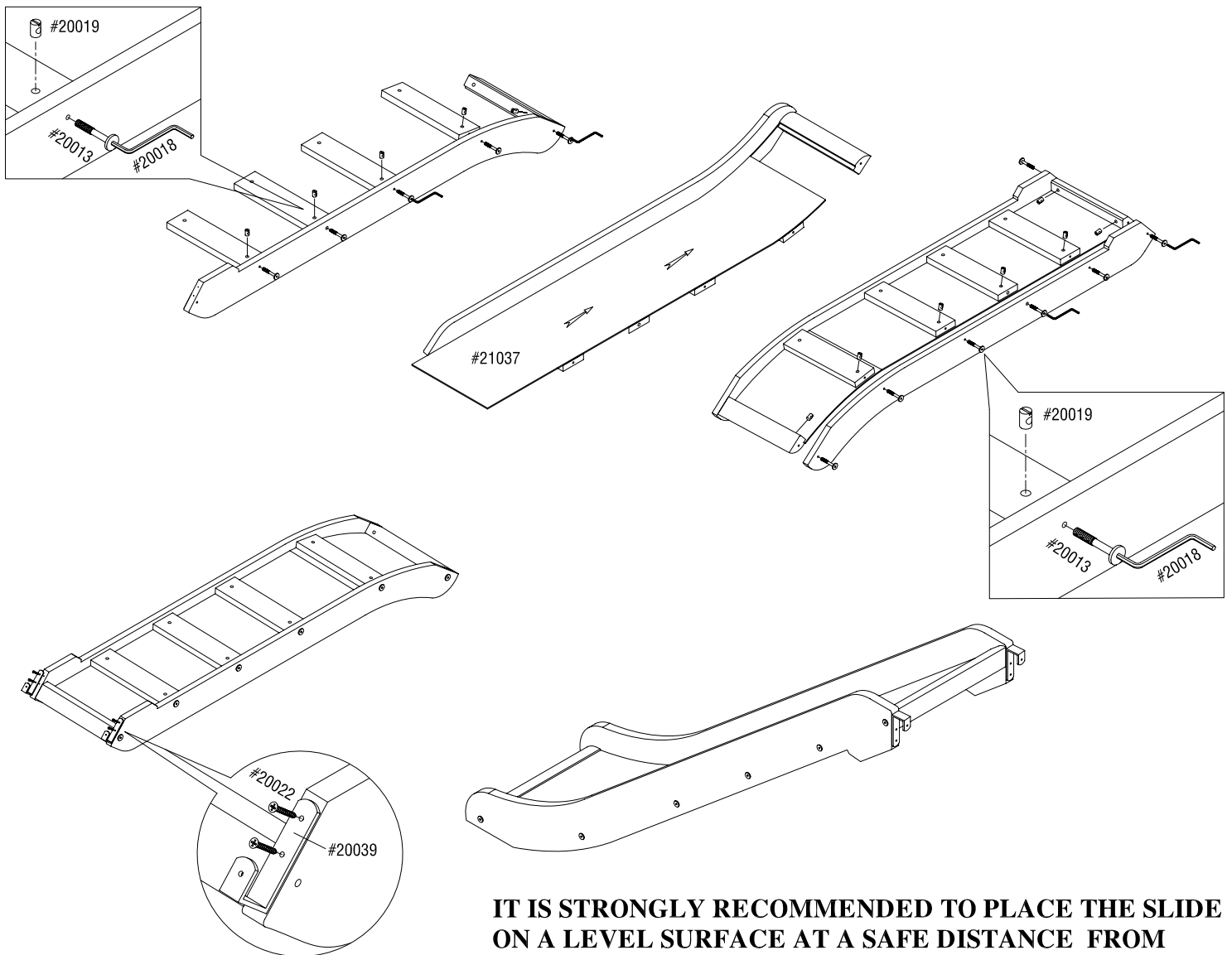
ASSEMBLY INSTRUCTION

80366621 & 80366622



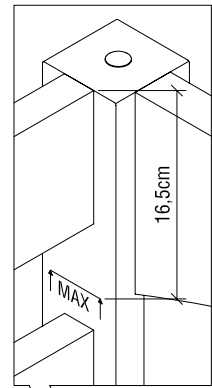
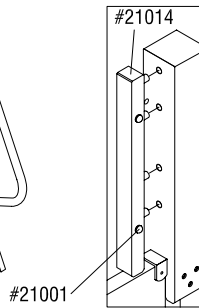
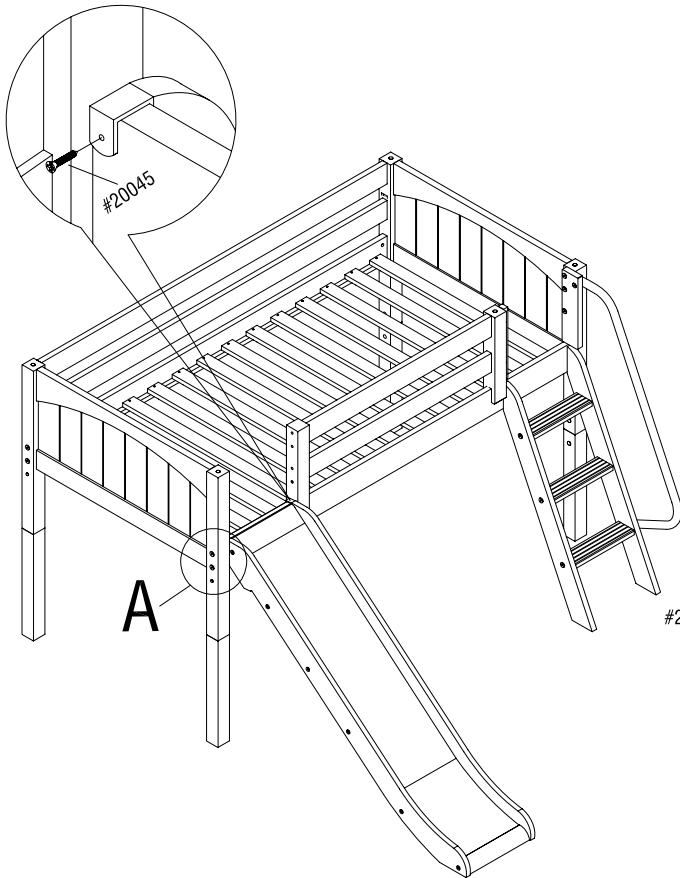
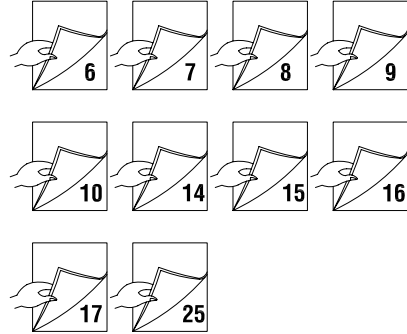
80366621 & 80366622

#21038: Left wood slide side #21039: Right wood slide side 	1 x #21038 1 x #21039	#21037: Plastic slide panel 	1 x #21037	#21014: thin ladder bracket #21040: Slide panel support 	2 x #21014 4 x #21040
#21041: Slide stop piece #21042: Slide lock piece 	1 x #21041 1 x #21042	#20018: Hex wrench 5mm #20042: M5 Drill bit 	1 x #20018 1 x #20042	#20045: 19mm wood screw #20022: 30mm wood screw 	2 x #20045 4 x #20022
#20039 J-Hook 	2 x #20039	#20013: M8 60mm hex bolt #20019: M8 cross dowel 	12 x #20013 12 x #20019		

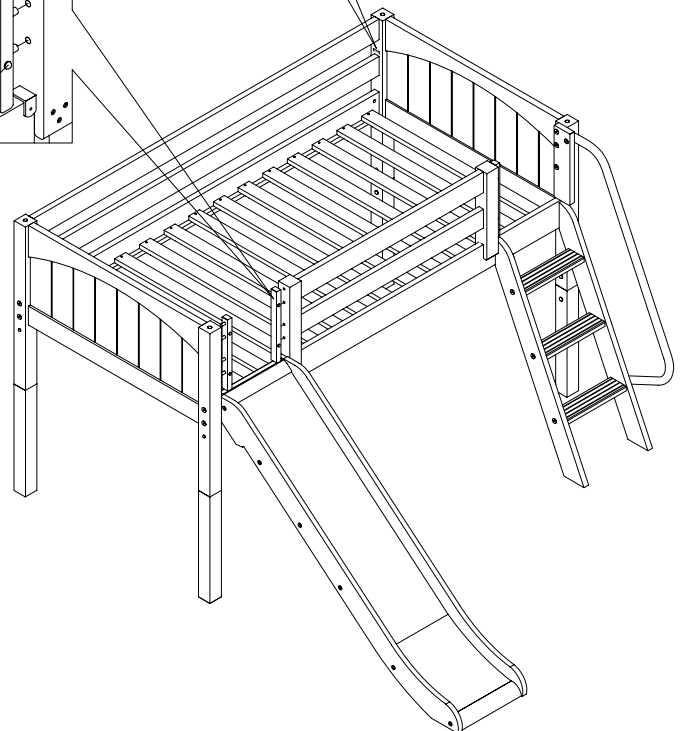


IT IS STRONGLY RECOMMENDED TO PLACE THE SLIDE ON A LEVEL SURFACE AT A SAFE DISTANCE FROM ANY STRUCTURE OR OBSTRUCTION SUCH AS WALL, FURNITURE ETC.

ASSEMBLY INSTRUCTION



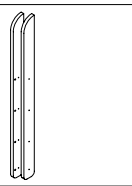

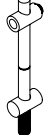
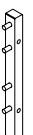
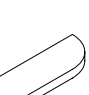
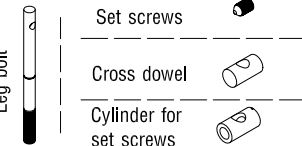
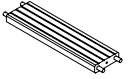


MAX MATTRESS HEIGHT

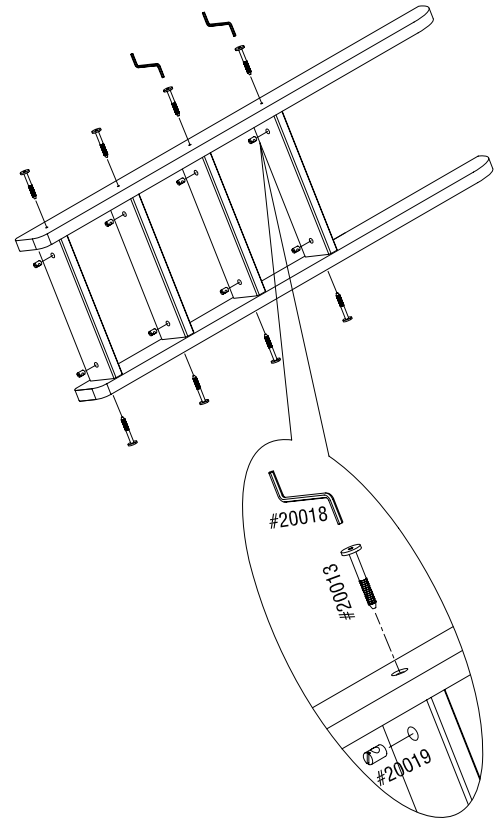
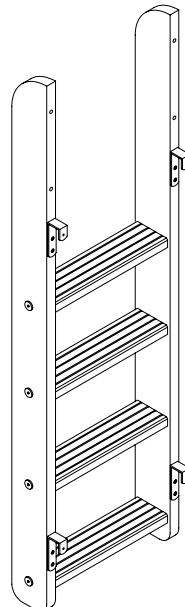
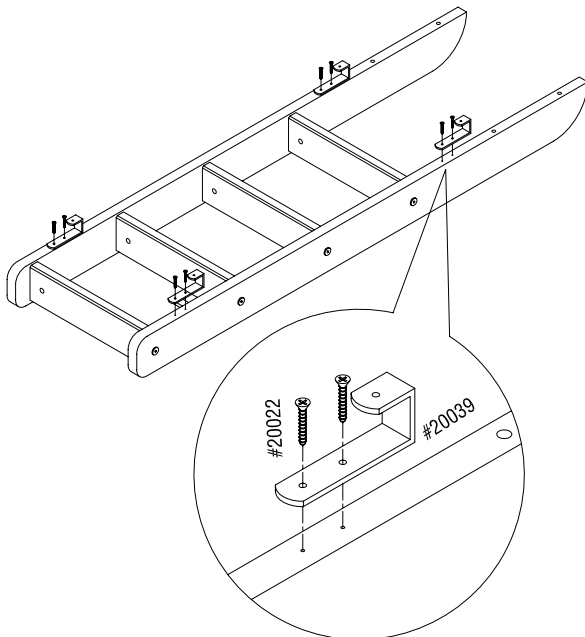
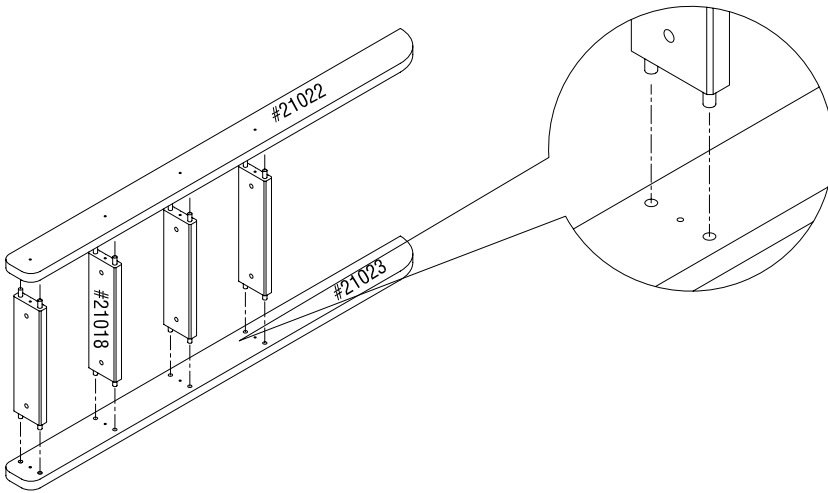


ASSEMBLY INSTRUCTION

80366627 & 80366628

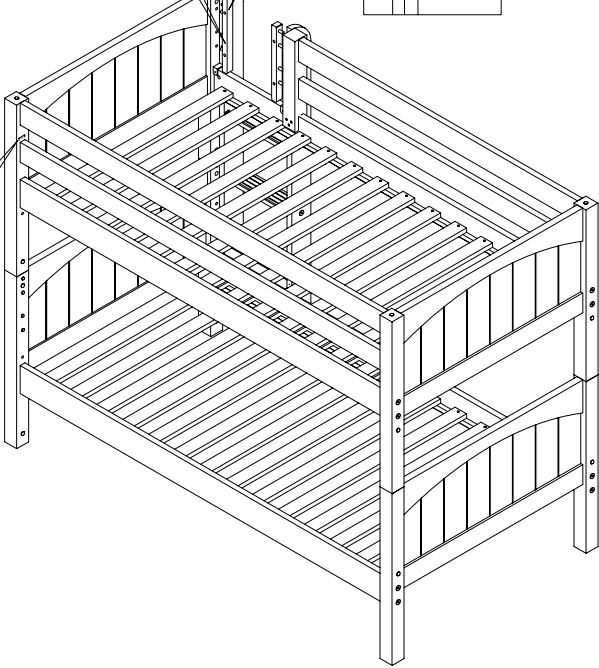
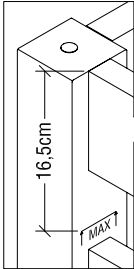
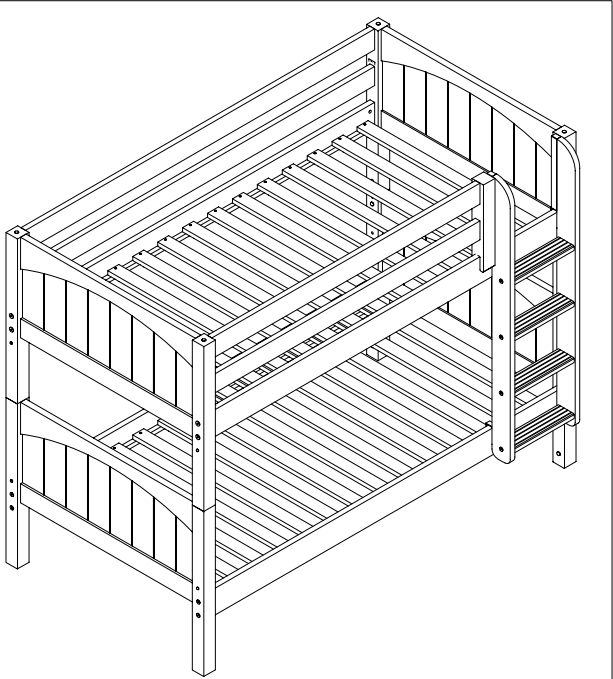
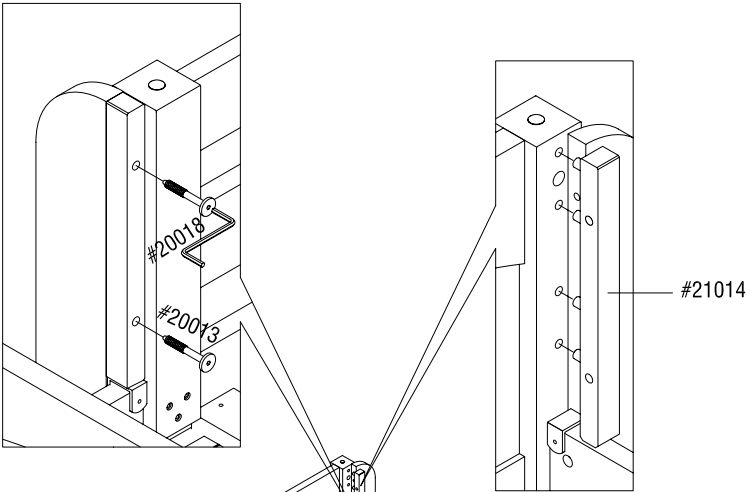
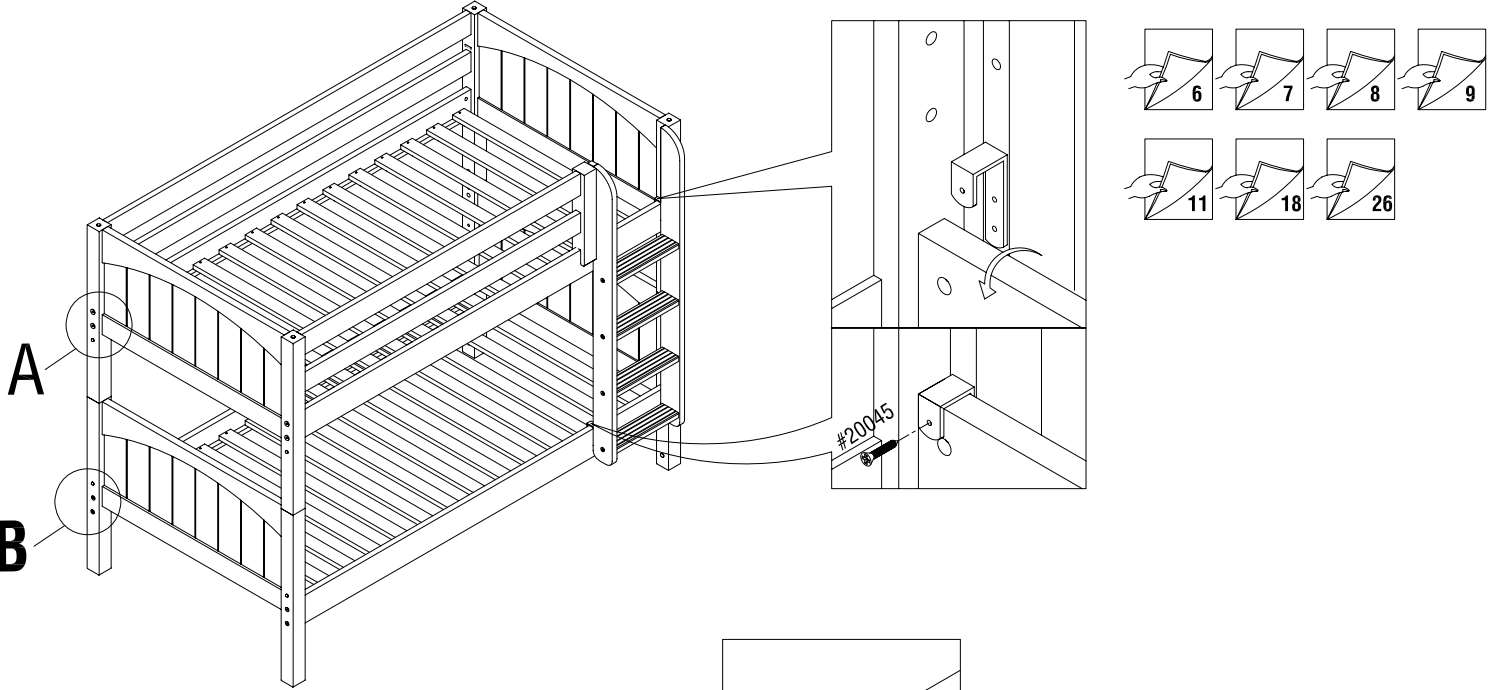
80366627 & 80366628

<p>#21022:left ladder side #21023:right ladder side</p> 	<p>1 x #21022 1 x #21023</p>	<p>#20013: M8 60mm hex bolt #20019: M8 cross dowel</p> 	<p>12 x #20013 8 x #20019</p>	<p>#20010 leg bolt set</p> 	
<p>#21014: thin ladder bracket</p> 	<p>2 x #21014</p>	<p>#20039: J-Hook</p> 	<p>2 x #20039</p>	<p>Leg bolt</p> 	<p>4 x #20010</p>
<p>#21018: Ladder step</p> 	<p>4 x #21018</p>	<p>#20018: Hex wrench 5mm #20042: M5 Drill bit</p> 	<p>1 x #20018 1 x #20042</p>	<p>#20045: 19mm wood screw #20022: 30mm wood screw</p> 	<p>4 x #20045 8 x #20022</p>



ASSEMBLY INSTRUCTION


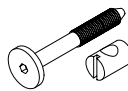
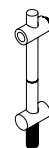
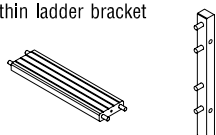
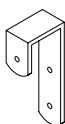




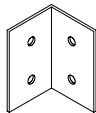


00374192 & 00374202

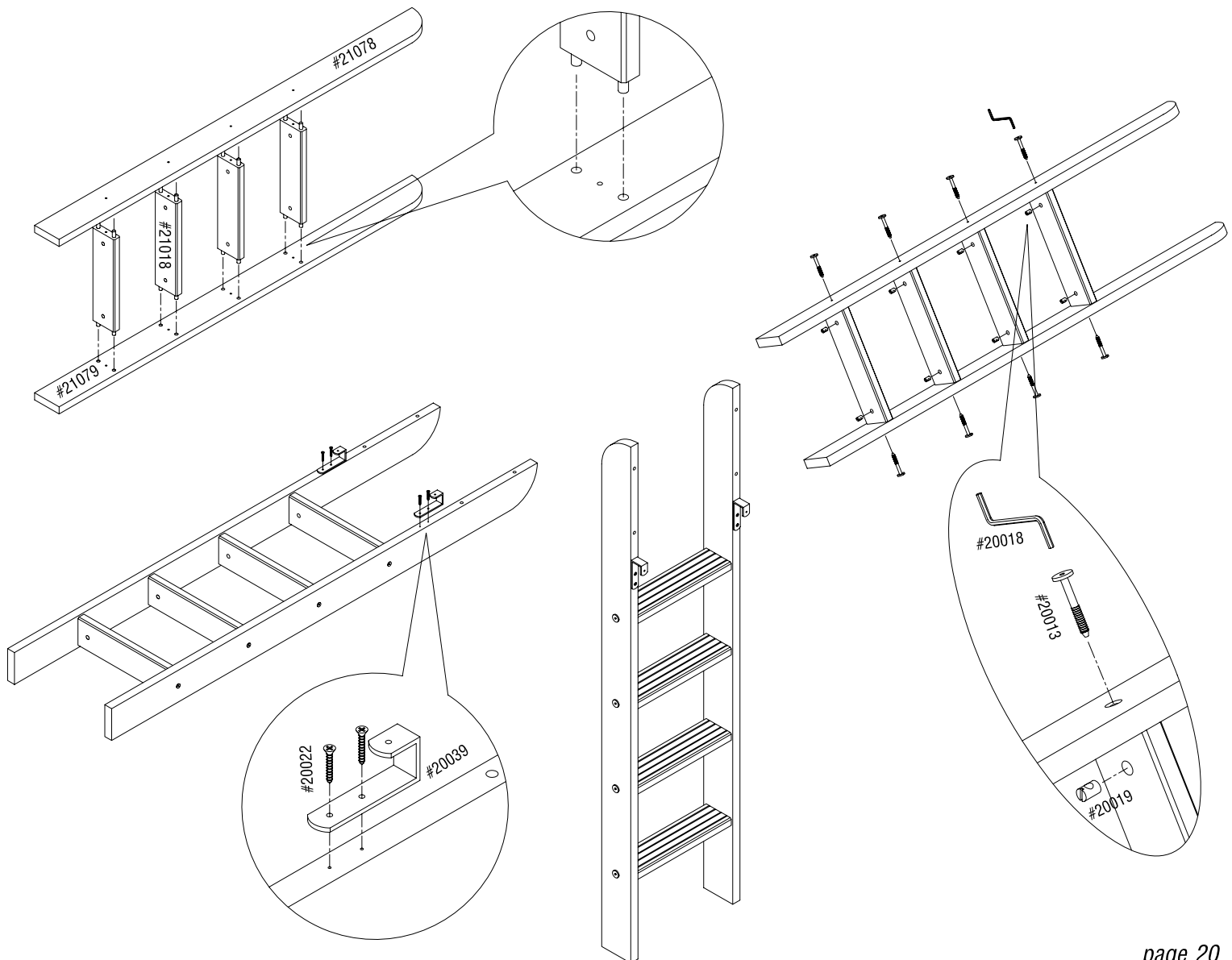


ASSEMBLY INSTRUCTION

80366629 & 80366630

80366629 & 80366630

<p>#21078: left ladder side #21079: right ladder side</p> 	<p>1 x #21078 1 x #21079</p>	<p>#20013: M8 60mm hex bolt #20019: M8 cross dowel</p> 	<p>12 x #20013 8 x #20019</p>	<p>#20010 leg bolt set</p> 	
<p>#21018: Ladder step #21014: thin ladder bracket</p> 	<p>4 x #21018 2 x #21014</p>	<p>#20039: J-Hook</p> 	<p>2 x #20039</p>	<p>Leg bolt</p>  <p>Set screws </p> <p>Cross dowel </p> <p>Cylinder for set screws </p>	<p>4 x #20010</p>
<p>#20021: L-Bracket</p> 	<p>1 x #20021</p>	<p>#20018: Hex wrench 5mm #20042: M5 Drill bit</p> 	<p>1 x #20018 1 x #20042</p>	<p>#20045: 19mm wood screw #20022: 30mm wood screw</p> 	<p>6 x #20045 4 x #20022</p>



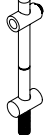

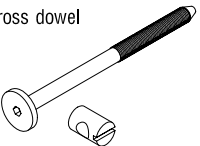




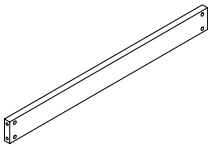

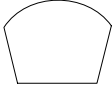


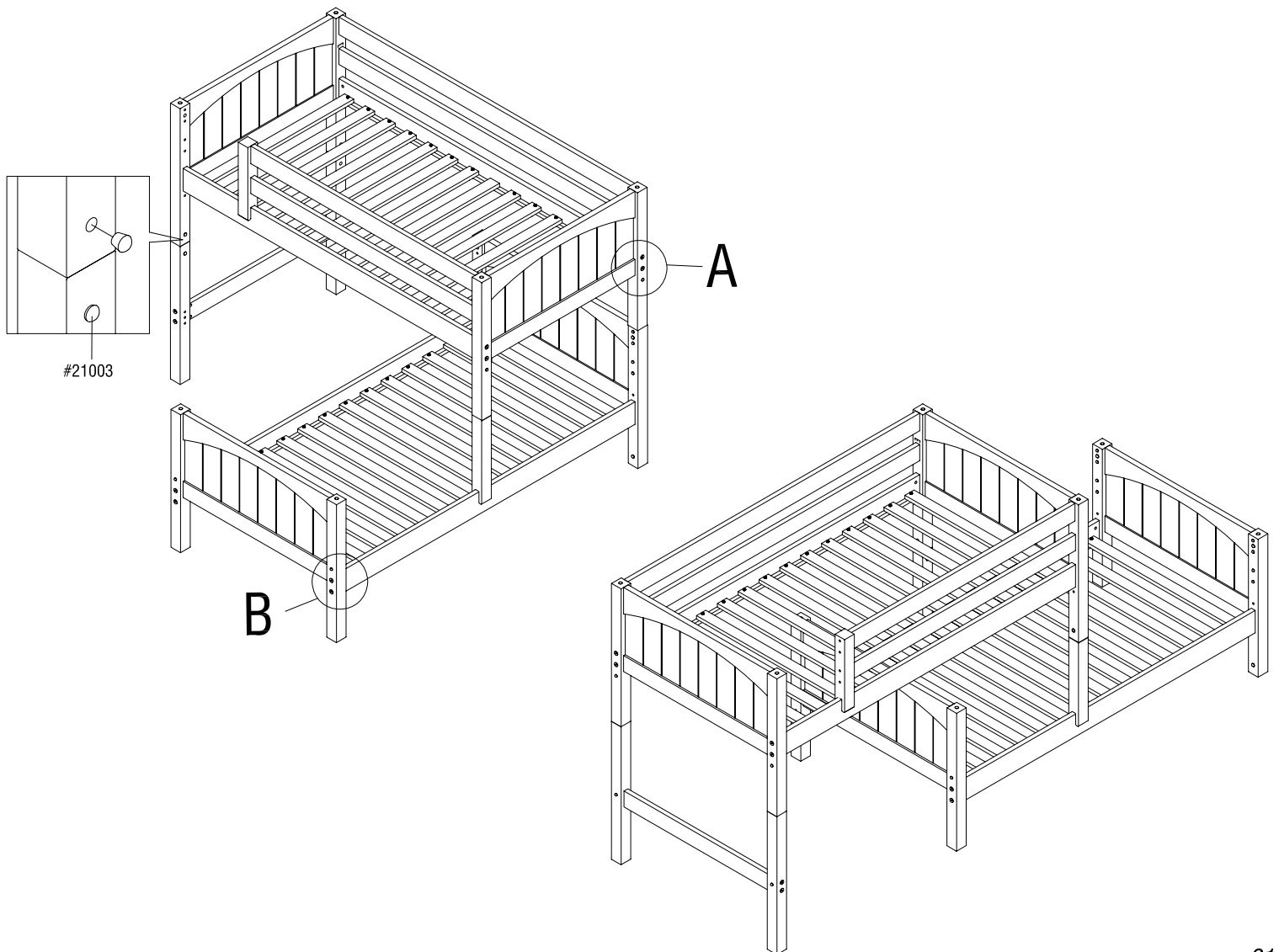
ASSEMBLY INSTRUCTION

80366631 & 80366632

(L SHAPE)

80366631 & 80366632

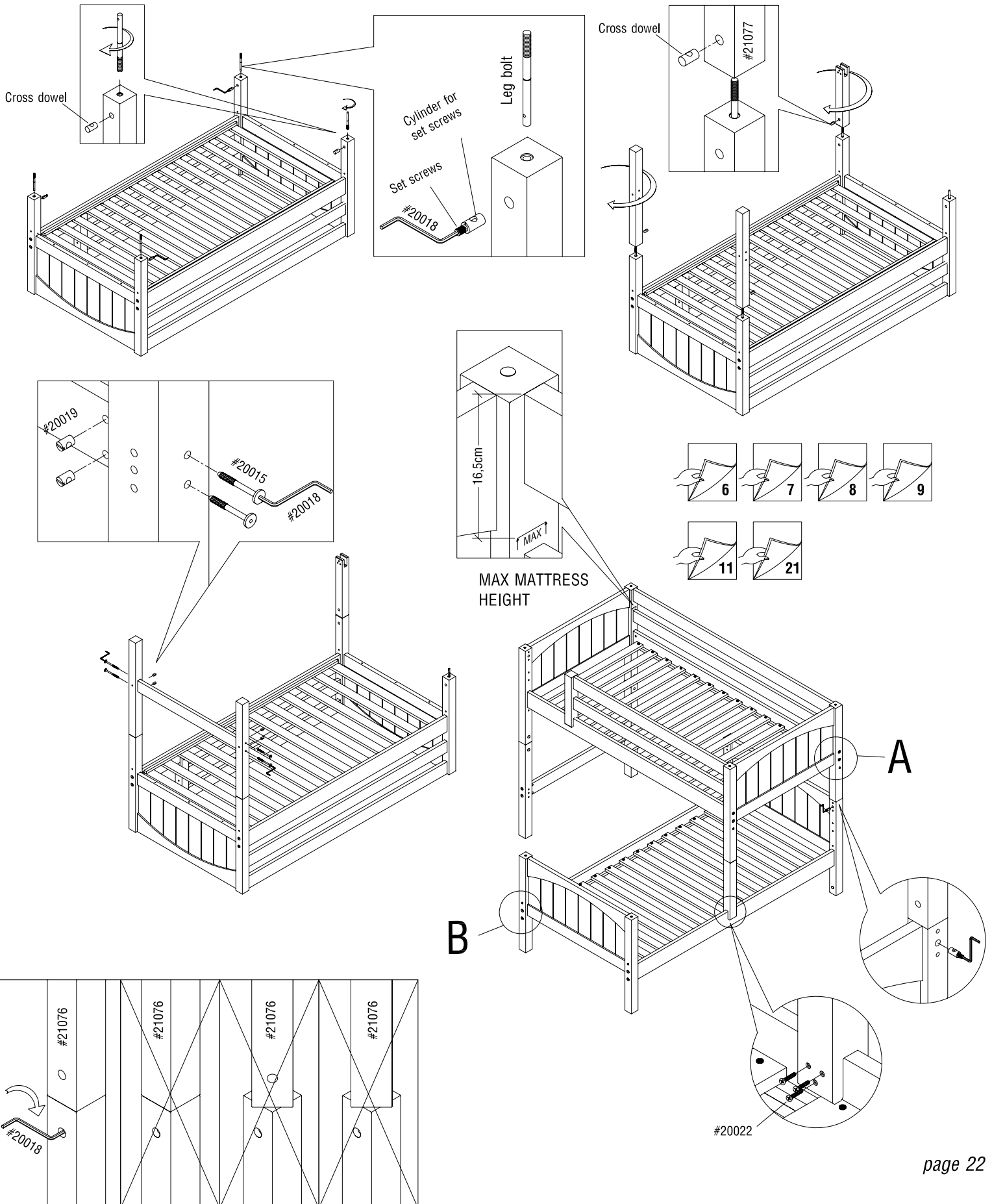
#21076: Mid High Loft Leg 	2 x #21076	#20018: 5M hex wrench 	1 x #20018	#20010 leg bolt set 	
#21077: Support leg for L-/Parallel bunk kit 	2 x #21077	#20015: M8 110mm hex bolt #20019: M8 cross dowel 	4 x #20015 4 x #20019	Leg bolt  Set screws  Cross dowel  Cylinder for set screws 	4 x #20010
#21094: Short cross member 	1 x #21094	#20022: 30mm wood screw 	6 x #20022	#21003: 17mm Wedge shaped Mushroom Plugs 	4 x #21003



ASSEMBLY INSTRUCTION

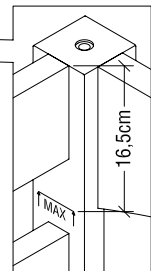
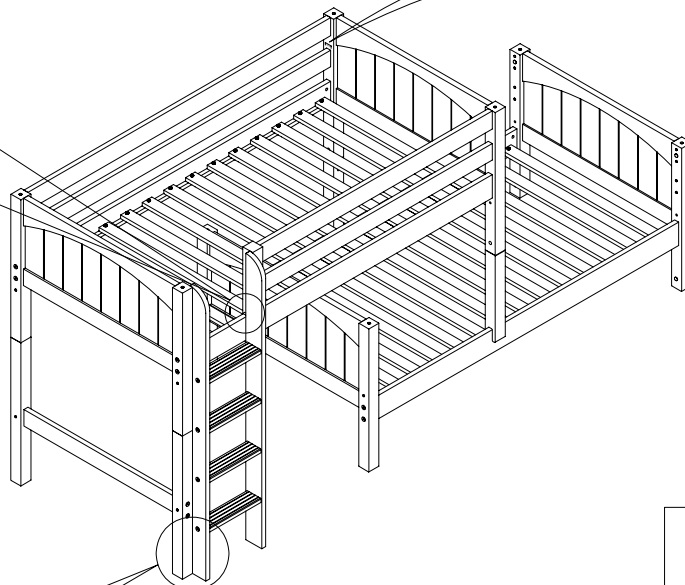
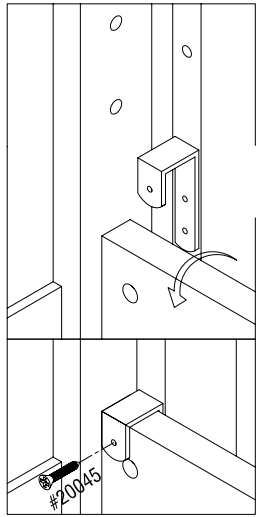
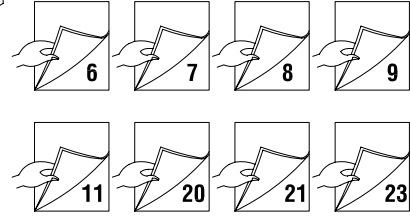
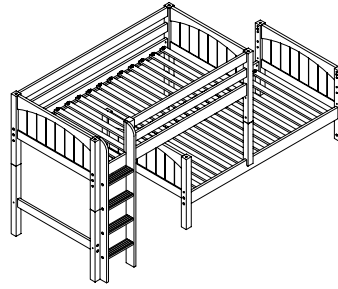
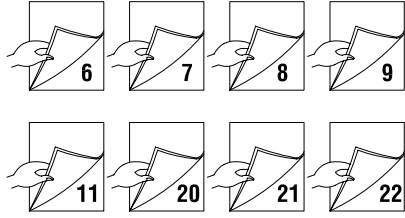
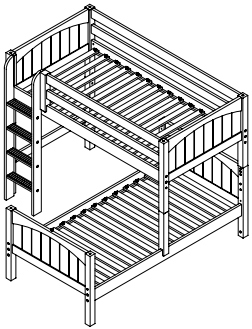
80366631 & 80366632

(PARALLEL)

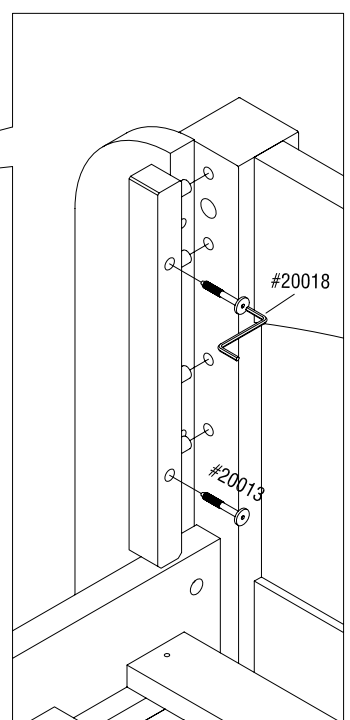
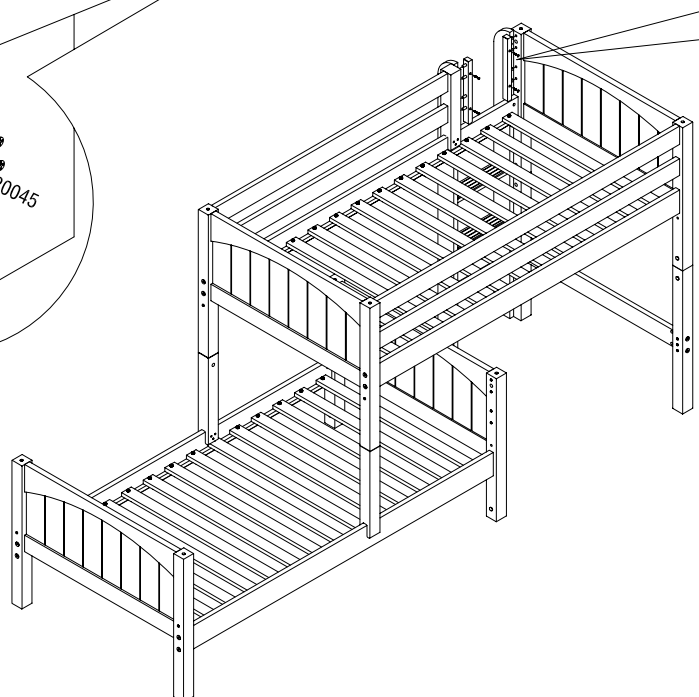
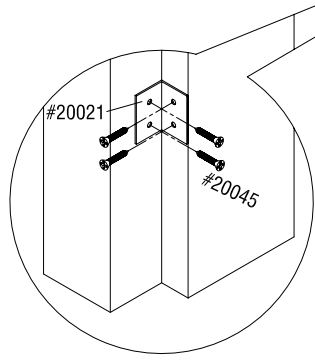


ASSEMBLY INSTRUCTION

00374193 & 00374203

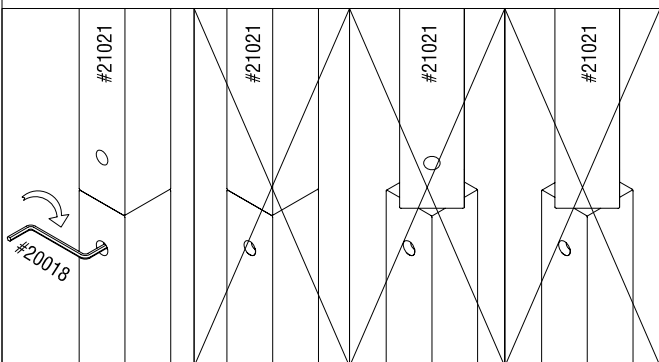
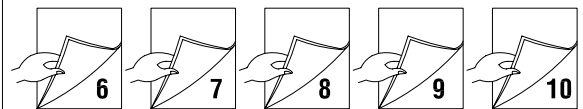
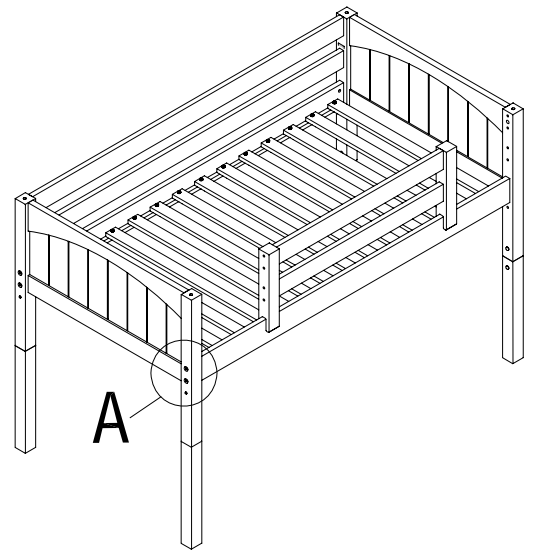
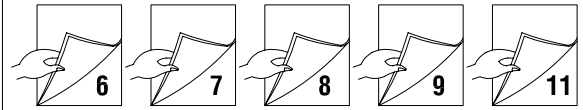
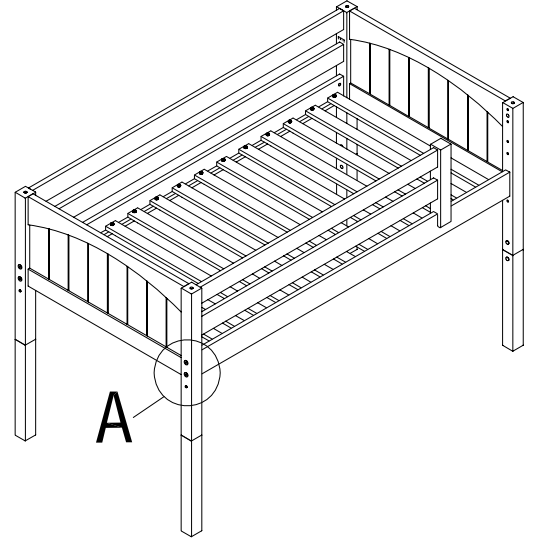
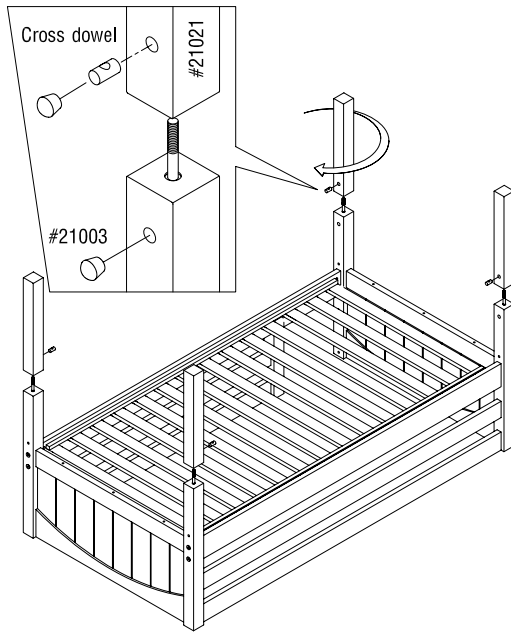
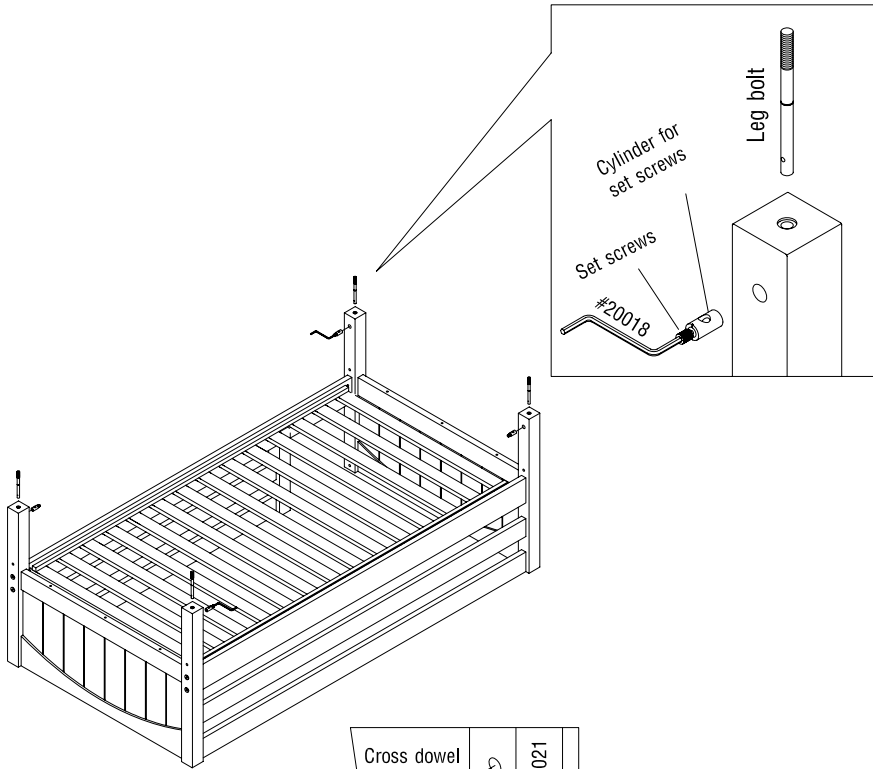


MAX MATTRESS HEIGHT



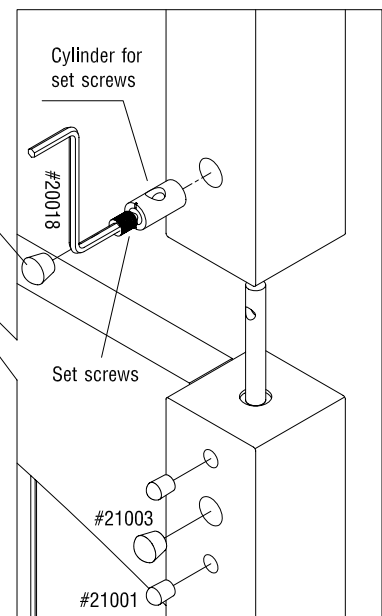
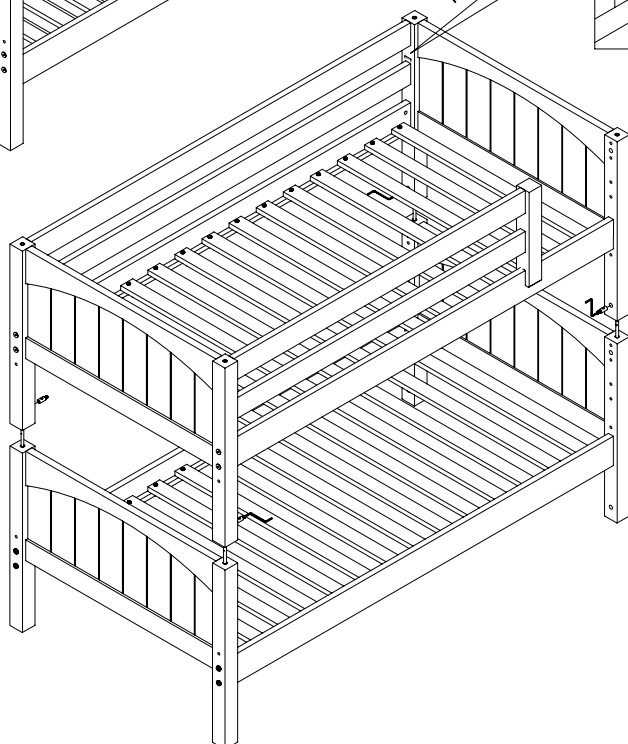
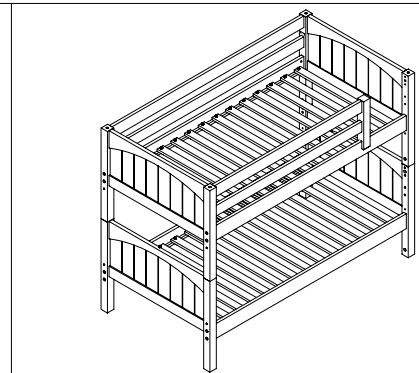
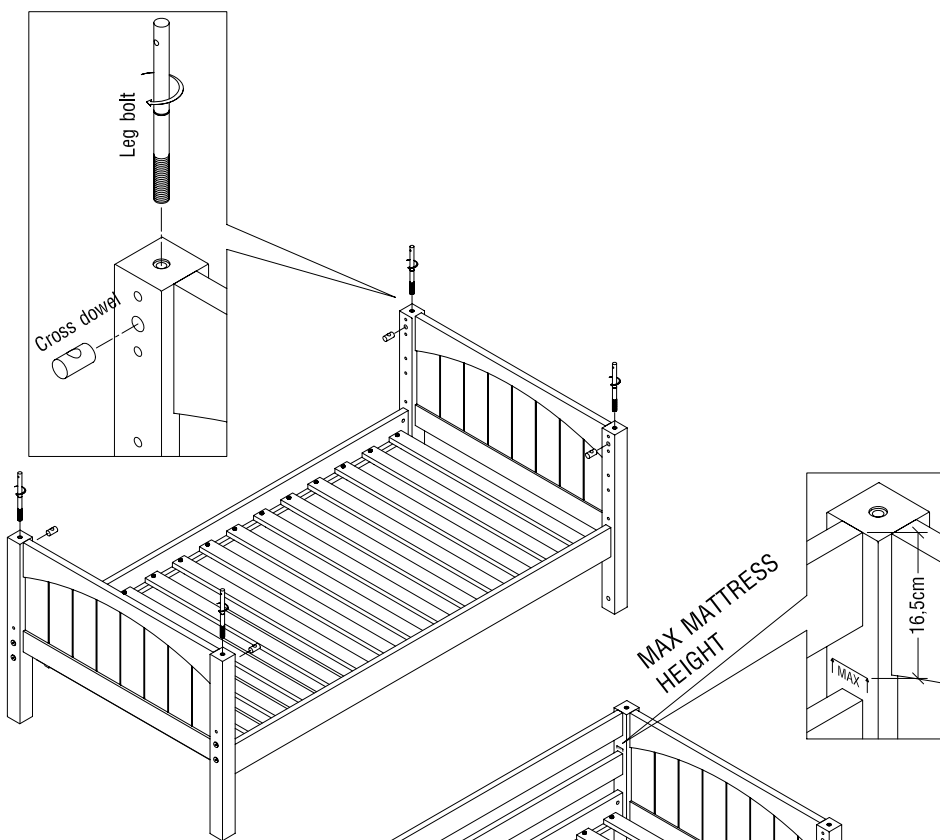
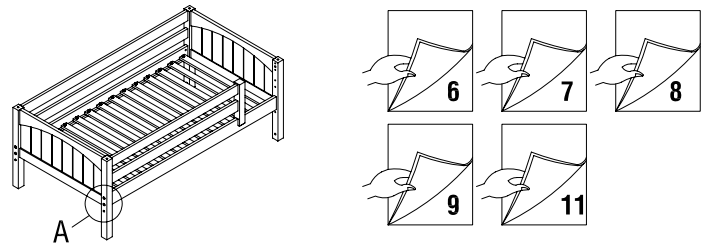
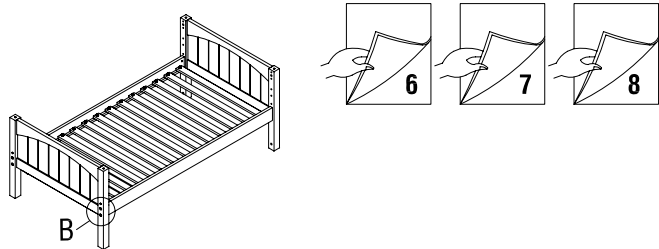
ASSEMBLY INSTRUCTION

(LOW LOFT LEG)



ASSEMBLY INSTRUCTION

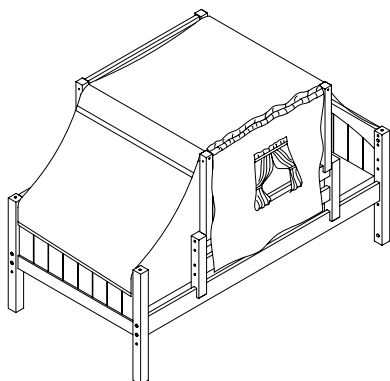
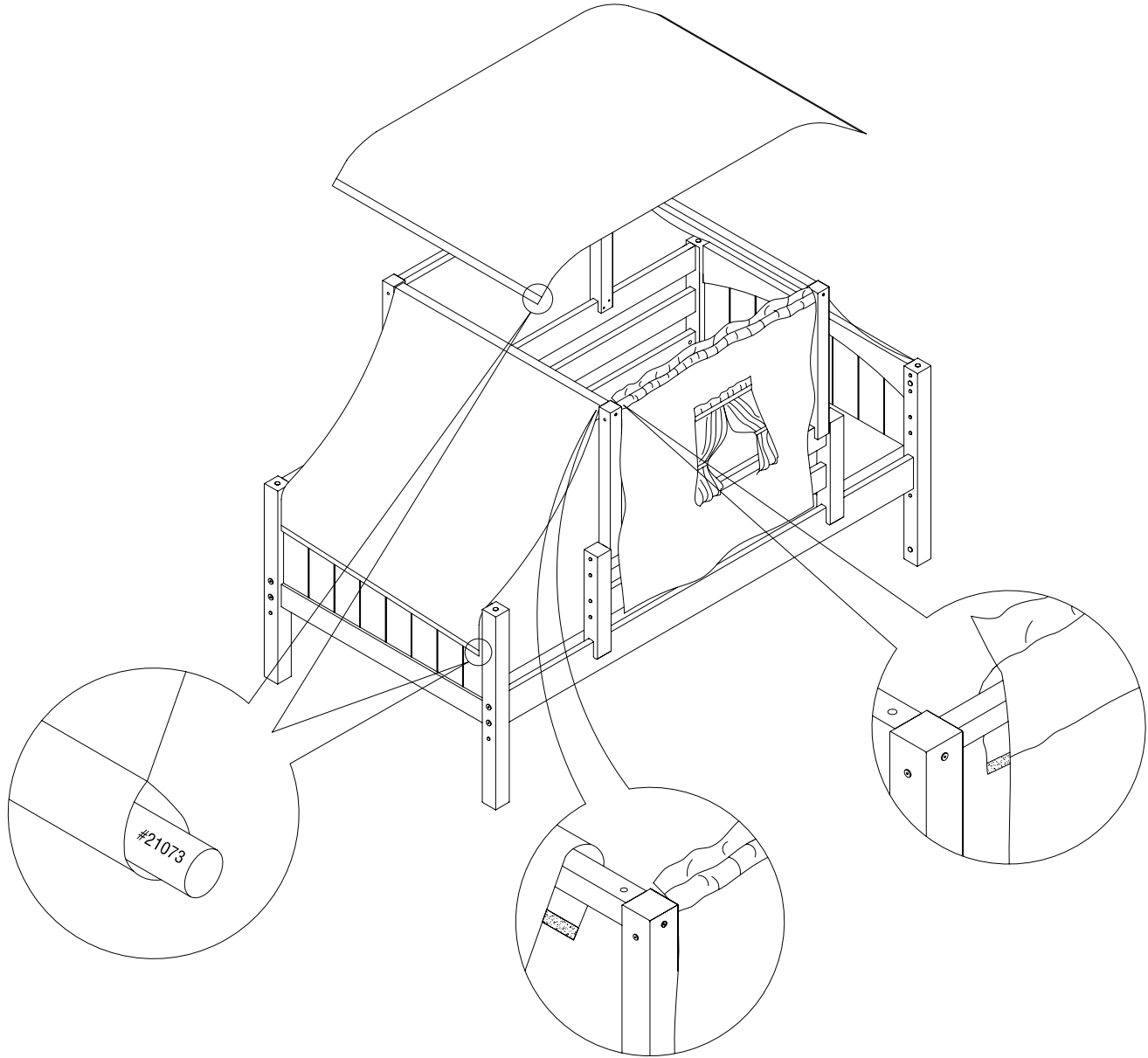
(LOW BUNK BED)



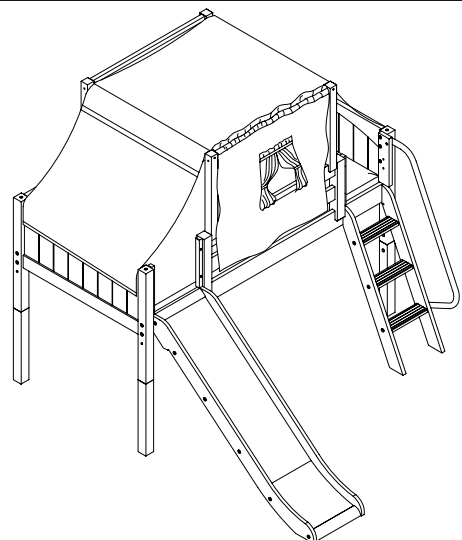
ASSEMBLY INSTRUCTION

00374188 & 00374198

80366614 & 80366615



CE

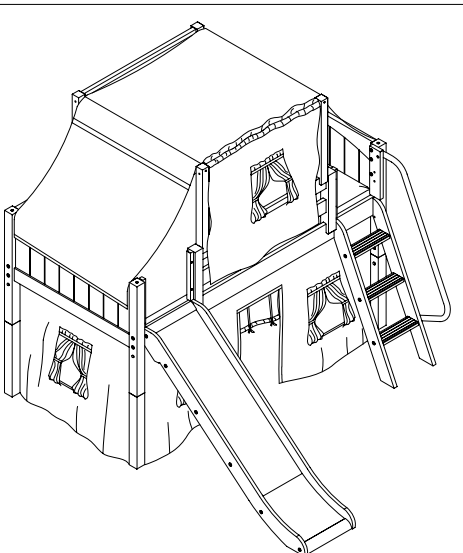
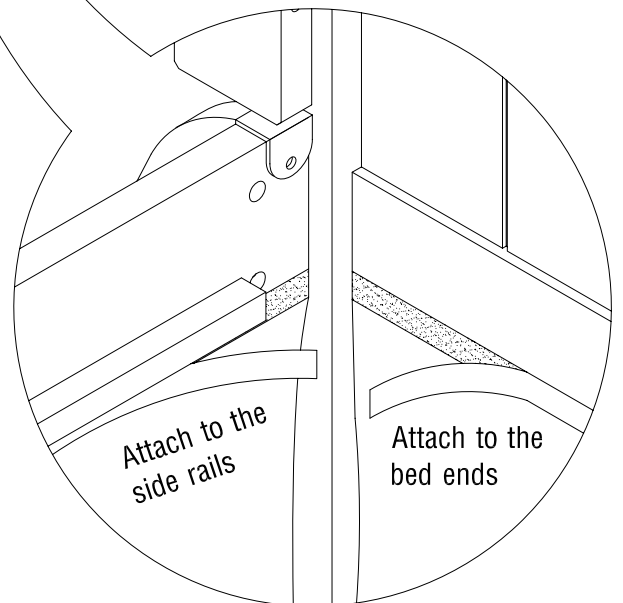
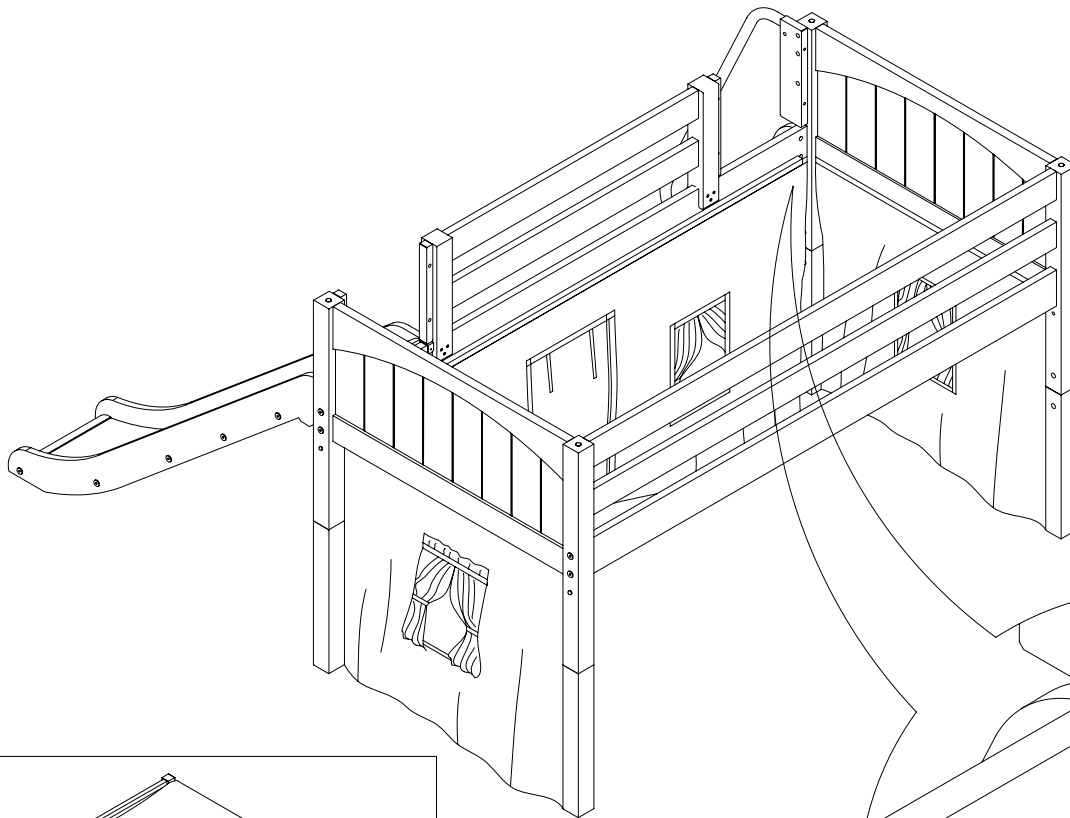
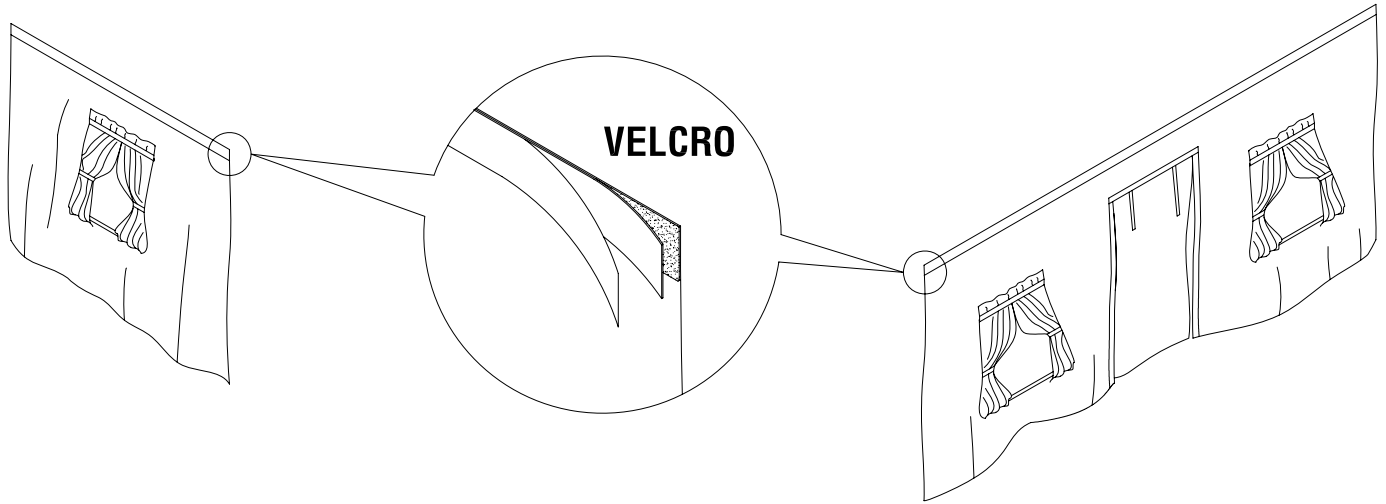


ASSEMBLY INSTRUCTION

00374190 & 00374200

CE

80366619 & 80366620



<p>GB IMPORTANT, RETAIN FOR FUTURE REFERENCE, READ CAREFULLY.</p>	<p>D WICHTIGER HINWEIS, BITTE SORGFÄLTIG DURCHLESEN UND ZUM NACHSCHLAGEN AUFBEWAHREN.</p>	<p>F IMPORTANT. A CONSERVER ET LITRE SOIGNEUSEMENT.</p>	<p>DK VIGTIGT, BØR GEMMES TIL FREMTIDIG BRUG, LÆS OMHYGGELIGT.</p>	<p>E IMPORTANTE, CONSERVAR PARA FUTURA REFERENCIA. LEER CON ATENCIÓN.</p>	<p>NL BELANGRIJK ZORGVULDIG DOORLEZEN EN BEWAREN ALS NASLAGWERK.</p>	<p>I N.B. TENERE A PORTATA DI MANO, LEGGERE CON ATTENZIONE.</p>
<p>ASSEMBLY: Current legislation requires that a bunk bed must be fitted with 4 safety-rails and a ladder or platform for the upper bunk bed. The bunk bed meets the European EN747-2007 standards for safety and durability.</p> <hr/> <p>MATTRESS: This bed is designed to use a mattress size 190cm long x 90cm wide. The total thickness must not exceed 26cm. The mattress top must not pass the marking on the post of the bed end.</p> <hr/> <p>IMPORTANT: Do not use bed if any structural part is broken or missing. High beds and upper bed of bunk beds are not suitable for children under 6 years due to the risk of injury from falling. Be aware that children can strangle in items such as ropes, strings, cords, harnesses and belts attached to or hung on a bunk/high bed.</p> <hr/> <p>WARNING: Children can become entrapped between the bed and the wall. To avoid risk of serious injury the distance between the top safety barrier and the wall shall not exceed 75mm or shall be more than 230mm.</p> <hr/> <p>MAINTENANCE INSTRUCTIONS: Cleaning with a wet cloth, use a sponge with soap to remove obstinate dirt. Avoid a solvent and dilutions. Screws and bolts should from time to time be retightened.</p>	<p>MONTAGE: Das Oberbettes Etagen bettes muss laut Gesetz mit 4 Absturzsicherungen un einer Leiter oder Plattform ausgerüstet sein. Das Etagenbett entspricht den euroropäischen EN747-2007 Sicherheits- und Haltbarkeits standard.</p> <hr/> <p>MATRATZE: Dieses Bett ist für Matratzen in 190cm Länge und 90cm Breite geeignet. Die Maximaldicke der verwendeten Matratze darf 26cm nicht überschreiten. Die Matratzenoberseite darf nicht über die im Bettgiebel aufgebrachte Markierung der max. Matratzenhöhe hinausragen.</p> <hr/> <p>WICHTIGER HINWEIS: Es besteht die Gefahr, dass insbesondere jüngere Kinder (unter 6 Jahren) aus dem oberen Bett herausfallen könnten. Verwenden Sie das Bett nicht, wenn Teile gebrochen sind oder fehlen. Kleine Kinder können sich in Seilen, Fäden, Schnüren, Stricken, Gurten – welche and einem Etagen- oder Hochbett angebracht sind verfangen, und in schlimmsten Fall erhängt.</p> <hr/> <p>WARNHINWEIS: Kinder können zwischen dem Bett und der Wand eingeklemmt werden. Um ernste Verletzungsgefahr zu vermeiden, darf der Abstand zwischen der Oberkante der Absturzsicherung und der Wand höchstens 75mm betragen oder der Abstand muss grösser als 230mm sein.</p> <hr/> <p>PFLEGEHINWEIS: Pflege mit einem feuchten Lappen. Für hartnäckigen Schmutz empfehlen wir einsem Schwamm mit Seife. Vermeiden Sie Lösungsmittel und Verdünnungsmittel. Schrauben und Bolzen solten regelmässig nachgezogen werden.</p>	<p>LE MONTAGE: Aux termes de la législation les lits superposes doivent comporter une échelle ou une plate-form anise que 4 barrières de sécurité pour le lit supérieur. Les lits superposés sont conformes à la norme européenne EN747-2007 de sécurité et de durabilité.</p> <hr/> <p>MATELAS: Ce liy est conçu pour un matelas 190cm larguer 90cm. L'épaisseur totale ne doit pas exc éder 26cm. La partie supérieure de matelas ne doit pas dépasser la marque positionnée sur la tête de lit.</p> <hr/> <p>IMPORTANTE: Attention pour les enfants ages de moins de 6 ans pouvant tomber du lit supérieur. Ne pas utiliser le lit si certaines pieces de la structure sont cassées ou manquantes. A noter que des éléments tels que les cordes, ficelles, harnals, fils divers, ceintures, lorsqu'ils sont attachés aux lits superposes ou tout autre lit surélevé, peuvent être dangereux à cause d'un risqué de strangulation pour l'enfant.</p> <hr/> <p>ATTENTION: L'enfant peut être coincé ou piégé entre le lit et le mur. Afin d'éviter tout risque de blessures sérieuses, la distance entre la barrière de sécurité supérieure et le mur ne doit pas pas dépasser 75mm ou bien doit être supérieure à 230mm.</p> <hr/> <p>CONSEILS D'ENTRETIEN: Entretenir avec un chiffon humide pour la poussière – les tâches rebelles s'enlèvent avec une éponge légèrement savonneuse. Eviter tous solvant et diluants. Votre lit doit être vérifié périodiquement afin de resserer les vis.</p>	<p>MONTERING: Etagesengen skal iflg. lovgivningen være forsynet med 4 sengeheste og en stige eller platform til øverste leje. Etagesengen overholder de europæiske EN747-2007 standarder for sikkerhed og holdbarhed.</p> <hr/> <p>MADRASSEN: Denne seng er designet til en madras størrelse på 190cm lang og 90cm bred. Den totale tykkelse må højest være 26cm. Madrassens øverste kant må ikke overskride markeringen på stolpen af senge gavlen.</p> <hr/> <p>VIGTIGT. Vær opmærksom på faren for at børn under 6 år kan falde ned, når de benytter overkøjen. Vær opmærksom på at børn kan blive kvalt i dele som reb, snore, liner, seler og bæltter som er fastgjort eller hængt på køje/høj sengen. Brug ikke sengen hvis der er fejl eller mangler.</p> <hr/> <p>ADVARSEL. Børn kan komme i klemme mellem sengen og væggen. For at undgå alvorlige skader skal afstanden mellem toppen af sengehesten og væggen ikke overstige 75mm eller skal være større end 230mm.</p> <hr/> <p>RÅD OM VEDLIGEHOLDELSE. Tør af med en fugtig klud. Evt. Større pletter fjernes med en fugtig svamp med sæbe. Undgå opløsningsmidler. Skruer og bolte bør efterspændes med jævne mellemrum.</p>	<p>MONTAJE: Según la ley litera tiene que llevar 4 barreras de seguridad y una escalera o plataforma para la cama más alta. La litera cumple EN747-2007 la regal standard europea de seguridad y durabilidad.</p> <hr/> <p>COLCHON: Esta cama está diseñada para usar un colchón de 190cm de largo y de 90cm de ancho. El grosor total no debe superar los 26cm. La parte superior del colchón no debe superar la marca en el poste de cabecero de cama.</p> <hr/> <p>IMPORTANTE: Tenga cuidado con los niños más pequeños (menos de 6 años) para que no se caigan desde la cama superior. No usar la cama si cualquier parte structural está rota o falta. Los niños se pueden asfixiar con artículos que estén fijados a colgados en la litera o cama alta, cinturones, arneses y otras sujeciones.</p> <hr/> <p>PRECIACIÓN: Los niños pueden quedarse atrapados entre la cama y la pared. Para evitar este riesgo la distancia ente la barrera de seguridad superior y la cama debe ser menor de 75mm o mayor de 230mm.</p> <hr/> <p>CONSEJO PARA LA CONSEVACION: Lim piar con un paño húmedo. Para quitar manchas mas grandes usar una esponja con jabón. Evitar usar productos quimicos. Las herrajes necesitan opretarse a veces.</p>	<p>MONTAGE: De huldige weginge eist dat het bovenste bed van een stapelbed voorzien moet zijn van 4 uitvalbeveiligingen en een ladder of platform. Het stapelbed voldoet aan de veiligheidsduurzaamheidseisen volgens EN747-2007.</p> <hr/> <p>MATRAS: Dit bet is ontworpen voor het gebruik van een matras met de maten 190cm lang en 90cm breed. De totale hoogte van het matras mag de 26cm niet overschrijden. De bovenkant van het matras mag niet boven de markering uitkomen zoals aangegeven op de staander van de bed.</p> <hr/> <p>BELANGRIJK: Pas op voor her gevaar dat jonge kinderen (onder 6 jaar) niet van het bovens te bed vallen! Gebruik het bed niet als er een essentieel onderdeel is gebroken of mist. Wees alert op dat kinderen verstrikt kunnen raken in voorwerpen zoals touwen, strikken, koorden, tuigjes en riemen de bevestigd zijn of hangen aan een stapelbed c.q. een hoogbed.</p> <hr/> <p>WAARSCHUWING: Kinderen kunnen beklemd raken tussen het bed en de muur. Om het risico op ernstige verwondingen te voorkomen, mad de afstand tussen de bovenkant van de uitvalbeveiliging en de muur niet groter zijn dan 75mm of de afstand moet groter zijn dan 230mm.</p> <hr/> <p>ONDERHOUD: Reinigen met en vochtige doek. Hardnekkig vuil verwijderen met een spons en zeep. Vermijd oplossen verdunningsmiddelen. Schroeven en moeren regelmatig aandraaien.</p>	<p>MONTAGGIO: Secondo de leggi vigenti il letto superiore del letto a castello necessita una scaletta o piattaforma e 4 sponde di sicurezza. Il letto a castello è conforme alle norme standard europee EN747-2007 riguardo a sicurezza e durata.</p> <hr/> <p>MATERASSO: Questo letto è concepito per I materassi di 190cm, larghezza 90cm. Lo spessore totale non deve oltrepassare 26cm. La parte superiore del materasso non deve andare oltre il marchio posizionato sulla testa del letto</p> <hr/> <p>IMPORTANTE: Attenzione ai bambini di meno di 6 anniche possono cadera dal letto superiore. Non suare il letto se alcuni pezzi della struttura sonno rotti o mancanti. Da notare che alcuni elementi come per esempio corde, stringhe, briglie, cinture, quando sono attaccate al letto a castello o qualsiasi altro letto elevato, possono essere pericolosi a causa di un rischio di strangolamento per il bambino.</p> <hr/> <p>ATTENZIONE: Il bambino può rimanere intrappolato tra il letto e il muro. Per evitare qualsiasi rischio di ferita seria, la distanza tra las sponda di sicurezza superiore e il muro deve essere inferiore a 75mm o deve essere superiore a 230mm.</p> <hr/> <p>CONSIGLI PER LA MANUTENZIONE: Pulir con un panno umido usare un spugna impregnate di sapone per togliere lo sporco persistente. Evitar e l'uso di prodotti chimici. Dadi e viti sono, di tanto e tanto, da ri-avvitare.</p>