

John Lewis

cooking and
integrated appliances

John Lewis Appliances
Thoughtfully designed for you

Our new range of John Lewis Home Appliances are thoughtfully designed for you, combining the latest technology with smart features that make a real difference – and make your life that little bit easier.

You'll find the great value, performance and quality you'd expect from us, as well as lots of thoughtful touches.

Because we know that energy efficiency matters to you, all our ovens are A rated or above, costing less to run while being more environmentally responsible. And, as ever, all your appliances come with a guarantee included at no extra cost. Please check online or in-store for full details. We can look after the little details too, with a range of extra services including installation and door adjustments for your new appliance, and disposal and recycling of your old one.

Need a little help bringing your dream kitchen to life? Discover our expert fitted kitchen service, which takes care of everything, from planning and design to installation. To find out more, see page 87 or go online at johnlewis.com.

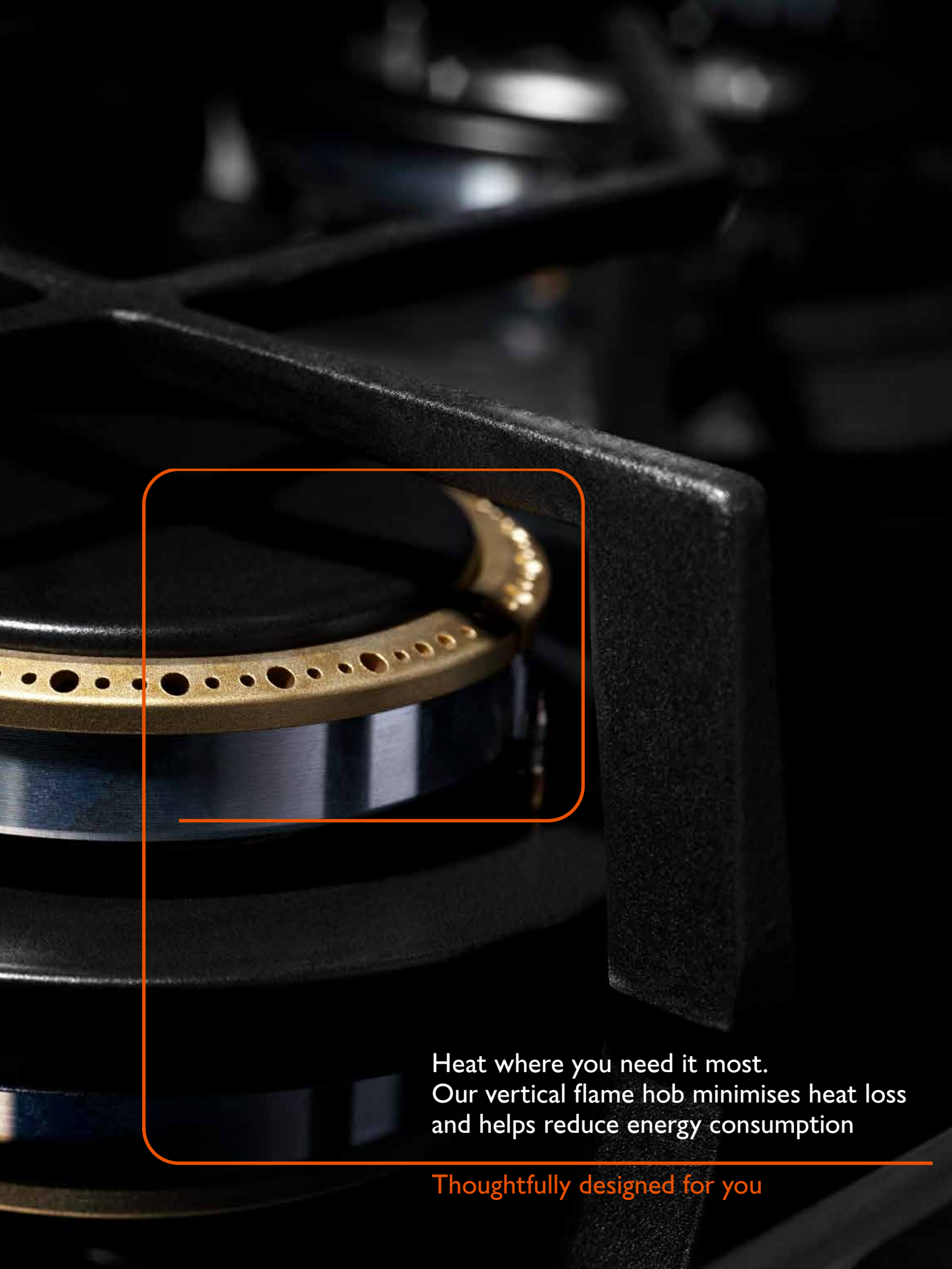
Cooking	2
Built-in single ovens	4
Built-in double ovens	10
Microwaves	12
Hobs	16
Cooker hoods	22
Freestanding cooking	34
Refrigeration	42
Wine cabinets	52
Washing	56
Dishwashers	58
Washing machine	60
Installation diagrams	62

Cooking appliances

More efficient, easier to look after and with new, helpful, everyday features to make the most of your time in the kitchen, each of our ovens and hobs is designed with you in mind.

Think hobs with induction zones for fast, even heating, ovens with steam cooking to keep the taste and goodness in, touch controls and digital displays for more accurate cooking, plus self-cleaning ovens, for one less job to do.

And, because sometimes you want the best of both worlds, we've designed new dual fuel models, too. Complete the look with our range of stylish, high-performance cooker hoods and you're ready to get creative in the kitchen.



Heat where you need it most.
Our vertical flame hob minimises heat loss
and helps reduce energy consumption

Thoughtfully designed for you

John Lewis
electric single oven
 JLBIO5621
 Stock number 890 30221

£349

A perfect starter oven, this compact and efficient built-in design offers excellent value, has easy-to-use dial controls and a range of useful everyday cooking modes.

Dimensions
 H59.4 x W59.4 x D56.7cm

Aperture Required
 H59 x W56 x D55cm

Controls
 Rotary controls

Oven Lining
 Enamel

Cooking Modes
 Defrost
 Grill
 Fast grilling
 Fan cooking
 Turbo grilling

Additional Features
 Triple glazed door
 Minute minder

Performance
 Energy rating A
 Oven capacity 70L,

Connection Information
 Required fuse 16 Amp
 Total electricity loading 3480w

Accessories Included
 1x Dripping pan grey enamel
 1x Trivet chromed
 2x Wire shelves chromed



John Lewis
electric single oven
 JLBIO5622
 Stock number 890 30222

£399

This sleek, single oven is packed with smart features to make cooking – and clearing up afterwards – easier than ever.

When used at a high heat, this oven's catalytic lining disperses any splashes of grease and fat for hassle-free cleaning, while the exterior is easier to use and look after, too, thanks to push buttons and an anti-fingerprint stainless steel finish and the doors soft-close design ensures a smooth, easy action.

Dimensions
 H59.4 x W59.4 x D56.7cm

Aperture required
 H59 x W56 x D55cm

Controls
 Push in and pop out rotary controls

Oven lining
 Catalytic

Cooking modes
 Defrost
 Grill
 Fan cooking
 Fast grilling

Additional features
 Soft close door
 Fully programmable timer
 Triple glazed door

Performance
 Energy rating A+
 Oven capacity 70L
 Oven cavity classification large

Connection information
 Required fuse 16 amps
 Total electricity loading 3480W

Accessories included
 1x dripping pan
 1x chrome trivet
 2x chromed wire shelves



John Lewis
electric single oven
 JLBIO5623
 Stock number 890 30223

£499

Our new, self-cleaning oven gives you one less job to do. Pyrolytic technology transforms splashes of grease to dust, which can be easily swept out, while the oven's push-button controls are easy to clean, too.

The smooth-action, soft-close door makes taking things in and out of the oven quick and simple, and is quadruple glazed to help keep the exterior cool – perfect for kitchens with little ones running around.

Dimensions
 H59.4 x W59.4 x D56.7cm

Aperture required
 H59 x W56 x D55cm

Controls
 Push in and pop out rotary controls

Oven lining
 Pyrolytic

Cooking modes
 Bottom heat
 Conventional cooking
 Defrost
 Grill
 Fast grilling
 Pizza cooking
 Fan cooking
 Turbo grilling

Additional features
 Soft close door
 Fully programmable timer
 Quadruple glazed door

Performance
 Energy rating A+
 Oven capacity 70L
 Oven cavity classification large

Connection information
 Required fuse 16 amps
 Total electricity loading 3480W

Accessories included
 1x dripping pan
 1x chrome trivet
 2x chromed wire shelves



John Lewis
electric multi-function single oven
 JLBIO5617
 Stock number 890 30212

£629

This oven's pyrolytic lining puts an end to messy oven cleaning, instantly burning grease to dust which can simply be swept out.

There are plenty of features to help out with your cooking, too, such as a handy meat thermometer for rustling up the perfect roast. Plus, smooth, telescopic runners make it quick and simple to check on what's inside, and take food in and out.

Dimensions
 H59.4 x W59.4 x D56.7cm

Aperture required
 H59 x W56 x D55cm

Controls
 Touch controls

Oven lining
 Pyrolytic

Cooking modes
 Bottom heat
 Bread baking
 Browning
 Conventional / traditional cooking
 Defrost
 Dough proving
 Drying
 Eco roasting
 Fast grilling
 Frozen foods
 Grilling
 Keep warm
 Low temperature cooking / slow cooking
 Pizza setting
 Plate warming
 Preserving
 True fan cooking
 Turbo grilling

Additional features
 Food probe
 Soft close door
 Fully programmable timer
 Quadruple glazed door

Performance
 Energy rating A-20%*
 Oven capacity 74L
 Oven cavity classification large
 *Saving 20% more energy (only 0,79 kWh) versus the given threshold value (<1,0 kWh) of the EU standard (DIN EN 50304/ DIN EN 60350)

Connection information
 Required fuse 16 amps
 Total electricity loading 3500W
 Accessories included
 1x dripping pan
 1x chrome trivet
 2x chromed wire shelves
 Telescopic runners



John Lewis
electric multi-function oven with steam

JLBIOS625
Stock number 890 60225

£729

For one less job to do in the kitchen, this oven's self-cleaning, pyrolytic interior burns grease to dust, making it easy to simply sweep out. Plus, it comes with a host of clever cooking features to help you perfect your favourite dishes, too.

This oven offers steam dedicated programmes that add 25% steam to the cooking process that gives great tasting and wonderfully juicy results. A handy meat thermometer tells you exactly when it's ready and telescopic runners make checking on your cooking – and taking it out once it's done – quick and easy.

Dimensions

H59.4 x W59.4 x D56.8cm

Aperture required

H60 x W56 x D55cm

Controls

Touch controls

Oven lining

Pyrolytic

Cooking modes

Bottom heat
Bread baking
Browning
Conventional / traditional cooking
Defrost
Dough proving
Drying
Eco roasting
Fast grilling
Frozen foods
Grilling
Keep warm
Low temperature cooking / slow cooking
Pizza setting

Plate warming
Preserving
Quarter steam and heat
Steam reheating
True fan cooking
Turbo grilling

Additional features

Soft close door
Fully programmable timer
Quadruple glazed door

Performance

Energy rating A+
Oven capacity 72L
Oven cavity classification large

Connection information

Required fuse 16 amps
Total electricity loading 3380W
Accessories included
1x dripping pan
1x chrome trivet
2x chromed wire shelves
Telescopic runners



John Lewis
electric double oven
 JLBIDO915X
 Stock number 890 40209

£749

The fan-assisted, main oven ensures even cooking results on every shelf, quickly sealing food and reducing flavour crossover between dishes, while the telescopic runners make getting individual dishes in and out quick and easy. The second oven is perfect for when you need a little extra cooking capacity, or a perfect energy-saving option for preparing smaller meals.

Dimensions
 H88.8 x W59.4 x D54.8cm

Aperture required
 H87.5 x W56 x D55cm

Controls
 Touch controls

Oven lining
 Catalytic

Cooking modes (top oven)
 Bottom heat
 Grill
 Fast grilling
 Conventional cooking
 Keep warm

Cooking modes (main oven)
 Bottom heat
 Grill
 Fast grilling
 Turbo grilling
 Slow cooking
 Fast heat-up
 Defrost
 Fan cooking
 Pizza cooking
 Conventional cooking
 Keep warm

Additional features
 Fully programmable timer
 Triple glazed doors

Performance
 Energy rating (top oven) A
 Energy rating (main oven) A
 Oven capacity (top) 42L
 Oven capacity (main) 68L
 Oven cavity classification (top) medium
 Oven cavity classification (main) large

Connection information
 Required fuse 30 amps
 Total electricity loading 5300W
 Accessories included
 1 x telescopic runners
 1x dripping pan
 1x chrome trivet
 3x chromed wire shelves



John Lewis
electric built-under double oven
 JLBIDU713
 Stock number 890 40208

£749

This compact double oven provides useful extra cooking capacity, without taking up valuable worktop space. The main oven has fan cooking for even results on every shelf – and can be switched off if you'd prefer to prepare meals using conventional cooking – while the smaller, second oven is the perfect helping hand when entertaining.

The touch control, digital display gives more accurate cooking results and is easy to keep clean, too.

Dimensions
 H71.5 x W59.4 x D54.8cm

Aperture required
 H87 x W60 x D56cm

Controls
 Touch controls

Oven lining
 Catalytic

Cooking modes (top oven)
 Bottom heat
 Grill
 Fast grilling
 Conventional cooking
 Keep warm

Cooking modes (main oven)
 Bottom heat
 Grill
 Fast grilling
 Turbo grilling
 Slow cooking
 Fast heat-up
 Defrost
 Fan cooking

Pizza cooking
 Conventional cooking
 Keep warm

Additional features
 Fully programmable timer
 Triple glazed doors

Performance
 Energy rating (top oven) A
 Energy rating (main oven) A
 Oven capacity (top) 42L
 Oven capacity (main) 46L
 Oven cavity classification (top) medium
 Oven cavity classification (main) medium

Connection information
 Required fuse 30 amps
 Total electricity loading 5300W

Accessories included
 1 x telescopic runners
 1x dripping pan
 1x chrome trivet
 3x chromed wire shelves



John Lewis
microwave oven and grill
 JLBIMW03
 Stock number 890 90206

£529

A high-performance microwave oven, in a compact package.

This new model cooks, defrosts and even cooks from frozen; just select the food type and weight and it will automatically calculate the correct cooking power and time for the best results. What's more, the sleek design's illuminated digital controls offer more accurate cooking results.

Dimensions

H45.5 W59.4 D56.7cm
 Aperture required
 H45 W56 D55cm

Controls

Touch controls

Oven lining

Stainless steel

Cooking modes

Microwave
 Grill

Additional features

5 power levels
 24 hour clock

Programmes

4x defrost
 4x cook by weight
 4x reheat by weight

Performance

Heating category E
 Oven capacity 46L
 Microwave output power 1000W

Connection information
 Required fuse 16 amps
 Total electricity loading 2000W

Accessories included

1x glass baking tray
 1x grill rack

John Lewis
warming drawer
 JLDRI4

Stock number 890 50202

£429

Our stainless steel warming drawer can be paired with a 45cm compact oven or 60cm single oven. Use it for keeping food warm, heating up plates, low temperature cooking, proving dough and defrosting. Adjustable temperatures 30°C – 80°C.

Dimensions

H13.5 W59.4 D53.5cm



John Lewis
compact oven and microwave
 JLBIC04
 Stock number 890 90205

£629

This built-in microwave defrosts, cooks and cooks from frozen automatically; just select the food type and weight and it calculates the right timing and power. There are 5 microwave power levels, a 1900W grill for quick and even results, and combination microwave/grill/ convection settings for extra fast cooking. And the grill-with microwave browns food in about half the normal cooking time.

Dimensions

H45.5 W59.4 D56.7cm

Aperture required

H45 W56 D55cm

Controls

Touch controls

Oven lining

Stainless steel

Cooking modes

Bottom heat
 Bread baking
 Browning
 Conventional / traditional cooking
 Defrost
 Dough proving
 Drying
 Eco roasting
 Fast grilling
 Frozen foods
 Grilling
 Keep warm
 Low temperature cooking / slow cooking
 Microwave function
 Pizza setting
 Plate warming

Preserving
 True fan cooking
 Turbo grilling

Additional features

5 power levels
 24 hour clock
 Programs: 4x defrost, 4x cook by weight, 4x reheat by weight

Performance

Heating category E
 Oven capacity 43L
 Microwave output power 1000W
 Grill output power 1900W

Connection information

Required fuse 16 amps
 Total electricity loading 3000W

Accessories included

1x glass baking tray
 1x grill rack





All our appliances are perfectly complemented by the John Lewis fitted kitchen range. Please ask our staff for the John Lewis fitted kitchen and freestanding brochures.

John Lewis
60cm gas hob
 JLBIGH602
 Stock number 890 10208

£229

This excellent value, brushed stainless steel gas hob looks smart, and is effortless to use and look after. An anti-fingerprint finish ensures it stays looking its best, heavy duty, cast-iron pan supports that are simple to remove and clean and – whether you're left or right handed – the front dials make it simple to stay in control.

Dimensions
 W59.4 D51cm

Aperture required
 H3 W56 D48cm

Features
 Burners
 1 high-speed 3kW
 2 standard 2kW
 1 simmer 1kW



John Lewis
70cm gas hob
 JLBIGH753
 Stock number 890 10207

£329

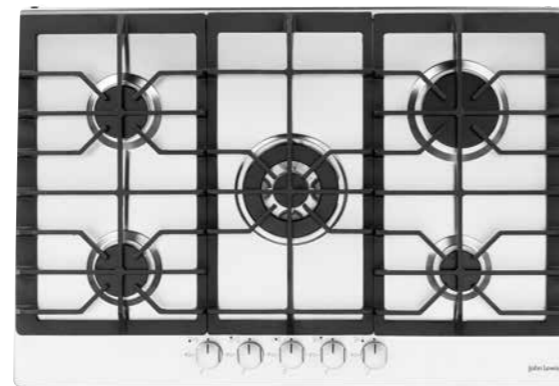
Keen cooks will love this extra-large, professional looking gas hob. Five burners in a variety of sizes and powers can handle all sorts of dishes and pan sizes, with the central burner providing intensive heat, perfect for wok stir-frying.

It's easy to take care of, too, with easy-to-remove durable, cast-iron pan supports. What's more, the front dials mean that both left and right-handed cooks can comfortably stay in control.

Dimensions
 W74.4 D51cm

Aperture required
 H3 W56 D48cm
 Hob fits into a 60cm aperture for easy installation

Features
 Burners
 1 triple wok burner 4kW
 1 high speed 3kW
 2 standard 2kW
 1 simmer 1kW



John Lewis
60cm gas on glass hob
 JLBIGGH606
 Stock number 890 10209

£429

This sleek gas glass hob is high on style and performance. The glossy black glass base creates a clean, uncluttered look and has easy-to-remove cast-iron supports, while the powerful vertical flame burners efficiently sauté, boil and simmer to a professional kitchen standard, minimising heat loss and helping reduce energy consumption. What's more, the central front dials are positioned with both left and right-handed cooks in mind.

Dimensions
 W59 D52cm

Aperture required
 H4.5 W56 D48cm

Features
 Burners
 3 standard 1.65kW
 1 high speed 2.2kW



John Lewis
70cm gas on glass hob
 JLBIGGH756
 Stock number 890 10210

£529

This impressive, five-burner hob creates a sleek, professional look and performs to a professional standard, too. Powerful vertical flame burners efficiently sauté, boil and simmer with 20% more efficiency, minimising heat loss and helping keep bills down. The cast iron supports are easy to remove and clean, while the front dials are placed for the convenience and comfort of both left and right-handed cooks.

Dimensions
 W74 D51cm

Aperture required
 H4.5 W56 D48cm

Features
 Burners
 1 rapid burner 2.2kW
 3 standard 1.65kW
 1 wok burner 3.8kW



John Lewis
fast-heat ceramic hob
 JLBICH601
 Stock number 890 20201

£229

This electric hob turns cooking performance up a notch. Its four, fast-heating cooking zones each have 12 power levels for accurate temperature control, and the heat indicators ensure it's clear to see if any hobs are still too hot to touch.

Dimensions

W59 D52cm

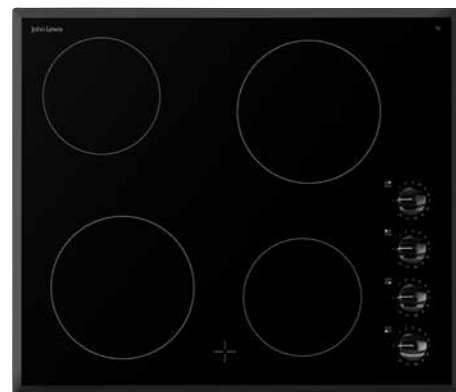
Aperture required

H3.8 W56 D49cm

Features

- 4 ceramic cooking zones
- Front left 1.8kW
- Back left 1.2kW
- Front right 1.2kW
- Back right 1.8kW

Total electricity loading 6000W
 12 power levels
 Residual heat indicators
 Easy-to-use side mounted rotary controls



John Lewis
fast-heat ceramic hob
 JLBICH605
 Stock number 890 20205

£329

With a combination of cooking zones and sizes, including an extra-large, powerful front burner, this ceramic hob has a place for everything. Each hob has nine power levels, giving more accurate temperature control, as well as heat indicators to let you know if the surface is still hot.

Dimensions

W59 D52cm

Aperture required

H3.8 W56 D49cm

Features

- 4 ceramic cooking zones
- Front left 2.3kW
- Back left 1.2kW
- Front right 1.2kW
- Back right 1.8kW

Total electricity loading 6500W
 9-segment power display
 Residual heat indicators
 Front mounted touch controls
 Child safety lock – prevents the hob from being switched on



John Lewis
induction hob
 JLBIIH603
 Stock number 890 00203

£349

This induction hob is fast, powerful and energy efficient, creating a magnetic field between the surface and pan to transfer heat instantly for cooking, and immediately cool down once you're done. Each of the four cooking zones has nine power levels for extra temperature control, the two front zones have boosters for faster heating.

Dimensions

W59 D52cm

Aperture required

H5.5 W56 D49cm

Features

- 4 induction cooking zones
- Front left 210mm/2.3kW – boost 3.7kW
- Back left 180mm/1.8kW
- Front right 145mm/1.4kW – boost 2.5kW
- Back right 180mm/1.8kW

Total electricity loading 7400W
 9 power levels
 Auto time control for each zone
 Child/user friendly control lock



John Lewis
induction hob
 JLBIIH604
 Stock number 890 00207

£429

If you'd like to switch from gas to an efficient electric hob, this model makes it incredibly simple. Fitted with a conventional plug, simply connect it to any standard socket, and it's ready to use – there's no need for wiring in. The hob's sensors also adapt automatically to the size and position of your cookware for even cooking results.

Dimensions

W59 D52cm

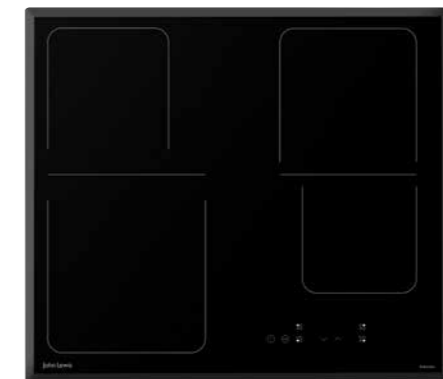
Aperture required

H5.5 W56 D49cm

Features

- 4 induction cooking zones
- Front left 2.3kW/2.8kW/210mm
- Rear left 1.2kW/145mm
- Rear right 1.8kW/180mm
- Front right 1.2kW/1.8kW/145mm

Total electricity loading 3000W
 9 power levels
 Auto time control for each zone
 Child/user friendly control lock



John Lewis
induction hob
JLBIIH605
Stock number 890 20208

£549

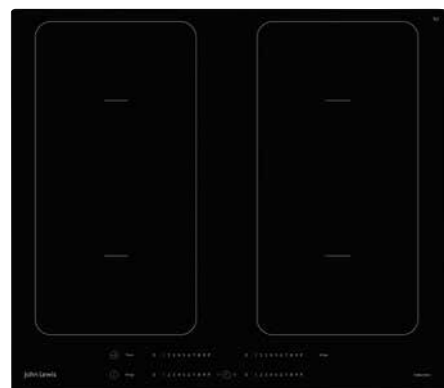
This fast-heat electric induction hob has four cooking zones, which each adapt automatically to the size and shape of your cookware – perfect for those over-sized pans and dishes – to ensure even cooking.

Dimensions
W59 D52cm

Aperture required
H5.5 W56 D49cm

Features
4 induction cooking zones
Rear left 2.3kW/3.2kW/180mmX210mm
Rear left 2.3kW/3.2kW/180mmx210mm
Rear right 2.3kW/3.2kW/180x210mm
Front right 2.3kW/3.2kW/180x210mm

Total electricity loading 7400W
14 power levels
Auto time control for each zone
Child/user friendly control lock
Stop+Go function



John Lewis
multi-pan induction hob
JLBIIH805
Stock number 890 00209

£729

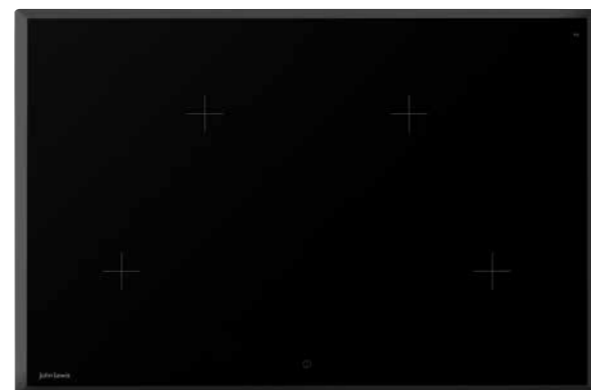
Switch it on, and the discreet design transforms into a versatile cooking area with fully backlit zones and controls, and smart technology. Each hob automatically senses the size and position of the pan and only heats the area needed, for highly efficient cooking. Induction technology heats up and cools down quickly.

Dimensions
W78 D52cm

Aperture required
H5.5 W75 D49cm

Features
4 induction cooking zones
Front left 210mm/2.3kW – boost 3.2kW
Back left 210mm/2.3kW – boost 3.2kW
Front Right 210mm/2.3kW – boost 3.2kW
Back Right 210mm/2.3kW – boost 3.2kW

Total electricity loading 7400W
14 power levels
Auto time control for each zone
Child/user friendly control lock
Stop+Go function

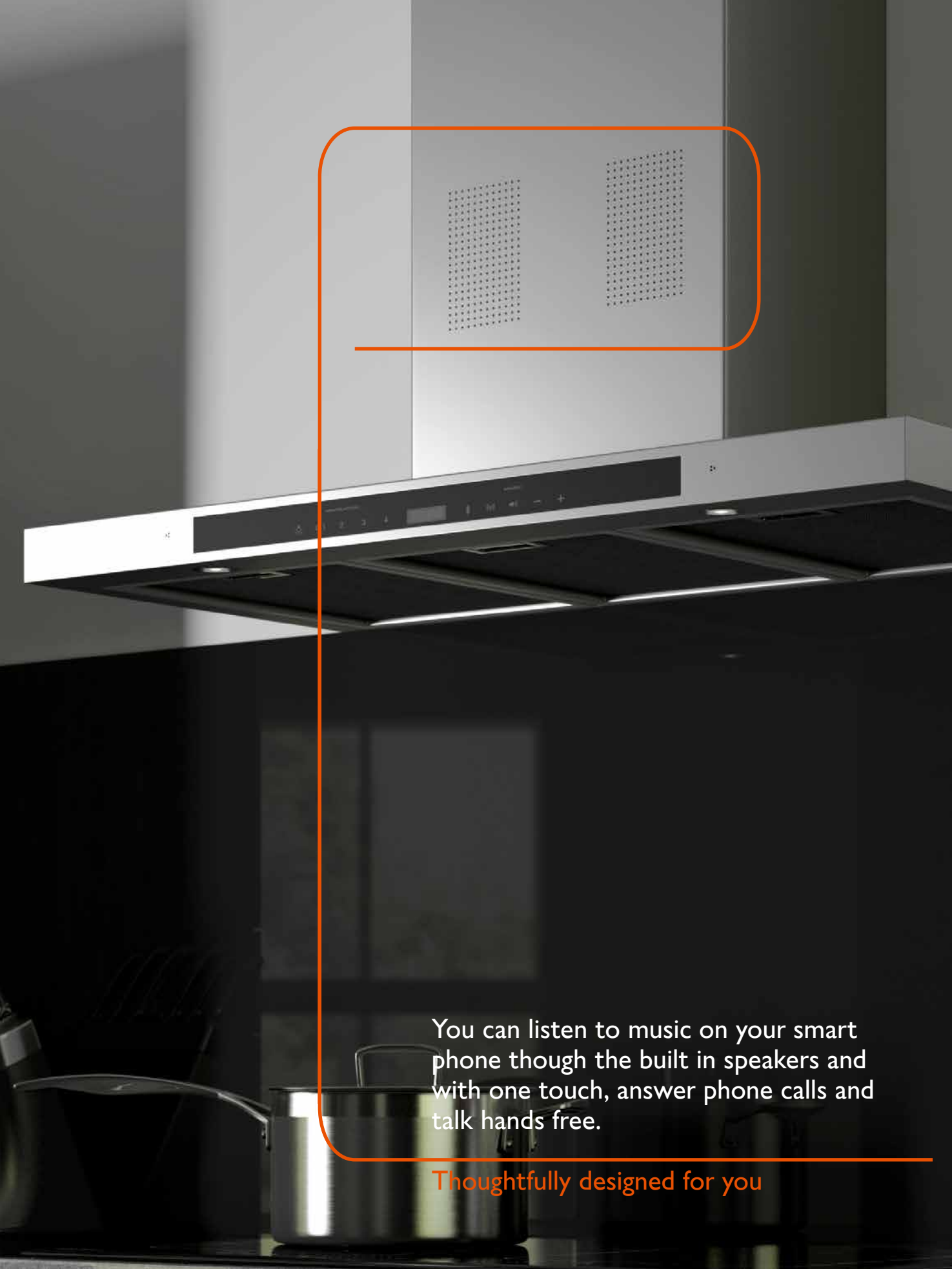


Cooker hoods

More efficient, easier to look after and with new, helpful, everyday features to make the most of your time in the kitchen, each of our ovens and hobs is designed with you in mind.

Think hobs with induction zones for fast, even heating, ovens with steam cooking to keep the taste and goodness in, touch controls and digital displays for more accurate cooking, plus self-cleaning ovens, for one less job to do.

And, because sometimes you want the best of both worlds, we've designed new dual fuel models, too. Complete the look with our all-new range of stylish, high-performance cooker hoods and you're ready to get creative in the kitchen.



You can listen to music on your smart phone through the built-in speakers and with one touch, answer phone calls and talk hands free.

Thoughtfully designed for you

John Lewis
60cm integrated chimney hood
 JLHDA631
 Stock number 866 70245

£179

Our integrated cooker hood incorporates 3 extraction speeds for all levels of cooking fumes, controlled by a simple slider switch. It also features 2x 20W bright halogen lamps, and 2x baffle cassette grease filters trap grease more efficiently than standard filters – they're also easy to remove and dishwasher safe.

Dimensions
 H45 W59.8 D54cm

Features
 3 extraction speeds
 2 LED lamps
 Efficient 440m³/h extraction
 Quiet 67dB (A) noise level

Please note: our cooker hoods are not supplied with a ducting kit. Please ask a qualified installation engineer for more details.



John Lewis
60cm chimney hood
 JLHDA632
 Stock number 866 70246

£249

This stainless-steel chimney hood has four push-button controls and two bright halogen lamps. The two baffle-cassette grease filters trap grease more efficiently than standard filters – just pop them in the dishwasher when they need cleaning.

Dimensions
 H80-100 W59.8 D49cm

Features
 3 extraction speeds
 2 LED lamps
 Adjustable chimney section height
 80cm-100cm
 Efficient 610m³/h extraction
 Quiet 68dB (A) noise level



John Lewis
60cm cooker hood
 JLHDA601
 Stock number 866 70227

£249

This space-saving, pull-out cooker hood is just the thing for smaller kitchens. Simply slide out the hood to automatically start the fan, and stow it neatly away again when you've finished cooking. Simply pop the aluminium filters in the dishwasher when they need to be cleaned.

Dimensions
 H26 W60 D27-42cm

Features
 3 extraction speeds
 Touch controls
 2 LED lamps
 Washable aluminium filters
 Includes a set of disposable charcoal filters
 Noise level 68dB (A)
 Energy rating A

Ducted or recirculation modes
 Charcoal filter for recirculation mode



John Lewis
60cm glass canopy chimney hood
 JLHDA633
 Stock number 866 70247

£329

This 60cm wide chimney hood with stylish glass canopy is suitable for ducting or recirculation, with 3 push-button speed settings (maximum noise rating 68dB), 2x 40W LED lamps and washable metal grease filters.

Dimensions
 H74-94.5 W59.8 D52cm

Features
 3 extraction speeds
 2 LED lamps
 Adjustable chimney section height
 74cm-94.5cm
 Efficient 550m³/h extraction
 Quiet 68dB (A) noise level



John Lewis
60cm cooker hood
 JLHDA623
 Stock number 866 70239

£329

Practical and elegant, this hood's curved-glass canopy helps channel cooking smells and grease towards the high-performance fan, quickly and quietly removing odours from your kitchen. The clear-glass design is perfect for achieving an airy, uncluttered look.

Dimensions
 H65-111.5 W60 D49cm

Features
 3 extraction speeds
 Push controls
 2 LED lamps
 Washable aluminium filters
 Noise level 69dB (A)
 Energy rating A

Ducted or recirculation modes
 Charcoal filter for recirculation mode



John Lewis
90cm cooker hood
 JLHDA923
 Stock number 866 70240

£379

This elegant hood's curved-glass canopy looks stylish while effectively channelling smells and grease towards the fan. Three power settings provide high-performance extraction, eliminating even the strongest-smelling foods, plus the aluminium filters can be easily removed and cleaned in the dishwasher.

Dimensions
 H65-111.5 W90 D49cm

Features
 3 extraction speeds
 Push controls
 2 LED lamps
 Washable aluminium filters
 Noise level 69dB (A)
 Energy rating A

Ducted or recirculation modes
 Charcoal filter for recirculation mode



John Lewis
90cm cooker hood
 JLHDA910
 Stock number 866 70221

£379

This glass and stainless steel hood's angular design creates a contemporary yet timeless look, suitable for any style of kitchen. The high-performance filters offer excellent air-cleaning power, helping keep your kitchen smell and grease free – simply pop them in the dishwasher when they need to be cleaned.

Dimensions
 H66.3-112.8 W90 D50cm

Features
 3 extraction speeds
 Push controls
 2 LED lamps
 Washable aluminium filters
 Noise level 69dB (A)
 Energy rating A

Ducted or recirculation modes
 Charcoal filter for recirculation mode



John Lewis
90cm cooker hood
 JLHDA911 (stainless-steel)
 Stock number 866 70222
 JLHDA912 (black)
 Stock number 866 70223
 JLHDA913 (cream)
 Stock number 866 70224

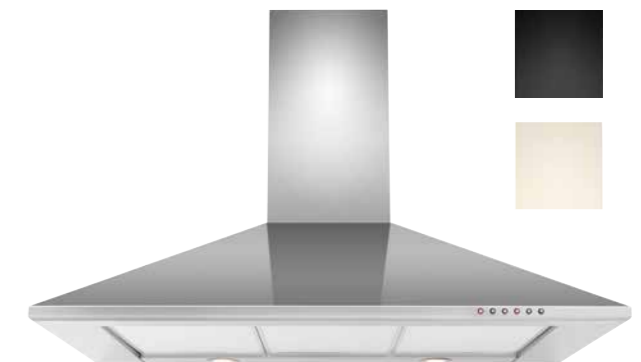
£379

This classic chimney hood blends effortlessly into any kitchen style, from traditional to contemporary. The range of extraction levels, including an intensive setting for stronger smells and longer cooking sessions, makes for odour-free cooking. The discreet touch controls are easy to use and wipe clean.

Dimensions
 H75.5-110 W90 D49cm

Features
 3 extraction speeds
 Intensive setting
 Illuminated touch controls
 2 LED lamps
 Washable aluminium filters
 Noise level 63dB (A)
 Energy rating A

Ducted or recirculation modes
 Charcoal filter for recirculation mode



John Lewis
60cm cooker hood
 JLHDA602
 Stock number 866 70228

£399

This hood's compact and sleek design is ideal if your kitchen's short on space. Three powerful extraction levels make light work of grease and odours, plus there's an additional intensive setting for quickly tackling stronger-smelling foods.

Dimensions
 H64.5-111 W60 D50cm

Features
 3 extraction speeds
 Intensive setting
 Touch controls
 2 LED lamps
 Noise level 63dB (A)
 Energy rating A

Ducted or recirculation modes
 Carbon filter for recirculation mode



John Lewis
100cm cooker hood
 JLHDA101 (stainless-steel)
 Stock number 866 70225
 JLHDA102 (black)
 Stock number 866 70226

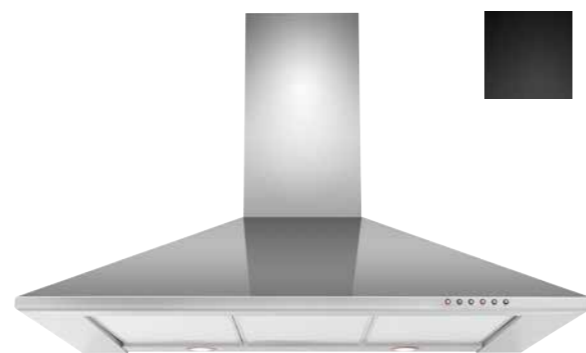
£399

This wide, stainless steel chimney hood is ideal for larger hobs. Three filters provide high-performance extraction, even when using multiple hobs, and it has a range of power levels, including an intensive setting for clearing cooking smells and grease.

Dimensions
 H75.5-110 W100 D49cm

Features
 3 extraction speeds
 Intensive setting
 Touch controls
 2 LED lamps
 Washable aluminium filters
 Noise level 63dB (A)
 Energy rating A

Ducted or recirculation modes
 Charcoal filter for recirculation mode



John Lewis
90cm cooker hood
 JLHDA915
 Stock number 866 70229

£449

This stainless steel hood's streamlined and elegant design looks at home in any style of kitchen. Choose from three levels, and an additional intensive setting for a short, powerful burst of extraction – perfect when you're cooking several dishes at once and for stronger-smelling foods.

Dimensions
 H64.5-111 W90 D50cm

Features
 3 extraction speeds
 Intensive setting
 Touch controls
 2 LED lamps
 Noise level 63dB (A)
 Energy rating A

Ducted or recirculation modes
 Charcoal filter for recirculation mode



John Lewis
Island cooker hood
 JLISHDA901
 Stock number 866 70220

£699

Designed for a central kitchen island, this stylish stainless steel and curved-glass hood combines high performance with an unobtrusive look. The cooking area has plenty of lighting, and the intensive extraction setting tackles even the strongest-smelling foods and grease quickly and quietly.

Dimensions
 H70.5-107 W90 D60cm

Features
 3 extraction speeds
 Intensive setting
 Touch controls
 4 LED lamps
 Washable aluminium filters
 Noise level 64dB (A)
 Energy rating A

Ducted or recirculation modes
 Charcoal filter for recirculation mode



John Lewis
Chimney cooker hood with speakers
 JLHDA916
 Stock number 866 70201

£899

This innovative chimney hood features smart phone connectivity together with built in DAB digital radio. You can listen to music on your smartphone through the built in speakers and with one touch answer phone calls and talk handsfree without the need to pick up your phone. With a sleek black glass touch control panel, and LED lights, this stylish hood is suitable for extraction or recirculating. This hood must be installed by a qualified engineer.

Dimensions
 H89-120 W90 D48cm

Features
 3 extraction speeds
 Intensive setting
 Touch controls
 2 LED lamps
 Washable aluminium filters
 Noise level 69dB (A)
 Energy rating A

Ducted or recirculation modes
 Charcoal filter for recirculation mode



John Lewis
90cm triple-panel hood
 JLHDA934
 Stock number 866 70248

£899

This dramatic hood provides a centrepiece for any kitchen, designed for maximum visual impact. Making a real difference to your whole kitchen environment, it extracts the cooking fumes through slots in the stainless-steel panels. It has electronic touch controls with five variable extraction speeds and three halogen lights for optimum illumination of the cooking area.

Dimensions
 H77 W89.8 D36cm

Features
 Efficient intensive extraction 780m3/h, normal extraction 580m3/h
 Noise level 61dB (A)
 Electronic touch control
 5 extraction speeds
 3 LED lamps
 2 dishwasher safe baffle grease filters
 Ducted or recirculation modes
 Charcoal filter for recirculation mode



John Lewis
Ceiling cooker hood
 JLCEILHD87
 Stock number 866 70220

£999

Discreet and quiet yet incredibly powerful, this sleek hood is the perfect choice for busy kitchens where style is just as important as performance. What's more, the four settings and integrated LED lights are effortlessly operated by the included remote control.

Dimensions
 W117 D51cm

Features
 4 extraction speeds
 Intensive setting
 Remote control operation
 6 LED lamps
 Noise level 63dB (A), 73dB for intensive
 Energy rating A
 Ducted extraction

Ducted or recirculation modes
 Charcoal filter for recirculation mode



John Lewis
Ceiling cooker hood
 JLHDA918
 Stock number 866 70214

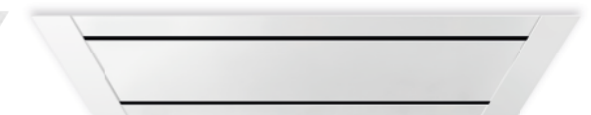
£1199

Ceiling hood in tempered white glass with LED strip lighting. This hood features a double installation system which allows to fix the hood either to the masonry or directly to a false ceiling in either extraction or recirculating mode. There is also the possibility of the motor being installed away from the unit (extraction only). The 3 speeds + intensive and lighting can be actioned by the stylish remote control unit supplied. If used for recirculating, charcoal filters are available to purchase through the John Lewis website. This hood must be installed by a qualified engineer.

Dimensions
 W100 D60cm

Features
 3 extraction speeds
 Intensive setting
 Remote control
 LED strip lights
 Washable aluminium filters
 Noise level 63dB (A)
 Energy rating A

Ducted or recirculation modes
 Charcoal filter for recirculation mode







John Lewis
60cm dual-fuel double-oven cooker
 JLFSMC613
 Stock number 866 00206

£749

If you prefer a gas hob but like to vary your oven functions, this multi-fuel cooker offers the best of both worlds.

The fan-assisted main oven is complemented by the top oven's conventional cooking grill and the four-burner hob includes an extra-large, powerful burner that's perfect for woks and larger pans. The oven is incredibly easy to clean, too, with a removable inner glass panel and catalytic lining which instantly disperses grease.

Finish

Stainless steel

Dimensions

H90 (89.4 – 91.2cm with adjustment)
 W59.5 D60cm Hob

Hob

4 burners
 Rear left 1.9kW/70mm
 Front left 3.4kW/121mm
 Rear right 1.9kW/70mm
 Front right 1.0kW/54mm

Cooking modes (top oven)

Conventional cooking
 Full width grill

Cooking modes (main oven)

Fan
 Defrost

Additional features

Electronic programmable clock and timer
 Triple glazed doors
 Removable inner door for easy cleaning

Performance

Energy rating (top oven) A
 Energy rating (main oven) A
 Oven capacity (top) 40M
 Oven capacity (main) 79L
 Oven cavity classification (top) medium
 Oven cavity classification (main) large
 Total electricity loading 5300W



John Lewis
60cm gas double-oven cooker
 JLFCGC616
 Stock number 866 20201

£849

If you have a love of baking, this gas cooker will help you create beautiful tasting bread and succulent moist cakes. The gas main oven is complemented by a top oven and gas grill. With the four-burner hob you have lots of options for different sized pans, from the extra large powerful burner, perfect for cooking with a wok to a small burner for gently heating chocolate. The oven is easy to clean, with a removable inner glass panel and catalytic lining which instantly disperses grease.

Finish
 Stainless steel

Dimensions
 H90 (89.4 – 91.2cm with adjustment)
 W59.5 D60cm Hob

Hob
 4 burners
 Rear left 1.9kW/70mm
 Front left 3.0kW/100mm
 Rear right 1.9kW/70mm
 Front right 1.0kW/54mm

Cooking modes (top oven)
 Conventional gas cooking
 Full width grill

Cooking modes (main oven)
 Conventional gas cooking

Additional features
 Minute minder
 Triple glazed doors
 Glass lid
 Telescopic runners
 Removable inner door for easy cleaning

Performance
 Oven capacity (top) 40L
 Oven capacity (main) 79L
 Oven cavity classification (top) medium
 Oven cavity classification (main) large



John Lewis
60cm electric double-oven cooker
 JLFSEC612
 Stock number 866 20210

£949

This electric cooker combines a fast, efficient induction hob with a versatile double oven. The hob's induction technology heats up and cools down faster for instant results and greater energy efficiency, and – because spills won't burn, and thanks to the touch controls – it's easy to clean, too. The oven has a variety of functions, including conventional and fan cooking, plus the catalytic lining instantly absorbs grease, so you can leave it longer between cleans.

Finish
 Stainless steel

Dimensions
 H90 (89.4 – 91.2cm with adjustment)
 W59.9 D60cm

Hob
 4 induction cooking zones including
 Rear left 1.4kW/2.5kW/140mm
 Front left 2.3kW/3.6kW/210mm
 Rear right 1.8kW/2.8kW/180mm
 Front right 1.8kW/2.8kW/180mm
 Residual heat indicators

Cooking modes (top oven)
 Conventional cooking
 Full width grill

Cooking modes (main oven)
 Fan
 Defrost

Additional features
 Electronic programmable clock and timer
 Triple glazed doors
 Removable inner door for easy cleaning

Performance
 Energy rating (top oven) A
 Energy rating (main oven) A
 Oven capacity (top) 40M
 Oven capacity (main) 79L
 Oven cavity classification (top) medium
 Oven cavity classification (main) large
 Total electricity loading 12900W





Single ovens

Double ovens

Model number	John Lewis JLBIOS 621	John Lewis JLBIOS 622	John Lewis JLBIOS 623	John Lewis JLBIOS 617	John Lewis JLBIOS 625	John Lewis JLBIDO 915X	John Lewis JLIDU 713
Stock number	890 30221	890 30222	890 30223	890 30212	890 60225	890 40209	890 40208
Finish	S-steel with anti-fingerprint	S-steel with anti-fingerprint	S-steel with anti-fingerprint	S-steel with anti-fingerprint	S-steel with anti-fingerprint	Stainless steel	Stainless steel
Cooking functions							
Bottom heat			•	•	•	• both ovens	• both ovens
Conventional cooking			•	•	•	• both ovens	• both ovens
Fan cooking	•	•	•	•	•	•	•
Eco roasting				•	•		
Pizza cooking			•	•	•	•	
Keep warm				•	•	• both ovens	• both ovens
Slow cooking				•	•	•	•
Cook from frozen					•	•	
Defrost	•	•	•	•	•	•	•
Browning				•	•		
Grilling	•	•	•	•	•	• both ovens	• both ovens
Fast grilling	•	•	•	•	•	• both ovens	• both ovens
Turbo grilling	•			•	•	•	•
Plate warming				•	•		
Bread baking				•	•		
Steam assisted cooking / reheating					•		
Features							
Temperature range	50° – 250°C	50° – 275°C	30° – 300°C	30° – 300°C	30° – 300°C	50° – 275°C	50° – 275°C
Glazing	Quadruple	Triple	Quadruple	Quadruple	Quadruple	Triple	Triple
Drop down door	•	•	•	•	•	•	•
LED clock / timer / auto-programmer	•	•	•	•	•	•	•
Minute minder	•	•	•	•	•	•	•
Acoustic signal	•	•	•	•	•	•	•
Oven thermostat	•	•	•	•	•	•	•
Oven controls	Pop in/out	Pop in/out	Pop in/out	Touch	Touch	Touch	Touch
Oven light	Top	Top	Top	Top and side	Back and side	At back	At back

Single ovens

Double ovens

Model number	John Lewis JLBIOS 621	John Lewis JLBIOS 622	John Lewis JLBIOS 623	John Lewis JLBIOS 617	John Lewis JLBIOS 625	John Lewis JLBIDO 915X	John Lewis JLIDU 713
Stock number	890 30221	890 30222	890 30223	890 30212	890 60225	890 40209	890 40208
Oven interior efficiency							
Energy efficiency class	A	A	A ⁺	A ⁻²⁰	A*	A/A	A/A
Usable volume (litres)	70	72	72	72	72	43/68	40/46
Energy consumption hot air kW	0.85	0.69	0.69	0.69	0.69	0.69/0.88	0.69
Total electricity loading (W)	3480	3480	3480	3500	3380	5300	5300
Cleaning method							
Pyrolytic self-cleaning system			•	•	•		
Catalytic heat-activated lining		•				•	•
Standard accessories							
Telescopic runners				•	•	•	•
Wire shelves	2 chromed	2 chromed	2 chromed	2 chromed	2 s/steel	3 chromed	3 chromed
Grill pan / roasting dish	1	1	1	1	1	1	1
Oven interior dimensions							
Main oven (millimetres)							
height		357	357	357	355	368	246
width		480	480	480	480	435	441
depth		416	416	416	417	409	410
Largest baking sheet surface area (sq cm)		1418	1418	1418	1418	1175	1175
Second oven (millimetres)							
height						210	210
width						440	440
depth						445	445
Largest baking sheet surface area (sq cm)						1175	1175
Oven exterior dimensions							
height	594	594	594	594	594	888	715
width	594	594	594	594	594	594	594
depth	568	567	567	567	568	548	548
height (built in)		590	590	590	590	875	870
width (built in)		560	560	560	560	560	600
depth (built in)		550	550	550	550	550	560

A* Saving 10% more energy (only 0,89 kWh) versus the given threshold value (<1,0 kWh) of energy class A (DIN EN 50304/ DIN EN 60350)


A** Saving 20% more energy (only 0,79 kWh) versus the given threshold value (<1,0 kWh) of the EU standard (DIN EN 50304/ DIN EN 60350)

Integrated refrigeration

Our integrated fridges and freezers may be discreet, but an impressive range of design features deserve a little attention.

Each one has extra deep, extra big cool space, so you'll never have to squeeze things in, and all our freezers are frost-free, so you can say goodbye to defrosting, too. Wine connoisseurs will love our fridge-freezer with separate zones for red and white wine, helping store both at just the right temperature.

What's more, even though our range is bigger and better than ever, every model is still A+ rated for energy efficiency, costing less to run while being more environmentally responsible.

A close-up, angled view of a refrigerator's control panel. The panel is dark with several buttons and two digital displays. The top display shows '13°C' in red LED digits. Below it are buttons for 'Light off' and 'Alarm off'. Further down are '+' and '-' buttons. The bottom display shows '18°C' in red LED digits. An orange line highlights the area around the bottom display and its associated buttons.

Our integrated wine cabinet
dual zone temperature control,
perfect for both white and red.

Thoughtfully designed for you

John Lewis
integrated larder fridge
 JLBIUCL05
 Stock number 857 20203

£399

Because a small kitchen shouldn't mean less food storage, this compact, under-counter fridge makes the most of all available interior space, with three glass shelves, a recessed salad drawer and room for bottles, drinks and dairy inside the door. It's highly efficient, too, rated A++ for energy, helping keep bills down.

Finish
 White

Dimensions
 H81.5 W59.6 D55cm

Aperture required
 H82 W60 D55cm

Features
 3 full-width glass shelves
 1x full-width salad drawer
 Dairy compartment
 Auto defrost
 Egg tray for 6 eggs
 Right-hand reversible door; fridge door fixes to cabinet door

Capacity
 136 L net storage
 140 L gross storage

Performance
 Energy rating A++
 Noise 36dB (A)
 Electricity consumption (per annum) 92 kWh



John Lewis
integrated fridge
 JLBIUCFR06
 Stock number 857 00201

£429

If your kitchen is a little short on space, this fridge with a freezer box helps you squeeze it all in – in a compact size that fits snugly under a kitchen worktop. Every inch is maximised with glass shelves, a salad drawer and dairy compartment in the door, while the 4-star freezer safely stores food for up to a year. It's also rated A++ for efficiency, because we know that keeping energy consumption and bills down matters to you.

Finish
 White

Dimensions
 H81.5 W59.6 D55cm

Aperture required
 H82 W60 D55cm

Features
 2 x full-width glass shelves
 1x full-width salad drawer
 Dairy compartment
 Auto defrost
 Egg tray for 6 eggs
 Right-hand reversible door; fridge door fixes to cabinet door

Capacity
 Fridge 100 L net storage
 105 L gross storage
 Freezer 17 L net storage

Performance
 Energy rating A++
 Noise 36dB (A)
 Electricity consumption (per annum) 141 kWh



John Lewis
integrated freezer

JLBIUCFZ01

Stock number 857 40202

£479

This freezer sits neatly underneath a worktop and is rated A+ for energy efficiency, helping keep bills down. The fast freeze function gets to work quickly, helping preserve fresh food's flavour, nutritional value and colour. What's more, because the freezer is frost-free, you can say goodbye to defrosting.

Finish
White

Dimensions
H81.5 W59.6 D55cm

Aperture required
H82 W60 D55cm

Features

3x full-width drawers
Fast freeze
Frost free
Visual and audible high temperature alarm
Right-hand reversible door; fridge door fixes to cabinet door

Capacity

87 L net storage
90 L gross storage
12 kg fast freeze
Power cut safe time 13 hours

Performance

Energy rating A+
Noise 41dB (A)
Electricity consumption (per annum) 192 kWh



John Lewis
larder fridge
 JLBILIC07
 Stock number 857 10204

£699

This generous fridge comfortably holds a large weekly shop, making it a great choice for families. As well as plenty of room for your groceries, a high-performance cooling fan chills food faster and maintains an even temperature throughout. What's more, the reversible door has a slider fixing to help position it perfectly flush with kitchen units.

Finish
 White

Dimensions
 H177.2 W54 D54.9cm

Aperture required
 H178 W56 D55cm

Features
 5 full-width glass shelves
 1x full-width telescopic salad drawer
 Dairy compartment
 Auto defrost
 Intensive cooling
 Holiday mode
 Egg tray for 6 eggs
 Right-hand reversible door; sliding hinge
 Multifunction electronic touch controls with LED display

Capacity
 319 L net storage
 323 L gross storage

Performance
 Energy rating A+
 Noise 36dB (A)
 Electricity consumption (per annum) 143 kWh



John Lewis
tall upright frost-free freezer
 JLBIFIC05
 Stock number 857 30201

£729

Our tall, spacious freezer means that, even with those extra-large family shops, you can squeeze it all in. The fast freeze function gets straight to work on fresh food, preserving its flavour and nutritional value – great for vegetables – and stores food safely for up to 12 months. Plus, as it's frost-free, you'll never need to even think about defrosting again

Finish
 White

Dimensions
 H177.2 W54 D54.9cm

Aperture required
 H178 W56 D55cm

Features
 5x full-width drawers
 2x shelves with flaps
 Fast freeze function
 Frost free
 1x ice tray
 Visual and audible high temperature alarm
 Right-hand sliding hinge; reversible door
 Door open audible alarm
 Multifunction electronic touch controls with LED display

Capacity
 208 L net storage
 220 L gross storage
 20 kg fast freeze

Performance
 Energy rating A+
 Noise 39dB (A)
 Electricity consumption (per annum) 306 kWh



John Lewis
tall fridge-freezer
 JLBIF1808
 Stock number 857 60208

£729

This spacious fridge-freezer offers generous, equal amounts of fresh and frozen food storage, so you can squeeze in more and shop less. TwinTech technology uses separate cooling systems for the fridge and freezer, ensuring food in the fridge doesn't dry out, staying fresher for up to seven days longer. What's more, the frost-free freezer means you'll never need to defrost again.

Finish
 White

Dimensions
 H177.2 W54 D54.7cm

Aperture required
 H178 W56 D56cm

Features
 Frost free fridge
 Intensive cooling
 3x full-width glass shelves
 2x half-width salad drawers
 Dairy compartment
 Egg tray for 6 eggs
 Fast freeze function
 Frost free freezer
 4x full-width drawers
 1x ice tray
 Right-hand reversible door; sliding hinge
 Multifunction electronic touch controls with LED display

Capacity (fridge)
 158 L net storage
 161 L gross storage

Capacity (freezer compartment)
 88 L net storage
 108 L gross storage
 10 kg fast freeze
 Power cut safe time
 25 hours

Performance
 Energy rating A+
 Noise 38dB (A)
 Electricity consumption (per annum) 307 kWh



John Lewis
tall fridge-freezer
 JLBIF1807
 Stock number 857 60207

£729

With its extra-large fridge capacity, this fridge-freezer is perfect for families who get through lots of fresh food. TwinTech technology uses separate cooling systems for the fridge and freezer, keeping the fridge's contents fresher for longer. Plus, because the freezer is frost-free, you can say goodbye to defrosting.

Finish
 White

Dimensions
 H177.2 W54 D54.9cm

Aperture required
 H178 W56 D55cm

Features
 Auto defrost fridge
 4x full-width glass shelves
 2x half-width salad drawers
 Dairy compartment
 Egg tray for 6 eggs
 Fast freeze function
 Frost free freezer
 3x full-width drawers
 1x ice tray
 Right-hand reversible door; sliding hinge
 Multifunction electronic touch controls with LED display

Capacity (fridge)
 200 L net storage
 202 L gross storage

Capacity (freezer compartment)
 63 L net storage
 78 L gross storage
 10 kg fast freeze
 Power cut safe time
 21 hours

Performance
 Energy rating A+
 Noise 39 dB (A)
 Electricity consumption (per annum) 297 kWh



John Lewis
In-column single zone wine cabinet
 JLWF610
 Stock number 865 80213

£649

This cabinet's compact design means that you don't need lots of space to enjoy professional wine storage at home. Simply choose which type of wine you'd like to store – red or white – and set your ideal temperature to ensure that every bottle is kept just how you like it, and ready for any occasion.

Finish
 Clear glass and stainless steel

Dimensions
 H45.5 W59 D55.7cm (inc. door dimensions)

Aperture required
 H45.1 W56 D54cm

- Features**
- One piece stainless steel door
 - Single temperature zone for red or white wine
 - No frost compressor cooling technology maintains a consistent temperature
 - 100% CFC / HFC free
 - Fan circulated cool air for even temperature distribution
 - Quiet operation 40dB (A)
 - Electronic temperature control and LCD display
 - UV/heat-free white LED lighting (switchable)
 - Reversible door
 - 1 humidity control water tank
 - 3 sliding shelves and 1 base shelf
 - Curved stainless steel handle
 - Stainless steel fronted beech shelves
 - Toughened UV protected glass door
 - Black cabinet interior and exterior
 - Vibration free
 - Audible door alarm when left open

Capacity
 1.91 Cu ft/54 Litre total net capacity
 2.08 Cu ft/59 Litre total gross capacity
 Max. 22 Bordeaux style wine bottles 750ml

Performance

Energy rating	A
Energy consumption	187kWh/y
Temperature range	4°C-18°C
Ambient temperature	5°C-35°C
Humidity range	>65%RH



John Lewis
In-column single zone wine cabinet
 JLWF611
 Stock number 865 80214

£799

Whether you prefer red or white wine, you can adjust this cabinet's settings to store up to 46 bottles of your favourite type at the perfect temperature. The interior fan ensures an even temperature is maintained throughout, while the sliding shelves make selecting bottles simple. The stainless steel, glass-fronted design lends a sleek look to your kitchen.

Finish
 Clear glass and stainless steel

Dimensions
 H88.6 W59 D55.7cm (inc. door dimensions)

Aperture required
 H88 W56 D54cm

- Features**
- One piece stainless steel door
 - Single temperature zone for red or white wine
 - No frost compressor cooling technology maintains a consistent temperature
 - 100% CFC / HFC free
 - Fan circulated cool air for even temperature distribution
 - Quiet operation 40dB (A)
 - Electronic temperature control and LCD display
 - UV/heat-free white LED lighting (switchable)
 - Reversible door
 - 1 humidity control water tank
 - 7 sliding shelves and 1 base shelf
 - Curved stainless steel handle
 - Stainless steel fronted beech shelves
 - Toughened UV protected glass door

Black cabinet interior and exterior
 Vibration free
 Audible door alarm when left open

Capacity
 4.38 Cu ft/124 Litre total net capacity
 5.41 Cu ft/153 Litre total gross capacity
 Max. 46 Bordeaux style wine bottles 750ml

Performance

Energy rating	A
Energy consumption	156kWh/y
Temperature range	4°C-18°C
Ambient temperature	5°C-35°C
Humidity range	>65%RH



John Lewis
integrated cabinet

JLBWIC01
Stock number 857 80101

£1,399

This smart wine cabinet is a stylish place to keep your favourite bottles, with dual temperature zones for long-term storage as well as serving, all in one place. The six sliding wooden shelves hold up to 99 bottles and a dedicated humidity level prevents corks from drying out, while the glass window and interior light makes it easy to spot the contents while protecting bottles from light using UV filter.

Finish

Clear glass and stainless steel

Dimensions

H177.2 W54 D54cm

Aperture required

H178 W56 D55cm

Features

Fan-circulated cool air
4 sliding shelves top compartment
2 sliding shelves bottom compartment
Wooden shelves
Toughened UV protected glass door
LED Internal light
Stainless-steel frame and handle

Capacity

325 litres (Maximum 99 Bordeaux style wine bottles 750ml)

Performance

Energy rating A
Ambient temperature 10°C - 32°C
Annual energy consumption 170 kWh/y
Noise 34dB (A)



Integrated Washing

Our integrated washing machines and dishwashers are designed to lend a helping hand, whenever you need it.

That's why you'll find dishwashers roomy enough to take care of those extra-large plates and dishes, and a slimline washing machine with a full size drum – because a small kitchen shouldn't mean less capacity.

And, because saving energy matters to you too, every one of our washing machines and dishwashers are A rated or above for efficiency, with energy saving programmes to help keep the bills down, as well as time-saving programmes for when you need a really quick wash.



For when your dishes need
a really quick hot wash

Thoughtfully designed for you

John Lewis
integrated slim-line dishwasher
 JLBIDW902
 Stock number 887 10202

£379

Because a compact kitchen shouldn't mean doing without a dishwasher, our sleek, slimline model squeezes the performance you need into a smaller space. The handy spotlight means you'll always know when it's on, and how long it has left to run, and there's a range of programmes for every occasion. The speedy, 30-minute wash and dry is great for keeping bills down or a quick cycle between courses, plus there's an automatic programme which senses the load size and level of dirt, and sets the time, water and temperature to tackle it.

Dimensions
 H81.8 W44.6 D55cm

Aperture required
 H82 W45 D57cm

Features
 9 place settings
 Remaining time display
 Delay start 1h-19h
 Adjustable racking
 Active drying
 Beam on floor during cycle
 Fully stainless steel cavity

Indicator lights
 All-in-one tablet selected
 Program selected
 Rinse aid replenishment
 Salt replenishment

Programmes
 30 minute 60°
 Auto 45°-70°
 Economy 50°
 Intensive 70°
 Rinse and hold

Performance
 Wash rating A
 Energy rating A
 Drying rating A
 Noise 49dB (A)
 Water consumption (per cycle) 12 L
 Electricity consumption (per cycle) 0.8 kWh
 Estimated annual consumption (water) 2640 L
 Estimated annual consumption (energy) 176 kWh



John Lewis
integrated dishwasher
 JLBIDW1205
 Stock number 88700207

£399

There are a range of helpful programmes, too, including a speedy 30-minute wash and dry – great for keeping bills down or a quick cycle before bed – plus an automatic programme which senses the size of the load and level of dirt, then sets the time, water and temperature levels to suit.

Dimensions
 H81.8 W59.6 D55.5cm

Aperture required
 H82 W60 D57cm

Features
 13 place settings
 Remaining time display
 Delay start 1h-19h
 Adjustable racking
 Active drying
 Fully stainless steel cavity

Indicator lights
 All-in-one tablet selected
 Program selected
 Rinse aid replenishment
 Salt replenishment

Programmes
 30 minute 60°
 Auto 45°-70°
 Economy 50°
 Intensive 70°
 Rinse and hold

Performance
 Noise 47dB (A)
 Water consumption (per cycle) 11 L
 Electricity consumption (per cycle) 1.05 kWh
 Estimated annual consumption (water) 3080 L
 Estimated annual consumption (energy) 295 kWh



John Lewis
integrated washing machine

JLBWWM1403
Stock number 888 30204

£499

Designed to fit seamlessly into your kitchen, our built-in washing machine is perfect for hiding laundry discreetly behind closed doors. But subtlety doesn't mean compromising on capacity or performance – this machine makes light work of a full 7kg load and has a range of programmes, including a super-quick 30-minute wash, as well as energy saving options.

Dimensions

H82 W59.6 D54.4cm

Aperture required

H82.5 W60 D60cm

Features

7 kg capacity
Anti-flood device
1400 rpm spin
LCD display

Push buttons

Spin selection
Rinse hold
Stain
Prewash
Extra rinse
Quick wash
Delay start

Programmes

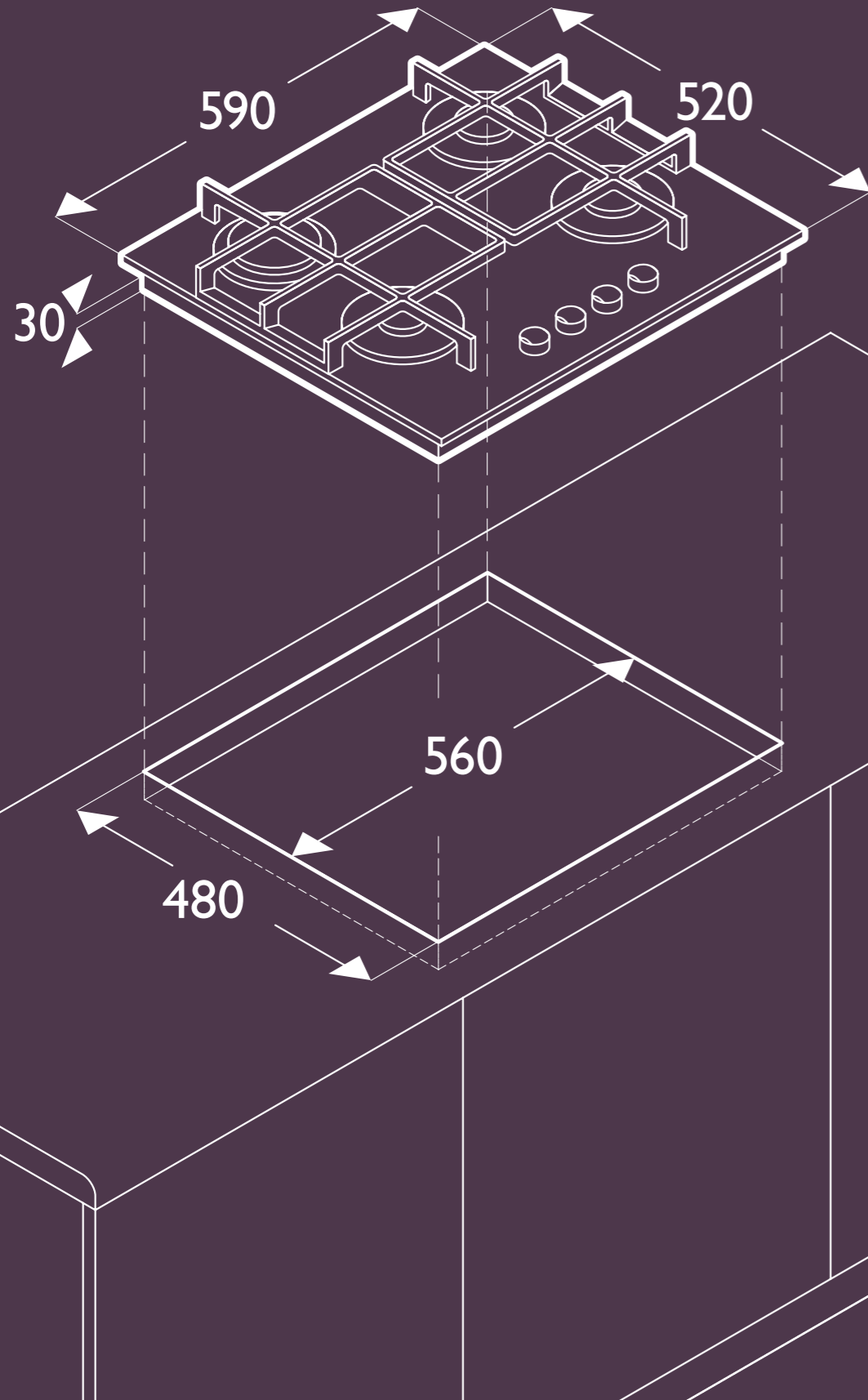
Cotton 90
Cotton 60 economy
Cotton 60
Cotton 40 economy
Cotton 40
Cotton 30
Synthetics 60

Synthetics 40 economy
Synthetics 40
Synthetics 30
Delicate 40
Delicate 30
Handwash 30
Wool 30
Wool cold
Soak 30
Rinses
Drain
Spin
Mini program 30

Performance

Wash rating	A
Energy rating	A++
Spin rating	B
Noise (washing)	56dB (A)
Noise (spinning)	74dB (A)
Typical annual consumption (water)	10400 L
Typical annual consumption (energy)	202 kWh

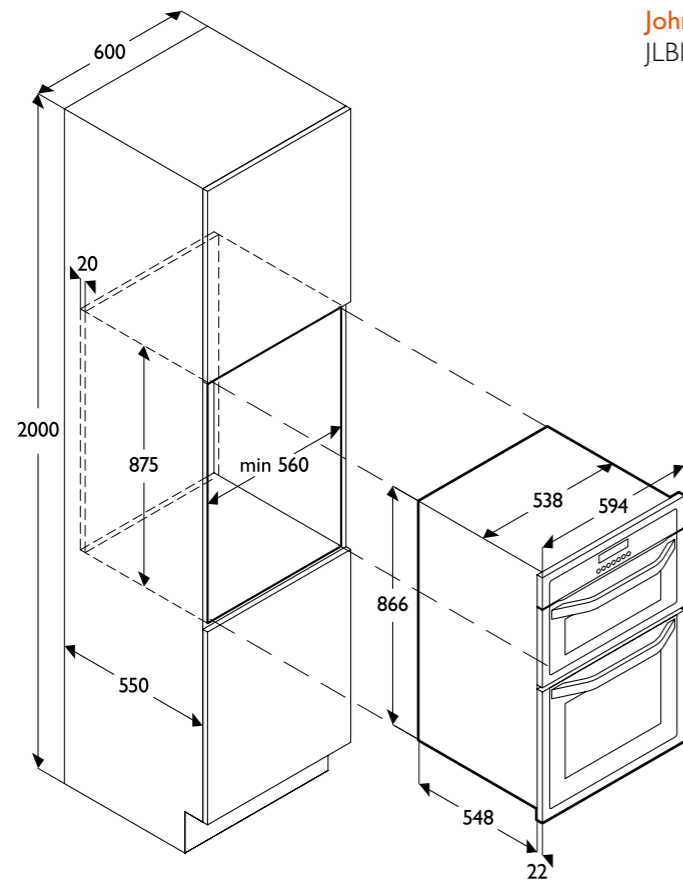




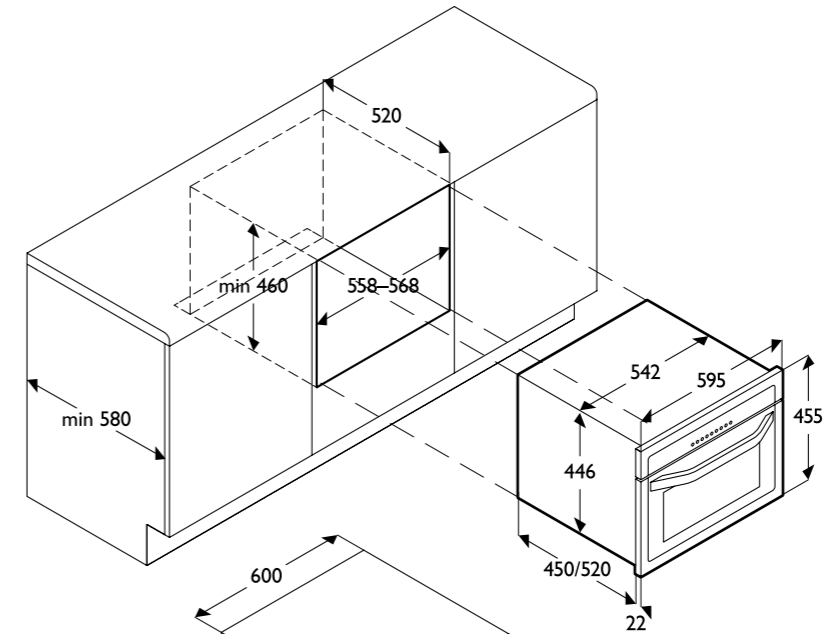
Installation diagrams

The following pages provide detailed diagrams to help install your new John Lewis appliance. All dimensions are in millimetres.

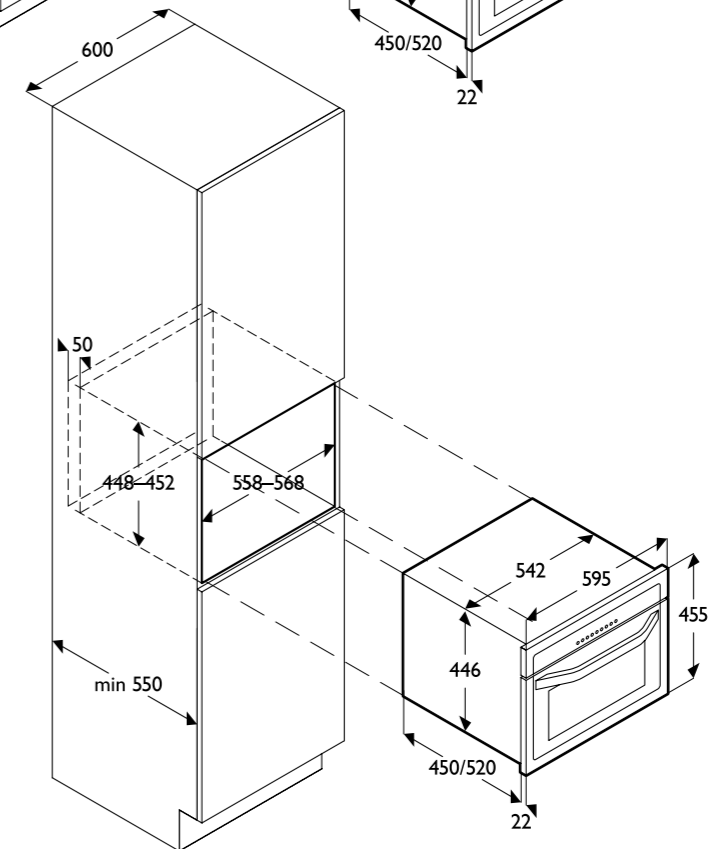
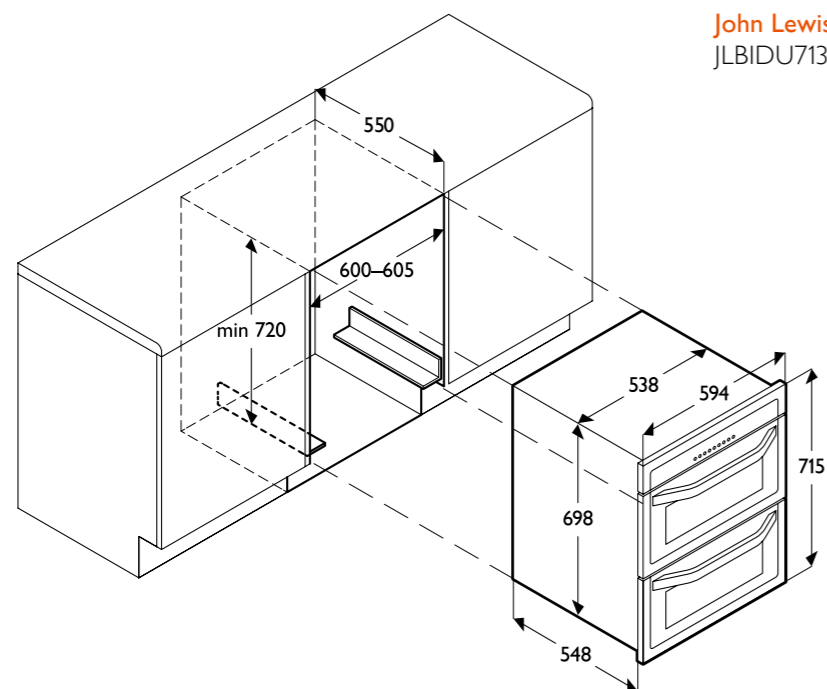
John Lewis electric double oven
JLBIDO915X



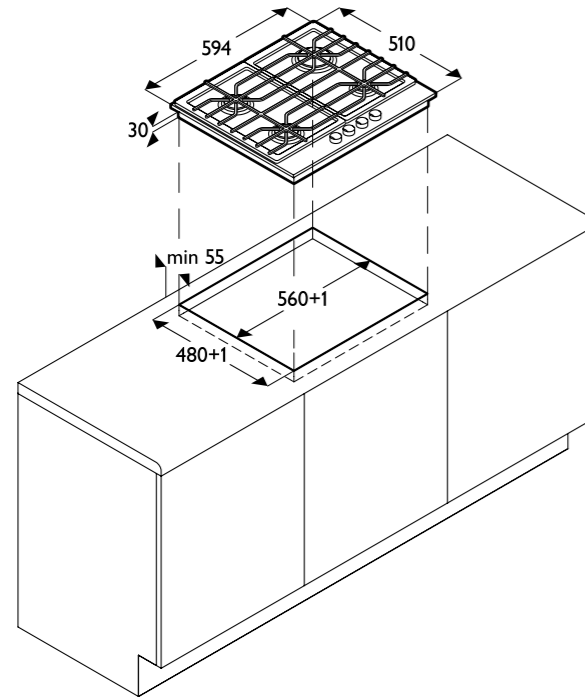
John Lewis microwave oven
JLBIMW03
John Lewis compact oven and microwave
JLBIC04



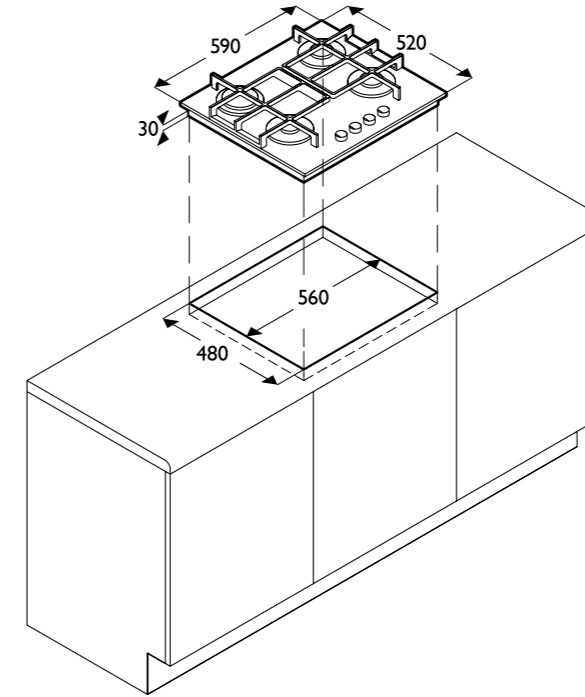
John Lewis electric integrated double oven
JLBIDU713



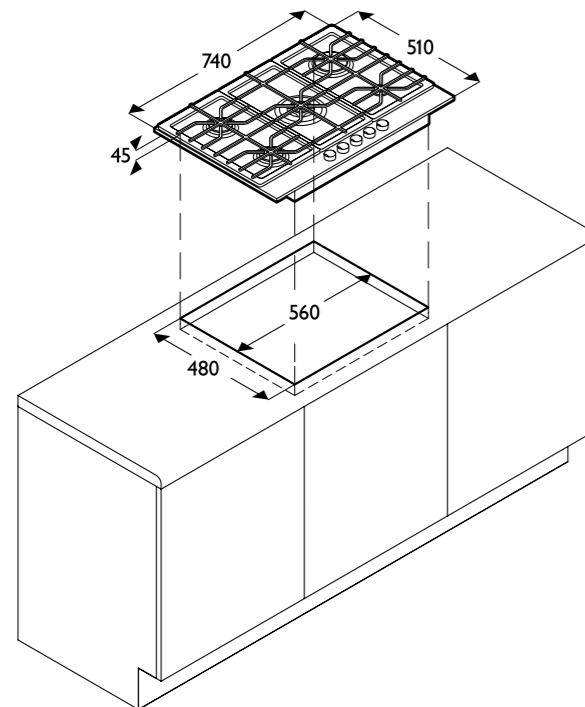
John Lewis 60cm gas hob
JLBIGH602



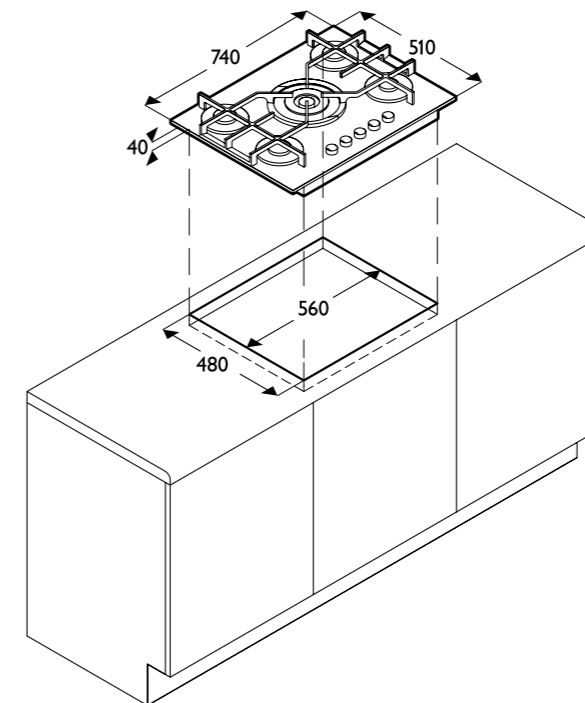
John Lewis 60cm gas glass hob
JLBIGGH606



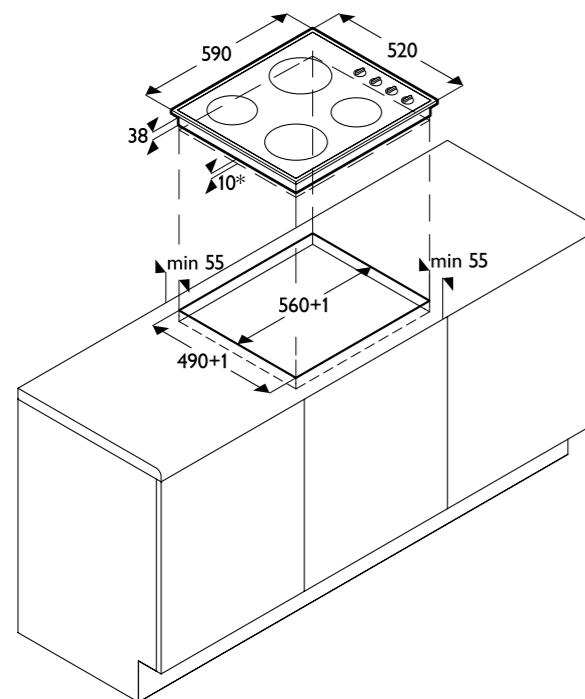
John Lewis 70cm gas hob
JLBIGH 753



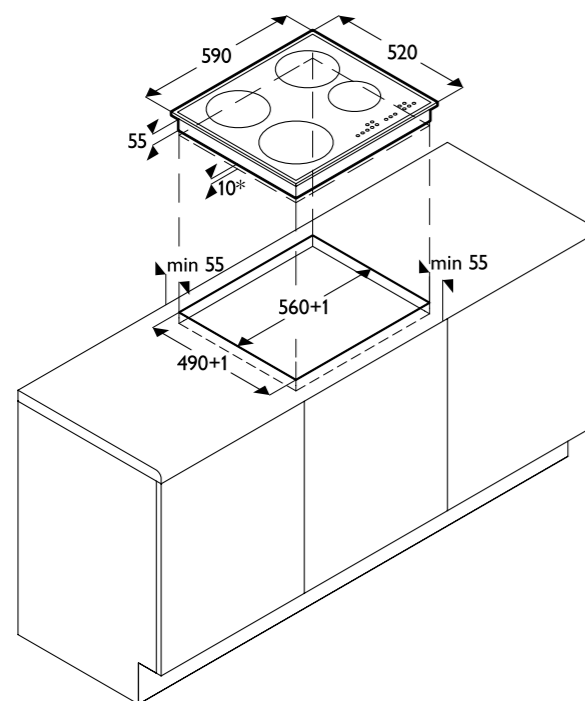
John Lewis 70cm gas glass hob
JLBIGGH756



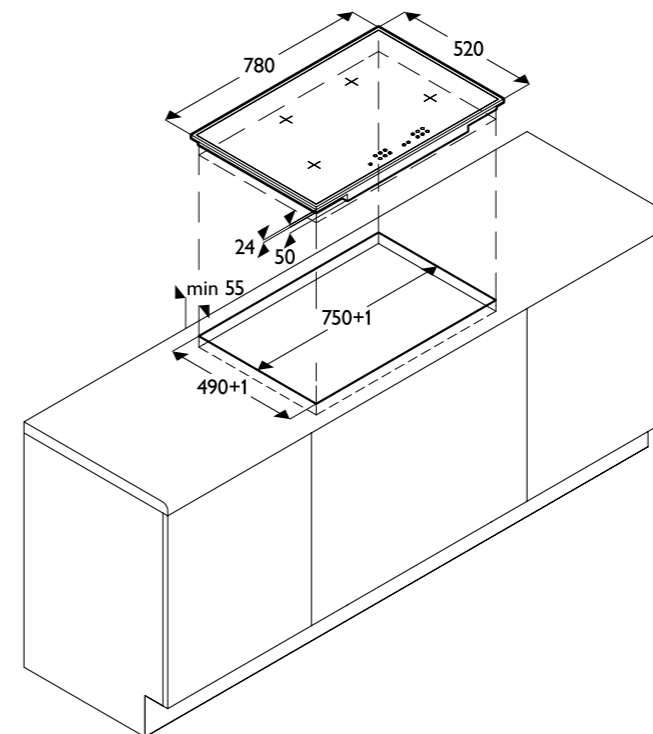
John Lewis fast-heat ceramic hob
JLBICH601
John Lewis fast-heat ceramic hob
JLBICH605



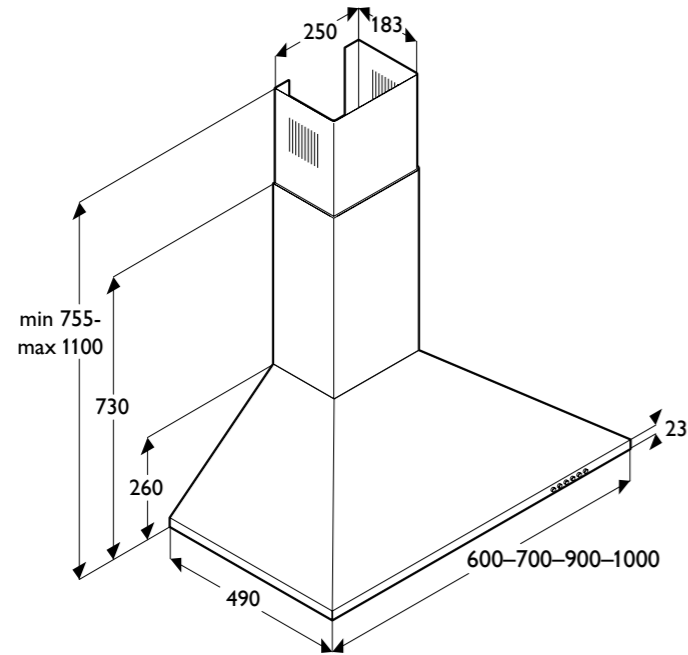
John Lewis induction hob
JLBIIH613
John Lewis induction hob
JLBIIH604
John Lewis induction hob
JLBIIH605



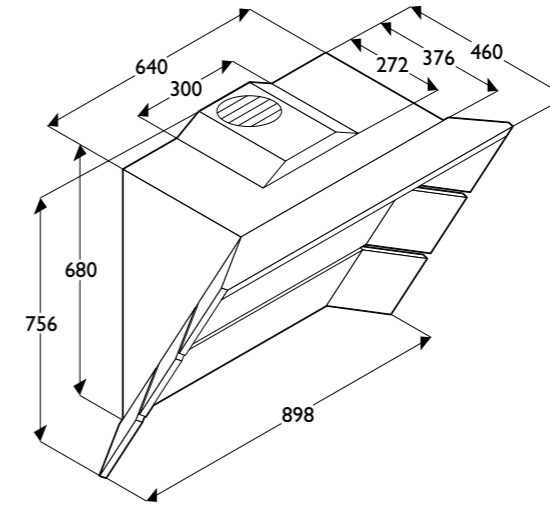
John Lewis
multi-pan induction ceramic hob
JLBIIH805



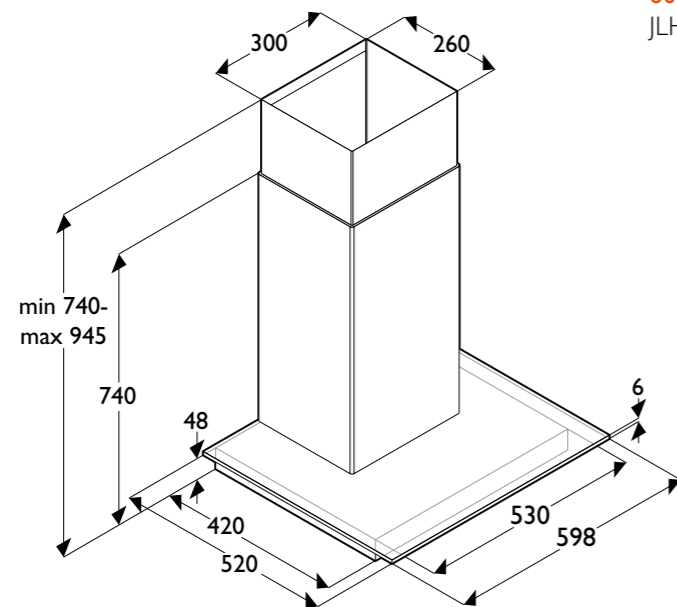
John Lewis
Cooker hood
JLHDA632
JLHDA101-102
JLHDA911-912-913



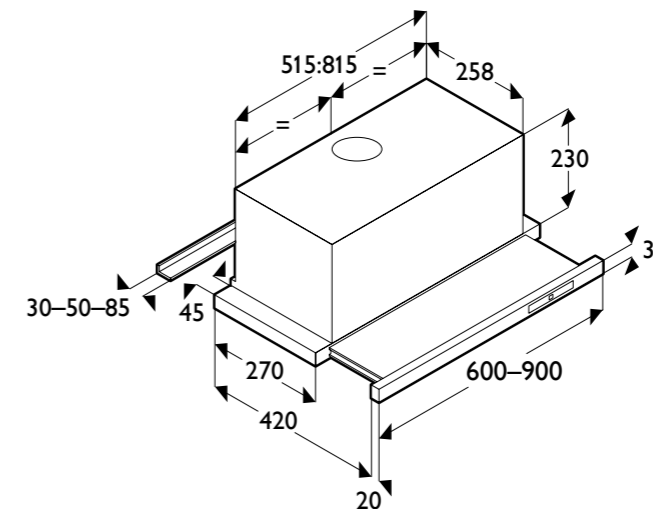
John Lewis
90cm triple-panel hood
JLHDA934



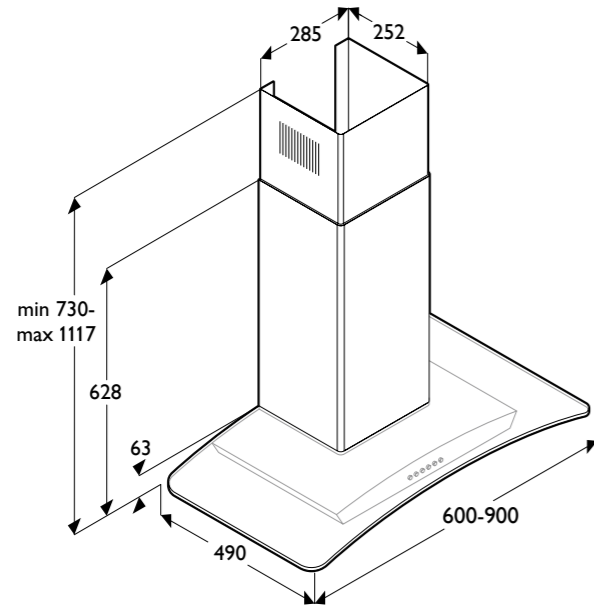
John Lewis
60cm glass canopy chimney hood
JLHDA633
John Lewis
60cm integrated chimney hood
JLHDA631



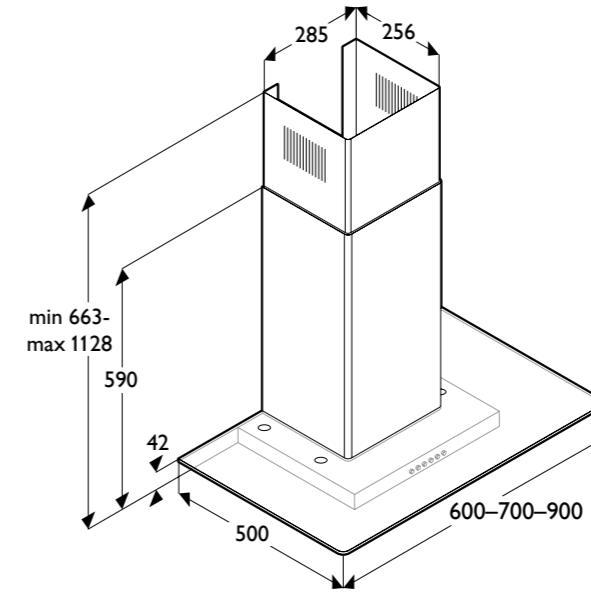
John Lewis
Cooker hood
JLHDA601



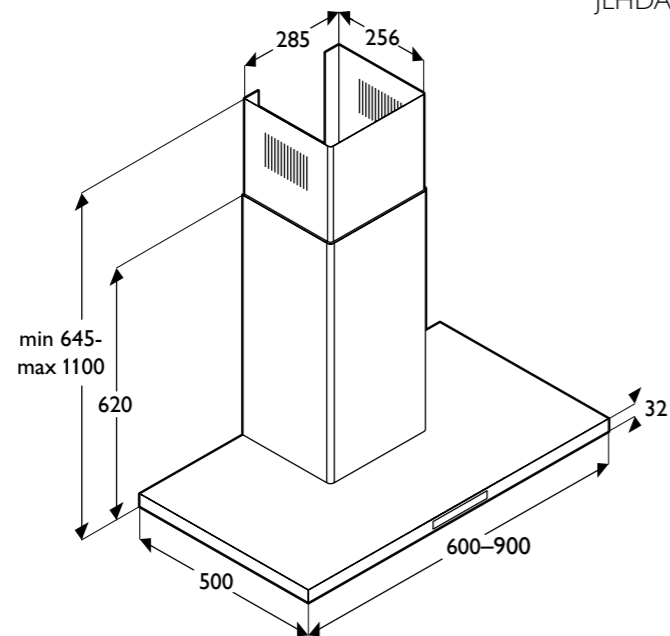
John Lewis
Cooker hood
JLHDA623-923



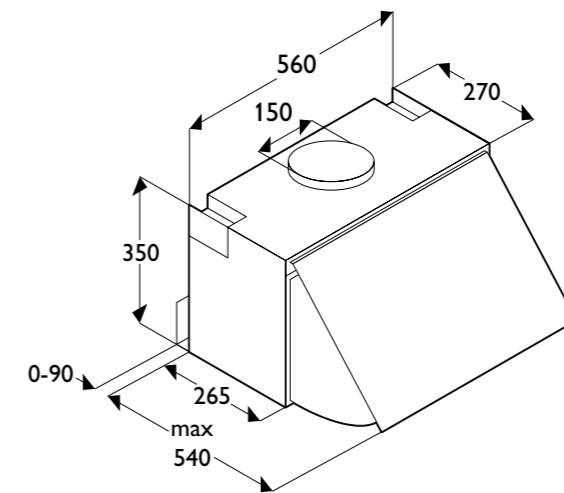
John Lewis
Cooker hood
JLHDA910



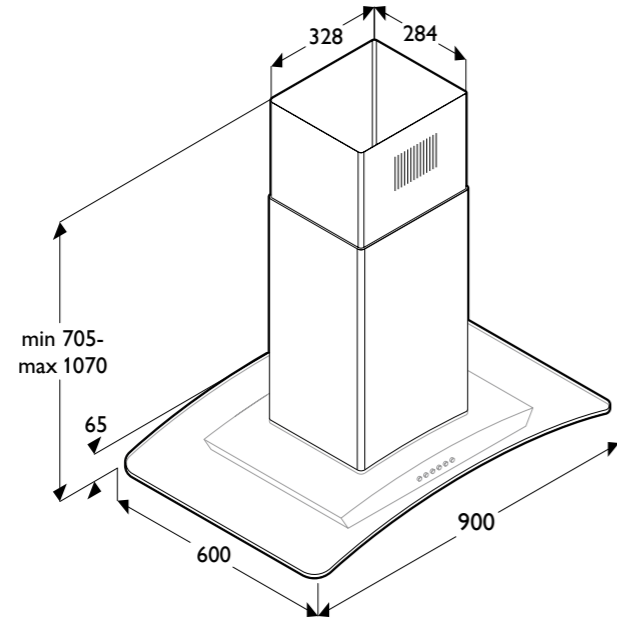
John Lewis
Cooker hood
JLHDA602-915



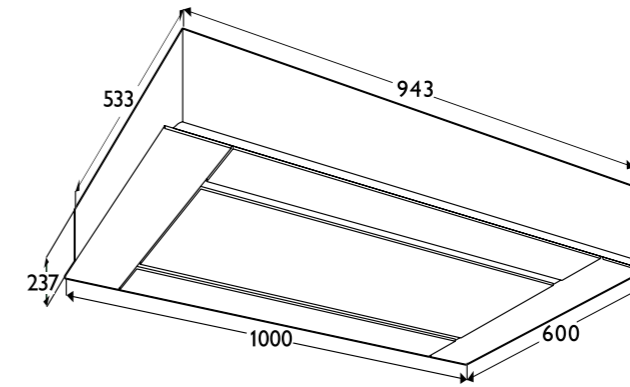
John Lewis
60cm integrated chimney hood
JLHDA631



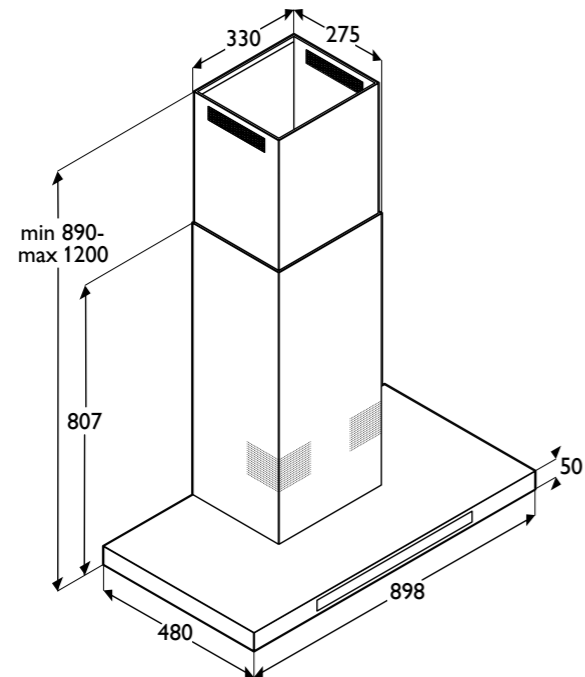
John Lewis
Cooker hood
JLISHDA901



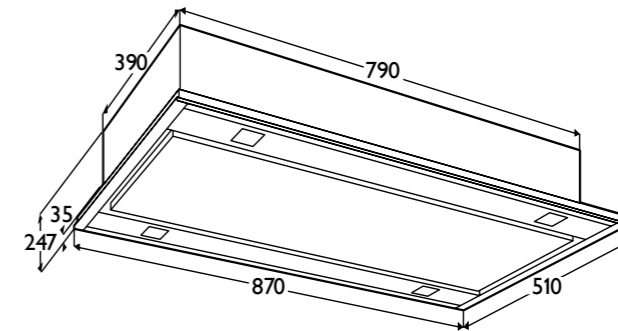
John Lewis
Cooker hood
JLHHA918



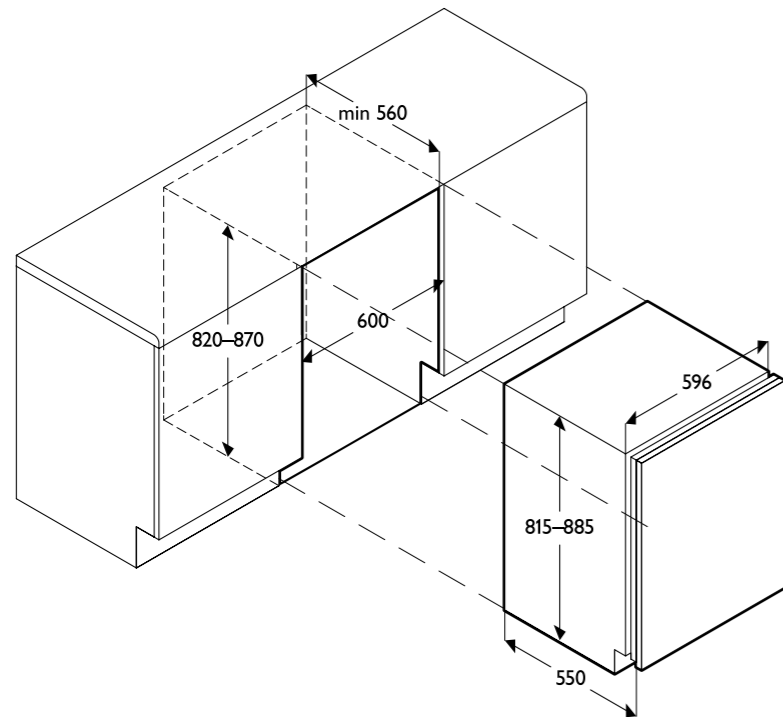
John Lewis
Cooker hood
JLISHDA916



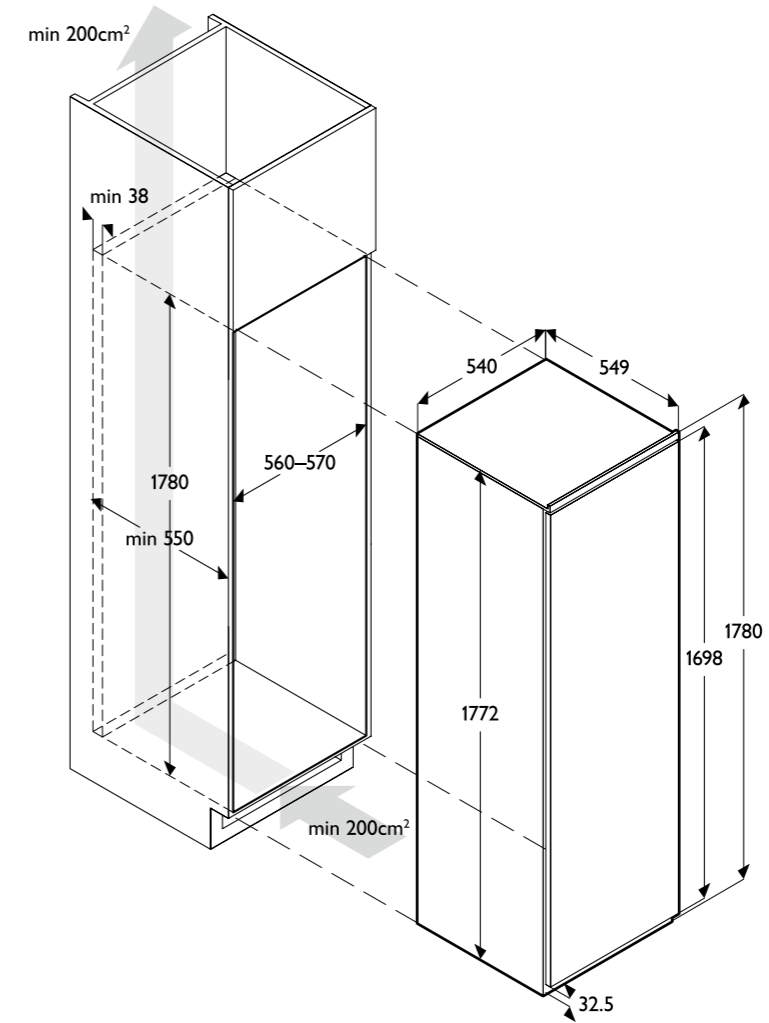
John Lewis
Cooker hood
JLCEILD87



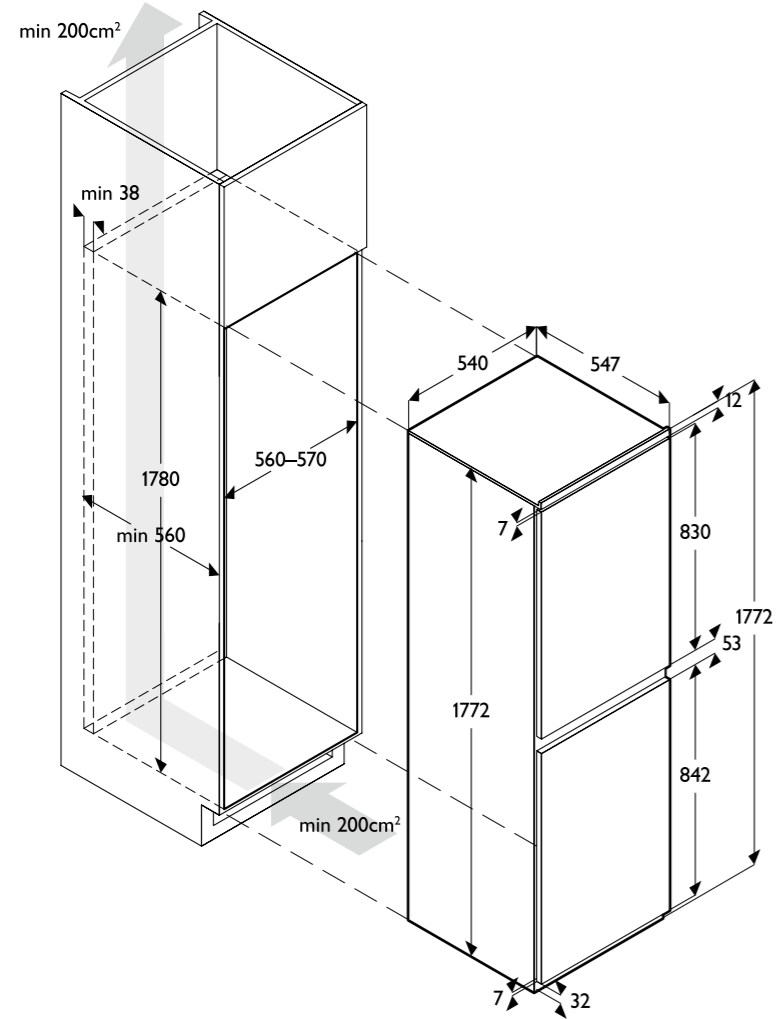
John Lewis integrated larder fridge
JLBIUCL05
John Lewis integrated fridge
JLBIUCFR06
John Lewis integrated freezer
JLBIUCFZ01



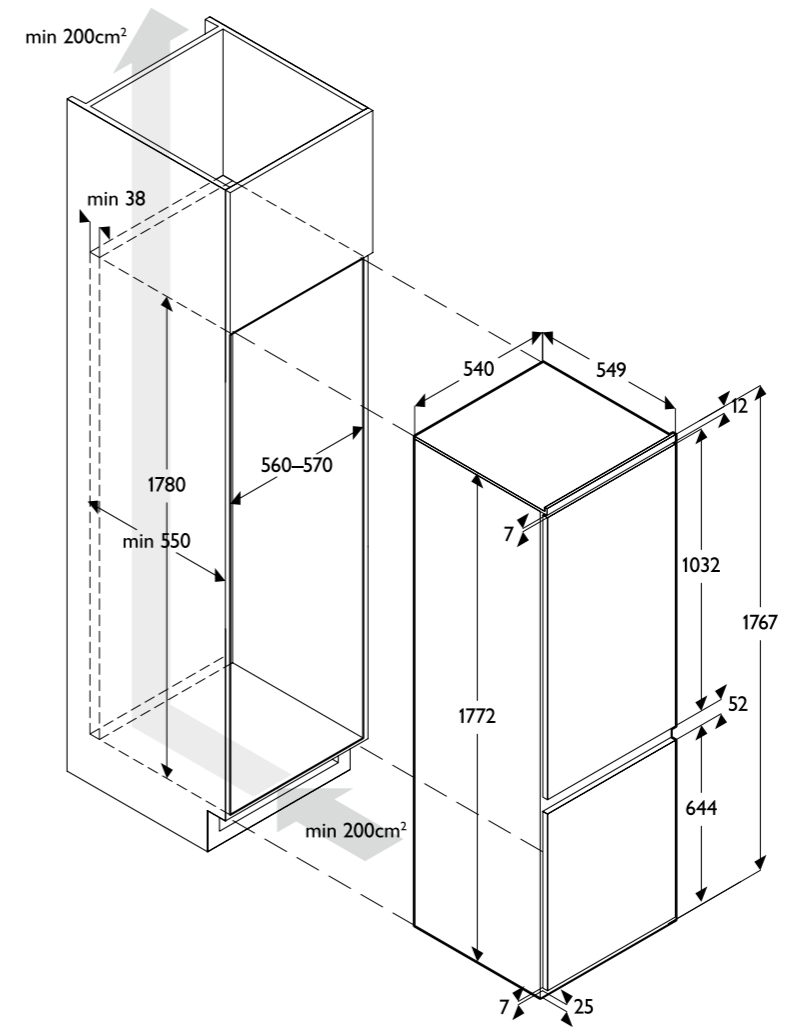
John Lewis larder fridge
JLBILIC07
John Lewis tall upright frost-free freezer
JLBIFIC05



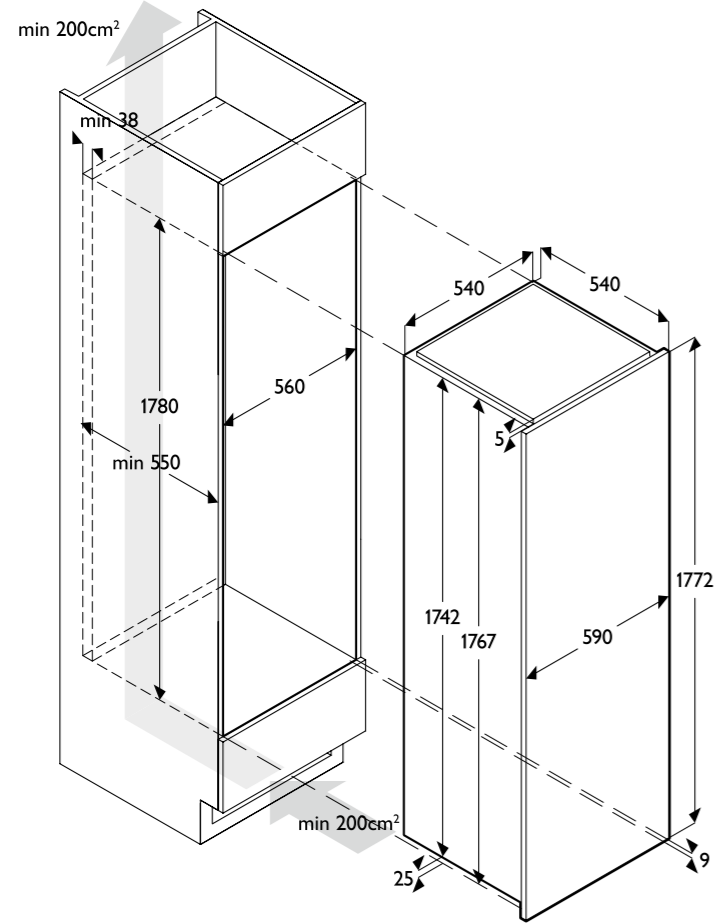
John Lewis tall fridge-freezer
JLBIF1808



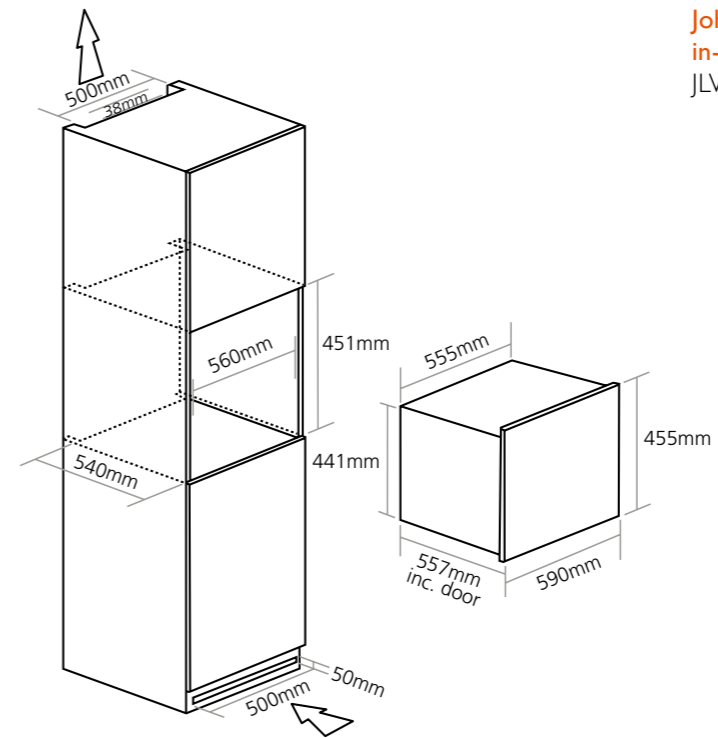
John Lewis tall fridge-freezer
JLBIF1807



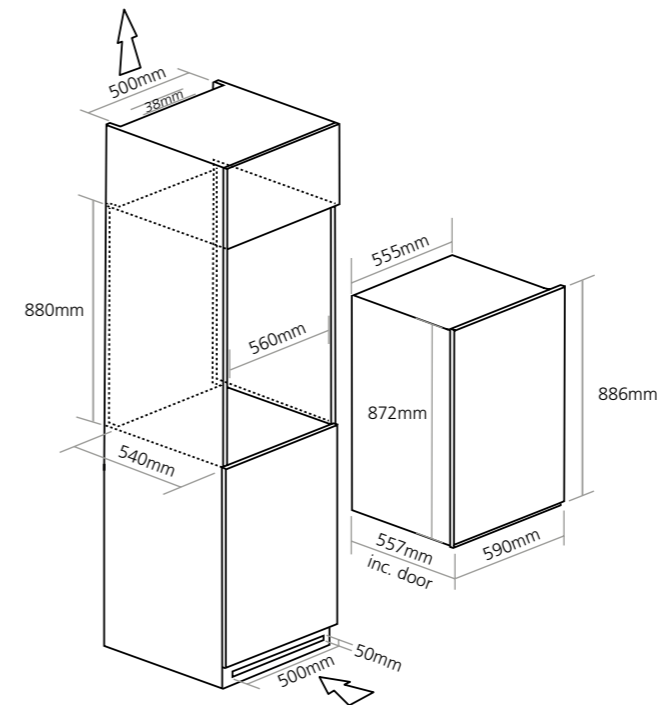
John Lewis integrated wine cabinet
JLBIWIC01



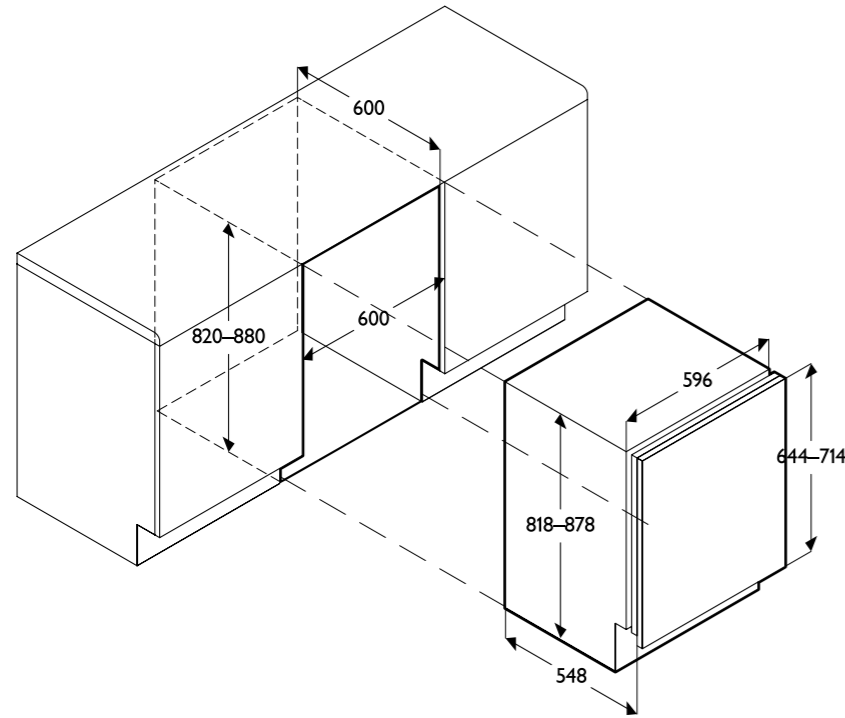
John Lewis
in-column single zone wine cabinet
JLWF610



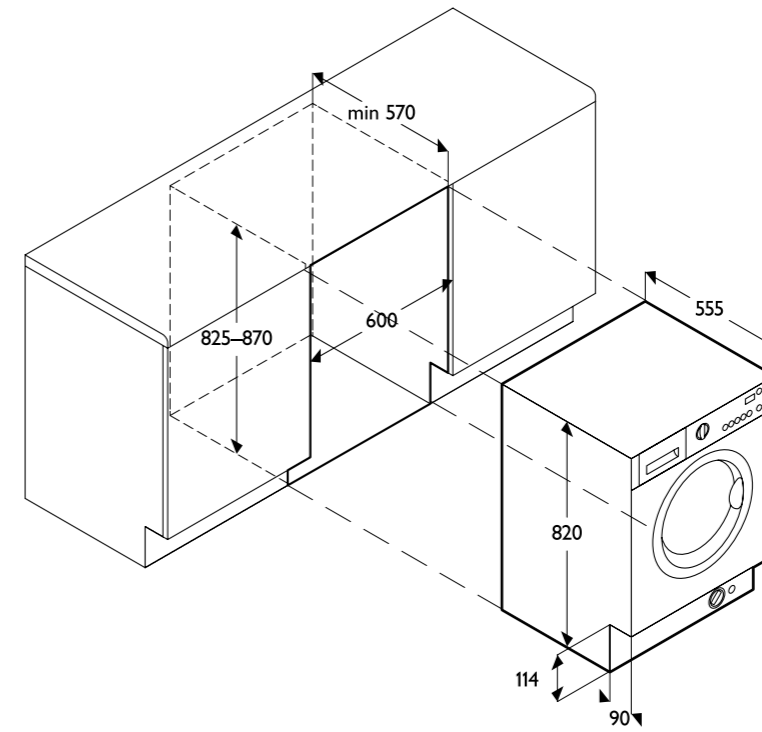
John Lewis
in-column single zone wine cabinet
JLWF611



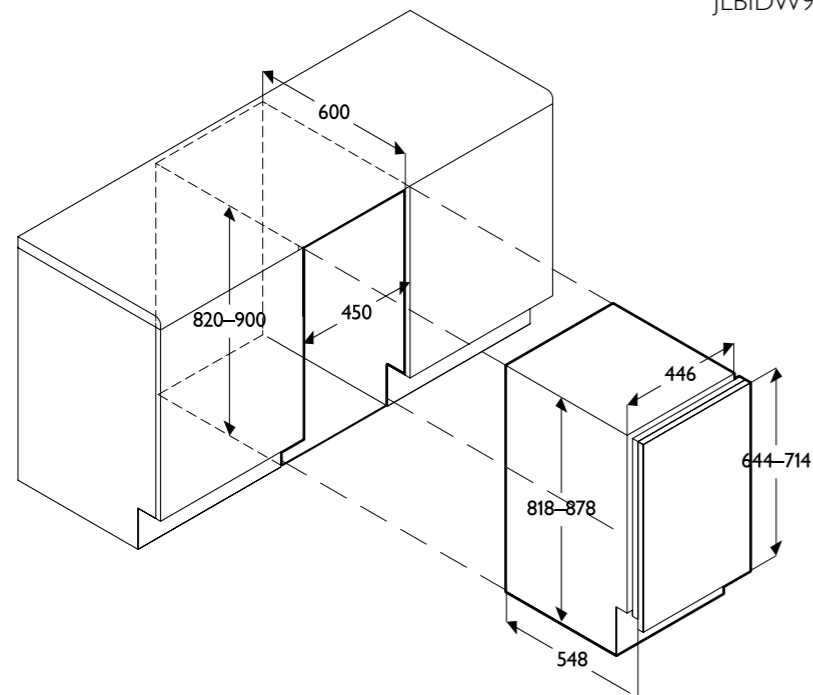
John Lewis integrated dishwasher
JLBIDW1205



John Lewis integrated washing machine
JLBIWM1403



John Lewis integrated slim-line dishwasher
JLBIDW902





Making shopping easier for you

Three ways to shop

We understand that shopping for home appliances can be a big decision, and we want your shopping experience to be as hassle-free and flexible as possible. That's why we offer three ways to shop. You can visit one of our stores, where our Partners can offer impartial advice and in-depth product knowledge, order by phone 7 days a week, or go online at johnlewis.com.

Our website offers the same level of service you'd find in our stores, as well as buying guides, and recommendations and reviews from other customers. Shopping on the go is now easier too, with a special version of johnlewis.com for your mobile. Whichever way suits you best, you can enjoy free standard delivery on orders over £30, and choose from a range of other convenient delivery options, including named day and weekday evening.

Experts on hand

Once you've chosen your new appliance, we can also offer a range of product services to help get it up and running. Our experts can install your new appliance, reverse fridge doors and even take away your old appliance to be recycled or reused. For more details and prices, go to johnlewis.com/installation

And if you're looking to plan your dream kitchen, our fitted kitchen service offers a range of stylish solutions for a range of budgets, all boasting a high level of craftsmanship and attention to detail. To see the range and find out more speak to one of our Partners in store, or go online.

Never Knowingly Undersold

It's a promise that began 80 years ago, and it's still going strong today. To us, value means much more than being competitive. It's about all those extras that are worth a lot, like impartial advice, or feeling confident that the product you've just bought will last. So whether you're shopping online or in store, you can always count on our fair prices, quality products and excellent service.

You can read the full Never Knowingly Undersold policy online, or pick up a leaflet in our stores.

Guarantees

Our guarantees ensure that our service doesn't end with your purchase. All our own brand home appliances come with the peace of mind of a guarantee at no extra cost. Please check online or in-store for full details. You can also buy a John Lewis Home Appliance Plan to include potential repair costs that occur once the guarantee has expired.

You can buy a Plan from us when you purchase your item, or if you prefer you can wait and buy it within 30 days of your purchase. To find out more, please visit your local store and pick up the relevant plan leaflet or talk to one of our Partners. You'll also find more information at johnlewis.com/serviceplan or by calling us on 0330 100 3250.

Guarantee and Added Care

Guarantee

All John Lewis appliances are covered by our guarantee, provided at no extra cost. Please check online or in-store for full details. This provides you with a repair service in the event of a breakdown of any mechanical parts of your product. This does not affect your statutory rights.

We provide the repair service without charge, up to a cost equal to the original purchase price paid for the product. All repair services are carried out by authorised service technicians.

If we can't repair your item, we'll replace it with an item of equivalent specification. If no equivalent product is available we'll discuss an alternative settlement with you, and we'll always do our best to make sure you are satisfied with the outcome.

During your guarantee period should you have any questions, please contact your local John Lewis store and to talk to one of our Partners.

Added Care

Add to your peace of mind with Added Care, you'll enjoy the same benefits for a period of up to 5 years, while also adding further benefits not included in the original guarantee.

You can buy John Lewis Added Care at the same time as you purchase the electrical item, or if you prefer, you can wait and buy it within 60 days of purchasing the item. Whether or not you purchase Added Care, you have various statutory rights that apply to the purchase of your electrical goods.

Your statutory rights include the right to claim for a repair or replacement for up to 6 years (5 in Scotland) if your electrical product was not of satisfactory quality or fit for purpose when we sold it to you. If a fault occurs within the first 6 months, it's up to us to establish that the product you purchased was of satisfactory quality and fit for purpose. However, after the first 6 months, you'll have to prove that the product had a fault when we first sold it to you.

Added Care for your home appliance is provided by The Warranty Group (Isle of Man) Limited.

Extended warranties are also available from alternative providers such as manufacturers and insurance companies. Some household contents insurance policies cover accidental damage.

You can cancel Added Care at any time. If you have not made a claim you cancel within 60 days from the date of purchase and you will receive a full refund of the premium paid. If you have made a claim you will receive a pro rata refund based on the number of full unexpired months remaining on your policy. After 60 days you may cancel the policy and will receive a pro rata refund based on the number of full unexpired months of cover remaining regardless of whether a claim has been made.

We're here to help

Call our Added Care team on 0330 100 3637
8am – 6pm Monday to Friday
9am – 4pm Saturday
9am – 5pm on Bank Holidays

John Lewis Added Care, PO Box 99,
Mitcheldean, GL17 0SX
johnlewis@thewarrantygroup.com

Delivery and Installation

On home appliances we offer free delivery within a wide delivery area when you purchase in store and online.

Timed deliveries, installation and disposal services are available at an additional charge. You can find out more by contacting your local store or visiting johnlewis.com/installation

Shopping is easy with John Lewis Shops

John Lewis, Aberdeen AB25 1BW	01224 625 000
John Lewis, Basingstoke	01256 406200
John Lewis, Bluewater DA9 9SA	01322 624 123
John Lewis, Brent Cross NW4 3FL	020 8202 6535
John Lewis, Birmingham B2 4QA	0345 604 9049
John Lewis, Cambridge CB2 3DS	01223 361 292
John Lewis, Cardiff CF10 1EG	02920 536 000
John Lewis, Cheadle SK8 3BZ	0161 491 4914
John Lewis, Chelmsford, CM1 1GD	0124 545 8400
John Lewis, Cribbs Causeway BS34 5QU	0117 959 1100
John Lewis, Edinburgh EH1 3SP	0131 556 9121
John Lewis, Exeter EX4 6NN	01392 284150
John Lewis, Glasgow G1 2GF	0141 353 6677
John Lewis, High Wycombe HP12 4NW	01494 462 666
John Lewis, Kingston KT1 1TE	020 8547 3000
John Lewis, Leicester LE1 4SA	0116 242 5777
John Lewis, Leeds, LS2 7AS	0113 3946299
John Lewis, Liverpool L1 8BJ	0151 709 7070
John Lewis, Milton Keynes MK9 3EP	01908 679 171
John Lewis, Newcastle upon Tyne NE99 1AB	0191 232 5000
John Lewis, Norwich NR1 3LX	01603 660 021
John Lewis, Nottingham NG1 3QA	0115 941 8282
John Lewis, Oxford Street W1A 1EX	020 7629 7711
John Lewis, Peterborough PE1 1NL	01733 344 644
John Lewis, Reading RG1 2BB	0118 957 5955
John Lewis, Sheffield S1 1EP	0114 276 8511
Peter Jones, Sloane Square SW1W 8EL	020 7730 3434
John Lewis, Solihull B91 3RA	0121 704 1121
John Lewis, Southampton SO15 1QA	02380 216 400
Knight & Lee, Southsea PO5 3QE	02392 827 511
John Lewis, Stratford E20 1EL	020 8532 3500
John Lewis, The Trafford Centre M17 8JL	0161 491 4040
John Lewis, Watford WD17 2TW	01923 244 266
John Lewis, Welwyn AL8 6TP	01707 323 456

John Lewis at home

John Lewis, Ashford TN25 4DT	01233 811 010
John Lewis, Chester CH1 4QQ	01244 393 880
John Lewis, Chichester PO19 7YH	01243 813 030

John Lewis, Croydon CR0 4XJ	020 8662 4730
John Lewis, Horsham RH12 1LP	01403 214 740
John Lewis, Ipswich IP3 9SQ	01473 275 850
John Lewis, Newbury RG14 1AY	01635 263 980
John Lewis, Poole BH12 1DN	01202 756 020
John Lewis, Swindon SN5 8WA	01793 733 180
John Lewis, Tamworth B78 3HD	01827 300 580
John Lewis, Tunbridge Wells TN2 3UP	01892 506 830
John Lewis, York YO32 9AE	01904 557 950

Visit johnlewis.com

Payment options



We also accept John Lewis gift vouchers.

Customer services 03456 049 049

Our Customer Service team are on hand 7 days a week, 7am to midnight, to answer any questions or queries you might have. (Please refer to your service provider for charges).

Please ask our store staff for our John Lewis fitted kitchens and electrical appliances brochures.



Terms and Conditions

For full Terms and Conditions Please visit our website at johnlewis.com and click on Customer Service. Your statutory rights are not affected.

Pricing policy We set highly competitive prices for all our products, with a dedicated team regularly checking them against other high street competitors. If we find a national high street competitor offering a better nationwide price for the same product, sold with the same service conditions, we'll lower our price to match in all our shops and on our website (johnlewis.com), including when a competitor is having a sale. Just occasionally you may find a temporary difference in price when one of our department stores is matching a local competitor. Our commitment to Never Knowingly Undersold means that whilst prices and services details are correct at the time of going to press they may change over time, prices include VAT at 20% and exclude delivery charges. Correct prices will be notified at the time of ordering, but please check www.johnlewis.com or call 08456 049 049 for our current prices. We don't expect you to find a lower price at another high street competitor for the same product, sold with the same service conditions, but if you can, we'll match the price when you purchase or refund the difference for up to 28 days after you've bought from us.

*See our Never Knowingly Undersold leaflet in store or online for details. This publication supersedes all previous publications and is valid from May 2016.

Supply All products shown are subject to availability.

We reserve the right to refuse to supply any individual or company. You must be over 18 years of age to order from this catalogue.

Cancellation You are entitled to cancel your order within 7 working days of receiving delivery. If you wish to cancel your order at any point please call us on 03456 049 049 between 7am and midnight, 7 days a week, or email us at customerservices@johnlewis.com. If you have already received your order and wish to return it, please refer to our refund policy (see below, or online and in our shops for full details).

Our Refund Policy

Exchanges and refunds We want you to be happy with your purchase. If you're not, just return the item with proof of purchase and we'll exchange or refund it.

Proof of purchase If you want a refund but don't have your original till or gift receipt, your order confirmation or delivery note, we will give you gift vouchers to the value of the current selling price.

Condition of returns It is important that returned items are in the best possible condition, so please take reasonable care of them.

Delivery charges We will refund any delivery charges shown on your proof of purchase, provided you return the full order. Please see online for our full refund policy covering all items sold by John Lewis Direct.

None of the above conditions affect your statutory rights when goods are faulty, or not as described. For your rights of cancellation under the Consumer Protection Distance Selling Regulations please see online for terms and conditions.

Our details For Customer Services, please call 03456 049 049, 7am to midnight, 7 days a week. Email us at customerservices@johnlewis.com

Write to:

John Lewis Direct, PO Box 19615, Erskine PA8 6WU
Our registered office is: John Lewis PLC, 171 Victoria Street, London SW1E 5NN. Registered in England No. 233462. VAT No. GB232457280

Accuracy; We take all reasonable care to ensure that all details, descriptions, guarantees and prices of products appearing in this brochure are correct at time of going to press. We reserve the right to amend these. We take all reasonable care to ensure colours are accurate, however the limitations of print production may mean slight variation. All sizes are approximate.

© John Lewis 2016

John Lewis Partnership
171 Victoria Street
London SW1E 5NN
johnlewis.com
Registered in England

11.16

John Lewis
in store | online | mobile