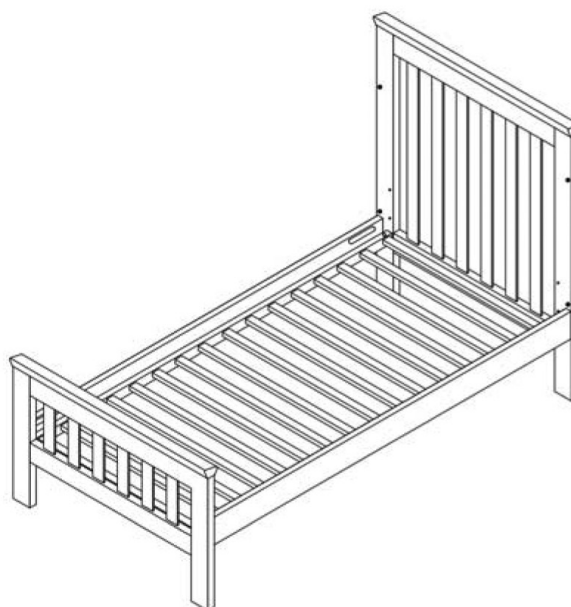


Lasko cotbed



Instruction manual

Important
Retain for future reference
Please read carefully

John Lewis

Thank you for purchasing this Lasko cotbed. Please read the instructions and warnings carefully before use to ensure safe and satisfactory operation of this product.

Your child's safety is your responsibility. If you have a query with this product or require replacement parts, please contact your nearest John Lewis department store.

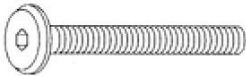



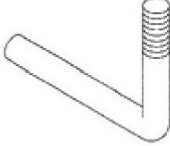

Lay out the parts on a soft level surface and compare to the part/fixings below. Do not discard any packaging until you are sure that you have all the parts.

Ensure that your child is kept clear during assembly due to small parts.

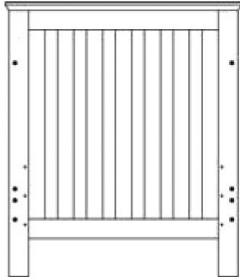
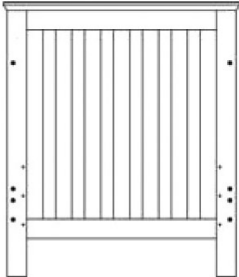
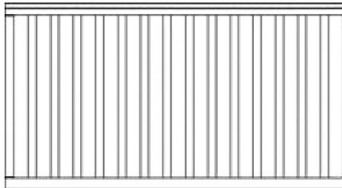
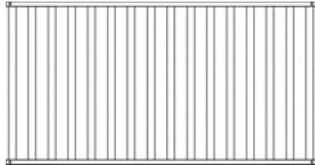
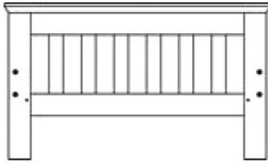

Recommended mattress: 140 x 70cm.

This product complies with BS EN 716:2008 and BS EN 8509:2008

Fixings

- | | | |
|--|--|---|
| 1.

Cot screws (6x50) x 8 | 2.

Slotted nuts x 4 | 3.

Bed bolts (6x50) x 8 |
| 4.

Semi-circular blocks x 8 | 5.

Mattress base supports x 4 | 6.

4 mm Allen Key x1 |

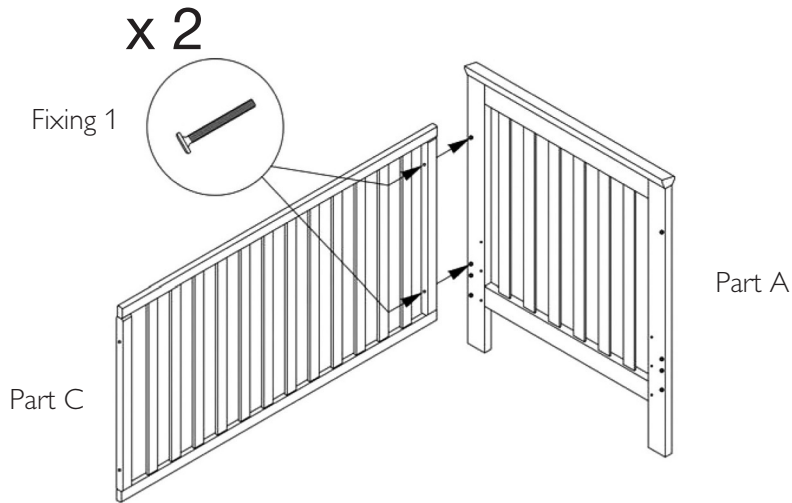
Parts

- | | | |
|--|--|---|
| A.

Cot end left x 1 | B.

Cot end right x 1 | C.

Cot sides x 2 |
| D.

Mattress base x 1 | E.

Bed end x 1 | F.

Bed rails x 2 |

Cot assembly - Step 1

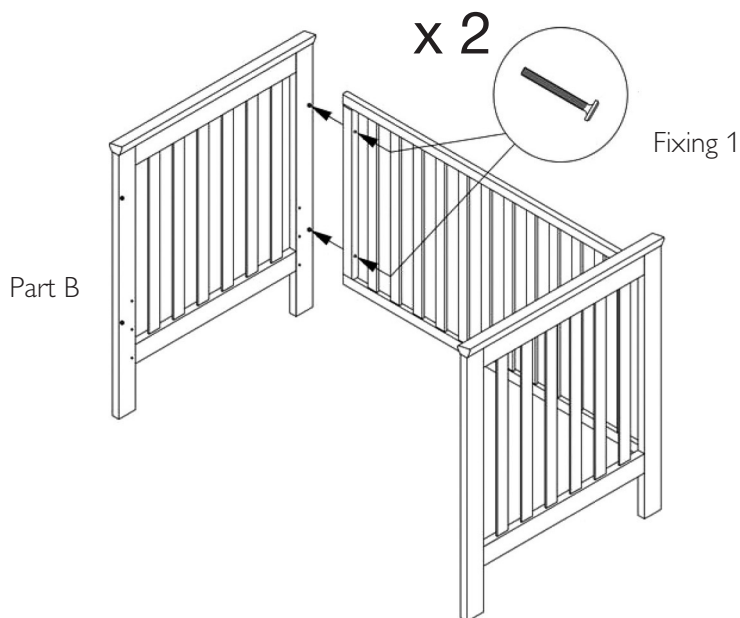
You will need:

- 1 x Flat-head screwdriver
- 1 x Cross-head screwdriver
- 1 x Allen key (supplied)



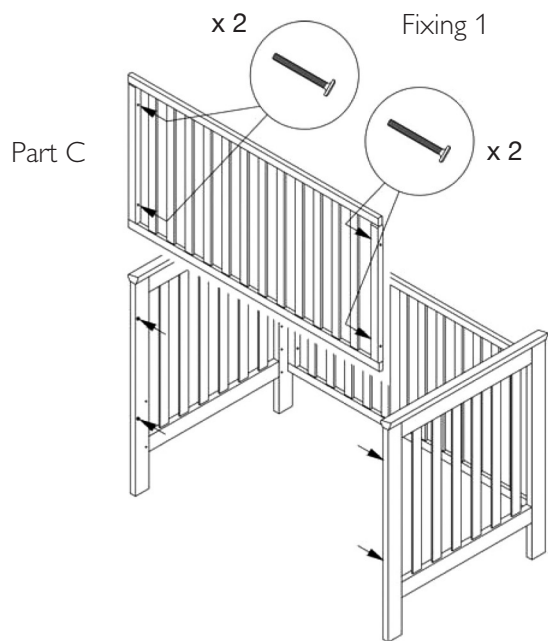
Insert 2 cot screws (fixing 1) through holes at end of cot side (Part C), and into threads in cot end (Part A). Loosely assemble – do not tighten.

Cot assembly - Step 2



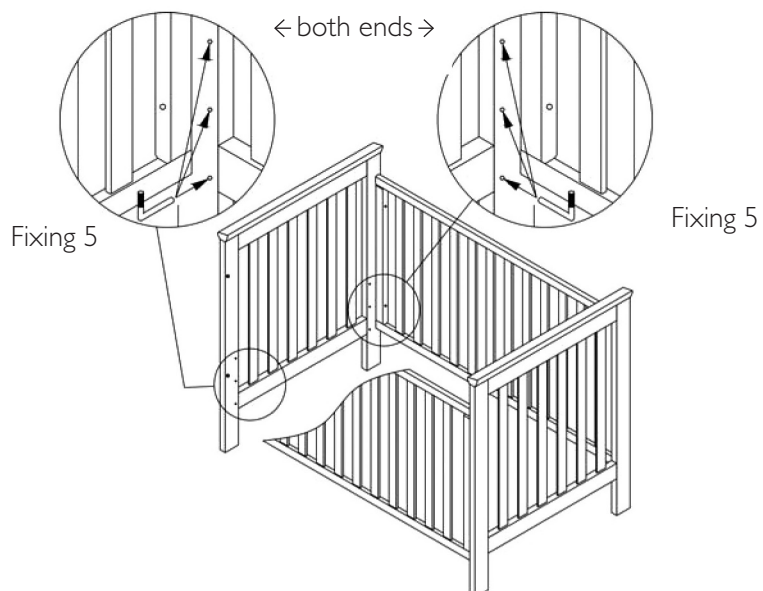
Insert 2 cot screws (fixing 1) through holes at other end of cot side (Part C), and into threads in cot end (Part B). Loosely assemble – do not tighten.

Cot assembly - Step 3



Attach the other cot side (Part C) by fitting the 4 remaining cot screws (fixing 1) into the threads in the cot ends. Tighten all 8 screws.

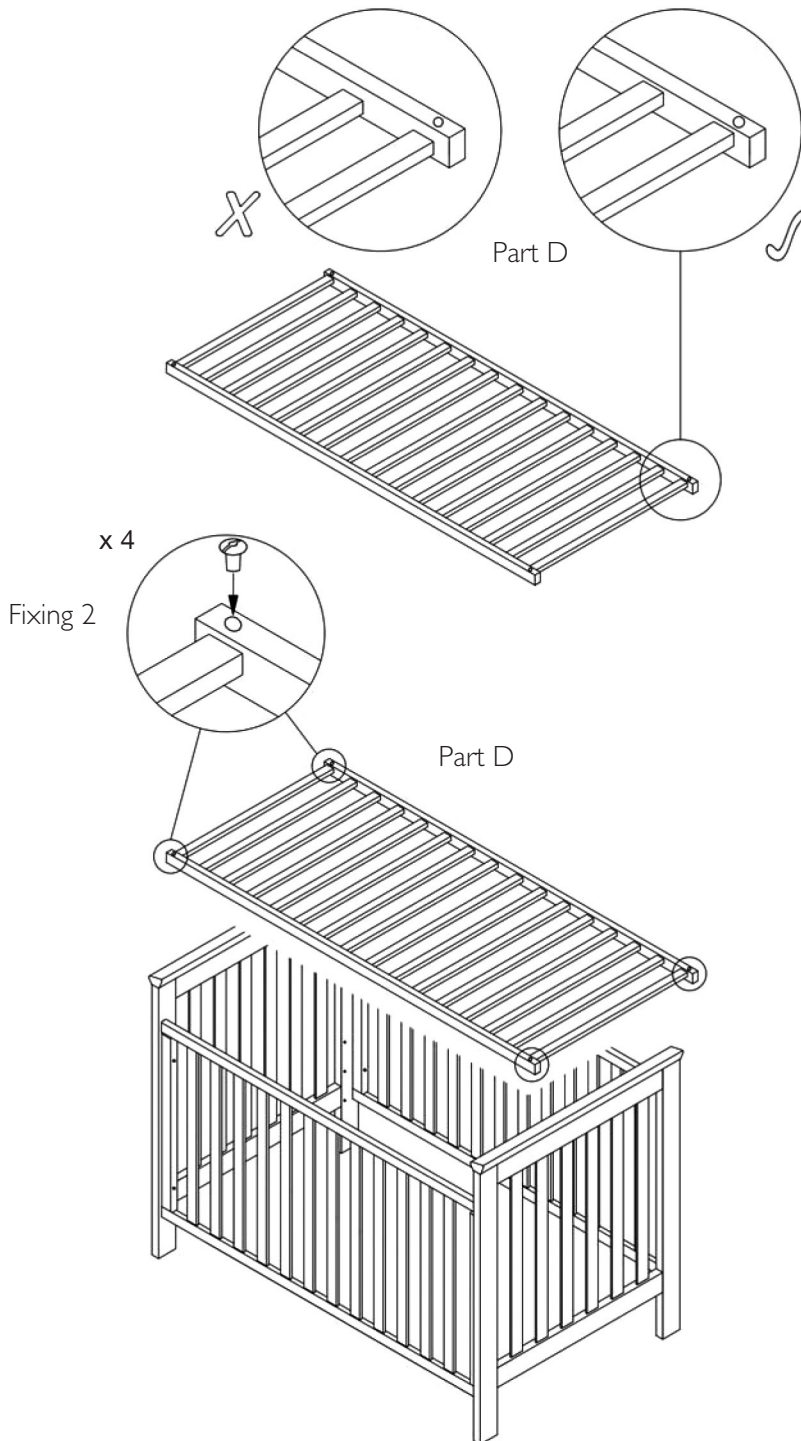
Cot assembly - Step 4



Choose preferred mattress base height – 3 options.
Insert plain end of mattress base support (fixing 5) into hole in cot end (threaded end pointing upwards).

Cot assembly - Step 5

Fixing 2 x 4 pieces



Check that the mattress base (Part D) is the right way up - the slats should be nearest the top. Lower mattress base into cot and engage threaded end of mattress base supports with holes in corners of mattress base. Screw slotted nuts (fixing 2) to mattress base supports to secure mattress base and tighten. Keep unused parts in a safe place for changing the cot into a bed in the future.

Care and maintenance

Your furniture may be cleaned by wiping with a damp cloth and drying with a soft clean cloth.

Do not use abrasives, bleach, alcohol or ammonia-based household polishes.

Take care when handling or moving the furniture. Careless handling may cause damage.

Safety notes

Furniture can be dangerous if incorrectly installed. Assembly should be carried out by a competent person.

Keep children clear during assembly as pack contains small parts which may present a choking hazard.

WARNING: Be aware of the risks of open fires and other such sources of strong heat, such as electric bar fires, gas fires, etc. in the near vicinity of the cot.

WARNING: Do not use the cot if any part is broken, torn or missing and use only spare parts approved by the manufacturer.

WARNING: Do not leave anything in the cot or place the cot close to another product, which could provide a foothold or present a danger of suffocation or strangulation, e.g. strings, blind/curtain cords, etc.

WARNING: Do not use more than one mattress in the cot.

The lowest base position is the safest, and should be used as soon as your baby is old enough to sit up.

The thickness of the mattress chosen must not reduce the internal depth (from the top of the mattress surface to the top of the side) to less than 500mm with the base in its lowest position or 200mm with the base in the highest position. The high bed ends of the cotbed have a mark indicating this height.

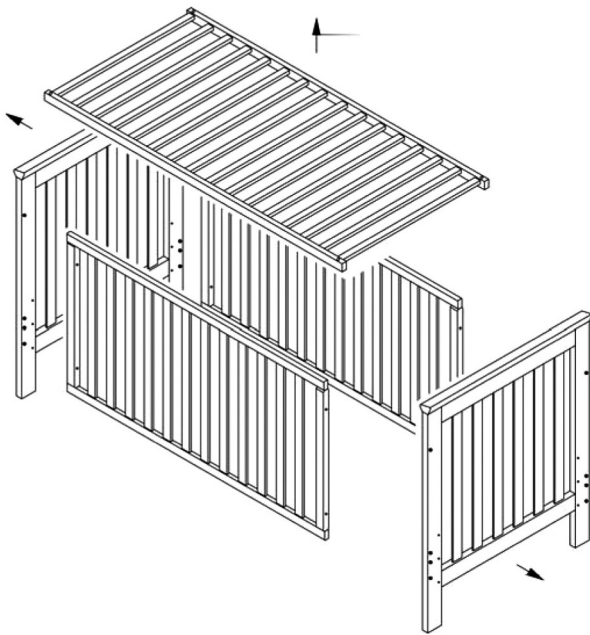
The mattress should be no more than 30mm shorter or narrower than the internal length or width of the cotbed.

All assembly fixings should always be tightened properly. Periodically check all fixings to ensure none have come loose, and that there is no risk of clothing or parts of the body becoming snagged or trapped.

To prevent falls, when the child is able to climb out of the cot, the cot should no longer be used for that child.

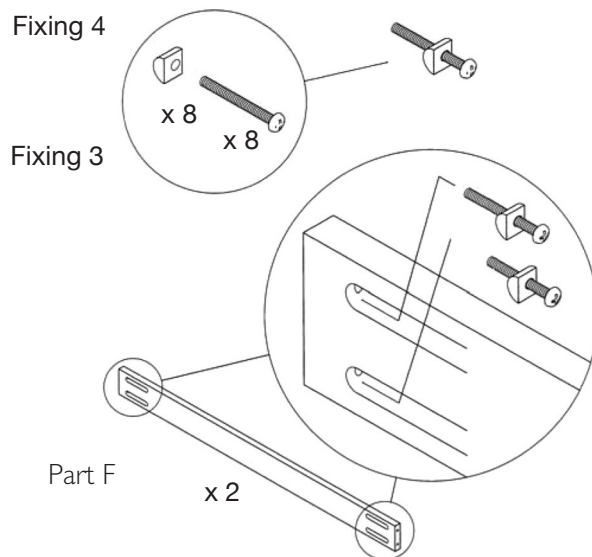
Do not allow your child to jump on the cot. This may result in damage to the furniture and/or injury to your child

Junior bed assembly - Step 1



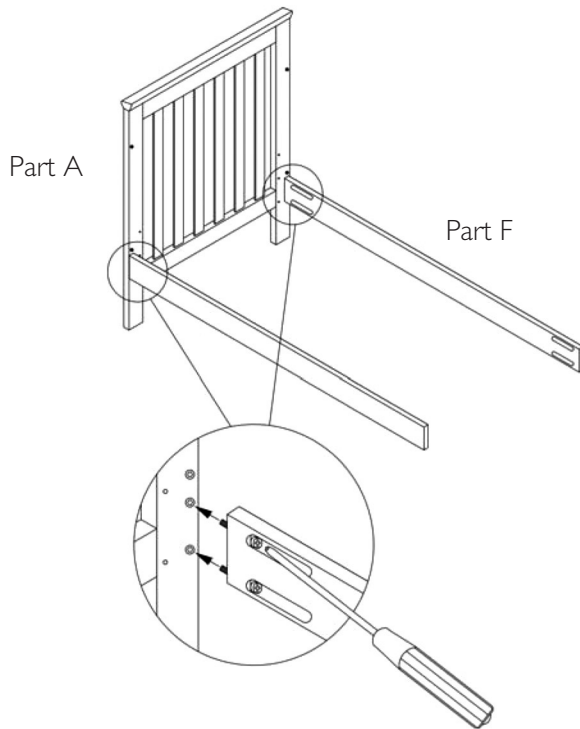
Dismantle the cot following the previous steps in reverse.

Junior bed assembly - Step 2



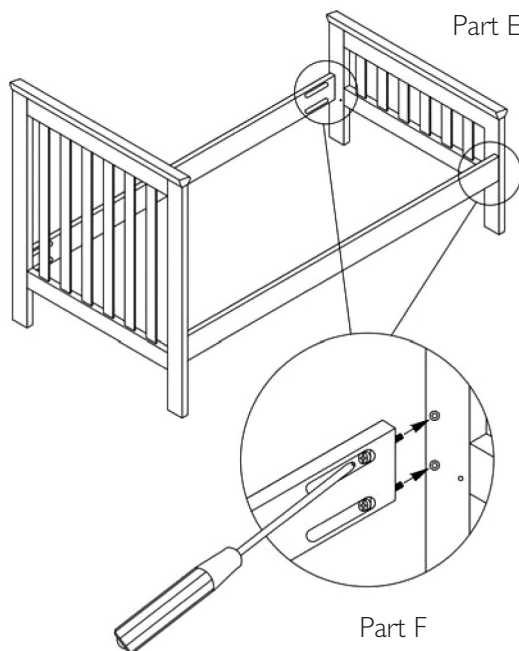
Fit each of the bed bolts (fixing 3) to the semi-circular blocks (fixing 4) as shown. Insert the bolt and block assemblies into each of the oblong slots in the side rails (Part F) and feed them through the holes, as shown.

Junior bed assembly - Step 3



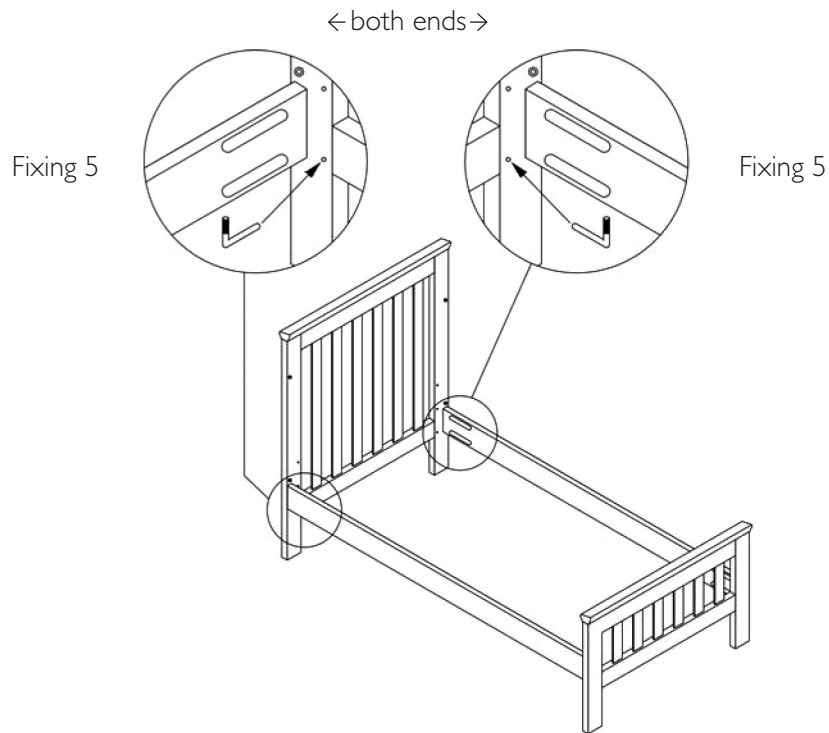
Locate each bed rail (Part F) on the bed end (Part A) as shown. Using a screwdriver tighten the bed bolts.

Junior bed assembly - Step 4



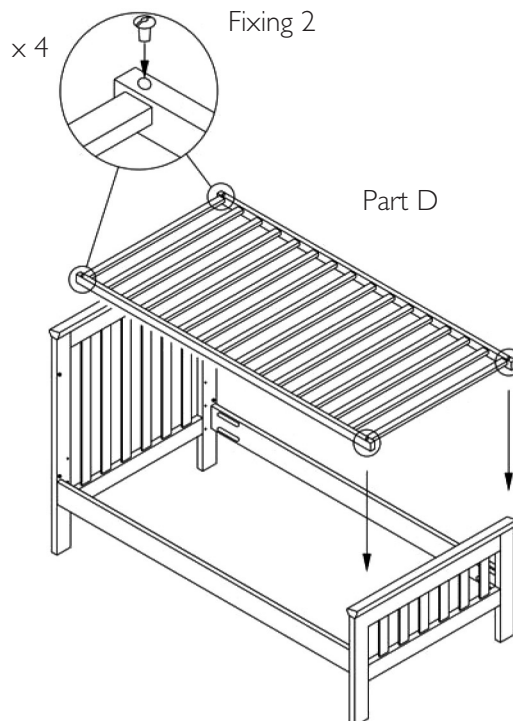
Locate each bed rail (Part F) on the bed end (Part E) as shown. Using a screwdriver tighten the bed bolts.

Junior bed assembly - Step 5



Insert plain end of mattress base support (fixing 5) into lower hole in cot end and bed end (threaded end pointing upwards). Check that the mattress base is the right way up - the slats should be nearest the top.

Junior bed assembly - Step 6



Lower mattress base (Part D) onto bed, engage threaded end of mattress base supports with holes in corners of mattress base. Screw slotted nuts (fixing 2) to mattress base supports to secure mattress base, tighten. Keep unused parts in a safe place for changing the bed into a cot in the future.

Care and maintenance

Your furniture may be cleaned by wiping with a damp cloth and drying with a soft clean cloth.

Do not use abrasives, bleach, alcohol or ammonia-based household polishes.

Take care when handling or moving the furniture. Careless handling may cause damage.

Wood Furniture

Wood displays different grain patterns depending on which way they cut - for example, the 'medullary ray' which can appear on oak furniture is a mark of good quality timber - these are just characteristics of the natural beauty of the wood. Some furniture is also deliberately aged or rustic.

Wood veneers also allow distinctive patterns to be created on flat surfaces, such as table tops or drawer fronts by the way the slivers are arranged.

All timber surfaces will change colour and mellow over time. New furniture will initially vary in shade from items that have previously purchased.

Safety notes

For ages 18 months to 4 years.

WARNING: Do not place this child's bed near heat sources, windows and other furniture.

WARNING: Do not use this child's bed if any part is broken, torn or missing.

The mattress should be no more than 30mm shorter or narrower than the internal length or width of the bed. Suitable for use with a mattress of 1400mm in length, 700mm in width and a maximum thickness of 100mm.

Furniture can be dangerous if incorrectly installed. Assembly should be carried out by a competent person.

All assembly fixings should always be tightened properly. Periodically check all fixings to ensure none have come loose, and that there is no risk of clothing or parts of the body becoming snagged or trapped.

Do not allow your child to jump on the bed. This may result in damage to the furniture and/or injury to your child.

The bed should be placed either tight against a wall or a minimum gap of 300mm should be left between the wall and the bed to avoid danger of suffocation.

Keep children clear during assembly as pack contains small parts which may present a choking hazard.

Retain this information leaflet for future reference.

