

John Lewis

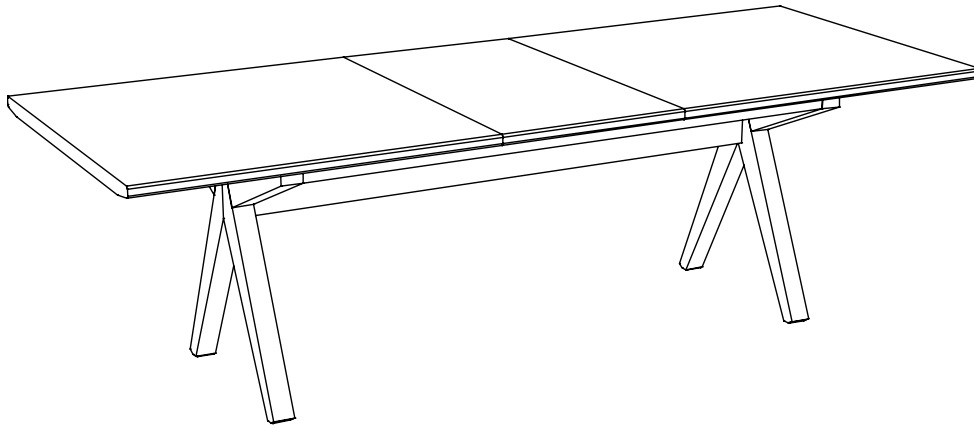
# **NOAH - EXT DIN TBL 160-205x90, OAK** **- EXT DIN TBL 200-255x100, OAK**

Stock number: 836/04801  
836/04802

---

Thank you for purchasing this Noah extending table. Please read the instructions carefully before use to ensure safe and satisfactory operation of this product.

---



---

## **Pre-assembly preparation**

Please ensure instructions are read in full before attempting to assemble this product.

---

### **Necessary Tools**



---

Please check the pack contents before attempting to assemble this product. A full checklist of components is given in this leaflet. If any components are missing, please contact the retailer from whom you bought this product.

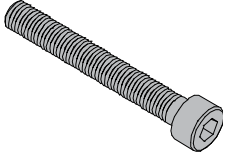
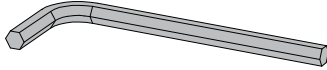

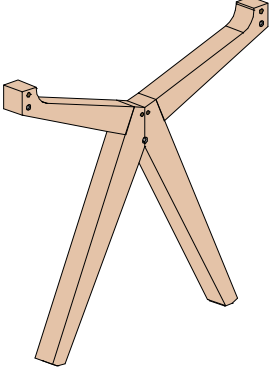
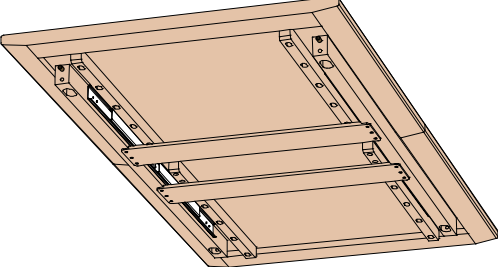
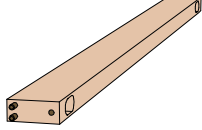
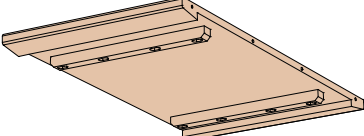
This product is **HEAVY**, it should be assembled as near as possible to the point of use. **TAKE CARE WHEN LIFTING** to avoid personal injury and (or) damage to the product. (Include if relevant)

This product takes approximately **30 MINUTES** to assemble with **2 PEOPLE**.

The fittings pack contains **SMALL ITEMS** which should be **KEPT AWAY FROM YOUNG CHILDREN**.

Read this leaflet in full before commencing assembly.

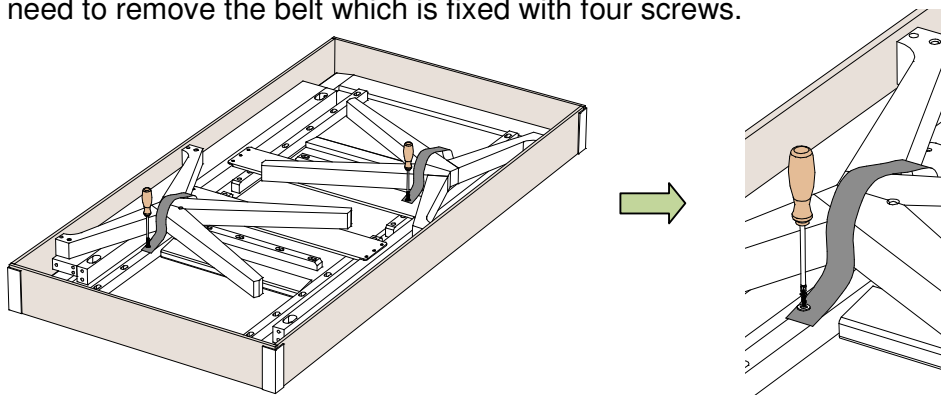
## Fittings and parts checklist

A	ALLEN Bolts x 6		C	ALLEN Key x 1	
B	Washers x 6				
1	Base sides (legs) x 2		3	Table top x1	
2	Middle stretcher x1		4	Table extension x1	

## Step by step assembly instructions

### Step One

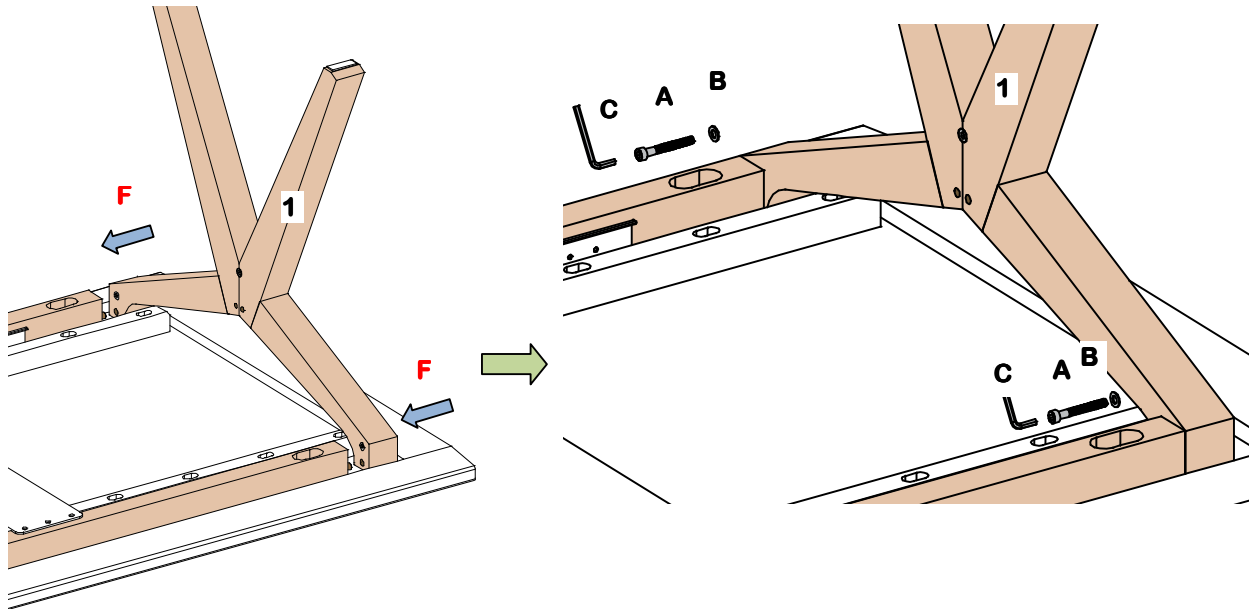
1. Carefully unpack master carton, containing table top, table leaf, two table base sides (legs), middle stretcher and small box of hardware.
2. Assemble the table on a flat clean soft surface to prevent damage. Place table top on this surface facing upside down.
3. Table legs are fixed for transport with the fabric belt. Before assembling the table you need to remove the belt which is fixed with four screws.



---

## Step Two

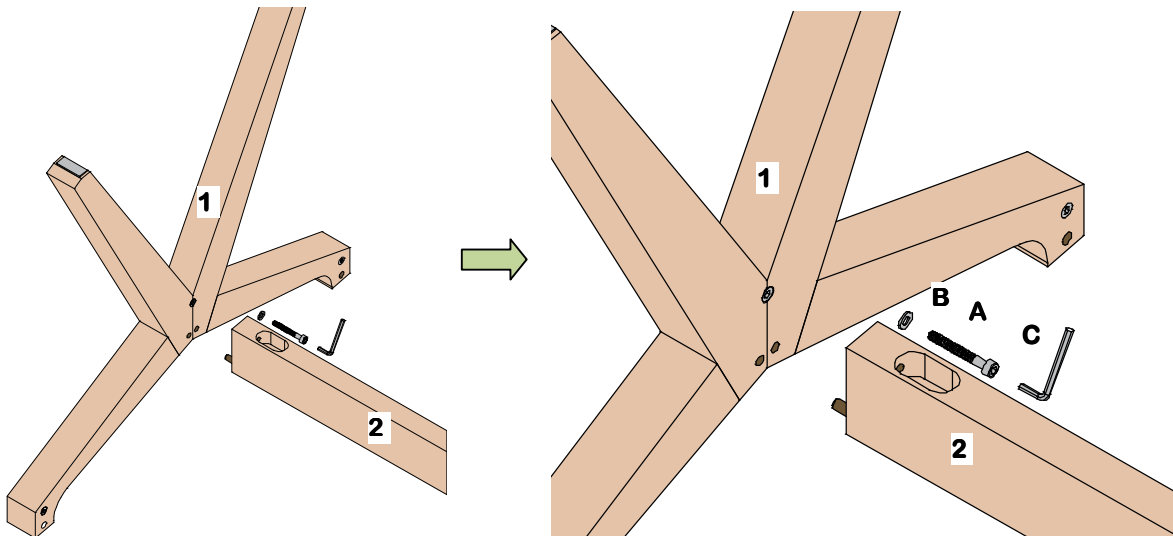
1. Attach base side(1) to the base rail ( see dowels) on your right side
2. The joint between the base side (1) and base rails secure with bolt (A) and washer (B) as shown in the picture
3. Tighten with Allen key (C)



---

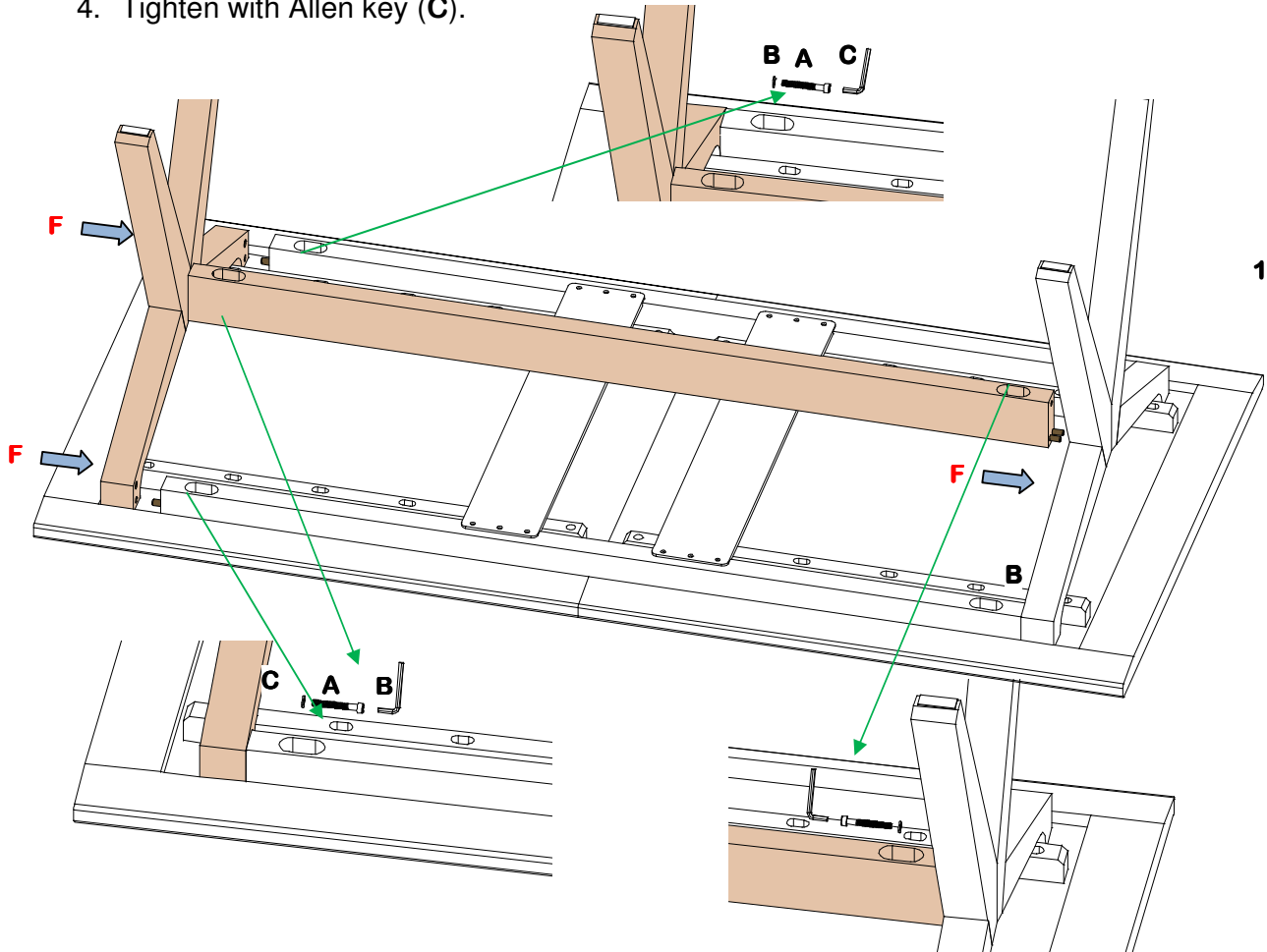
## Step Three

1. Attach base middle stretcher (2) to the left side table base (1) and secure joint with bolt (A) and washer (B).
2. Tighten with Allen key (C).



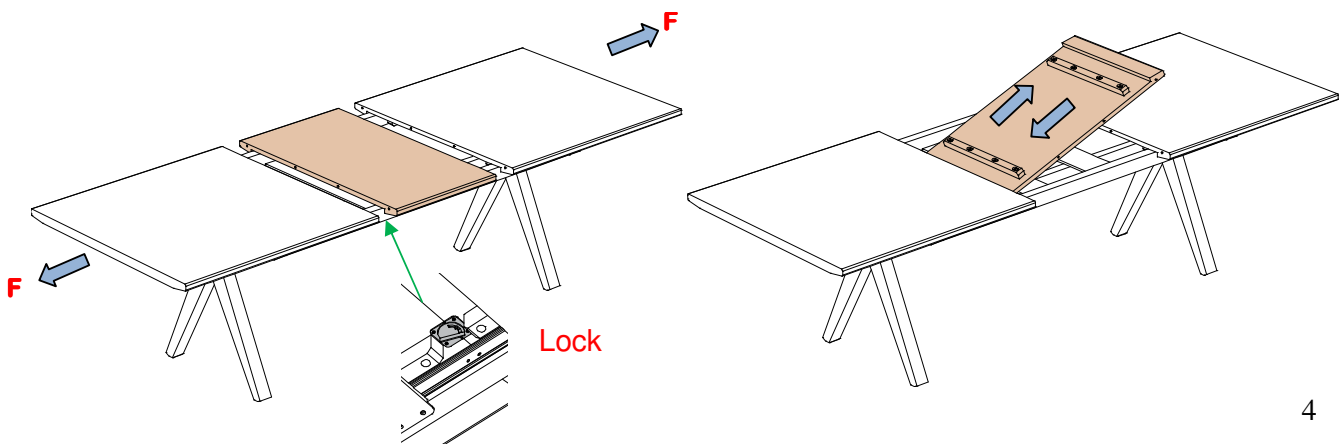
## Step Four

3. Attach left side of the table base (1) with stretcher (2) to the right side base and base rails and secure all three joints with bolt (A) and washer (B) as shown in picture.
4. Tighten with Allen key (C).



## Step Five

1. For extending the table pull both table leaves apart, pull the extension out of the table base and put table extension on its place.
2. Lock the leaves and extension with four round sash locks – under the table top.



---

## Care and Maintenance

---

### Wood Furniture

Wood displays different grain patterns depending on which way they cut - for example, the 'medullary ray' which can appear on oak furniture is a mark of good quality timber - these are just characteristics of the natural beauty of the wood.

All timber surfaces will change colour and mellow over time. New furniture will initially vary in shade from items that have been previously purchased.

### How to care for your wood furniture

Furniture with hard lacquer surface should be dusted with a dry cloth.

Spray polishes are best avoided as they contain silicones which may spoil the furniture's surface by building up over time.

Make sure all surfaces are protected from heat and liquids by mats and coasters. Wipe up spills immediately and ensure that a mat or pad is placed under paper if you are writing.

Extendable dining tables should be left extended for the first few months to avoid an uneven appearance. Likewise, lamps and ornaments should also be moved regularly.

Our furniture will endure most temperatures in the home but it is best to avoid placing furniture next to heat sources such as radiators or fires. Be particularly careful with solid wood as the lack of humidity caused by central heating can cause damage such as warping

Protect surfaces from scratches and marks by using mats and coasters.

---

## Safety Instructions

---

### General warnings:

Never drag furniture when moving it, always lift it.

Periodically check all fixings to ensure none have come loose and re-tighten where necessary.

Please take care when handling or moving the furniture as careless handling may cause damage or injury.

Furniture can be dangerous if incorrectly installed. Assembly should be carried out by a competent person. No liability will be accepted for damage or injury caused by incorrectly installed or assembled furniture.

### Specific warnings for heavy items:

It is recommended that before moving heavy objects to a new location they are completely disassembled to avoid personal injury or damage to the furniture. Please be careful to retain all fittings when doing this.

**PLEASE KEEP THESE INSTRUCTIONS FOR FUTURE REFERENCE**

John Lewis Partnership 171 Victoria Street London SW1E 5NN

[www.johnlewis.com](http://www.johnlewis.com)