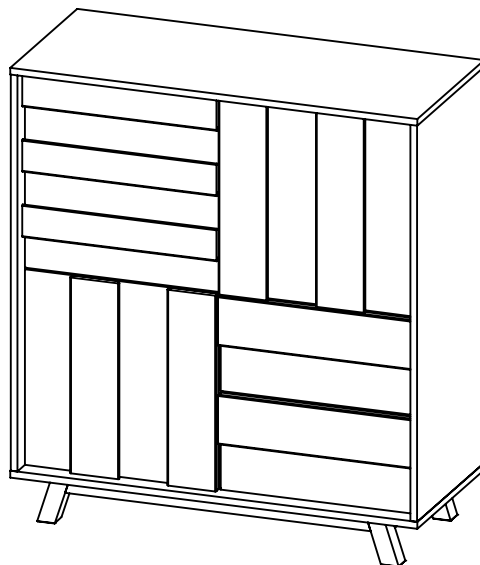


# NOAH Tall 4 cupboard

Stock number: 45101

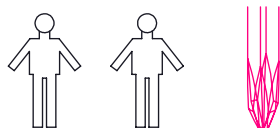
Thank you for purchasing Noah Tall 4 cupboard. Please read the instructions carefully before use to ensure safe and satisfactory operation of this product.



## Pre-assembly preparation

Please ensure instruction are read in full before using this product

### Necessary Tools



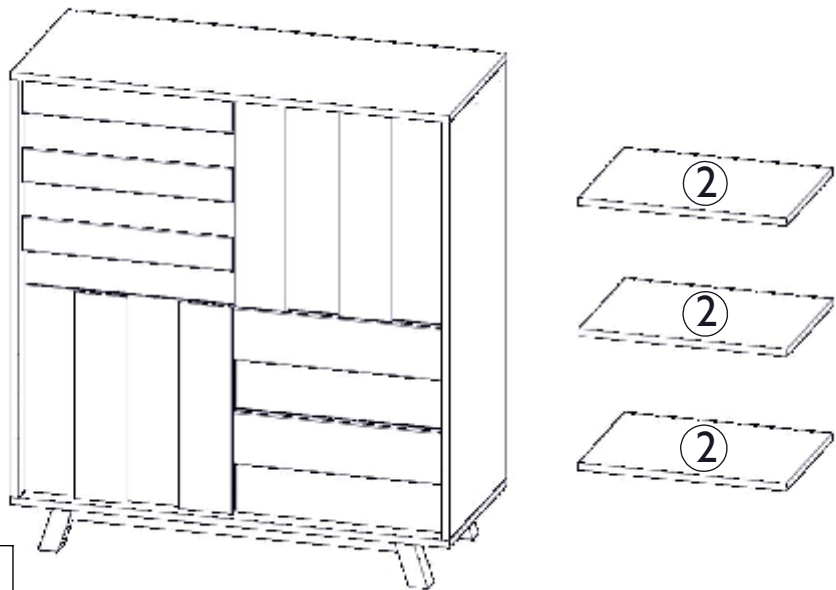
A full checklist of components is given in this leaflet. If any components are missing, please contact the retailer from whom you bought this product.

This product is **HEAVY, TAKE CARE WHEN LIFTING** to avoid personal injury and (or) damage to the product.


The fittings pack contains **SMALL ITEMS** which should be **KEPT AWAY FROM YOUNG CHILDREN**.

Read this leaflet in full before commencing assembly.

## Fittings and parts checklist

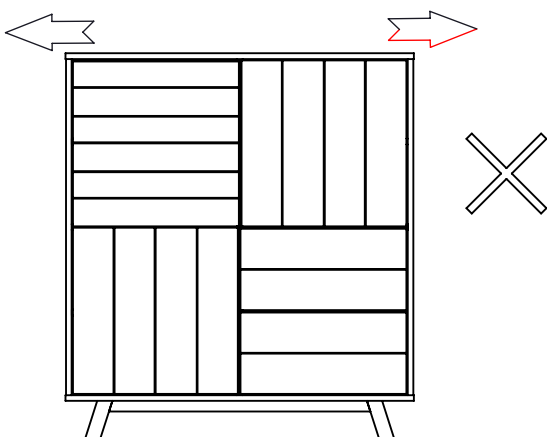


Part 1	Carcass x 1
Part 2	Shelf x 3

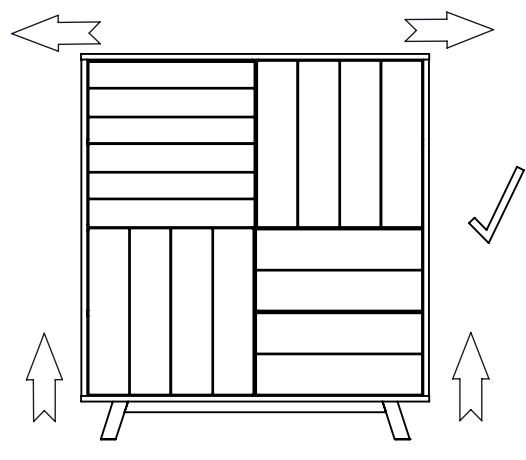
A	Shelf supports x 12	
---	---------------------	---

### WARNING

Always lift the unit from the base when moving it, do not drag along the ground, as this may damage the legs. It is recommended that two people should move the unit, never move it alone.



NEVER DRAG UNIT ALONG THE GROUND

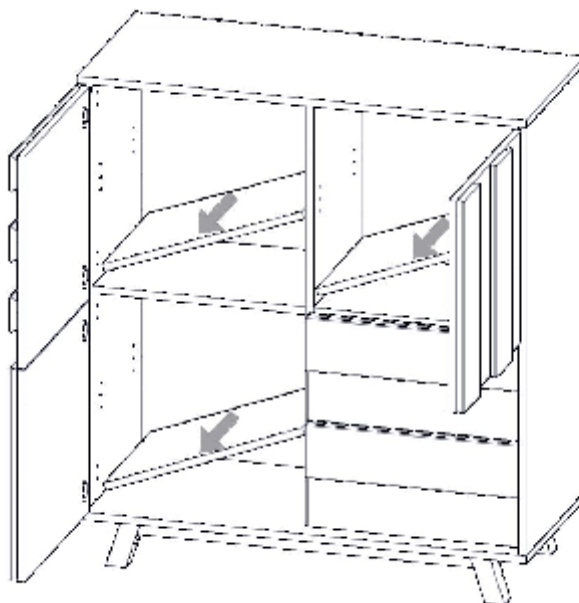
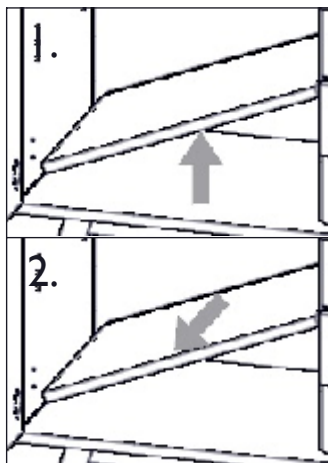


ALWAYS LIFT THE UNIT FROM THE BASE WHEN MOVING

## Step by step assembly instructions

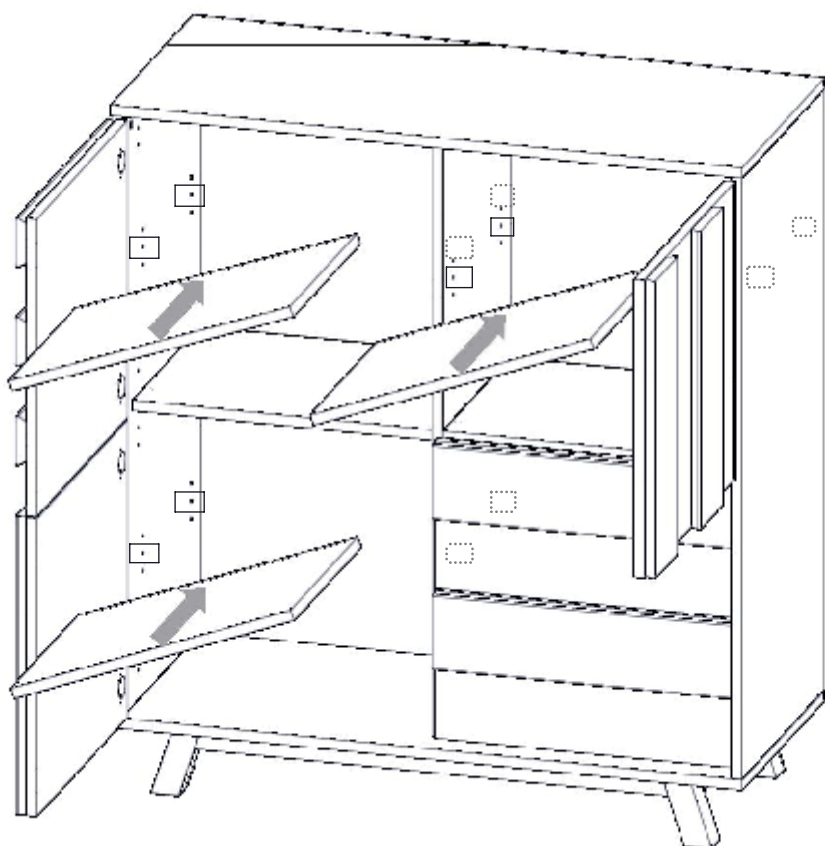
### Step One

1. Pick up the three shelves (2) from the bottom.
2. Take the shelves out from the carcass at an angle.

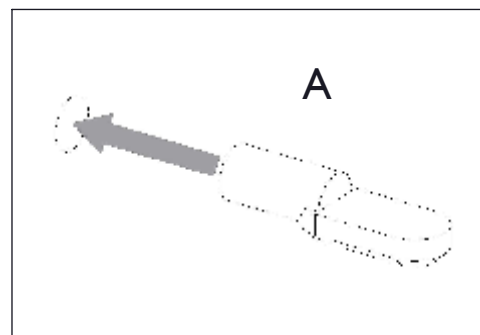


### Step Two

1. Attach the eight shelf supports (A) to the holes on the LH side of the carcass.
2. Attach the four shelf supports (A) to the holes on the RH side of the carcass.
3. Insert the three shelves (2) onto the shelf supports (A).

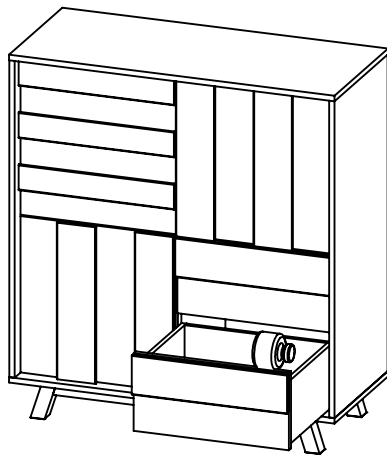
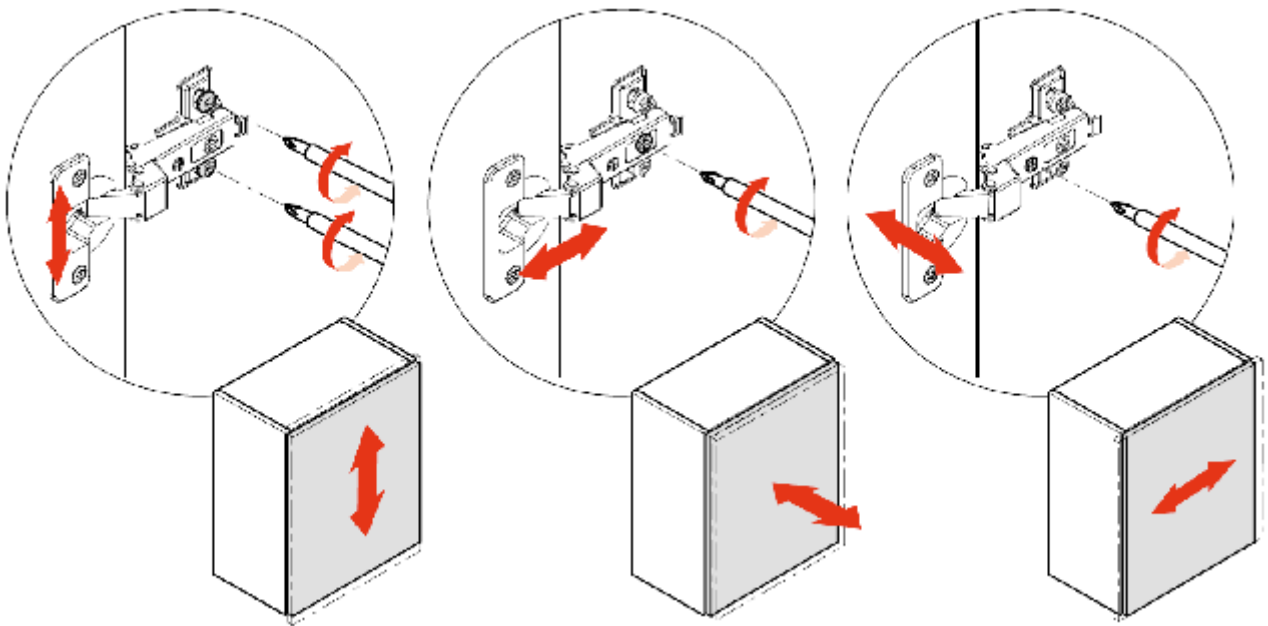


Ax12



---

These pictures show adjustment of the doors



**MAX LOAD 30 kg  
EACH DRAWER**

---

## Care and maintenance

---

### Wood Furniture

Wood displays different grain patterns depending on which way they cut - for example, the 'medullary ray' which can appear on oak furniture is a mark of good quality timber - these are just characteristics of the natural beauty of the wood. Some furniture is also deliberately aged and rustic.

Wood veneers also allow distinctive patterns to be created on flat surfaces, such as table tops and drawer fronts by the way the slivers are arranged.

All timber surfaces will change colour and mellow over time. New furniture will initially vary in shade from items that have been previously purchased.

### How to care for your wood furniture

Furniture with a hard lacquer, wax polish or painted surface should be dusted with a dry cloth.

Waxed furniture will need to be given a coat of beeswax a couple of times a year to help maintain its luster.

Spray polishes are best avoided as they contain silicones which may spoil the furniture's surface by building up over time.

Make sure all surfaces are protected from heat and liquids by mats and coasters. Wipe up spills immediately and ensure that a mat or pad is placed under paper if you are writing.

Our furniture endure most temperatures in the home but it is the best to avoid placing furniture next to heat sources as radiators or fires. Be particularly careful with solid wood as the lack of humidity caused by central heating can cause damage such as warping.

---

## Safety instructions

---

### General warnings:

Never drag furniture when moving it, always lift it.

Periodically check all fixings to ensure none have come loose and re-tighten when necessary.

Please take care when handling or moving the furniture as careless handling may cause damage or injury.

Furniture can be dangerous if incorrectly installed. Assembly should be carried out by a competent person.

No liability will be accepted for damage or injury caused by incorrectly installed or assembled furniture.

### Specific warning for heavy items:

It is recommended that before moving heavy objects to a new location they are completely dis-assembled to avoid personal injury or damage to the furniture. Please be careful to retain all fittings when doing this.

### PLEASE KEEP THESE INSTRUCTIONS FOR FUTURE REFERENCE

John Lewis Partnership 171 Victoria Street London SW1E 5NN

[www.johnlewis.com](http://www.johnlewis.com)