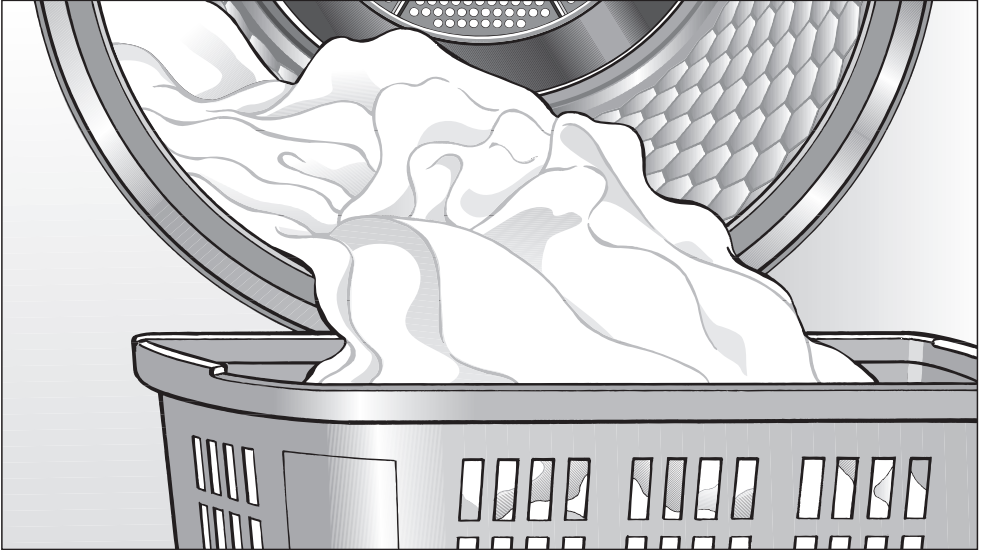


Operating instructions



for vented tumble dryer T 8722

To avoid the risk of accidents
or damage to the appliance
it is **essential** to read these
instructions before it is installed
and used for the first time.

en - GB

M.-Nr. 07 847 000

Caring for the environment

Disposal of the packing material

The transport and protective packing has been selected from materials which are environmentally friendly for disposal and should be recycled.

Ensure that any plastic wrappings, bags, etc are disposed of safely and kept out of the reach of babies and young children. Danger of suffocation.

Disposal of your old appliance

Electrical and electronic appliances often contain materials which, if handled or disposed of incorrectly could be potentially hazardous to human health and to the environment. They are, however, essential for the correct functioning of your appliance. Please do not therefore dispose it with your household waste.



Please dispose of it at your local community waste recycling centre or contact your dealer for advice. Ensure that it presents no danger to children while being stored for disposal.

Energy saving tips

To avoid unnecessarily long drying times and high consumption of energy:

- Make sure that your laundry is thoroughly spun before drying.

The higher the spin, the greater the savings that can be made in energy and time during drying.

- Load according to the optimum amount of laundry recommended for the programme being used (see "Programme chart").

Underloading is uneconomical. Overloading gives a poorer quality of drying and may cause unnecessary creasing.

- Make sure the room in which the dryer is located is well ventilated.
- Make sure the fluff filter is clean before using the dryer.
- Check all parts of the ventilation system on a regular basis and remove any build up of fluff etc.
- The vent ducting should be as short, straight and smooth as possible to minimise any resistance to the air throughflow.

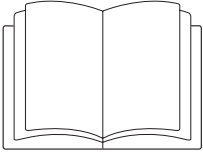
Caring for the environment	2
Warning and Safety instructions	6
Operating the tumble dryer	14
Control panel	14
Notes on laundry care	16
Garment care label symbols	16
Tips on drying	16
How to dry correctly	17
Brief instructions	17
Extra options / Delay start	20
Extra options	20
Low temperature	20
Buzzer	20
Delay start	20
Programme chart	21
Changing the programme sequence	24
Once a programme has started	24
- changing the programme	24
- cancelling the programme and then selecting a different programme	24
- cancelling the programme and then removing the laundry	24
Altering Delay start	24
Adding or removing laundry after a programme has started	24
Time remaining	24
Electronic system lock	25
Cleaning and care	26
Cleaning the fluff filter	26
Cleaning the grilles in the door opening	27
Cleaning the tumble dryer	27

Contents

Problem solving guide	28
Check and fault messages	28
An unsatisfactory drying result	31
Other problems	32
Changing the lamp	34
After Sales service	35
Repairs	35
Future updates (PC)	35
Appliance guarantee	35
Optional accessories	35
Installation and connection	36
Front view	36
Rear view	37
Installation site	37
Transporting the appliance to its installation site	37
Building under a continuous worktop / in a kitchen run	37
Levelling the appliance	38
Washer-dryer stack	38
Electrical connection	39
Electrical connection U.K.	39
Installation - venting	40
General	40
Calculating the total duct length :	41
Installation to the rear, left or right side of the appliance	42
Venting systems	43
A Flexible ducting hose	43
B Plastic piping	45
C Connect directly to a wall vent	46
Washer-dryer stack	47

Consumption data	48
Technical data	49
Programmable functions	50
Altering the residual moisture level in the Cottons programme	50
Altering the residual moisture level in the Minimum iron programme	51
Anti-crease	52
Altering the volume of the buzzer	53
Altering the standard drying level in the Automatic plus programme	54
Extending the cooling down time	55
Standby	56
Memory function	58
Clean out airways indicator	59
Keypad tone	60
Adjusting the dryer's electronics for very soft water	61
Extending the range of the drying levels	62

Warning and Safety instructions



► It is **essential** to read these instructions.

This tumble dryer conforms to current safety requirements. Inappropriate use can, however, lead to personal injury and damage to property.

To avoid the risk of accidents and damage to the tumble dryer, please read these instructions carefully before using it for the first time. They contain important information on its safety, installation, use and maintenance.

Keep these instructions in a safe place and ensure that new users are familiar with the content. Pass them on to any future owner.

Correct application

► This tumble dryer is not designed for commercial use. It is intended for use in domestic households and similar working and residential environments.

► The tumble dryer is not intended for outdoor use.

► It must only be used as a domestic appliance to dry items which have been washed in a water solution and which are marked on the manufacturer's care label as being suitable for tumble drying. If using dry cleaning kits, do so at your own risk, and follow the instructions provided on the packaging.

Any other usage is not supported by the manufacturer and could be dangerous. Miele cannot be held liable for damage resulting from incorrect or improper use or operation.

Warning and Safety instructions

▶ The tumble dryer can only be used by people with reduced physical, sensory or mental capabilities, or lack of experience or knowledge, if they are supervised whilst using it or have been shown how to use it in a safe way and understand the hazards involved.

Safety with children

▶ Children under 8 years of age must be kept away from the tumble dryer unless they are constantly supervised.

▶ Children 8 years and older may only use, clean or maintain the tumble dryer without supervision if they have been shown how to do so in a safe way and understand the hazards involved.

▶ The tumble dryer is not a toy! To prevent the risk of injury, do not allow children to play with it or near it, or to play with the controls.

Warning and Safety instructions

Technical safety

▶ Before setting up the tumble dryer, check it for any externally visible damage.

Do not install or use a damaged tumble dryer.

▶ Before connecting the tumble dryer, ensure that the connection data on the data plate (voltage and frequency) match the mains electricity supply. If in any doubt, consult a qualified electrician.

▶ The electrical safety of this tumble dryer can only be guaranteed when correctly earthed. It is most important that this basic safety requirement is observed and regularly tested, and where there is any doubt, the household wiring system should be inspected by a qualified electrician. Miele cannot be held liable for the consequences of an inadequate earthing system (e.g. electric shock).

▶ Do not connect the tumble dryer to the mains electricity supply by an extension lead. Extension leads do not guarantee the required safety of the tumble dryer (e.g. danger of overheating).

▶ If the electrical connection cable is faulty it must only be replaced by a Miele approved service technician to protect the user from danger.

▶ Unauthorised repairs could result in unforeseen dangers for the user, for which Miele cannot accept liability. Repairs should only be undertaken by a Miele approved service technician, otherwise any subsequent damage will not be covered by the guarantee. Ensure current is not supplied to the tumble dryer until after maintenance or repair work has been carried out.

Warning and Safety instructions

- ▶ Faulty components must only be replaced by genuine Miele original spare parts. Only when these parts are fitted can the safety standards of the tumble dryer be guaranteed.
- ▶ The tumble dryer must be isolated from the electricity supply in the event of a fault and during cleaning and maintenance.
- ▶ The tumble dryer must not be used in a non-stationary location (e.g. on a ship).
- ▶ Do not make any alterations to the tumble dryer, unless authorised to do so by Miele.
- ▶ In areas which may be subject to infestation by cockroaches or other vermin, pay particular attention to keeping the tumble dryer and its surroundings in a clean condition at all times. Any damage which may be caused by cockroaches or other vermin will not be covered by the guarantee.

Warning and Safety instructions

Correct use

- ▶ To prevent the risk of fire, the following textiles must not be dried in this appliance:
- items which have not been washed.
 - items, such as workwear, which have not been thoroughly cleaned and which are still soiled with grease, oil or other deposits (such as cosmetics, lotions etc).
If items have not been thoroughly cleaned there is a danger that these might self-ignite when heated, even after they have been removed from the dryer at the end of the programme.
 - items (e.g. mops and floor cloths) which have been treated with inflammable cleaning agents or which contain residues of acetone, alcohol, benzine, petrol, kerosene, stain remover, turpentine, wax and wax remover or other chemicals.
 - items which have been splashed with hair lacquer, hair spray, nail varnish remover or similar substances.

When washing such heavily soiled items, ensure that you use additional detergent and select a high temperature. If in doubt, wash the items several times.

- ▶ Remove all items such as lighters and matches from pockets.
- ▶ **Warning:** Do not switch the tumble dryer off before the drying programme has finished. If this is done, the laundry must be hung up or spread out to cool it down.

Warning and Safety instructions

- ▶ To prevent the risk of fire, the following must not be tumble dried:
 - items which have been cleaned using chemicals (e.g. professional dry-cleaning agents).
 - fabrics which contain a large proportion of rubber, foam rubber or rubber-like materials. For example, products made from latex foam rubber, shower caps, waterproof textiles, rubberised articles and items of clothing and pillows with foam rubber filling.
 - damaged items which contain padding or fillings (e.g. pillows, jackets). When damaged, the filling can get out with the risk of igniting in the dryer.

- ▶ In many programmes, the heating phase is followed by a cooling down phase to ensure that the items are not too hot to handle when you remove them (this also avoids the danger of the laundry self-igniting). The programme is not finished until the cooling down phase has been completed.

As soon as the programme has finished, remove all laundry from the drum.

- ▶ Fabric conditioner and similar products must be used according to the instructions on the manufacturer's packaging.

- ▶ Do not let anyone sit or lean on the door, as this can cause the tumble dryer to tip up.

- ▶ Always close the door after use. This way you will avoid the danger of:
 - children climbing into the dryer or hiding things in it.
 - pets or other small animals climbing into it.

Warning and Safety instructions

- ▶ The tumble dryer must not be used without the fluff filter in place or if the fluff filter is damaged in any way.
- ▶ The fluff filter must be cleaned regularly.
- ▶ The dryer must not be used without vent ducting in place.
- ▶ The dryer must not be connected to a chimney or vent flue which is in use.
- ▶ Do not install the tumble dryer in a room where there is a risk of frost occurring. At temperatures around freezing point the tumble dryer may not be able to operate properly. The ambient room temperature should be between +2°C and +35°C.
- ▶ Check all parts of the extraction system on a regular basis (e.g. wall vent, external grille, bends in the ducting etc.) and make sure they are all free of any hindrance. A build-up of fluff will prevent a free flow of air through the system. If the dryer is to be connected to an existing ducting system, this must be checked for suitability beforehand.
- ▶ The exhaust air must not be vented into a chimney or vent flue which is in use, nor should it be connected to ducting which ventilates rooms with fireplaces. It would be dangerous if smoke or exhaust fumes were drawn back into the room.

Warning and Safety instructions

▶ Adequate ventilation is essential **to avoid the danger of asphyxia and toxic fumes** where another appliance which also uses the room air (e.g. gas, oil or coal fired heater, continuous flow or other water heater) is installed in the same or an adjacent room. To ensure safe operation, and to prevent gases given off by these appliances being drawn back into the room, an underpressure of 4 Pa is the maximum permissible.

Ventilation can be maintained by:

- air inlets in the external wall which cannot be closed or blocked, or
- by fitting a window contact switch which ensures that the tumble dryer can only be operated when the window is open.

To ensure safe operation of your dryer and to avoid an underpressure of 4 Pa or more, please seek professional advice.

▶ Always keep the area around the tumble dryer free of dust and fluff. Dust drawn into the tumble dryer can cause blockages.

▶ The tumble dryer must not be hosed down.

Accessories

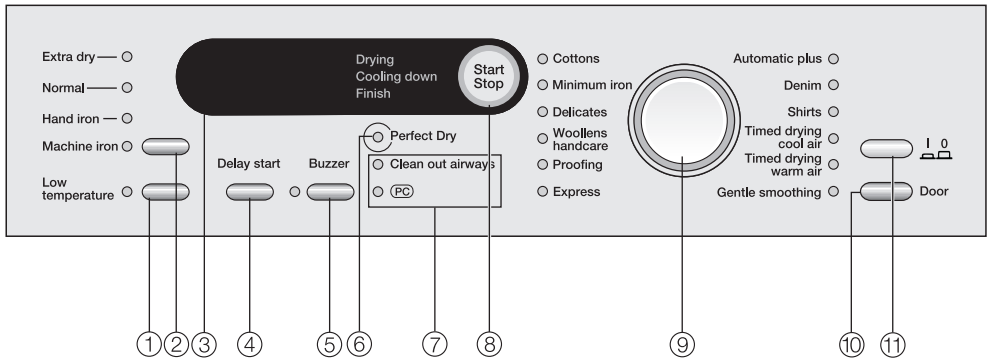
▶ Only use genuine Miele original spare parts and accessories with this tumble dryer.

If non-Miele parts are used, guarantee, performance and product liability claims may be invalidated.

Miele cannot be held liable for damage caused by non-compliance with these Warning and Safety instructions.

Operating the tumble dryer

Control panel



① **Low temperature button**

Delicate fabrics are dried at a lower temperature.

② **Drying level button**

with indicator lights to show the drying level selected.

③ **Display**

See next page.

④ **Delay start button**

This button is used for:

- Delaying the start of a programme
- Selecting the duration of the timed drying *Warm air* and *Cool air* programmes

⑤ **Buzzer button**

An audible tone sounds at the end of the programme.

⑥ **Perfect Dry indicator**

For all programmes with a selectable drying level. See next page.

⑦ **Check lights**

For a description of these, see "Problem solving guide" / "After sales service".

⑧ **Start/Stop button**

For starting or cancelling a programme.
The button flashes while a programme is being selected and then lights up constantly when the programme has started.

⑨ **Programme selector**

with indicator lights to show the programme selected.

⑩ **Door button**

Pressing this button will open the door even when the dryer is switched off at the mains.

⑪ **On/Off button**

For switching the dryer on and off.

The display shows:

- Programme duration
- Programme stage
 - Drying*
 - Cooling down*
 - Finish*
- Check and fault messages

The following are also selected via the display:

- Duration of the *Warm air* and *Cool air* programmes
- Delay start

You can select a programme and set it to start at a later time.

The programme will start automatically once the delay start time has elapsed.

- Programmable functions

Default settings can be altered to adapt the dryer to different requirements. See "Programmable functions" at the end of this booklet for more details.

Perfect Dry indicator

The Perfect Dry system measures the residual content in the laundry in the sensor drying programmes to ensure perfect drying results.

After a programme has started, the electronics will estimate the duration of the programme (time remaining). The *Perfect Dry* indicator will flash while this is happening.

After a short while, the programme duration will appear in the display and the indicator will go out.

The *Perfect Dry* indicator will light up again when the selected drying level is reached and remain on until the programme is finished.

The *Perfect Dry* indicator does not light up during time controlled programmes: *Woollens handcare*, *Cool air*, *Warm air*, *Gentle smoothing*.

Programme duration / Estimated time remaining








The estimated duration (time remaining) will appear in the display.

The following factors all affect the estimated time remaining: residual moisture content after spinning; type of fabric; size of load; room temperature; fluctuations in power supply.

The electronics continually assess conditions in the dryer and adjust the estimated time remaining for a more accurate reading. Because of this, the time displayed can alter during the course of a programme. Programmes can also finish earlier than expected, if, for example, particularly fine fabrics are being dried, the load is very small or items were partially dry beforehand.

Notes on laundry care

Garment care label symbols

Drying	
	Normal/higher temperature
	Reduced temperature: Select <i>Low temperature</i> (for delicate textiles)
	Do not tumble dry
Ironing	
	Very hot
	Hot
	Warm
	Do not iron

Tips on drying

- Always observe the maximum recommended loads given in the "Programme chart". Never overload the drum.
- Overloading can cause unnecessary wear and tear to the laundry, give a disappointing drying result and cause more creasing.
- Do not put soaking wet items into the tumble dryer. Spin fabrics for at least 30 seconds before drying.
 - Open jackets so that they can dry evenly.
 - Use the *Automatic plus* programme for drying mixed loads of cotton and minimum iron fabrics.
 - Woollens and wool blends tend to become matted and shrink if dried in a tumble dryer. They can, however, be "fluffed up" using the *Woollens handcare* programme.

- Down-filled garments have linings which have a tendency to shrink, depending on the quality of the item. They can be partially dried using the *Gentle smoothing* programme.
- Pure linen should only be machine dried if specified as suitable by the manufacturer on the care label, as the surface of the fabric may otherwise become rough.
- Loopknit garments (e.g. T-shirts and underwear) tend to shrink depending on their quality. Do not over-dry these textiles. When purchasing these garments it is advisable to take their shrinkage properties into account.
- Minimum iron fabrics tend to crease more, the larger the load. This is also the case for garments made from very fine weave fabrics, such as shirts or blouses. If in doubt, divide the garments into smaller loads.
- Starched laundry can be dried in the tumble dryer. To achieve the usual finish, double the amount of starch should be used.
- New dark coloured garments should be washed and dried separately from light coloured garments to avoid the danger of colours running and discolouring other garments or even plastic components in the dryer. Dark coloured fibres can also settle on light coloured garments and vice versa.


Brief instructions

The headings numbered (1, 2, 3 ...) show the operating sequence and can be used as a brief guide to using your dryer.

1 Sort the laundry

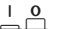
To ensure an even drying result separate out the washed laundry and sort it according to:

- ... the drying level required
- ... the type of fibre or weave
- ... size
- ... the moisture content after spinning.

 Make sure that objects e.g. detergent dispensing balls have been removed from the laundry. They could melt, and cause damage to the dryer or the laundry.

- Check seams and stitching to ensure that padding and linings are intact.
- Fasten duvet covers and pillow cases to prevent small items from being trapped inside them.
- Fasten hooks and eyes etc.
- Tie fabric belts and apron strings.
- Sew in or remove underwiring from bras.

2 Turn on the tumble dryer

- Switch the dryer on by pressing the *On/Off*  button in.

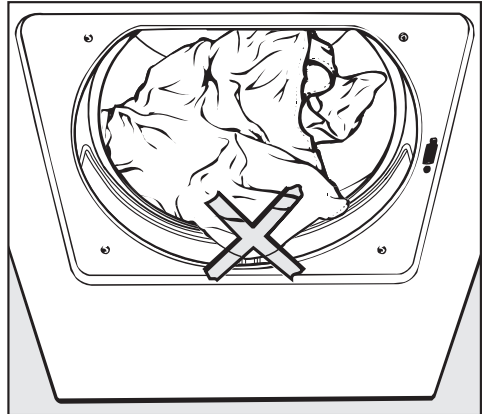
The tumble dryer may be switched on after loading, saving energy as the light will not come on.

3 Load the tumble dryer

- Press the *Door* button to open the door.
- Load the laundry loosely into the drum.

Do not overload the drum. See the "Programme chart" for recommended loads for each programme. Overloading can cause unnecessary wear and tear to the laundry and give a disappointing drying result.

- Before closing the door make sure the fluff filter is correctly positioned.

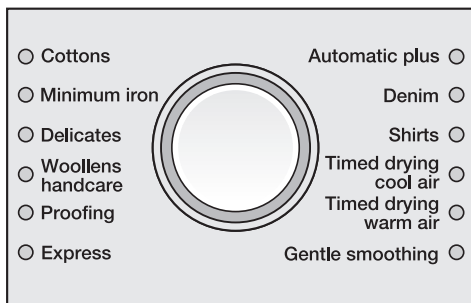


Check the laundry is right inside the drum so that it cannot get trapped or damaged when the door is shut.

- Shut the door either with a gentle swing, or lean against it and push it shut.

How to dry correctly

4 Select a programme



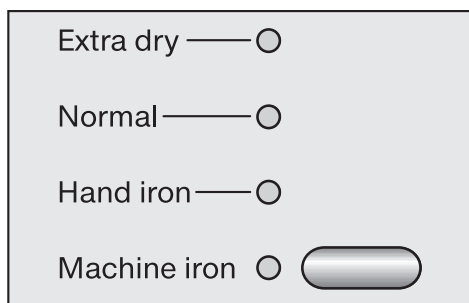
- Select the programme you want.

The indicator for the programme selected will light up.

A drying level or extra option indicator may also light up and the duration may also be displayed.

Drying level programmes

- *Cottons, Minimum iron, Delicates, Proofing, Express, Automatic plus, Denim, Shirts*



- Press the drying level button repeatedly until the indicator for the drying level you want lights up (for almost all programmes).

Any of the four drying levels can be selected for the *Cottons* and *Express* programmes. A more limited range is available when using other

programmes and with some the drying level is pre-set and cannot be changed.

Note

You can extend the range of the drying levels for some programmes (see "Programmable functions").

Woollens handcare, Gentle smoothing

- This programme cannot be changed.

Selecting the duration of the timed drying *Cool air* and *Warm air* programmes

The indicator light for the *Delay start* button will flash when the *Cool air* or *Warm air* programme is selected.

- Press the *Delay start* button repeatedly until the required duration shows in the display.

You can select the duration in stages for:

- *Cool air*: from **20** minutes up to **1:00** hour.
- *Warm air*: from **15** minutes up to **2:00** hours.

5 Select any Extra options / Delay start

- *Low temperature, Buzzer* and *Delay start* (see "Extra options/Delay start") are selected by pressing the appropriate button. *Anti-crease* (see next page) is permanently switched on.

N.B.: It is not possible to select *Delay start* when using the *Warm air* or *Cool air* programmes.

6 Start the programme

The *Start/Stop* button will flash when a programme is being selected. The flashing indicates that a programme can be started.

- Press the *Start/Stop* button.

The *Start/Stop* button will now light up constantly.

The *Perfect Dry* indicator will flash or light up constantly with the sensor controlled drying programmes. It will not come on at all with timed drying programmes (see "Operating the tumble dryer").

Note: The duration shown in the display is an estimate and can vary.

Before the end of a programme

There is a cooling down phase at the end of the drying sequence (*Cooling down* will appear in the display). The programme will not finish until the cooling down phase has been completed.

There is no cooling down phase at the end of the *Woollens handcare* programme.

7 Remove the laundry when the programme has finished

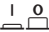
0 and *Finish* will appear in the display to indicate that the programme has finished. The buzzer (if selected) will sound at intervals.

The drum will continue to rotate at intervals for up to two hours to prevent laundry creasing, if you do not wish to remove it immediately (anti-crease). There is no anti-crease phase at the end of the *Woollens handcare* programme.

- Press the *Door* button.
- Open the door.
- Remove the laundry.

Check that all items have been removed from the drum. If items are left in the dryer, they could be damaged by overdrying when the dryer is next used.


If the dryer is switched on at the mains and the door is opened, the drum lighting will come on. It will go out a few minutes later to save energy.

- Switch the dryer off by pressing the  button.
- After every cycle, remove the fluff from the fluff filter in the door.
- Close the door.

Extra options / Delay start

Extra options

Low temperature

Delicate and minimum iron fabrics with the  symbol on the care label (e.g. acrylic garments) are dried at a lower temperature. The programme duration is longer.

On some programmes *Low temperature* is permanently activated and so cannot be deselected.

Buzzer

A buzzer sounds (at intervals for a maximum of 1 hr) to let you know the programme has finished.

A continuous alarm will sound if there is a fault even if the buzzer has been switched off.

Delay start

You can delay the start of a programme by 30 minutes up to 24 hours.

- Select a programme.
- Press the *Delay start* button repeatedly until the required delay period shows in the display.
 - The *Delay start* indicator light will flash.
 - Times of up to **10h** are selected in steps of half an hour, and more than **10h** in one-hour steps.
 - If you keep the *Delay start* button pressed in, the time will continue to increase up to **24h**.

To begin delay start

- Press the *Start/Stop* button.
 - The *Delay start* indicator will light up constantly.
 - Delay start times of more than **10h** will count down in hours, and of less than **10h** in minutes to the start of the programme.
 - The drum will turn briefly every hour to help prevent creasing.

To cancel / alter delay start




- Press the *Start/Stop* button to cancel delay start.
- To alter the delay start time, press the *Delay start* button repeatedly until the required delay period shows in the display.
- Press the *Start/Stop* button to start the altered delay start time counting down from the beginning again.

To add laundry after the delay start time has started counting down

While the delay start time is counting down, you can still add laundry to the drum:

- Switch the dryer off.
 - Opening the door without switching the dryer off will cancel delay start.
- Open the door and add the laundry.
- Close the door and switch the dryer back on again.

Programme chart

Cottons		Max. load 7 kg*
Extra dry, Normal**		
Use for	Single and multi-layered cotton fabrics such as towelling, T-shirts, underwear, flannelette bed linen.	
Notes	<ul style="list-style-type: none"> – Select <i>Extra dry</i> for multi-layered and very thick fabrics. – Do not use <i>Extra dry</i> for loopknit fabrics (e.g. T-shirts, underwear, baby clothes), as they have a tendency to shrink. 	
Low temperature	Select the Low temperature option for delicate fabrics with the  symbol on the care label.	
Hand iron**, Machine iron		
Use for	Cottons or linen fabrics, e.g.: table linen, bed linen, starched laundry.	
Note	– To prevent laundry from drying out it should be rolled up until you are ready for ironing.	
Low temperature	Select the Low temperature option for delicate fabrics with the  symbol on the care label.	
Minimum iron		Max. load 3.5 kg*
Normal**, Hand iron		
Use for	Minimum iron items made of cotton, synthetic or blended fabrics, e.g.: dresses, trousers, skirts and table cloths.	
Low temperature	Select the Low temperature option for delicate fabrics with the  symbol on the care label.	
Delicates		Max. load 2.5 kg*
Normal, Hand iron		
Use for	Delicate items made of synthetic fibres, easy care cotton or blended fabrics, e.g. shirts, blouses, lingerie and appliquéd garments.	
Low temperature	Low temperature cannot be deselected.	

* Weight of dry laundry

** Note for test institutes:

Use this programme without selecting Low temperature for testing according to Standard EN 61121.

Programme chart

Woollens handcare		Max. load 2 kg*
Fabric type	Woollen fabrics	
Notes	<ul style="list-style-type: none"> – This programme only fluffs up woollen garments. They are not dried completely by this programme. – Remove garments as soon as the programme has finished and leave to finish drying at room temperature. 	
Low temperature	Low temperature cannot be deselected.	
Proofing		Max. load 2.5 kg*
Normal		
Fabric type	For drying microfibre fabrics, skiwear, fine, closeweave cotton garments (poplin) or tablecloths which are suitable for drying in a tumble dryer and have been treated to provide a water and dirt resistant finish.	
Notes	<ul style="list-style-type: none"> – This programme includes a proofing fixing phase. – Only use proofing agents containing fluorochemical compounds which are stated by the manufacturer as being "suitable for use on membrane textiles." – Do not dry items which have been treated with proofing agents containing paraffin. Fire hazard! 	
Express		Max. load 3.5 kg*
Extra dry, Normal, Hand iron, Machine iron		
Fabric type	Fabrics which can tolerate high temperatures with the ☼ symbol on the care label and which can be dried in the <i>Cottons</i> programme.	
Note	– The programme duration is shorter.	
Automatic plus		Max. load 5 kg*
Normal, Hand iron		
Fabric type	Mixed loads of garments suitable for the <i>Cottons</i> and <i>Minimum iron</i> programmes. Sort according to colour.	
Denim		Max. load 3 kg*
Normal, Hand iron		
Fabric type	Denim garments, e.g. jeans, jackets, skirts, shirts.	
Low temperature	Select the Low temperature option for delicate fabrics with the ☼ symbol on the care label.	

* Weight of dry laundry

Programme chart

Shirts		Max. load 2 kg*
Normal, Hand iron		
Fabric type	Shirts and blouses.	
Low temperature	Select the Low temperature option for delicate fabrics with the ☐ symbol on the care label.	
Cool air		Max. load 7 kg*
Fabric type	Any item which only needs airing.	
Warm air		Max. load 7 kg*
Fabric type	<ul style="list-style-type: none"> – Voluminous and multi-layered fabrics whose layers have different drying characteristics, e.g. jackets, pillows. – For drying individual items, e.g. bath towels, swimwear, tea-towels. 	
Note	– Do not select the longest drying time to start with. Check the items as you are drying them to find the optimum time.	
Low temperature	Select the Low temperature option for delicate fabrics with the ☐ symbol on the care label.	
Note	You can use the <i>Warm air</i> programme to help remove odours from clean cotton clothing (select a duration of between 1/2 and 1 hour). Items must be suitable for drying in a tumble dryer. Dampen the garments a little beforehand or add a fabric conditioner sheet. Odours will not be removed as effectively from any parts of the garments which are made of synthetic fibres.	
Gentle smoothing		Max. load 1 kg*
Fabric type	<ul style="list-style-type: none"> – Cotton and linen fabrics. – Minimum iron items made of mixed fibres, cottons or synthetics, e.g.: trousers, anoraks, shirts. 	
Notes	<ul style="list-style-type: none"> – Smooths out creasing caused during the spin cycle in the washing machine. – Remove garments as soon as the programme has finished so that they are easy to iron. 	
Low temperature	Low temperature cannot be deselected.	

* Weight of dry laundry

Changing the programme sequence

Once a programme has started

- changing the programme

You cannot change to another programme once a programme has started (this prevents unintentional alterations).

You will need to cancel the current programme before you can select a new one.

- cancelling the programme and then selecting a different programme

- Press the *Start/Stop* button.

The items will be cooled down, depending on the temperature reached and how long they have been dried for.

If you press the *Start/Stop* button again during the cooling down phase, *Finish* will light up in the display.

- Press the *Door* button.
- Close the door.
- Select another programme and start it.

- cancelling the programme and then removing the laundry


- Proceed as described in "Adding or removing laundry after a programme has started" below.
- Switch the dryer off after closing the door.

Altering Delay start

- See "Delay start".

Adding or removing laundry after a programme has started

- Press the *Door* button.
- Open the door.

 **Danger of burning:**
Do not touch the back of the drum when adding or removing items. The drum and the items can get very hot.

- Add or remove items as required.
- Close the door.
- Press the *Start/Stop* button.


Time remaining

The time left shown in the display may now vary from the actual drying time.

The system lock prevents the dryer being used without your knowledge.

It can be activated if wished.

The dryer's electronics are then locked. The dryer can still be switched on but a programme cannot be started.

- If an attempt is made to start a programme, the indicator light for the *Low temperature* button will come on and a key symbol  will appear in the display.

The door is not locked and can be opened at any time.

To activate the lock

Before you begin, first ensure that:

- The tumble dryer is switched off.
- The door is closed.


➊ Press the *Low temperature* button and keep it pressed in whilst carrying out steps ➋ to ➍.

➋ Press the  button in.

The *Automatic plus* indicator light will come on.

➌ Slowly turn the programme selector three positions stage by stage in a clockwise direction. Each of the three programme indicator lights must come on one after the other.

➍ Now slowly turn the programme selector six positions stage by stage in an anti-clockwise direction. Each of the six programme indicator lights must come on one after the other.

The indicator light for the *Low temperature* button will flash, and a key symbol  will appear in the display.

➎ Release the *Low temperature* button.

The electronics have now been locked.


- Switch the dryer off.

To deactivate the lock

Before you begin, first ensure that:

- The tumble dryer is switched off.
- The door is closed.

■ The procedure is the same as for activating the lock. Carry out steps ➊ to ➍ as described previously.

At step ➍ the indicator light for the *Low temperature* button will stop flashing and the key symbol  will go out.

The electronics are no longer locked.

Cleaning and care

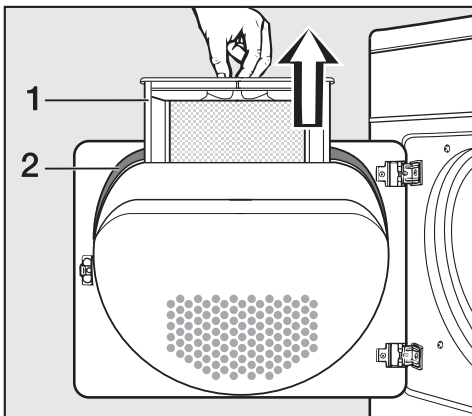
Cleaning the fluff filter

The fluff which is created by the drying process is collected in the fluff filter in the door. Clean the filter after **each** drying cycle*.

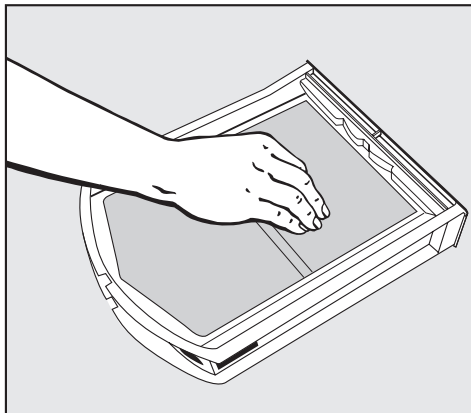
* Always check the fluff filter if the *Clean out airways* indicator light comes on.

Cleaning whilst dry

Tip: You can also use a vacuum cleaner to remove the fluff.



- Open the door and pull the fluff filter (1) out of the door as illustrated.



- Use your fingers to remove the fluff from the surface of the filter.
- Remove any fluff from the hollow part of the door opening. You could also use a cleaning brush which is available as an optional extra from your Miele dealer or the Miele Spare Parts Department, or use a vacuum cleaner.
- Also clean the door seal (2) with a damp cloth.
- Once clean, push the filter back into the door holder until it clicks into position. Ensure it is facing the correct way. Close the door.

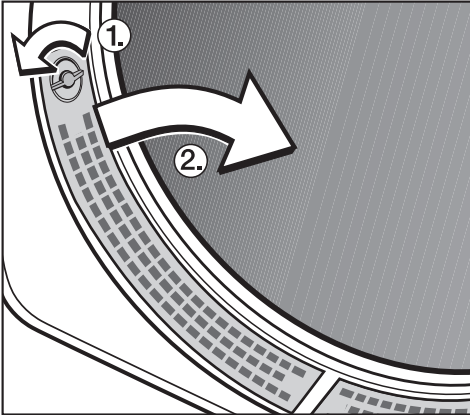
Cleaning with water

If there is still a great deal of compacted fluff on the filter after cleaning it as described above, you can clean it with water.

- Rinse the filter under hot, running water.
- Dry the filter carefully and thoroughly.

Cleaning the grilles in the door opening

Clean the grilles in the door opening and also the area underneath them from time to time.



- Turn dial ① on each grille until you hear it click.
- Take hold of the dial, and pull the grille out of the door opening as shown ②. Do the same on the other side.
- Clean the grilles under hot running water, and dry thoroughly.
- Also clean the area underneath them, e.g. with a vacuum cleaner.
- Replace by inserting them at the bottom and pressing them into place at the top.
- Lock both dials (you will hear them click).

Cleaning the tumble dryer

Disconnect the tumble dryer from the mains electricity supply.

Miele branded cleaning and conditioning products are available to order via the internet on www.miele-shop.com.


- Clean the housing, control panel and door seal with a slightly damp cloth and a mild detergent or soapy water.
- The drum and other stainless steel parts can be cleaned with a suitable stainless steel cleaner following the manufacturer's instructions.

Do not use solvents, abrasive cleaners, glass cleaners or all-purpose cleaners. These could damage plastic surfaces and other parts. The tumble dryer must never be hosed down.




- Dry all parts with a soft cloth.

Problem solving guide

With the help of the following notes minor faults in the performance of the appliance, some of which may result from incorrect operation, can be put right without contacting the Service Department.

 Repair work to electrical appliances should only be carried out by a suitably qualified person in strict accordance with current local and national safety regulations. Repairs and other work by unqualified persons could be dangerous. The manufacturer cannot be held liable for unauthorised work.

Check and fault messages

Problem	Possible cause	Remedy
The programme stops and  and <i>Finish</i> appear in the display. The buzzer sounds.	This is not a fault. The electronic unit has recognised that there is no laundry or insufficient laundry in the drum and cancelled the programme. Drying individual garments or items which are already dry can also cause the programme to be cancelled.	Use the <i>Warm air</i> programme for drying individual items. <ul style="list-style-type: none"> – Open and shut the door.
 appears in the display. The <i>Low temperature</i> indicator light is flashing.	The electronic system lock is activated.	You will need to deactivate the system lock before the dryer can be used (see "Electronic system lock").
The programme stops. The buzzer sounds. <i>Cooling down</i> or <i>Finish</i> may also flash in the display.	No obvious cause.	<ul style="list-style-type: none"> – Switch the dryer off and back on again. – Then start the programme again. If this problem happens again, there is a fault. Contact Miele.
Bars are flashing at the end of the programme: 	The programme has finished but the laundry is still being cooled down.	You can either unload the drum and leave the laundry to cool at room temperature or leave it in the dryer to continue cooling.

Problem solving guide

Problem	Possible cause	Remedy
<p>The <i>Clean out airways</i> indicator light comes on.</p>	<p>The dryer is not working efficiently or economically. Possible cause: the filter is clogged with fluff or with detergent residues.</p>	<ul style="list-style-type: none"> – Cleaning the filter is usually all that is required. However, if the <i>Clean out airways</i> indicator light does not go out after you have cleaned the filter, then also check all the possible causes described under "The drying process goes on too long or even switches off". <p>To switch off this reminder:</p> <ul style="list-style-type: none"> – Open and shut the door with the dryer switched on.
	<p>The vent ducting may be very long, which does not constitute a fault.</p>	<p>If very long ducting is used, then programme times will be longer and energy consumption higher.</p>
		<p>The <i>Clean out airways</i> indicator light can be deactivated (see "Programmable functions").</p>
<p>The programme stops and the <i>Clean out airways</i> indicator light comes on. The buzzer sounds.</p>	<p>See above for possible causes and their remedies.</p>	<ul style="list-style-type: none"> – Try to resolve the problem by following the instructions given above. – If this problem happens again, contact Miele.

Problem solving guide

Problem	Possible cause	Remedy
The <i>Start/Stop</i> button is flashing slowly and the display is dark.	The dryer is in Standby mode. This is quite normal and not indicative of any fault.	See "Programmable functions".
Sometimes a programme cannot be started and the corresponding programme indicator light does not light up.	No obvious cause.	<ul style="list-style-type: none">– Switch the dryer off and back on again.– Select one of the programmes that would not start.– If it still will not start, there is a fault. Contact the Miele Service Department.
The <i>Start/Stop</i> button flashes on and off.	The flashing indicates that a programme can be started.	After the programme has started, the flashing will change to a constant light.

An unsatisfactory drying result		
Problem	Possible cause	Remedy
The laundry is not sufficiently dry.	The load consisted of different fabrics.	<ul style="list-style-type: none">– Finish drying using the <i>Warm air</i> programme.– Select a different programme next time *.
Items made of synthetic fibres are charged with static electricity after drying.	Synthetic fibres tend to attract static charge.	Static charge can be reduced by adding a fabric conditioner to the final rinse in the washing programme or a fabric conditioner sheet to the load when drying.
There is a build-up of fluff.	Fluff is principally the result of friction when garments are being worn and to some extent when they are being washed. Machine drying does not affect the lifetime of the fabric.	Fluff is collected by the fluff filters and can be removed easily (see "Cleaning and care").

* You can alter the drying levels for some programmes (see "Programmable functions" at the the end of this booklet).

Problem solving guide

Other problems		
Problem	Possible cause	Remedy
The drying process goes on too long or even switches off.	In some circumstances, the <i>Clean out airways</i> indicator light still comes on, even though the filter is clean.	Please check all the possible causes and switch the dryer off and then back on again.
	Ventilation to the dryer is insufficient, e.g. because it is installed in a room which is too small.	Open a door or window while the dryer is in operation for increased air flow.
	The fluff filter is blocked.	Remove any fluff.
	The vent ducting or the ventilation outlet is blocked.	<ul style="list-style-type: none"> – Check all parts of the vent ducting system on a regular basis (e.g. wall pipe, external grille, bends in the ducting etc.) and make sure they are all free of any hindrance. – Remove any fluff.
	The laundry has not been spun sufficiently.	Make sure that your laundry is thoroughly spun at the appropriate spin speed in the washing machine.
	The tumble dryer has been overloaded.	Do not exceed the maximum load for the programme selected.
	Metallic components, e.g. zips, have prevented the dryer from registering the correct moisture level in the laundry.	<ul style="list-style-type: none"> – Open zips next time. If the problem occurs again, dry garments with long zips using the <i>Warm air</i> programme (timed drying).

Problem solving guide

Problem	Possible cause	Remedy
The tumble dryer fails to start when switched on.	No obvious cause.	<ul style="list-style-type: none">– Is the dryer switched on?– Is the plug correctly inserted into the socket and switched on?– Is the door closed properly?– Has the fuse or circuit breaker tripped?
Power cut.	A programme which was running previously will continue automatically when power is restored to the tumble dryer as long as the Cooling down phase had not been reached.	
The interior drum lighting does not come on.	The lighting switches off automatically (to save energy).	Switch the dryer off and then on again.
	The lamp needs changing.	Change the lamp as described at the end of this section.

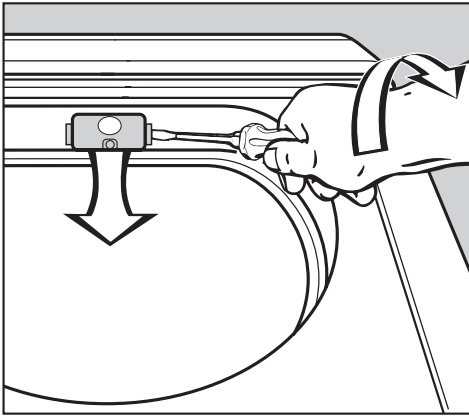
Problem solving guide

Changing the lamp

Disconnect the tumble dryer from the mains electricity supply.

- Open the door.

You will find the interior lamp cover at the top of the drum aperture.



- Insert a suitable tool, such as a wide bladed screwdriver, under the side edge of the lamp cover as illustrated.
- Apply a little pressure and whilst doing so turn your wrist in the direction of the arrow to open the cover.

The cover will open downwards.

The temperature resistant lamp should only be ordered from your Miele Dealer or the Miele Spare Parts Department.

The lamp specification and maximum wattage is stated on the data plate and on the lamp cover.

- Replace the lamp.
- To close the cover push it upwards and press it on the left and right until you hear it click into position.

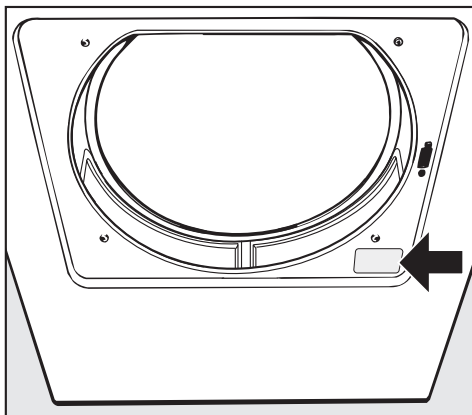
⚠ Ensure that it is fitted into position securely, as any moisture could cause a short circuit.

Repairs

In the event of any faults which you cannot remedy yourself, please contact

- your Miele dealer or
- the Miele Service Department (see back cover for contact details).

When contacting your dealer or the Service Department, please quote the model and serial number of your appliance, both of which are shown on the data plate situated on the right hand side below the drum aperture.



N.B. A call-out charge will be applied for service visits where the problem could have been resolved as described in these instructions.

Future updates (PC)

The indicator or check light marked **PC** on the fascia panel is the interface used by the Miele service technicians during service work for testing purposes and for updating the appliance's programme data.

Appliance guarantee

Please see the guarantee card supplied with your appliance.

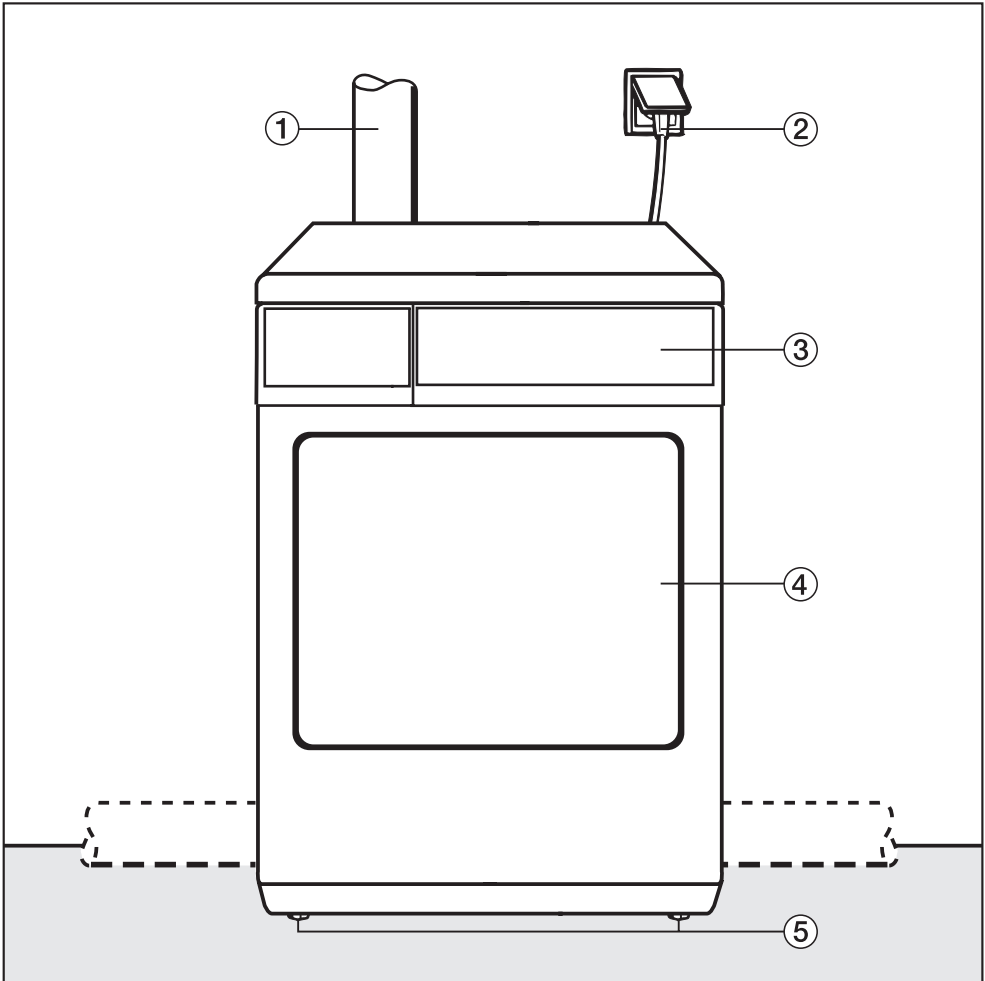
Optional accessories

Optional accessories for this dryer are available from your Miele Dealer, the Miele Spare Parts Department or via the internet at www.miele-shop.com.

Please note that telephone calls may be monitored and recorded for training purposes.

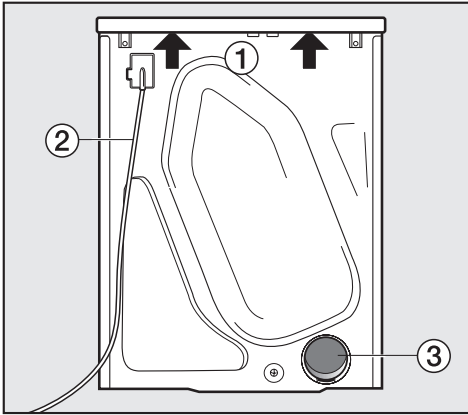
Installation and connection

Front view




- ① Venting connection: rear, right or left
(supplied with the rear socket open)
- ② Mains connection cable
- ③ Control panel
- ④ Door
- ⑤ Four height adjustable screw feet

Rear view



- ① Protruding lid for holding when moving the appliance (see arrows)
- ② Mains connection cable
- ③ Venting connection at the rear


Installation site

 Make sure the dryer door can be opened without hindrance after installation.

Transporting the appliance to its installation site

When moving the appliance, hold it by the lid where it protrudes to the rear of the dryer. To manoeuvre the dryer out of its packing case to its installation site hold it by the **front feet and at the back of the lid**.

Building under a continuous worktop / in a kitchen run

 A **building-under kit*** with a coverplate to replace the appliance lid is required. It must be fitted by suitably qualified person to ensure electrical safety.

N.B. If you wish to push your appliance under a worktop and there is space to do this without removing the lid the building-under kit is not necessary. Otherwise it is essential.

- The building-under kit is supplied with its own installation instructions.
- N.B. When built under drying times may be longer.
- The electrical socket must be located in an accessible position near the appliance.
- The space required by the vent duct must be taken into consideration when calculating the distance between the tumble dryer and a wall or other appliances or furniture on either side.

With niche heights of:

- 830-840 mm, longer screw feet* are required.
- 870-885 / 915-930 mm, one or two raising kits* are required.

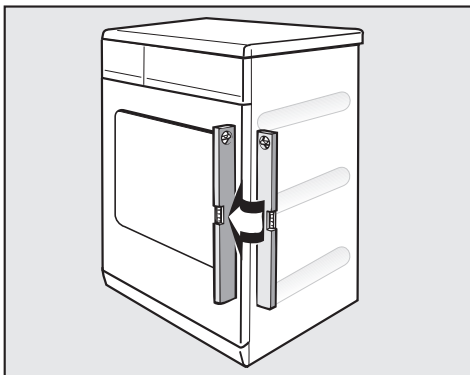
* Miele accessory available to order

Replacing the lid

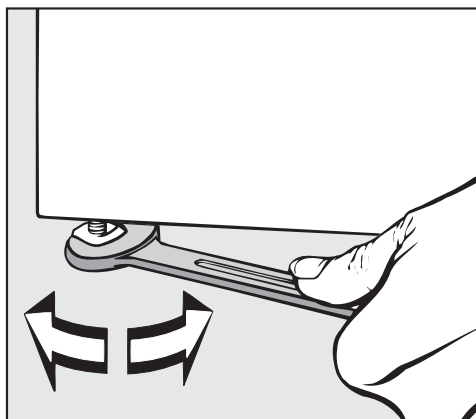
If the lid has been removed in order to fit a coverplate, ensure that, if the lid is ever replaced, it fits securely into the rear holders. Otherwise, it is not properly secure for transport.

Installation and connection


Levelling the appliance



The appliance must be perfectly level to ensure safe and proper operation.




- The screw feet can be adjusted to compensate for any unevenness in the floor.

 Do not block the gap between the bottom of the tumble dryer and the floor with plinth facings, deep pile carpet, etc. This would hinder a sufficient flow of air to the dryer.

Washer-dryer stack

The tumble dryer can also be combined with a Miele washing machine in a washer-dryer stack. The appropriate "WTV" stacking kit (available to order) to match your dryer is required.

 Stacking kits must only be installed by a suitably qualified fitter.

Electrical connection U.K.

All electrical work should be carried out by a suitably qualified and competent person, in strict accordance with current national and local safety regulations (BS 7671 in the UK).

Ensure power is not supplied to the appliance until after installation work has been carried out.

The appliance is supplied with a mains cable with moulded plug ready for connection to a 230-240V mains supply. Please ensure the connection data quoted on the data plate match the household mains supply.

Connection should be made via a suitable switched socket which is easily accessible after installation.

For extra safety it is advisable to protect the appliance with a suitable residual current device (RCD). Contact a qualified electrician for advice.

Do not connect via an extension lead. Extension leads do not guarantee the required safety of the appliance (e.g. danger of overheating).

Non-rewireable plugs BS 1363

The fuse cover must be refitted when changing the fuse, and if the fuse cover is lost, the plug must not be used until a suitable replacement is obtained. The colour of the correct replacement cover is that of the coloured insert in the base of the plug, or the colour that is embossed in words on the base of the plug (as applicable to the design of plug fitted).

Replacement fuses should be ASTA approved to BS 1362 and have the correct rating. Replacement fuses and fuse covers may be purchased from your local electrical supplier.

**WARNING: THIS APPLIANCE
MUST BE EARTHED**

Installation - venting

General

Important

Before operating the tumble dryer, a suitable ducting system must be installed to carry the moist air from the dryer to the outside. This can be:
... flexible ducting hose, or plastic piping connected to the dryer, or
... the dryer may be connected directly to the wall vent.

- Before installing the ducting system, ensure that the appliance is not connected to the power supply.
- The ducting outlet (e.g. wall pipe) should be installed in such a way that the moist expelled air . . .
. . . cannot be drawn back into the room in which the dryer is installed;
. . . cannot cause any damage to the building or other nuisance.
- The dryer uses the room air. It is therefore essential to ensure adequate ventilation to avoid the **danger of asphyxia** caused by gases given off by other appliances being drawn back into the room. Insufficient ventilation will also cause drying times to be considerably longer.
Ventilation can be maintained by:
 - an open window;
 - an air inlet which cannot be blocked in windows, doors and outside wall vents;
 - a window switch which prevents the dryer being used when the window is closed.

Avoid:

- very long ducting systems
- too many bends or corners, tight corners

Otherwise the drying result will be less effective and it will take longer and use more energy.

Suitable materials

- for the ventilation ducting:
flexible ducting* or plastic piping with a diameter of at least 100 mm.
- for venting to the outside:
a wall pipe kit* or a window vent kit*.

* Available as an optional accessory from your Miele dealer or the Miele Spare Parts Department.

Procedure

- First measure the duct length required. Calculate the effective duct length and establish the internal duct diameter required (use the tables on the next page).
- The longer the ducting, the larger the internal diameter of the ducting required.
- Then decide which type of ducting you want to use (see "Venting systems" in this section).

Calculating the total duct length :

Friction against the inner walls of the ducting will slow down the expelled air as it passes through. An elbow, bend, non-return flap or wall vent creates more friction than a straight duct. The friction created by each of these is expressed as an **additional duct length factor**. The additional length factors are calculated by comparing the friction created by, for example, an elbow to that created by 1 metre of straight plastic piping (Table I).

The additional duct length factor for each item needs to be added together to ascertain the **total duct length** required.

A larger **internal duct diameter** also helps reduce friction. If the total duct length is **more than 20 m** the duct diameter should be increased (Table II).

1. To calculate the total duct length required:

- First measure the distance which will require straight ducting. Multiply this amount by the corresponding additional duct length factor in **Table I**.
- Establish the number of angles, bends etc. necessary and add their additional duct length factors together with the help of **Table I**.
- Add all the additional duct length factors together to get the total duct length.

2. Internal duct diameter

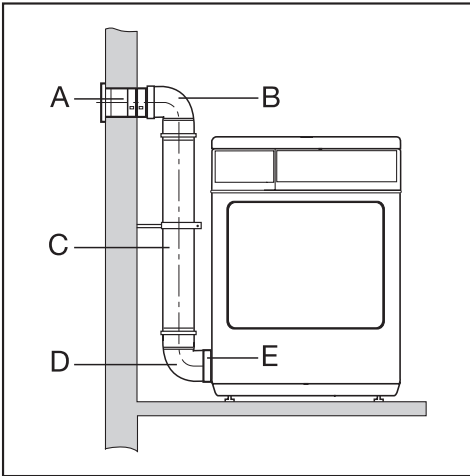
- Refer to **Table II** for the appropriate duct diameter required.

Table I	
	Additional duct length factor
Flexible ducting*	
– 1 m <u>laid</u> straight	1.8 m
– 45° angle (Bend radius = 0.25 m)	1.5 m
– 90° angle (Bend radius = 0.25 m)	2.5 m
Flexible aluminium vent hose* / plastic piping	
– 1 m <u>laid</u> straight / or 1 m straight pipe	1.0 m
– 45° angle / elbow (Bend radius = 0.25 m)	0.6 m
– 90° angle / elbow (Bend radius = 0.25 m)	0.8 m
Wall vent kit* or window vent kit*	
– with louvred grille	3.8 m
– with non-return flap (hinged flap)	1.5 m
Non-return flap* to be integrated into the vent ducting	14.3 m
Flat ducting (for washer dryer stack)*	11.0 m
Venting connection to the left/right	1.0 m
*optional accessory from Miele	

Table II	
Maximum total duct length allowable	Internal duct diameter required
20 m	100 mm
40 m	125 mm
100 m	150 mm

Installation - venting

Calculation example



A	Wall pipe, with louvred vent		
	= 1 x 3.8 m Additional duct length	=	3.8 m
B/D	2 Elbows, 90°		
	= 2 x 0.8 m Additional duct length	=	1.6 m
C	0.5 m plastic piping		
	= 0.5 x 1 m Additional duct length	=	0.5 m
E	Side connection, left		
	= 1 m Additional duct length	=	1.0 m
	Total duct length	=	6.9 m

Result: A duct diameter of 100 mm is adequate as the total duct length is less than the 20 m specified in Table II.

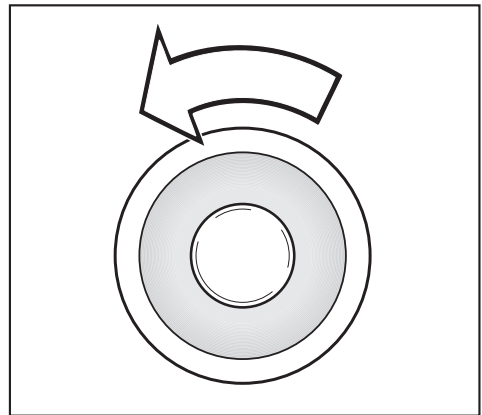
Installation to the rear, left or right side of the appliance

At the rear

The dryer is delivered with this connection open.

- Fit one of the venting systems described on the following pages.

Left or right side of the appliance



- Turn the cover flap anti-clockwise.
- Refit it securely in the rear outlet.
- Fit one of the venting systems described on the following pages.

Venting systems

The various venting systems which are possible are described on the following pages.

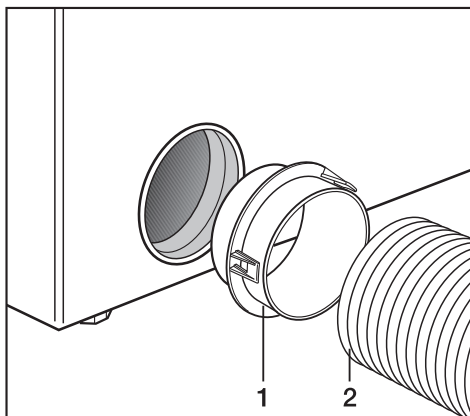
- Ⓐ Flexible ducting hose
- Ⓑ Plastic piping
- Ⓒ Connecting directly to a wall vent

Ⓐ Flexible ducting hose

This is a simple, cost effective way of directing the moist air outside. The adapter supplied is fitted into the vent opening on the dryer and the 100 mm Ø ducting hose is then connected to the adapter.

- The following items are required: . . .
. . . flexible ducting hose
. . . a wall vent kit* or window vent kit*.

* (Miele optional accessory).

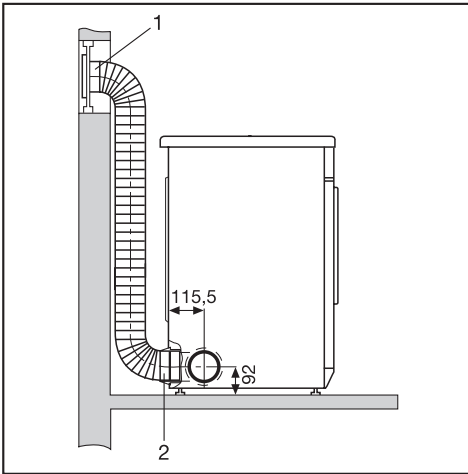


- ❶ Insert adapter (1) into the vent opening on the dryer.
 - ❷ Attach the hose (2).
- Installation examples are shown on the next page.

Installation - venting

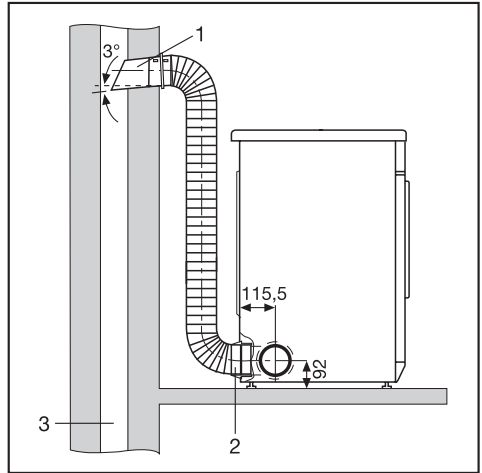
Installation examples

Window vent




1. Window vent kit (fitted in a "plexiglass" pane)
(separate fitting instructions are supplied with the Miele window vent kit)
2. Adapter for flexible hose

Connection to an exhaust flue



1. Pipe with connection piece
(= supplied with the Miele wall vent kit)
2. Adapter for flexible hose
3. Exhaust flue insulated against damp

 The ducting must not be vented into a chimney or vent flue which is in use, nor should it be connected to ducting which ventilates rooms with fireplaces.

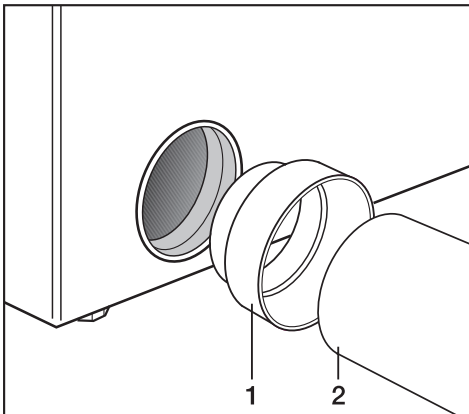
B Plastic piping

Plastic piping is a good option where the vented air has to be ducted for some distance. The smooth walls of the pipe create less friction for the vented air than the walls of a flexible vent hose, for example. Time and energy consumption are better with plastic piping.

The following items are required:

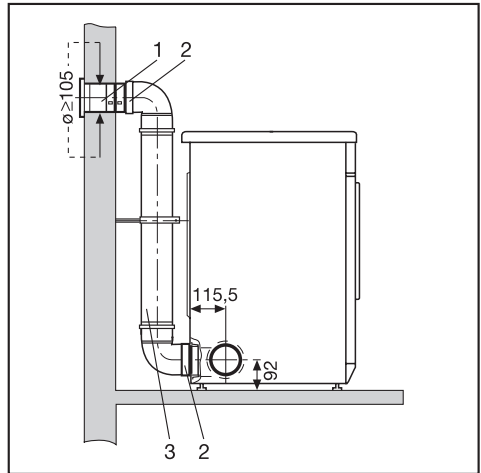
- An adapter* (\varnothing 100 mm).
- A wall vent kit* or window vent kit*.
- Suitable piping (\varnothing 100 mm) is available from your dealer or builders merchants. Where the pipe diameter is more than 100 mm, an adapter is necessary (e.g. from \varnothing 100 to 125 mm) to connect the pipe to the dryer.

* Available as an optional accessory from your Miele dealer or the Miele Spare Parts Department.



- The plastic pipe (2) is connected to adapter (1) which is fitted into the vent opening on the dryer.

Example



1. Wall vent kit
(Separate fitting instructions are supplied with the Miele wall vent kit).
2. Adapter
3. Plastic piping, diameter DN 100

Installation - venting

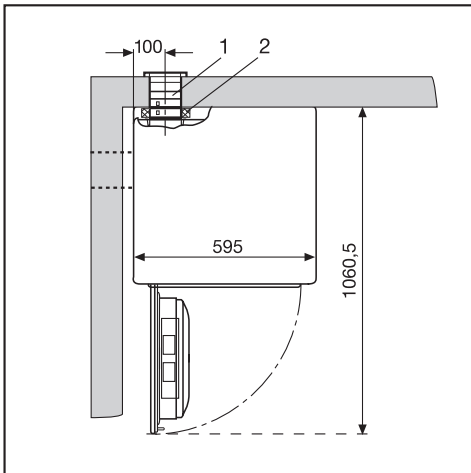
© Connect directly to a wall vent

The best method of venting the dryer is to connect it directly to the outside wall of a room. Time and energy consumption are better with plastic piping. This involves boring through an outside wall.

A wall pipe* and a flexible foam gasket* must be used (* Miele optional accessories).

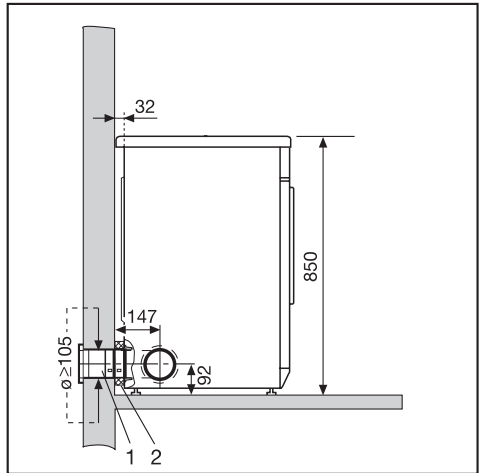
- 1 Before drilling into the wall, . . .
. . . please read the installation instructions supplied with the Miele wall vent kit.
. . . and study the following diagrams.

View from above:

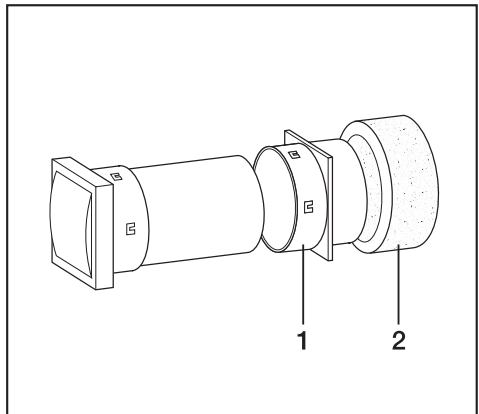


1. Wall pipe
2. Flexible foam gasket

Side view:



1. Wall pipe
2. Flexible foam gasket

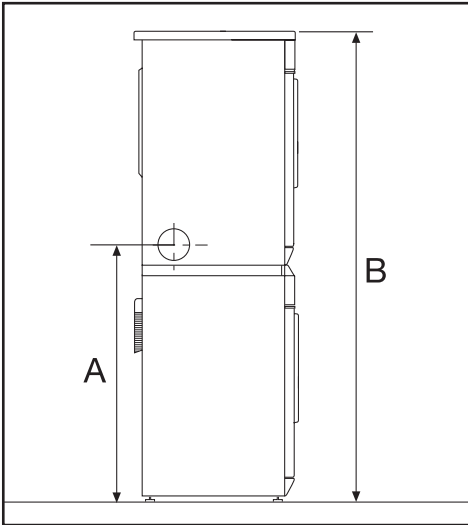


- 2 Fit the foam gasket (2) onto the adapter (1) on the wall pipe.
- 3 Push the dryer up against the wall.

Washer-dryer stack

Height of venting outlet for washer/dryer stack

Example: Miele washing machine with straight or sloping fascia



Stacking kit* without pull-out shelf:

A = 94.2 cm

B = 170.0 cm

Stacking kit* with pull-out shelf:

A = 92.8 cm

B = 168.6 cm

* Miele accessory available to order

Consumption data

	Load ¹	Final spin speed in a domestic washing machine	Residual moisture	Energy	Duration
	kg	rpm	%	kWh	Minutes
Cottons Normal²	7.0	1000	60	3.80	82
Cottons Normal	7.0	1200	53	3.40	75
	7.0	1400	50	3.25	71
	7.0	1600	48	3.15	69
	7.0	1800	43	2.85	63
Cottons Normal + Low temperature	7.0	1000	60	3.70	112
Cottons Hand iron²	7.0	1000	60	2.80	62
Cottons Hand iron	7.0	1200	53	2.45	55
	7.0	1400	50	2.30	51
	7.0	1600	48	2.20	49
	7.0	1800	43	1.90	43
Minimum iron Normal²	3.5	1200	40	1.40	34
Minimum iron Normal + Low temperature	3.5	1200	40	1.35	44
Minimum iron Hand iron	3.5	1200	40	1.20	30
Automatic plus Normal	5.0	800	50	2.45	63
Shirts Normal	2.0	600	60	1.25	32
Delicates Normal	2.5	700	50	1.00	37
Proofing Normal	2.5	800	50	1.95	72
Denim Normal	3.0	900	60	2.20	62
Express Normal	3.5	1000	60	4.30	47
Gentle smoothing	1.0	1000	60	0.60	20
Woolens handcare	2.0	1000	50	0.15	4

¹ Weight of dry laundry

² EN 61121:2005 test programme

All data was calculated using EN 61121:2005 unless otherwise stated.

Notes for test institutes:

Before testing in accordance with EN 61121, dry a 3 kg load of cotton laundry with 70% residual moisture as per the above standard using the Cottons Normal programme without any extra options.

Consumption data can vary from the nominal values given above depending on the size of the load, types of textiles, residual moisture levels after spinning, fluctuations in the electricity supply and any extra options selected.

Technical data

Height	850 mm	
Width	595 mm	
Depth	587 mm	
Depth with door open	1062 mm	
Height for building under	820 mm	
Width for building under	600 mm	
Depth for building under	600 mm	
Suitable for pushing under a worktop	Yes	
Suitable for stacking	Yes	
Weight	45 kg	
Drum volume	111 l	
Maximum capacity	7 kg dry weight	
Length of connection cable	2 m	
Voltage	}	
Connected load		
Fuse rating		see data plate
Lamp wattage		
Test certificates awarded		
Energy consumption	see "Consumption data"	

Programmable functions

Altering the residual moisture level in the Cottons programme

The tumble dryer is designed to dry effectively using as little energy as possible.

However, if you require the laundry to be drier or damper, you can reduce or increase the default residual moisture in the Cottons programme.

Follow the steps (1, 2, 3 ...) to programme and store in memory.

Before you begin, ensure that:

- The tumble dryer is switched off.
- The door is closed.

1 Press the *Start/Stop* button and keep it pressed in whilst carrying out steps 2-3.

2 Switch the dryer on.

Wait until the *Start/Stop* button lights up constantly . . .

3 . . . and then release the *Start/Stop* button.

- The *Low temperature* indicator light will flash once briefly.

A **number** to show which option is selected will appear in the display alternating with the letter *P*.

0 **Increased residual moisture. Laundry damper.**

1 **Standard residual moisture (factory default setting)**
(the *Automatic plus* indicator light will also flash once).

2 **Reduced residual moisture. Laundry drier.**
(the *Automatic plus* indicator light will also flash twice).

4 Pressing the *Start/Stop* button switches between the options.

5 Switch the dryer off.

The setting you have selected is now stored in memory. You can change it again at any time.

To check the setting:

■ Carry out steps 1 to 3.

■ Switch the dryer off after step 3.

Altering the residual moisture level in the Minimum iron programme

The tumble dryer is designed to dry effectively using as little energy as possible.

However, if you require the laundry to be drier or damper, you can reduce or increase the default residual moisture in the Minimum iron programme.

Follow the steps (1, 2, 3 ...) to programme and store in memory.

Before you begin, ensure that:

- The tumble dryer is switched off.
- The door is closed.

1 Press the *Start/Stop* button and keep it pressed in whilst carrying out steps 2–3.

2 Switch the dryer on.

Wait until the *Start/Stop* button lights up constantly . . .

3 . . . and then release the *Start/Stop* button.

4 Press the *Low temperature* button once.

- The *Low temperature* indicator light will flash twice briefly.

A **number** to show which option is selected will appear in the display alternating with the letter *P*.

0 **Increased residual moisture. Laundry damper.**

1 **Standard residual moisture (factory default setting)**
(the *Automatic plus* indicator light will also flash once).

2 **Reduced residual moisture. Laundry drier.**

(the *Automatic plus* indicator light will also flash twice).

5 Pressing the *Start/Stop* button switches between the options.

6 Switch the dryer off.

The setting you have selected is now stored in memory. You can change it again at any time.

To check the setting:

■ Carry out steps 1 to 4.

■ Switch the dryer off after step 4.

Programmable functions

Anti-crease

Anti-crease helps prevent creasing, if laundry is not normally removed immediately after the end of a programme.

The anti-crease function

- is activated when the tumble dryer is delivered. You can shorten the duration of the anti-crease phase or deactivate it if wished.
- is used in all programmes except *Woollens handcare*.
- should be left activated.

Follow the steps (1, 2, 3 ...) to programme and store in memory.

Before you begin, ensure that:

- The tumble dryer is switched off.
- The door is closed.

- 1 Press the *Start/Stop* button and keep it pressed in whilst carrying out steps 2-3.
- 2 Switch the dryer on.

Wait until the *Start/Stop* button lights up constantly . . .

- 3 . . . and then release the *Start/Stop* button.
 - 4 Press the *Low temperature* button twice.
- The *Low temperature* indicator light will flash 3 times briefly.

A **number** to show which option is selected will appear in the display alternating with the letter *P*.

▣ **Anti-crease off**

1 **1 hour anti-crease**

(the *Automatic plus* indicator light will also flash once).

2 **2 hours anti-crease (factory default setting)**

(the *Automatic plus* indicator light will also flash twice).

- 5 Pressing the *Start/Stop* button switches between the options.

- 6 Switch the dryer off.

The setting you have selected is now stored in memory. You can change it again at any time.

To check the setting:

- Carry out steps 1 to 4.
- Switch the dryer off after step 4.

Altering the volume of the buzzer

The buzzer has two volumes.

Follow the steps (1, 2, 3 ...) to programme and store in memory.

Before you begin, ensure that:

- The tumble dryer is switched off.
- The door is closed.

1 Press the *Start/Stop* button and keep it pressed in whilst carrying out steps 2–3.

2 Switch the dryer on.

Wait until the *Start/Stop* button lights up constantly . . .

3 . . . and then release the *Start/Stop* button.

4 Press the *Low temperature* button three times.

- The *Low temperature* indicator light will flash four times briefly.

A **number** to show which option is selected will appear in the display alternating with the letter *P*.

▣ **Normal buzzer**
(factory default setting)

/ **Loud buzzer**
(the *Automatic plus* indicator light will also flash)

5 Pressing the *Start/Stop* button switches between the options.

6 Switch the dryer off.

The setting you have selected is now stored in memory. You can change it again at any time.

To check the setting:

■ Carry out steps 1 to 4.

■ Switch the dryer off after step 4.

Programmable functions

Altering the standard drying level in the Automatic plus programme

The tumble dryer is designed to dry effectively using as little energy as possible.

However, if you require the laundry to be drier or damper, you can reduce or increase the default residual moisture in the Automatic plus programme.

Follow the steps (1, 2, 3 ...) to programme and store in memory.

Before you begin, ensure that:

- The tumble dryer is switched off.
- The door is closed.

1 Press the *Start/Stop* button and keep it pressed in whilst carrying out steps 2-3.

2 Switch the dryer on.

Wait until the *Start/Stop* button lights up constantly . . .

3 . . . and then release the *Start/Stop* button.

4 Press the *Low temperature* button four times.

- The *Low temperature* indicator light will flash six times briefly.

A **number** to show which option is selected will appear in the display alternating with the letter *P*.

0 **Increased residual moisture. Laundry damper.**

1 **Standard residual moisture (factory default setting)**
(the *Automatic plus* indicator light will also flash once).

2 **Reduced residual moisture. Laundry drier.**

(the *Automatic plus* indicator light will also flash twice).

5 Pressing the *Start/Stop* button switches between the options.

6 Switch the dryer off.

The setting you have selected is now stored in memory. You can change it again at any time.

To check the setting:

■ Carry out steps 1 to 4.

■ Switch the dryer off after step 4.

Extending the cooling down time

The cooling down phase which takes place before the end of a programme can be extended by 5 or 10 minutes, if required. This makes the garments easier to handle.

The cooling down time can only be extended for programmes with drying levels.

Follow the steps (1, 2, 3 ...) to programme and store in memory.

Before you begin, ensure that:

- The tumble dryer is switched off.
- The door is closed.

- 1 Press the *Start/Stop* button and keep it pressed in whilst carrying out steps 2-3.
- 2 Switch the dryer on.

Wait until the *Start/Stop* button lights up constantly . . .

- 3 . . . and then release the *Start/Stop* button.
 - 4 Press the *Low temperature* button five times.
- The *Low temperature* indicator light will flash seven times briefly.

A **number** to show which option is selected will appear in the display alternating with the letter *P*.

0 **Cooling down time not extended (factory default setting)**

1 **Cooling down time extended by five minutes**

(the *Automatic plus* indicator light will also flash once).

2 **Cooling down time extended by ten minutes**

(the *Automatic plus* indicator light will also flash twice).

5 Pressing the *Start/Stop* button switches between the options.

6 Switch the dryer off.

The setting you have selected is now stored in memory. You can change it again at any time.

To check the setting:

- Carry out steps 1 to 4.
- Switch the dryer off after step 4.

Programmable functions

Standby

To save energy, the display and the programme sequence/check lights go out after 10 minutes and the *Start/Stop* button starts flashing slowly.

To come out of standby mode

- Turn the programme selector or press a button. Neither will have any effect if a programme is running.

On

The standby function is activated and the display and programme sequence/check lights will go out after 10 minutes:

- if a programme is not selected after the dryer has been switched on.
- after a programme has started.

They will, however, come on for 10 minutes after a delay start time has counted down, at the end of the programme or the end of the anti-crease phase.

The buzzer (if selected) will sound for 10 minutes at the end of the programme.

Factory default. Not in current programme

As described under "On". However, the display and programme sequence/check lights will stay on after the programme has started and remain visible during the programme.

Off

The display and programme sequence/check lights will stay on while the dryer is switched on.

Follow the steps (1, 2, 3 ...) to programme and store in memory.

- See next page.

Before you begin, ensure that:

- The tumble dryer is switched off.
- The door is closed.

1 Press the *Start/Stop* button and keep it pressed in whilst carrying out steps 2–3.

2 Switch the dryer on.

Wait until the *Start/Stop* button lights up constantly . . .

3 . . . and then release the *Start/Stop* button.

4 Press the *Low temperature* button six times.

- The *Low temperature* indicator light will flash 8 times briefly.

A **number** to show which option is selected will appear in the display alternating with the letter *P*.

1 On

1 Factory default setting. Not in current programme

(the *Automatic plus* indicator light will also flash once).

2 Off

(the *Automatic plus* indicator light will also flash twice).

5 Pressing the *Start/Stop* button switches between the options.

6 Switch the dryer off.

The setting you have selected is now stored in memory. You can change it again at any time.

To check the setting:

- Carry out steps 1 to 4.
- Switch the dryer off after step 4.

Programmable functions

Memory function

The electronics will memorise any extra options selected for a programme. The duration selected for the Warm air or Cool air timed drying programmes will also be stored in memory.

These settings will be selected automatically the next time the programme is chosen. You can either accept these or change them by pressing the appropriate button.

Follow the steps (1, 2, 3 ...) to programme and store in memory.

Before you begin, ensure that:

- The tumble dryer is switched off.
- The door is closed.

1 Press the *Start/Stop* button and keep it pressed in whilst carrying out steps 2–3.

2 Switch the dryer on.

Wait until the *Start/Stop* button lights up constantly . . .

3 . . . and then release the *Start/Stop* button.

4 Press the *Low temperature* button seven times.

- The *Low temperature* indicator light will flash 9 times briefly.

A **number** to show which option is selected will appear in the display alternating with the letter *P*.

0 **Memory deactivated**
(factory default setting)

1 **Memory activated**
(the *Automatic plus* indicator light will also flash)

5 Pressing the *Start/Stop* button switches between the options.

6 Switch the dryer off.

The setting you have selected is now stored in memory. You can change it again at any time.

To check the setting:

■ Carry out steps 1 to 4.

■ Switch the dryer off after step 4.

Clean out airways indicator

Fluff should be removed after drying. The *Clean out airways* indicator will remind you to clean the filters when a certain amount of fluff has collected in the filters. You can decide at what level of fluff this reminder should be given.

You will have an idea of how often this should be done after a few drying programmes.

Follow the steps (1, 2, 3 ...) to programme and store in memory.

Before you begin, ensure that:

- The tumble dryer is switched off.
- The door is closed.

1 Press the *Start/Stop* button and keep it pressed in whilst carrying out steps 2–3.

2 Switch the dryer on.

Wait until the *Start/Stop* button lights up constantly . . .

3 . . . and then release the *Start/Stop* button.

4 Press the *Low temperature* button eight times.

- The *Low temperature* indicator light will flash on and off slowly once.

A **number** to show which option is selected will appear in the display alternating with the letter *P*.

0 ***Clean out airways* indicator light deactivated**

1 ***Clean out airways* indicator light comes on when there is a heavy build-up of fluff**

(the *Automatic plus* indicator light will also flash once).

2 **Factory default setting**

(the *Automatic plus* indicator light will also flash twice).

3 ***Clean out airways* indicator light comes on when there is only a light build-up of fluff**

(the *Automatic plus* indicator light will also flash three times).

5 Pressing the *Start/Stop* button switches between the options.

6 Switch the dryer off.

The setting you have selected is now stored in memory. You can change it again at any time.

To check the setting:

■ Carry out steps 1 to 4.

■ Switch the dryer off after step 4.

Programmable functions

Keypad tone

An audible tone sounds each time a button is pressed.

Follow the steps **(1, 2, 3 ...)** to programme and store in memory.

Before you begin, ensure that:

- The tumble dryer is switched off.
- The door is closed.

1 Press the *Start/Stop* button and keep it pressed in whilst carrying out steps **2-3**.

2 Switch the dryer on.

Wait until the *Start/Stop* button lights up constantly . . .

3 . . . and then release the *Start/Stop* button.

4 Press the *Low temperature* button nine times.

- The *Low temperature* indicator light will flash on and off slowly once and then on and off quickly once.

A **number** to show which option is selected will appear in the display alternating with the letter *P*.

0 Keypad tone deactivated
(factory default setting)

1 Keypad tone activated
(the *Automatic plus* indicator light will also flash)

5 Pressing the *Start/Stop* button switches between the options.

6 Switch the dryer off.


The setting you have selected is now stored in memory. You can change it again at any time.

To check the setting:

■ Carry out steps **1** to **4**.

■ Switch the dryer off after step **4**.

Adjusting the dryer's electronics for very soft water

 In some areas of the UK, water is extremely soft which can affect the sensitivity of the control electronics. If the dryer is installed in an area of very soft water, you should contact your local water supplier for information and advice regarding water hardness and water conductivity. If the water conductivity is less than 150 μS , the following programmable function will need to be activated.

Important. This programmable function should not be activated if, despite the water being extremely soft (as would be the case if a water softener were used), its conductivity is greater than 150 μS .

Follow the steps (1, 2, 3 ...) to programme and store in memory.

Before you begin, ensure that:

- The tumble dryer is switched off.
- The door is closed.

1 Press the *Start/Stop* button and keep it pressed in whilst carrying out steps **2-3**.

2 Switch the dryer on.

Wait until the *Start/Stop* button lights up constantly . . .

3 . . . and then release the *Start/Stop* button.

4 Press the *Low temperature* button ten times.

- The *Low temperature* indicator light will flash on and off slowly once and then on and off quickly twice.

A **number** to show which option is selected will appear in the display alternating with the letter *P*.

0 Factory default setting

1 Adjusted for very soft water

(the *Automatic plus* indicator light will also flash)

5 Pressing the *Start/Stop* button switches between the options.

6 Switch the dryer off.

The setting you have selected is now stored in memory. You can change it again at any time.

To check the setting:

■ Carry out steps **1** to **4**.

■ Switch the dryer off after step **4**.

Programmable functions

Extending the range of the drying levels

You can extend the range of the drying levels for many of the programmes:

Machine iron+

(drier than Machine iron).

Slightly dry

(drier than Hand iron).

Normal+

(drier than Normal).

This programmable function is only available for programmes with drying levels.

Follow the steps (1, 2, 3 ...) to programme and store in memory.

Before you begin, ensure that:

- The tumble dryer is switched off.
- The door is closed.

1 Press the *Start/Stop* button and keep it pressed in whilst carrying out steps **2-3**.

2 Switch the dryer on.

Wait until the *Start/Stop* button lights up constantly . . .

3 . . . and then release the *Start/Stop* button.

4 Press the *Low temperature* button eleven times.

- The *Low temperature* indicator light will flash on and off slowly once and then on and off quickly three times.

A **number** to show which option is selected will appear in the display alternating with the letter *P*.

0 Factory default setting

1 Drying level range extended

(the *Automatic plus* indicator light will also flash).

5 Pressing the *Start/Stop* button switches between the options.

6 Switch the dryer off.

The setting you have selected is now stored in memory. You can change it again at any time.

To check the setting:

- Carry out steps **1** to **4**.
- Switch the dryer off after step **4**.

To select the extended drying level

- Select a programme.
- Press the drying level button repeatedly until one or two indicator lights come on.
 - Indicator lights *Extra dry* and *Normal* = Normal+
 - Indicator lights *Normal* and *Hand iron* = Slightly dry
 - Indicator lights *Hand iron* and *Machine iron* = Machine iron+

United Kingdom

Miele Co. Ltd.
Fairacres, Marcham Road
Abingdon, Oxon, OX14 1TW
Tel: 0845 365 0555
Fax: 0845 365 0777
Customer Contact Centre Tel: 0845 365 6600
E-mail: info@miele.co.uk
Internet: www.miele.co.uk

Australia

Miele Australia Pty. Ltd.
ABN 96 005 635 398
1 Gilbert Park Drive, Knoxfield, VIC 3180
Tel: 1300 464 353, Fax: (03) 9764 7149
Internet: www.miele.com.au

China

Miele (Shanghai) Trading Ltd.
1-3 Floor, No. 82 Shi Men Yi Road
Jing' an District
200040 Shanghai, PRC
Tel: +86 21 6157 3500
Fax: +86 21 6157 3511
E-mail: miele Shanghai@cn.miele.com
Internet: www.miele.cn

Miele (Hong Kong) Limited

41/F - 4101, Manhattan Place
23 Wang Tai Road
Kowloon Bay
Hong Kong
Tel: (852) 2610 1331
Fax: (852) 2610 1013
Email: mielehk@miele.com.hk

India

Miele India Pvt. Ltd.
Ground Floor, Copia Corporate Suites
Plot No. 9, Jasola
New Delhi - 110025
Tel: 011-46 900 000, Fax: 011-46 900 001
E-mail: customercare@miele.in
Internet: www.miele.in

Manufacturer: Germany - Miele & Cie. KG
Carl-Miele-Straße 29, 33332 Gütersloh



Ireland

Miele Ireland Ltd.
2024 Bianconi Avenue
Citywest Business Campus, Dublin 24
Tel: (01) 461 07 10, Fax: (01) 461 07 97
E-Mail: info@miele.ie, Internet: www.miele.ie

New Zealand

Miele New Zealand Limited
Unit L, 10-20 Sylvia Park Road
Mt. Wellington, 1060, Auckland, NZ
Tel: 0800 264 353, Fax: 0800 463 453
Internet: www.miele.co.nz

Singapore

Miele Southeast Asia
Miele Pte. Ltd.
163 Penang Road
04 - 02/03 Winsland House II
Singapore 238463
Tel: +65 6735 1191, Fax: +65 6735 1161
E-Mail: infosea@miele.com.sg
Internet: www.miele.sg

South Africa

Miele (Pty) Ltd
63 Peter Place, Bryanston 2194
P.O. Box 69434, Bryanston 2021
Tel: +27 (0) 11 548-1900
Fax: +27 (0) 11 548-1935
E-mail: info@miele.co.za
Internet: www.miele.co.za

United Arab Emirates

Miele Appliances Ltd.
P.O. Box 11 47 82
Gold & Diamond Park
Sheikh Zayed Road
Building 6 / Offices Nos. 6-214 to 6-220
Dubai
Tel: +971-4-341 84 44
Fax: +971-4-341 88 52
E-Mail: info@miele.ae
Internet: www.miele.ae