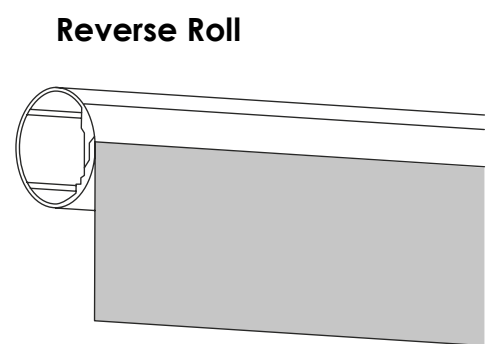
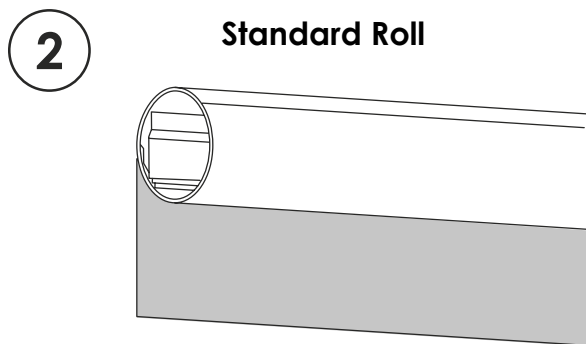
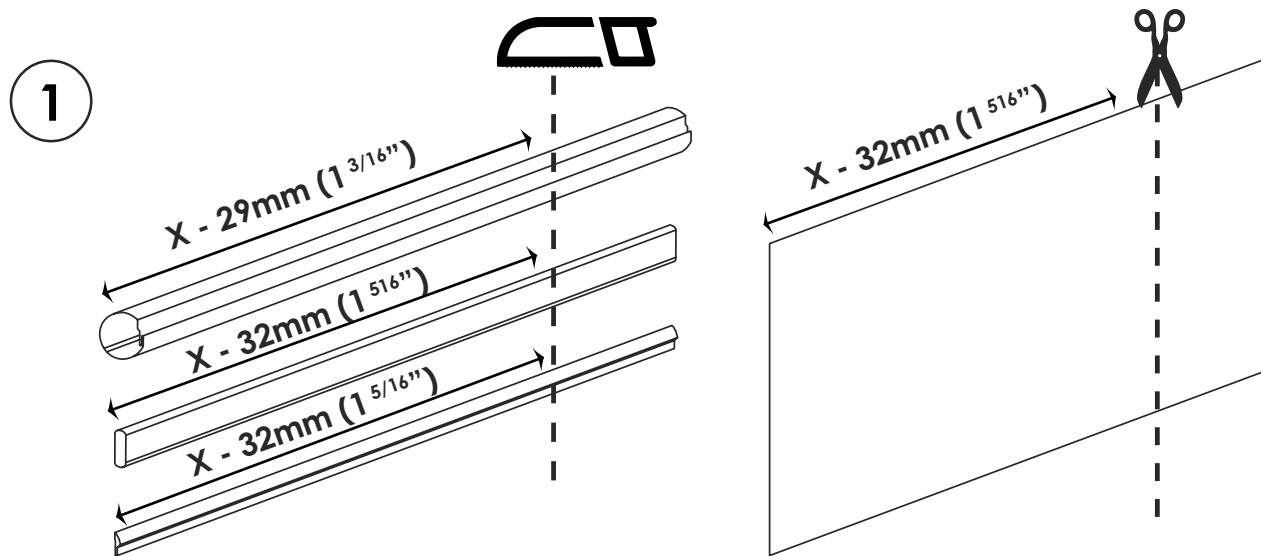
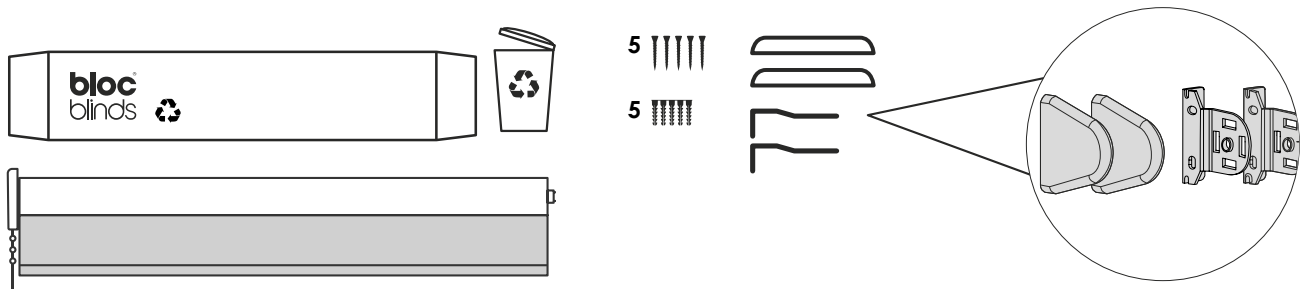


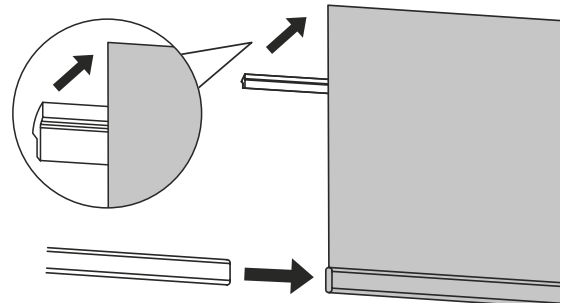
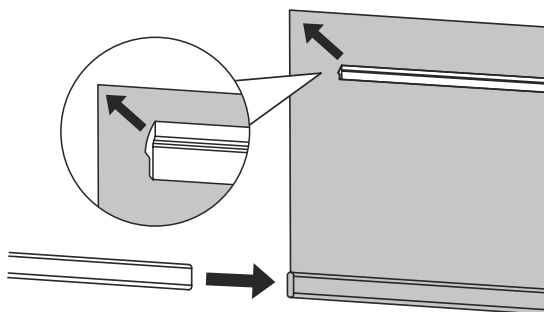


# Readymade Roller Blind

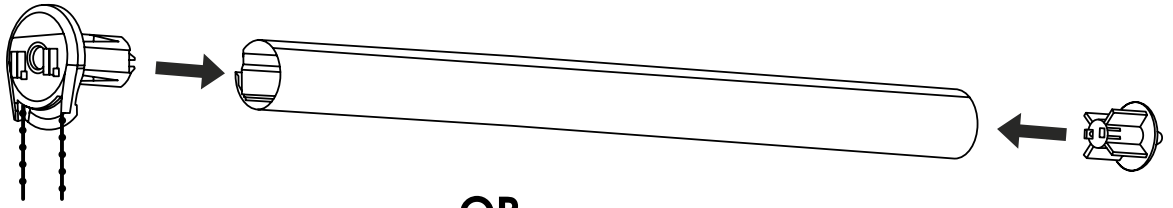
Instructions / Anleitung / Istruzioni / Pokyny / Instruktionser / Instructies



OR



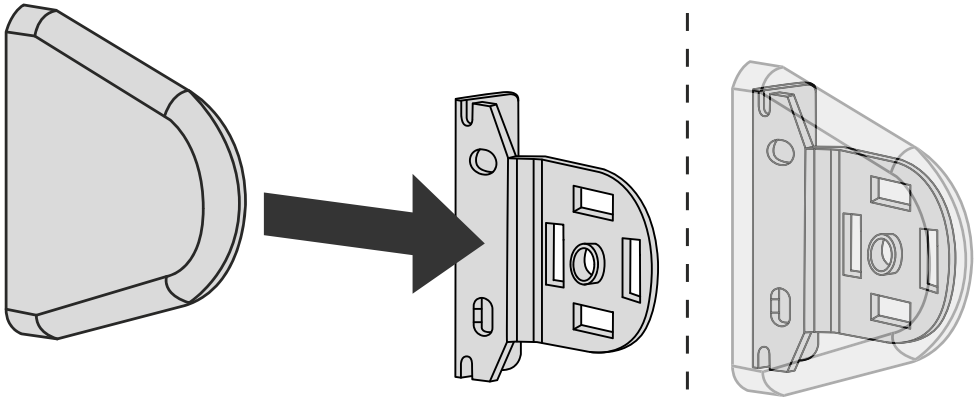
3



OR

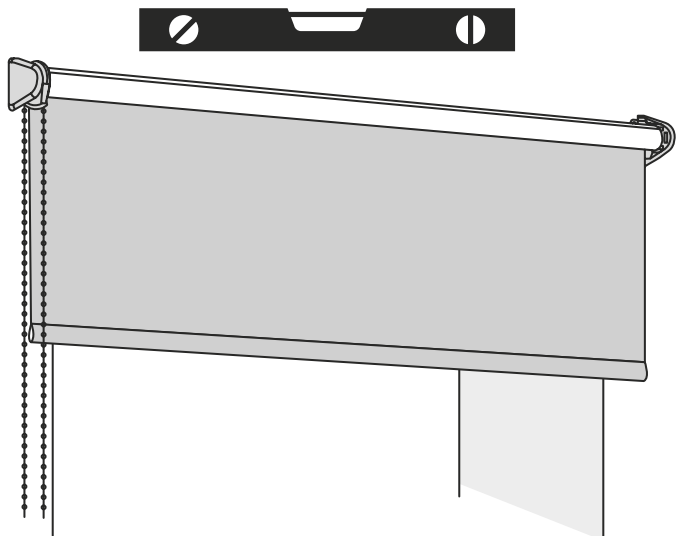
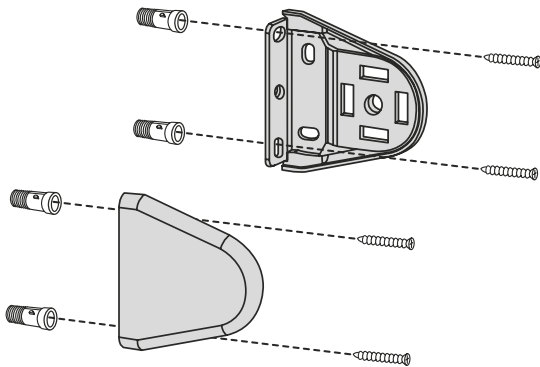


4



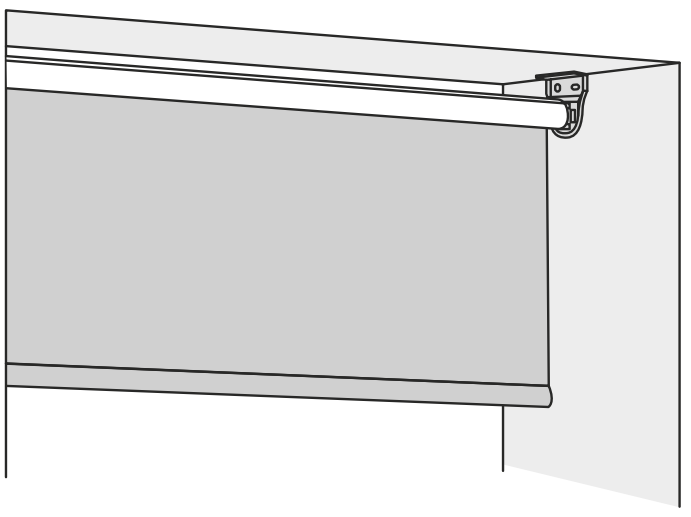
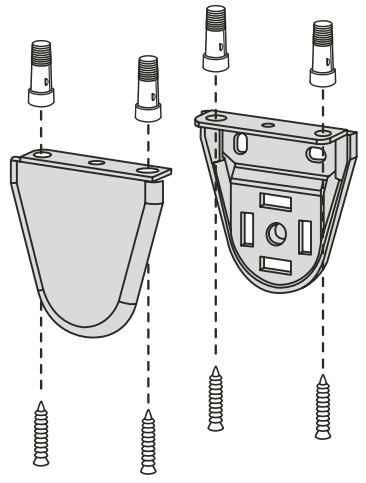
5a

Surface Face Fix



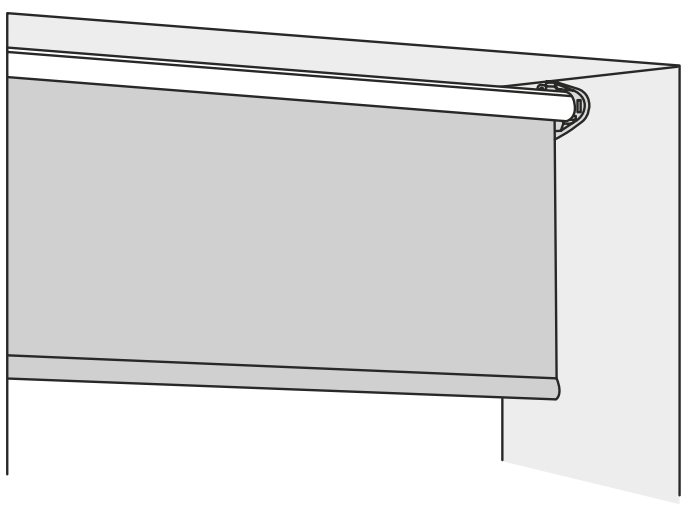
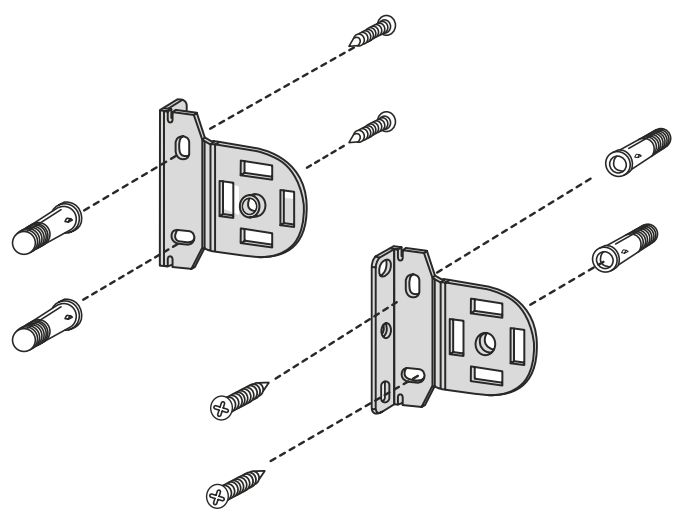
5b

Recess Top Fix

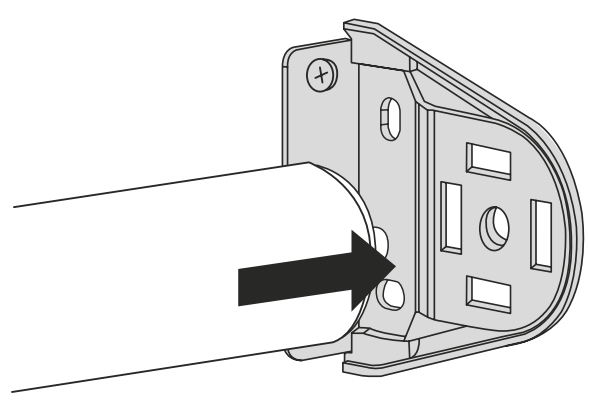


5c

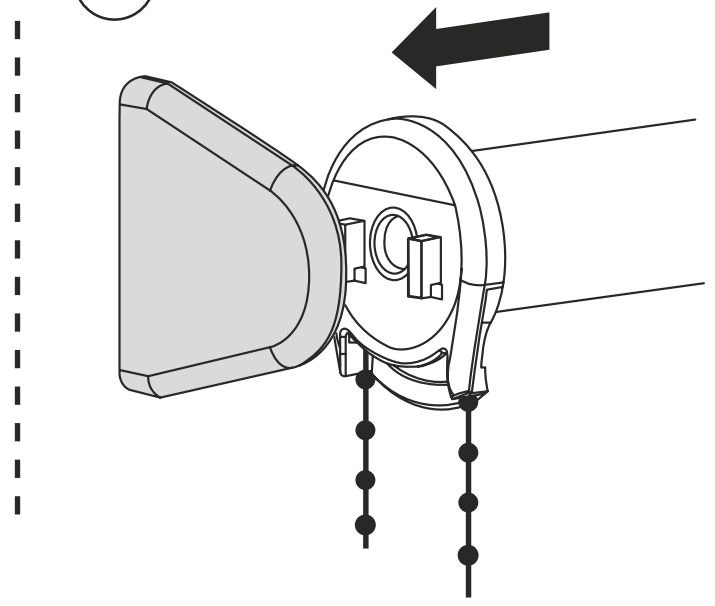
Recess Side Fix



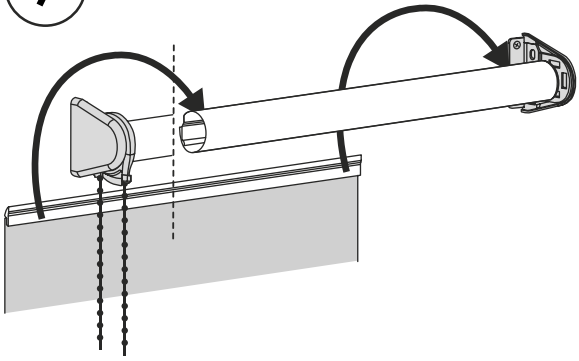
6a



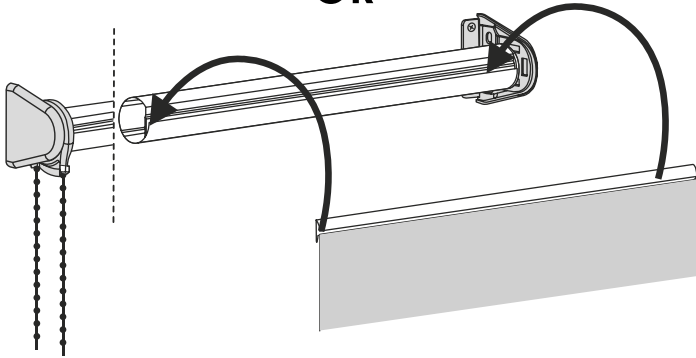
6b



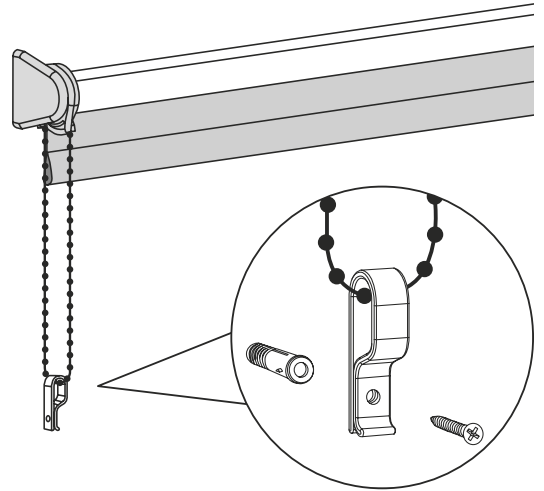
7



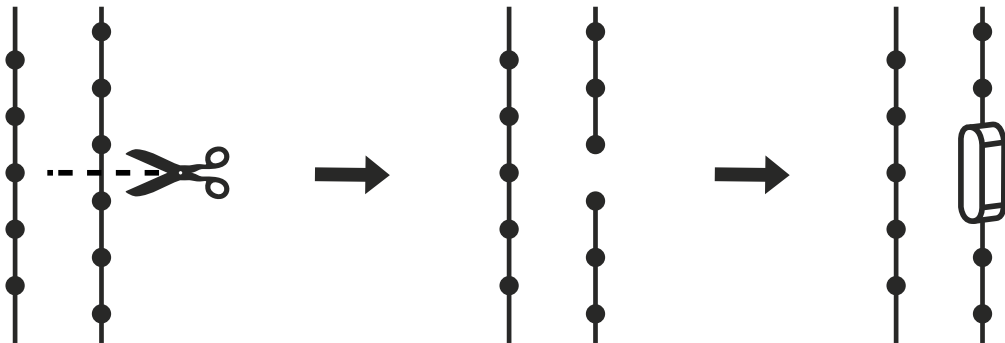
OR



8

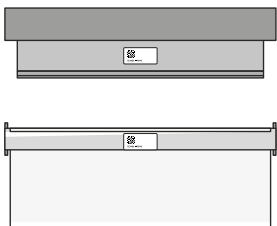


9

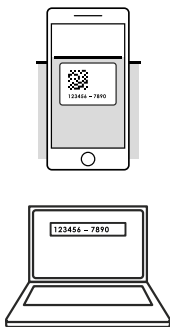


### Scan, Shop, Swap

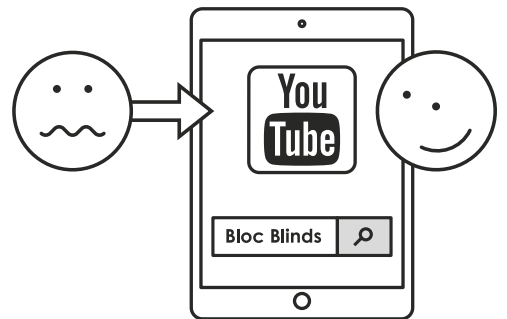
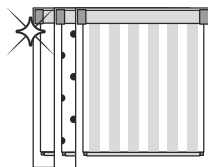
1



2



3



0800 107 5535