

Product information

- Indoor use only
- Dimmable - When used with dimmable bulbs
- Replacement bulbs should be the same type and rating, available from John Lewis Partners or other established brands
- Clean the fitting with a soft dry cloth. Do not use abrasive chemical cleaners as this will damage the finish

Aftercare and Troubleshooting

You've switched on the light, but it's not working:

1. Check your power supply is switched on
2. Turn off the light and check that the bulb is inserted correctly
3. Check the bulb is still in working order

If there are technical issues with this product that you can't solve, please contact your nearest John Lewis & Partners shop or call Technical Support on 03301 230106.


Specification

Max power: 15W
Recommended bulb:
1 x 15W E27 GLS LED bulb for maximum brightness.
Lower wattages are also available.
Rated input: 220 –240V, 50Hz
Bulbs not included
IP rating: 20
Weight: 1.4kg

5-year guarantee

At John Lewis & Partners we test every light to high quality standards. That means we can offer you a 5-year guarantee.

Recycling

This symbol  indicates that this product should not be treated as normal household waste and it should be recycled. John Lewis & Partners do not operate instore take back, but as members of the Distributor Take Back scheme have funded the development and upgrade of recycling facilities across the UK. Please take it to your nearest collection facility or for further details contact your local council or visit www.recycle-more.co.uk.

John Lewis Plc
171 Victoria Street
London SW1E 5NN
johnlewis.com

Made in China

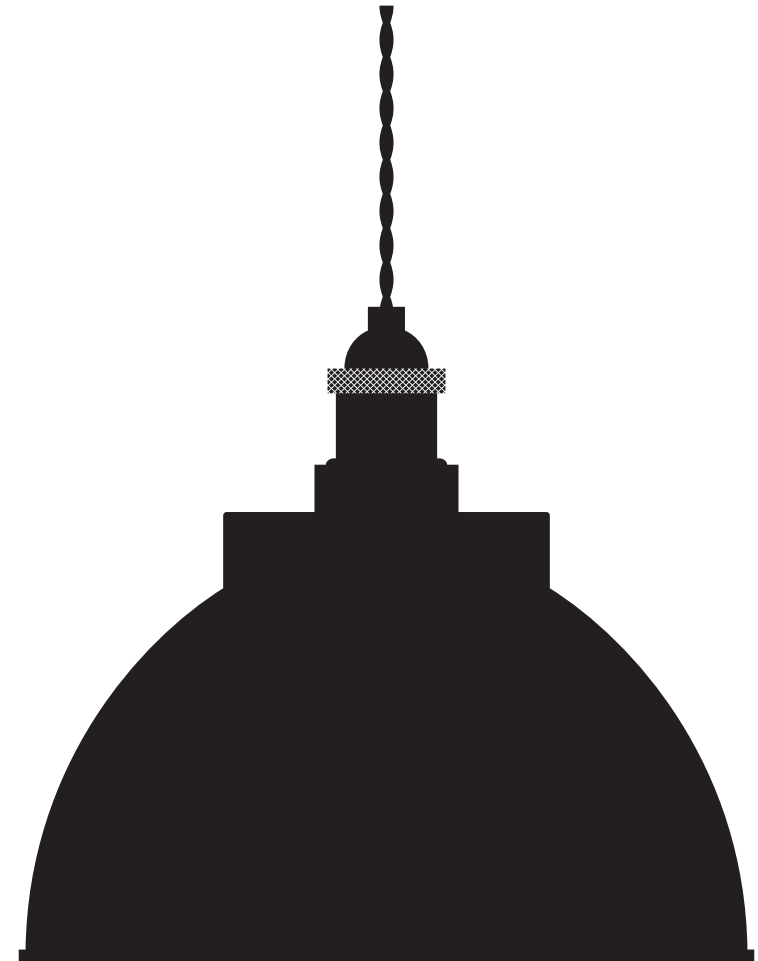


22/03/2023

Please retain these instructions for future reference.



BALDWIN LARGE CEILING LIGHT USER GUIDE



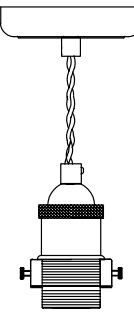
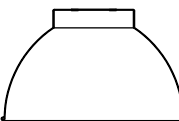
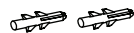

Getting started

Thank you for purchasing this John Lewis & Partners product. For your safety, and to make sure everything is working properly, please read the instructions carefully before use.

Warnings

This is a Class 1 product and must be earthed. It is recommended that this fitting is installed by a qualified electrician. Install in accordance with the IEE Wiring regulations and the Building Regulations. To prevent electrocution switch off at mains supply before installing or maintaining this fitting. Ensure other persons cannot restore the electrical supply without your knowledge. If you are in any doubt, please consult a qualified electrician. This light fitting should be connected to a 5 amp fused circuit. If replacing an existing fitting, make a note of the connections. Always use the correct type and wattage bulb. Never exceed the wattage stated. When changing a bulb always switch off at the mains and allow to cool down. Dispose of used bulbs carefully. This product is suitable for installation on surfaces with normal flammability e.g. wood, plasterboard, masonry. It is not suitable for use on highly flammable surfaces (e.g. polystyrene, textiles). For your safety, always switch off the supply and allow the fitting to cool down before changing lightbulbs, cleaning or removing shades.

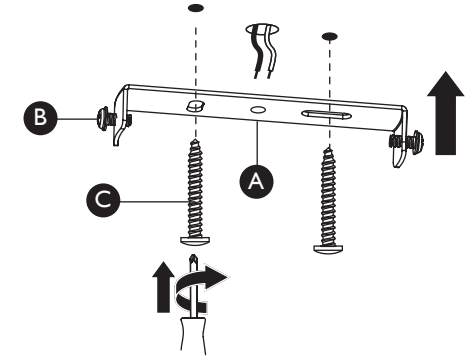
Parts list

Description	Image	Quantity
Light fitting with shade ring (fitted)		x 1
Shade		x 1
Wall plugs		x 2
Screws		x 2

Product assembly

Step 1

Refer to assembly diagrams right. Carefully unpack the carton, making sure all the parts are present before assembly. Before removing the existing fitting, carefully note the position of each set of wires.

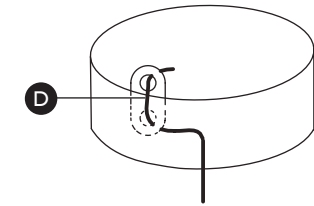


Step 2

Remove the fixing bracket (A) from the ceiling cover by the removing side screws (B). Attach to the ceiling using the screws provided (C). Ensure there is a joist at the point of fixing to support the weight of the product. Take care to avoid damaging any concealed wiring and pipes.

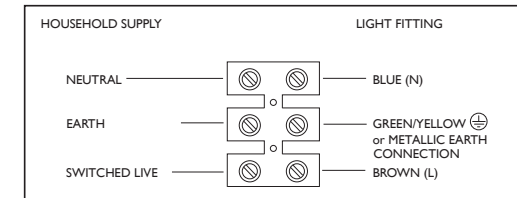
Step 3

The hanging height of this product can be adjusted. Work out the required height and feed the cable through the cord grip (D) until the desired height is achieved. It maybe necessary to cut, shorten and reconnect the cable. If you are unsure how to do this, contact a qualified electrician.



Step 4

Having identified the household wiring from your existing light fitting, connect to the connection block inside the product in the following way. Check that: You have correctly identified the house wires. The connections are tight. No loose strands have been left out of the connection block.



Step 5

Attach the product to the fixing bracket using side screws (B), by locating the screws in the bracket into the holes in the ceiling cover and tightening the screws to secure.

Step 6

Remove the shade ring (E) from the threaded lampholder (F). Place the shade (G) over the threaded lampholder and secure in place by refitting the shade ring. Do not overtighten.

Step 7

Fit the recommended bulb as per the details overleaf.

Step 8

Replace fuse or circuit breaker and switch on. Your light is now ready for use.

