

### Care and maintenance

Your furniture may be cleaned by wiping with a damp cloth and drying with a soft clean cloth.

Do not use abrasives, bleach, alcohol or ammonia-based household polishes.

Take care when handling or moving the furniture.

### Wood Furniture

Wood displays different grain patterns depending on which way they cut - for example, the 'medullary ray' which can appear on oak furniture is a mark of good quality timber - these are just characteristics of the natural beauty of the wood. Some furniture is also deliberately aged and rustic.

Wood veneers also allow distinctive patterns to be created on flat surfaces, such as table tops and drawer fronts by the way the slivers are arranged.

All timber surfaces will change colour and mellow over time. New furniture will initially vary in shade from items that have been previously purchased.

### Safety notes

Periodically check all fixings to ensure none have come loose and that there is no risk of clothing or parts of the body becoming snagged or trapped.

Furniture can be dangerous if incorrectly installed. Assembly should be carried out by a competent person.

Keep children clear during assembly as pack contains small parts which may present a choking hazard.

Do not allow your child to climb on this furniture.

Be aware of the risk of open fires and other such sources of strong heat, such as electric bar fires, gas fires, etc in the vicinity of the chest of drawers.

Do not use this chest of drawers if any components are missing or damaged.

# Lasko chest of drawers



## Instruction manual

**Important**  
**Retain for future reference**  
**Please read carefully**

Thank you for purchasing this Lasko chest of drawers. Please read the instructions and warnings carefully before use to ensure safe and satisfactory operation of this product.

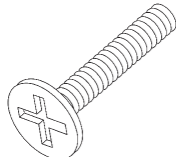
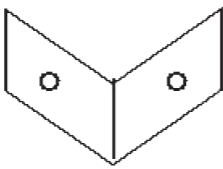

Your child's safety is your responsibility. If you have a query with this product or require replacement parts, please contact your nearest John Lewis department store.

Lay out the parts on a soft level surface and compare to the part/fixings checklist on pages this page. Do not discard any packaging until you are sure that you have all the parts.

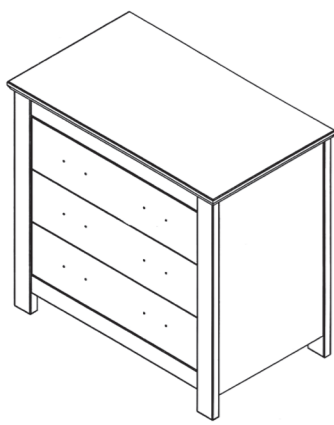
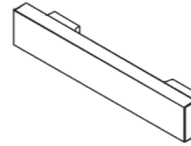
Ensure that your child is kept clear during assembly due to small parts.

This product complies with BS EN 14749/2006 .

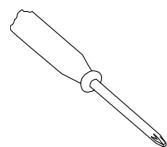
### Fixings

-  Handle bolt x 12
-  Metal bracket x 2
-  Screws x 4

### Parts

-  Chest x 1
-  Handles x 6

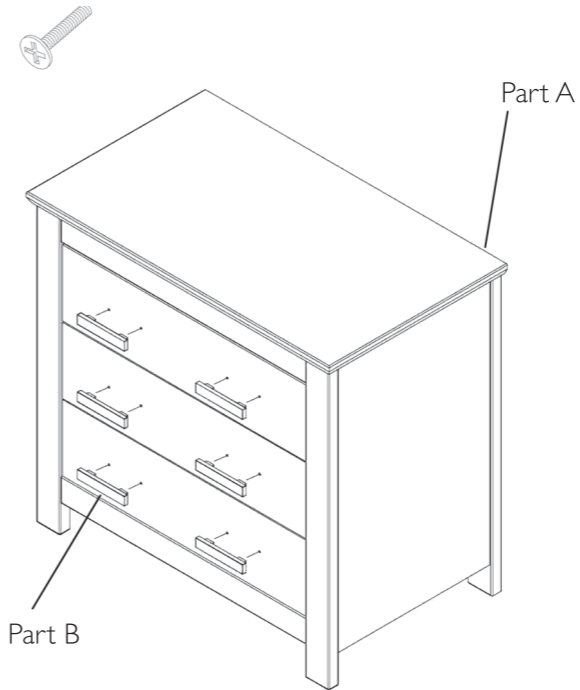
You will need:



1 x Cross head screwdriver

### Step 1

Fixing 1 x 12

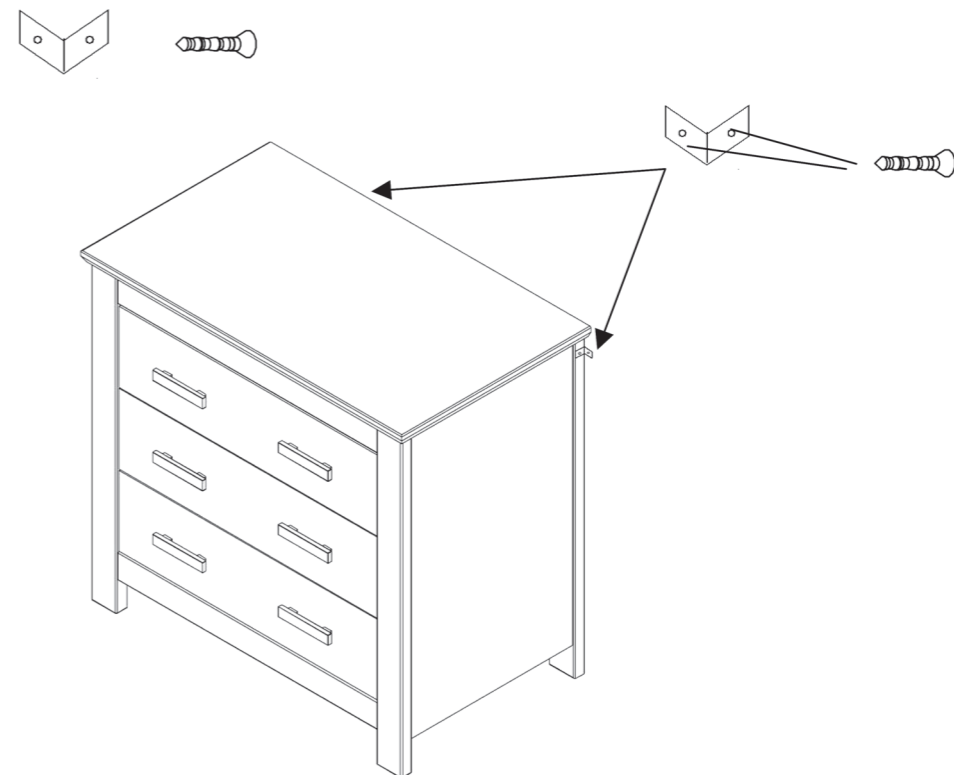


Fix handles part B to the chest part A using 12 handle bolts (fixing 1).

### Step 2

Fixing 2 x 2

Fixing 3 x 4



Screw the metal bracket (fixing 2) using the two screws (fixing 3) to each back leg and wall for security reason.