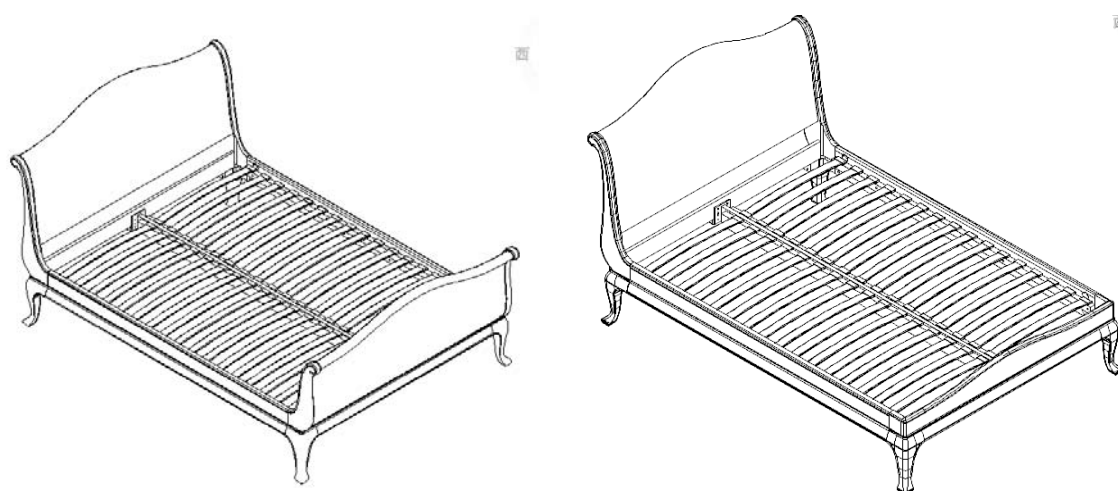


John Lewis

Etienne sleigh HE 150cm bedstead
Etienne sleigh HE 180cm bedstead
Etienne sleigh LE 150cm bedstead
Etienne sleigh LE 180cm bedstead

Stock number: 803 16804
803 16805
803 16824
803 16825

Thank you for purchasing this product. Please read the instructions carefully before use to ensure safe and satisfactory operation of this product



Pre-assembly preparation

Please ensure instructions are read in full before attempting to assemble this product

Necessary Tools



Please check the pack contents before attempting to assemble this product. A full checklist of components is given in this leaflet. If any components are missing, please contact the local John Lewis branch or our Customer Service Team.

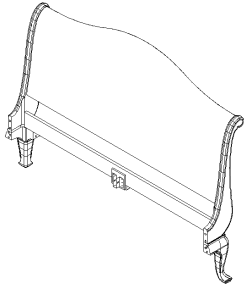
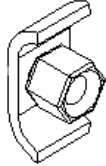
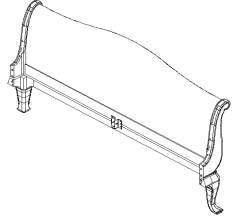
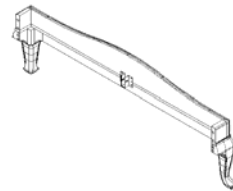

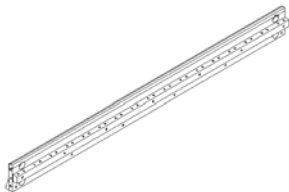
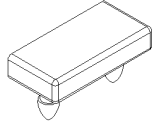
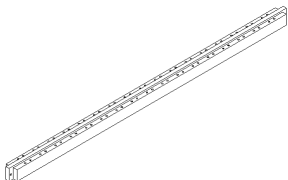
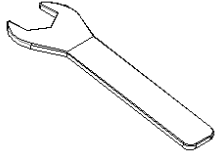
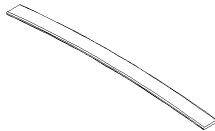
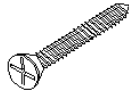
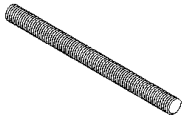
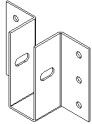
This product is **HEAVY**, it should be assembled as near as possible to the point of use. **TAKE CARE WHEN LIFTING** to avoid personal injury and (or) damage to the product.

This product takes approximately **45 MINUTES** to assemble with **2 PEOPLE**.

The fittings pack contains **SMALL ITEMS** which should be **KEPT AWAY FROM YOUNG CHILDREN**.

Read this leaflet in full before commencing assembly.

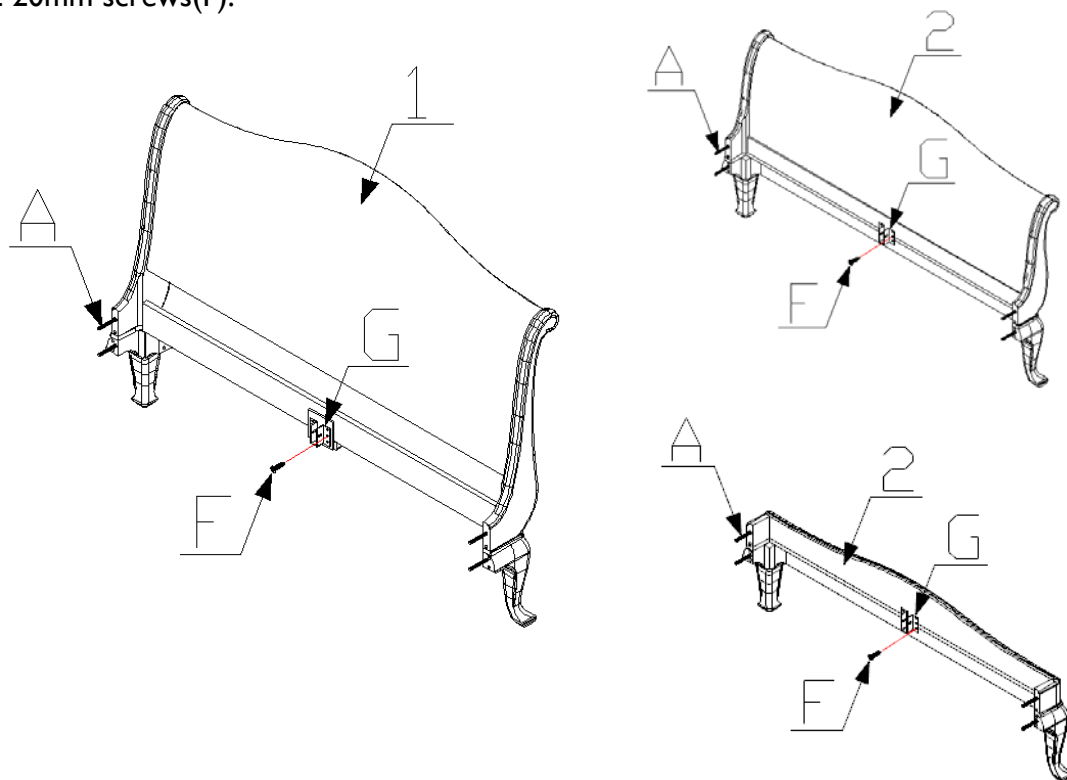
Fittings and parts checklist

I	Headboard X1		B	Nut Washer X 8	
2	Footboard X1	 or 	C	Nut & Bolt(6*40) X2	
3	Side Rail X2		D	Plastic Cap X 68	
4	Centre Rail X1		E	Spanner X 1	
5	Slat X 34		F	20mm Screw(4*20) X 12	
A	Bolt X 8		G	Centre Rail Support X 2	

Step by step assembly instructions

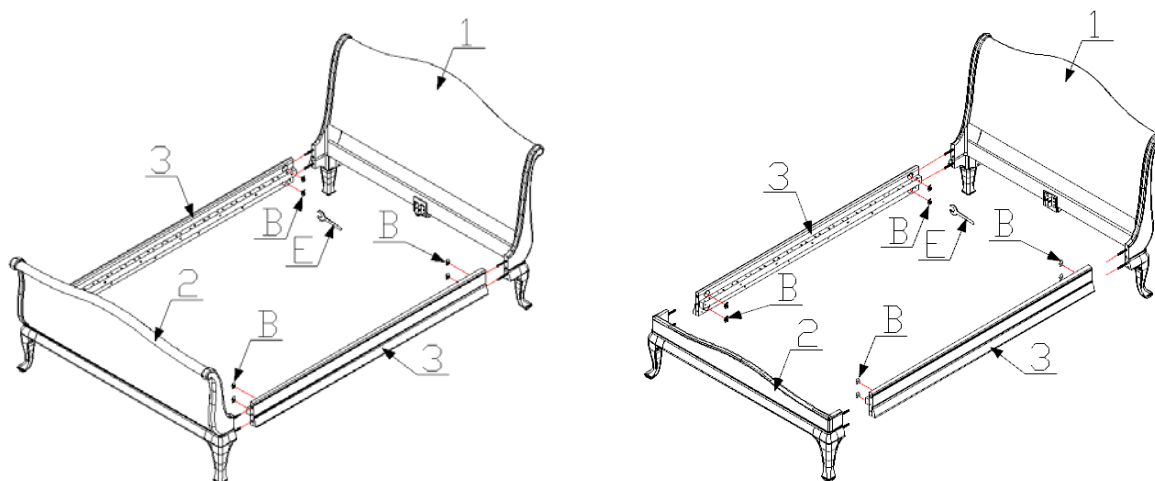
Step One

1. Screw the 8 bolts (A) into the headboard(1) and footboard(2), and tighten by hand.
2. Attach the centre rail supports (G) to the bottom rail of the headboard and footboard, secure using 12 20mm screws(F).



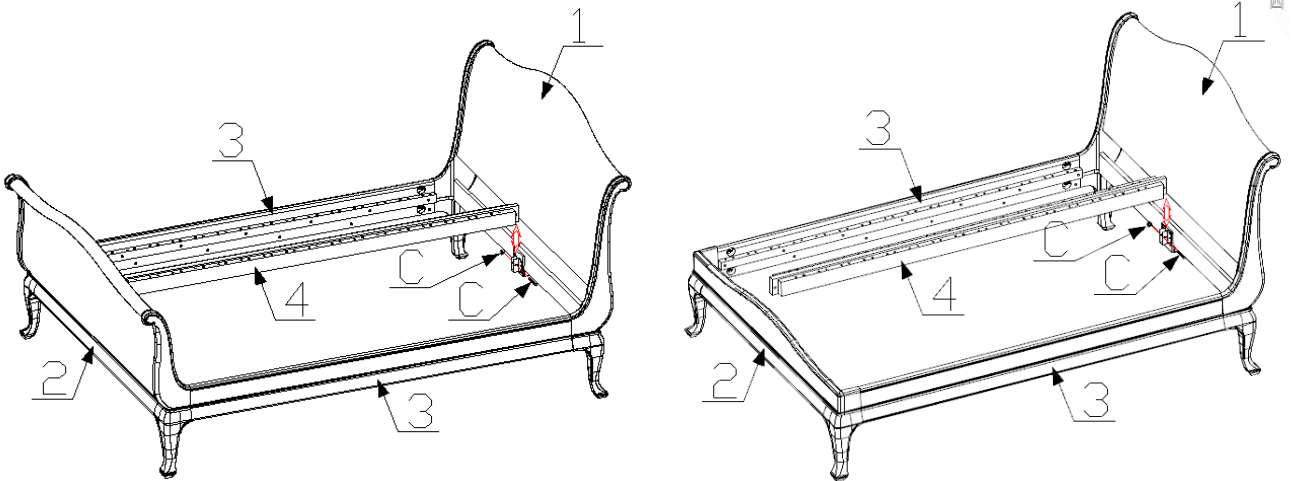
Step Two

1. Locate the side rails(3) onto the threads protruding from the headboard and footboard. Locate the nut washer (B) onto the threads and secure by hand at first. Tighten using the open ended spanner(E).



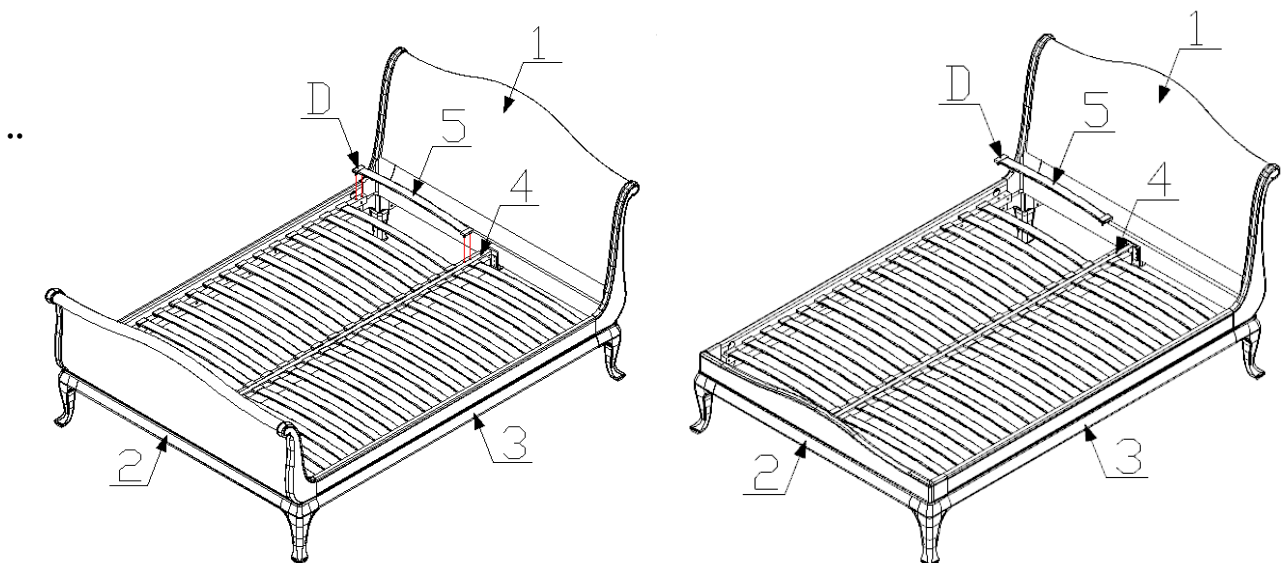
Step Three

1. Locate the centre rail (4) onto the centre rail supports. Secure using two nut & bolt (C), one each end.



Step Four

1. Push fit two plastic caps (D) onto either end of the slat (5). Push fit the slat into the pre-drilled pilot holes in the side rail and centre rail.
2. Repeat this step with the remaining 33 slats. The assembly is now completed.



Etienne Range

Care and Maintenance

Wood Furniture

The Etienne range has been sourced by John Lewis from the finest American Oak and each piece has been carefully constructed to ensure it will give you years of pleasure. The natural characteristics of this oak range may include small cracks, knots, blemishes and grain pattern variations which all add to the natural charm and beauty of this furniture product. Each piece is unique, and for this reason no two pieces within the range will perfectly match, however there will be harmony between all the pieces you may have purchased.

How to care for your wood furniture

Try to avoid prolonged exposure to direct sunlight as this may alter the colour and the tone of your furniture over time.

Any spillages that do happen should be wiped up immediately with a clean dry lint free cloth to avoid marking the surface of the furniture.

Safety Instructions

General warnings:

Never drag furniture when moving it, always lift it.

Periodically check all fixings to ensure none have come loose and re-tighten where necessary.

Please take care when handling or moving the furniture as careless handling may cause damage or injury.

Furniture can be dangerous if incorrectly installed. Assembly should be carried out by a competent person. No liability will be accepted for damage or injury caused by incorrectly installed or assembled furniture.

PLEASE KEEP THESE INSTRUCTIONS FOR FUTURE REFERENCE

John Lewis Partnership 171 Victoria Street London SW1E 5NN

www.johnlewis.com