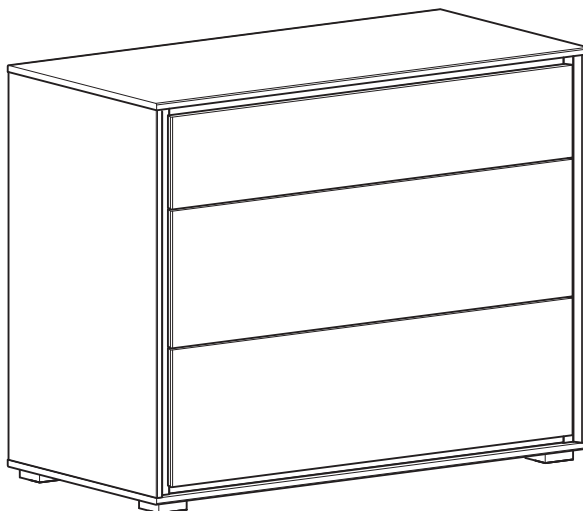


Napoli chest 3 drawers

Stock Code: 80310604

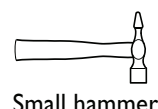
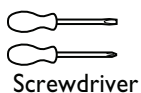
Thank you for purchasing this Napoli chest 3 drawers. Please read the instructions carefully before use to ensure safe and satisfactory operation of this product.



PRE-ASSEMBLY PREPARATION

Please ensure instructions are read in full before attempting to assemble this product.

Necessary Tools



Please check the pack contents before attempting to assemble this product. A full checklist of components is given in this leaflet. If any components are missing, please contact the John Lewis Helpline.

This product is **HEAVY**, it should be assembled as near as possible to the point of use. **TAKE CARE WHEN LIFTING** to avoid personal injury and (or) damage to the product.

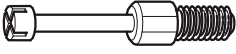


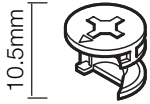
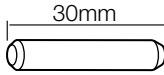
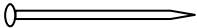
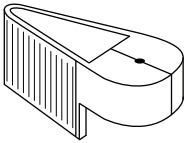



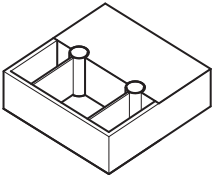
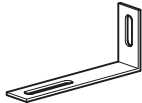

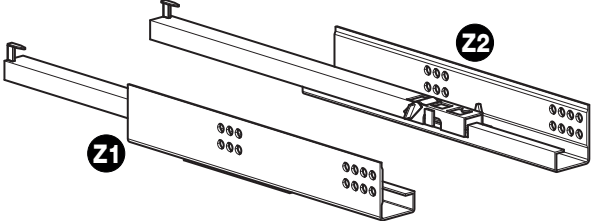
This product takes approximately **50 MINUTES** to assemble with **2 PEOPLE**.

The fittings pack contains **SMALL ITEMS** which should be **KEPT AWAY FROM YOUNG CHILDREN**.

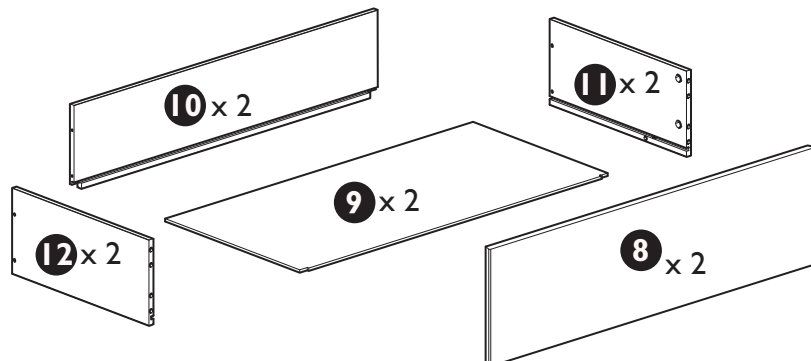
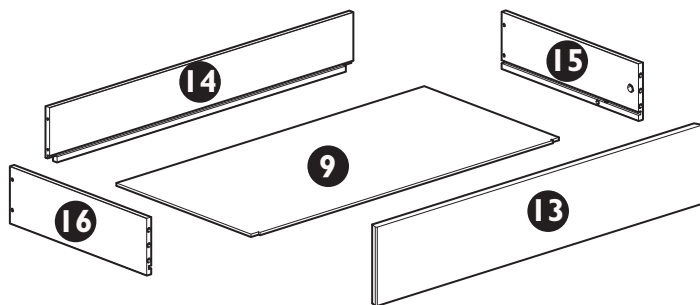
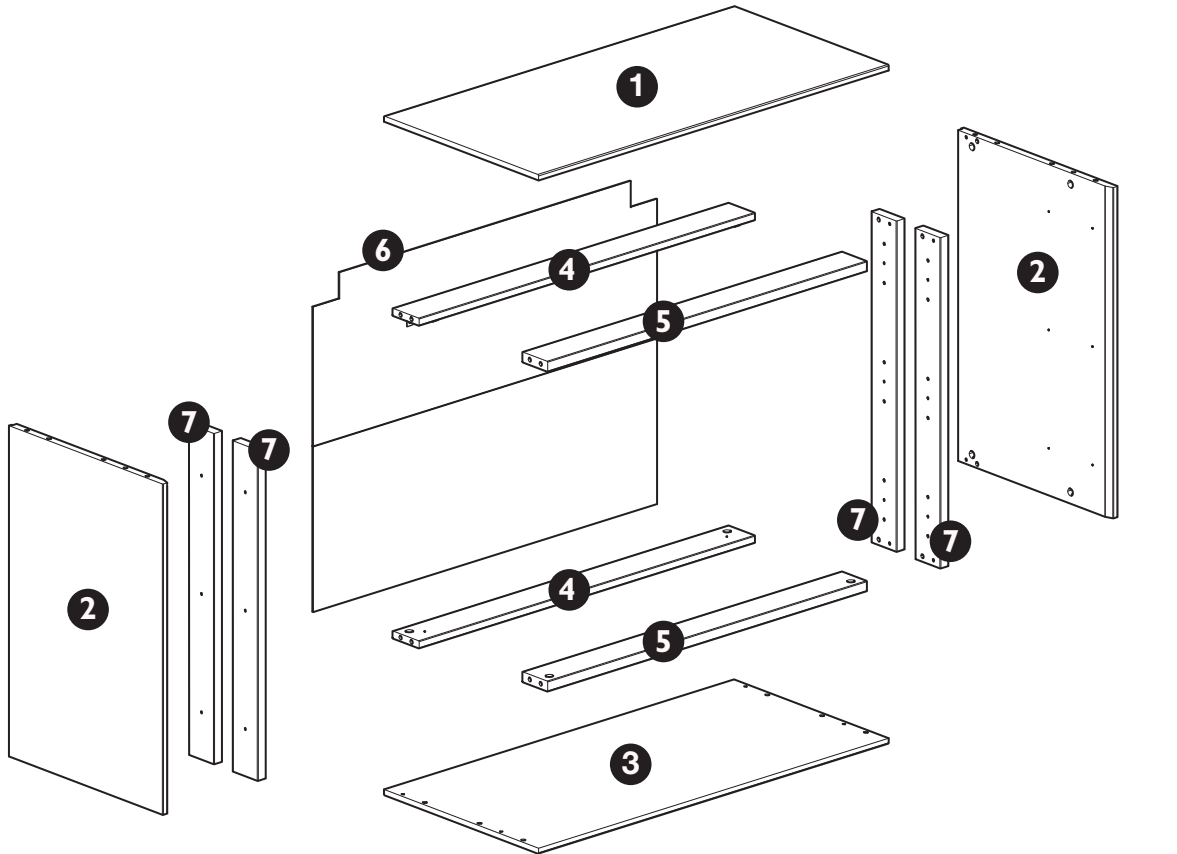
Read this leaflet in full before commencing assembly.

If you are missing some fittings please contact our spare parts helpline on 0330 005 9435. Opening hours are 9am - 5pm Monday to Friday.

Fittings checklist

<p>A</p>  <p>Metal dowel x 26</p>	<p>B</p>  <p>30mm Screw x 20</p>	<p>C</p>  <p>Middle cam lock x 16</p>
<p>D</p>  <p>Short cam lock x 10</p>	<p>E</p>  <p>Wooden dowel x 32</p>	<p>F</p>  <p>25mm Nail x 30</p>
<p>G</p>  <p>Nail guide x 1</p>	<p>H</p>  <p>11mm Euro screw x 12</p>	<p>I</p>  <p>15mm Screw x 2</p>
<p>L</p>  <p>30mm Screw x 12</p>	<p>M</p>  <p>Support foot x 4</p>	<p>N</p>  <p>Bracket "L" x 2</p>
<p>O</p>  <p>Spacer x 4</p>	 <p>Runners 3</p>	

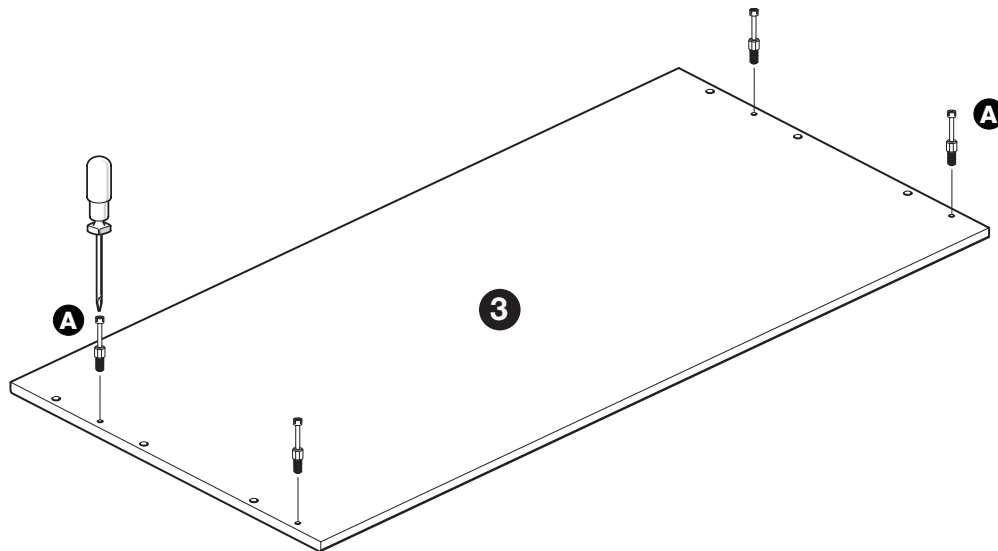
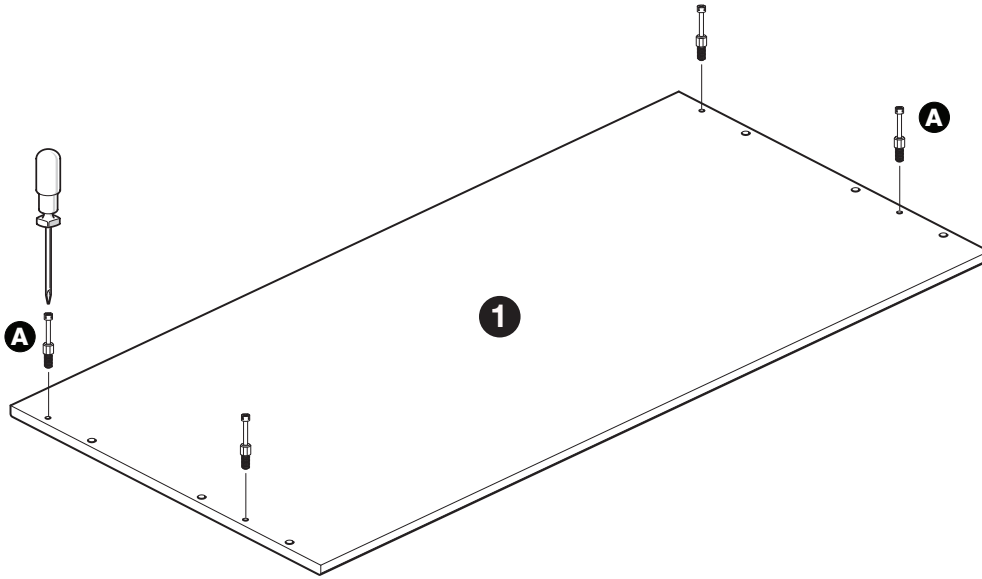
Parts checklist



Step by step assembly instructions

Step One

1. Attach 4x metal dowels (A) into the pre-drilled holes on top panel (1) as shown.
Use a screwdriver to turn fitting (A) clockwise to fix.
2. Attach 4x metal dowels (A) into the pre-drilled holes on bottom panel (3) as shown.
Use a screwdriver to turn fitting (A) clockwise to fix.

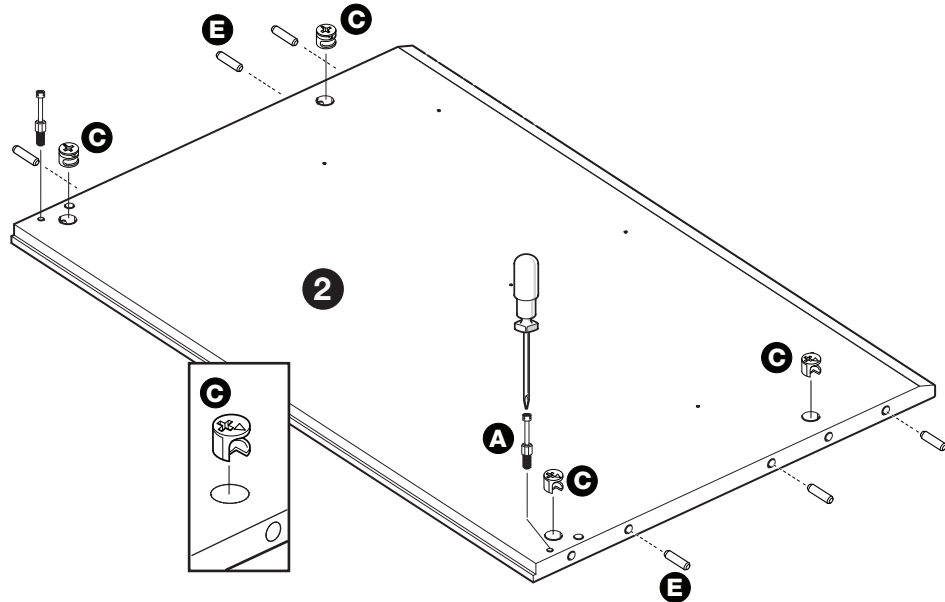


Step by step assembly instructions

Step Two

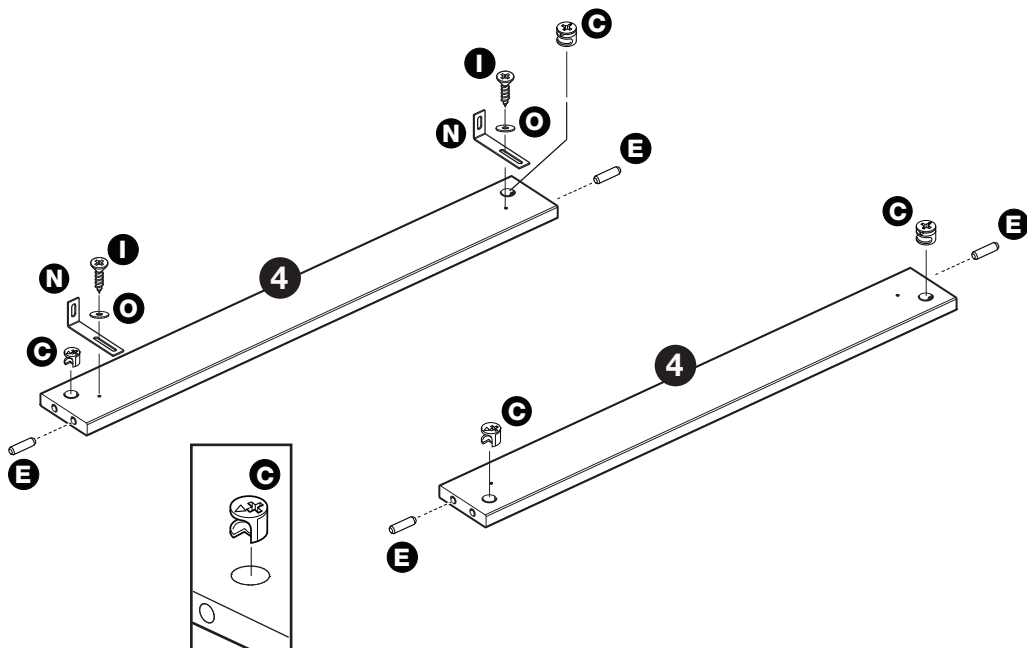
1. Attach 6x wooden dowels (E) into the pre-drilled holes as shown on side panel (2) as shown.
2. Place 4x cam lock (C) into the holes on side panels (2) as shown, arrow pointing towards the bolt. Attach 2x metal dowels (A) into the pre-drilled holes on side panel (2) as shown. Use a screwdriver to turn fitting (A) clockwise to fix.

Repeat for the other side panel



Step Three

1. Attach 4x wooden dowels (E) into the pre-drilled holes on rails (4) as shown.
2. Place 4x cam lock (C) into the holes on side panels (4) as shown, arrow pointing towards the bolt.
3. Fix the two bracket (N) loosely onto one rail (4) using screw (I) and spacer (O).

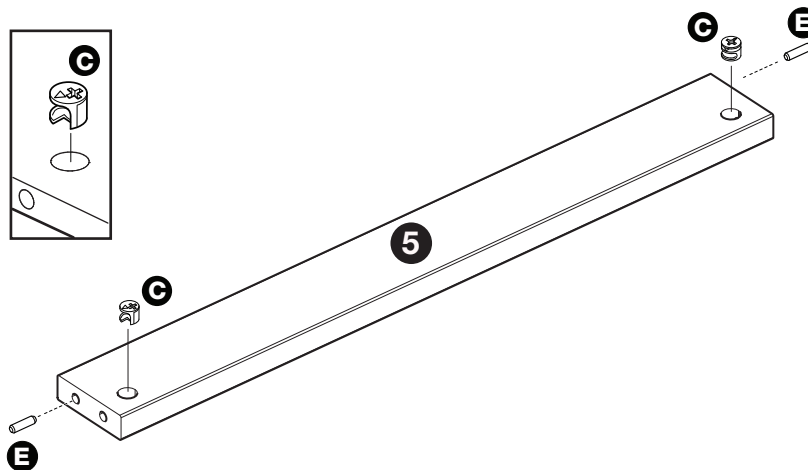


Step by step assembly instructions

Step Four

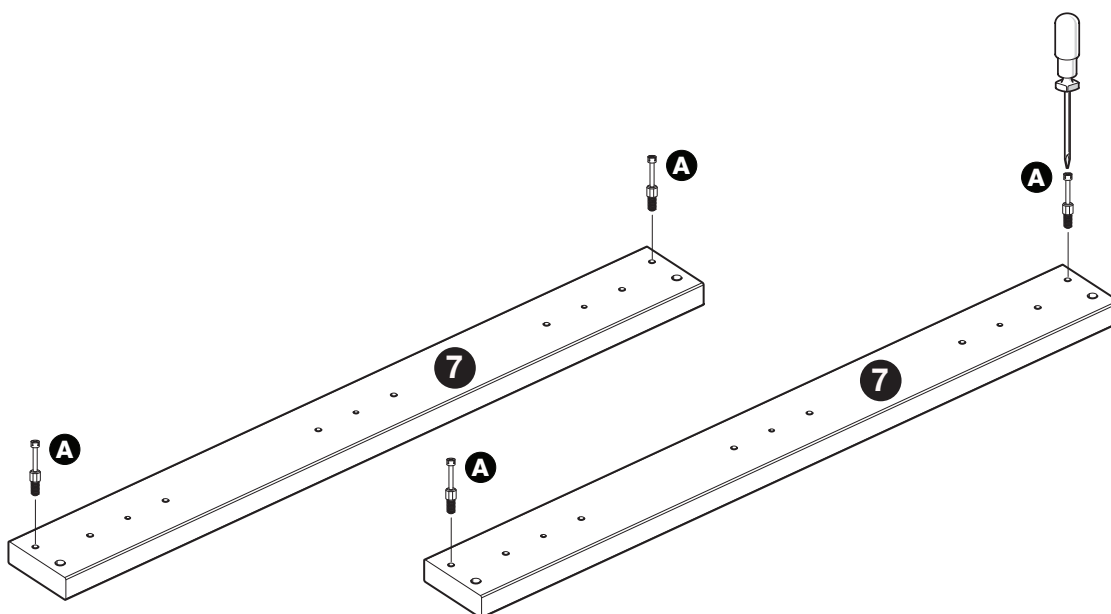
1. Attach 2x wooden dowels (E) into the pre-drilled holes on rail (5) as shown.
2. Place 2x cam lock (C) into the holes on side panels (5) as shown, arrow pointing towards the bolt.

Repeat for the other rail



Step Five

1. Attach 2x metal dowels (A) into the pre-drilled holes, in only two of four rail (7) as shown. Use a screwdriver to turn fitting (A) clockwise to fix.

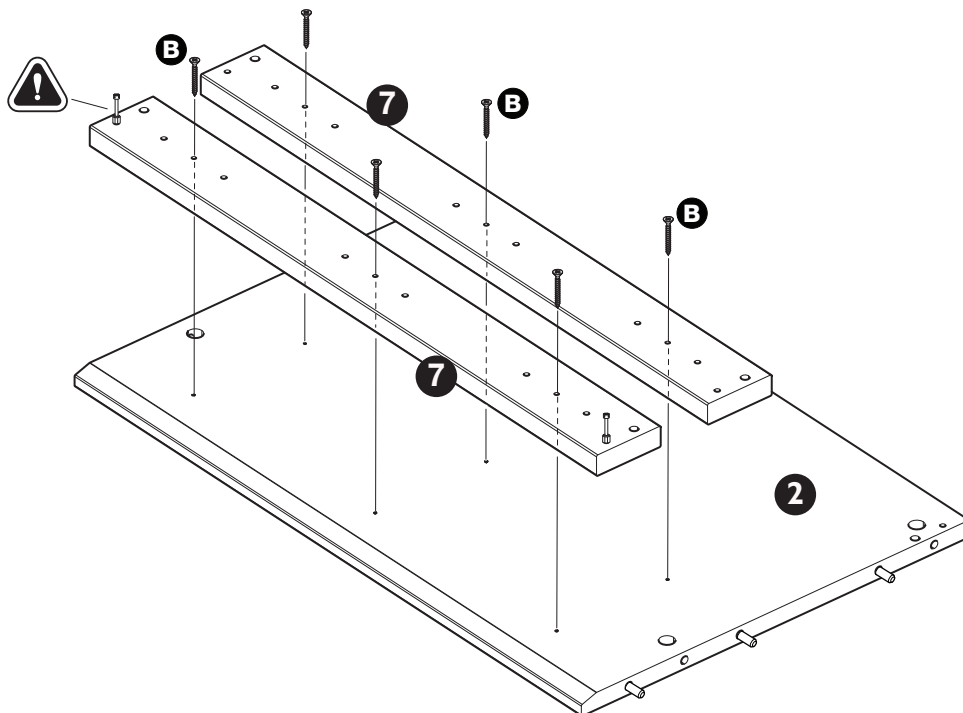


Step by step assembly instructions

Step Six

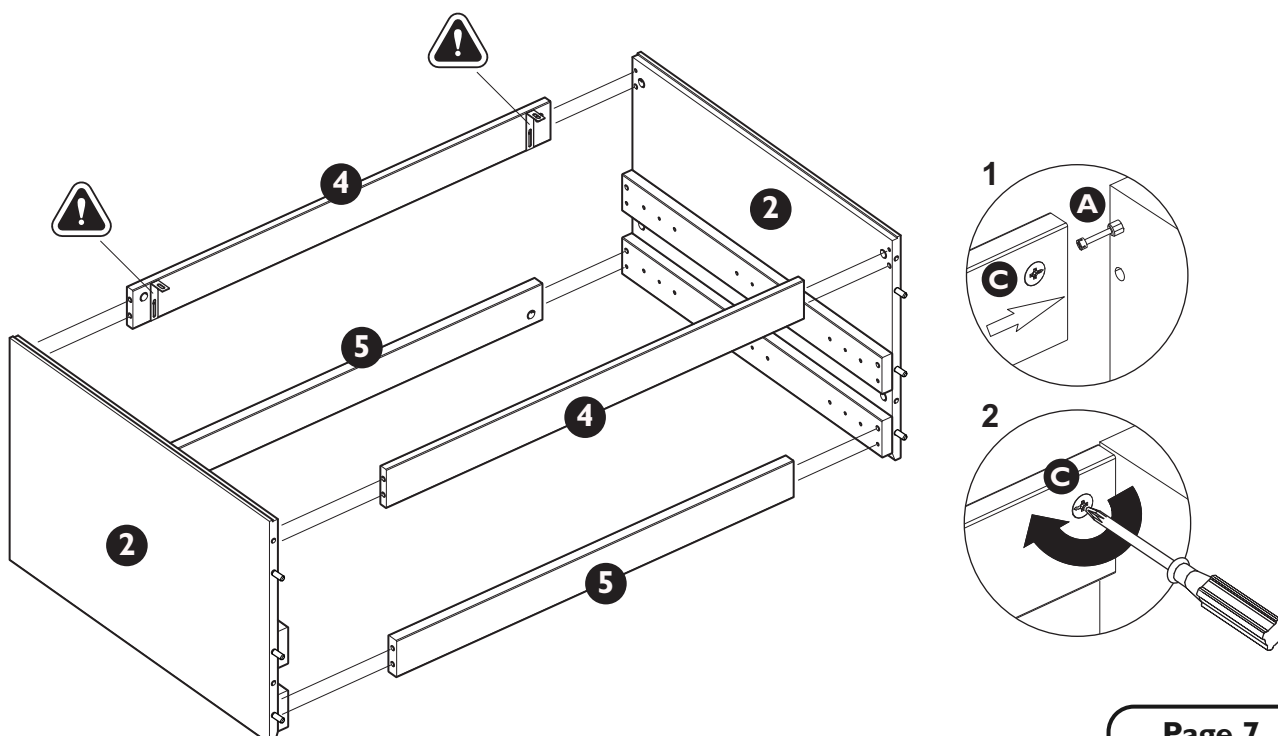
1. Fix two rails (7) onto side panel (2) using 6x screw (B). Pay attention to fix in the front part of side panel (2) the rail with the metal dowels fixed as show.

Repeat for the other side panel



Step Seven

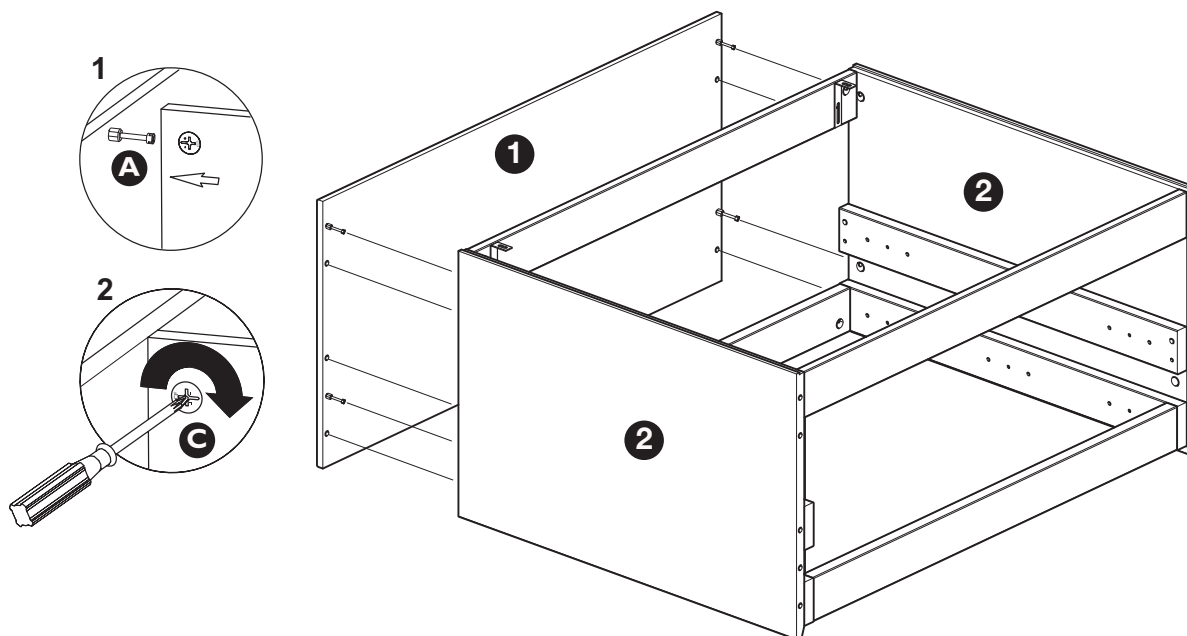
1. Attach rails (4) (5) onto side panels (2) as shown. Ensure metal dowels (A) and wooden dowels (E) are aligned correctly with the holes of matching parts before attaching. Pay attention to the correct position of rail (4) with the bracket (N) fixed. Secure rails (4) (5) to side panels (2) using a screwdriver to turn fitting (C) clockwise to fix.



Step by step assembly instructions

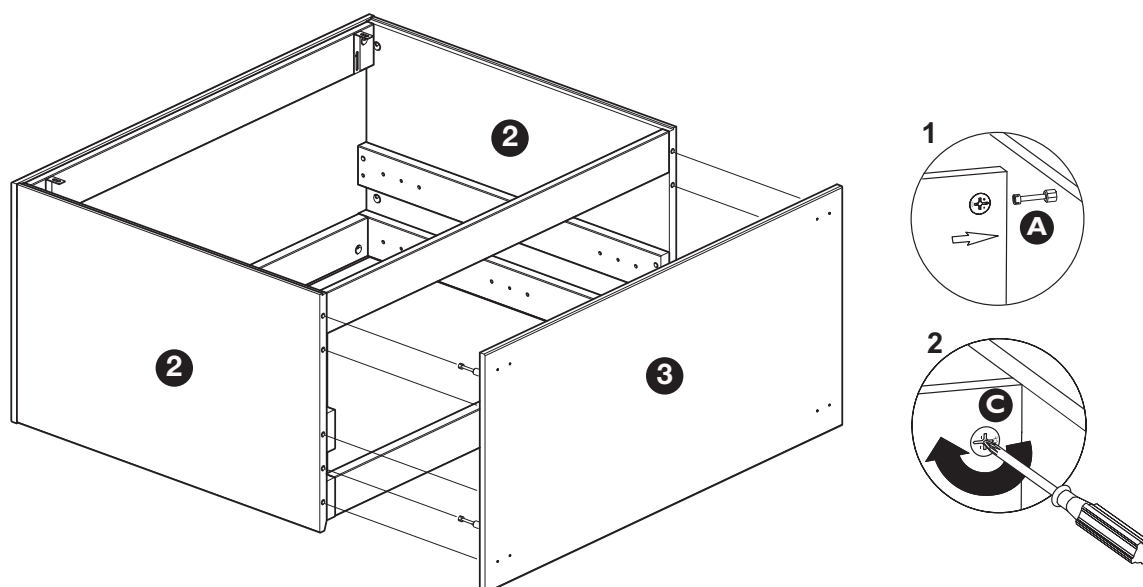
Step Eight

1. Attach top panel (1) onto side panels (2) as shown. Ensure metal dowels (A) and wooden dowels (E) are aligned correctly with the holes of matching parts before attaching.
2. Secure top panel (1) onto side panels (2) using a screwdriver to turn fitting (C) clockwise to fix.



Step Nine

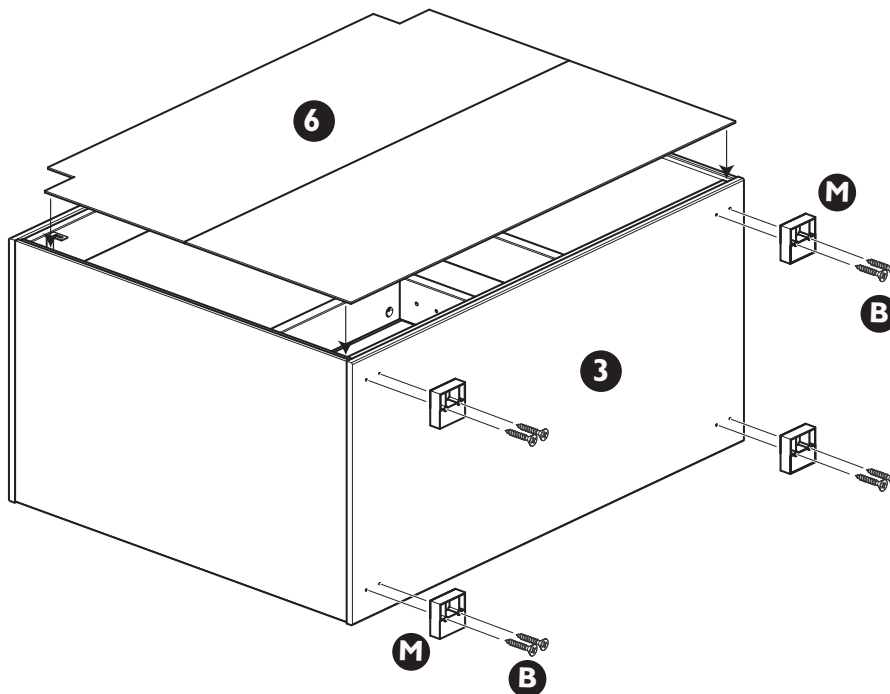
1. Attach bottom panel (3) onto side panels (2) as shown. Ensure metal dowels (A) and wooden dowels (E) are aligned correctly with the holes of matching parts before attaching.
2. Secure bottom panel (3) onto side panels (2) using a screwdriver to turn fitting (C) clockwise to fix.



Step by step assembly instructions

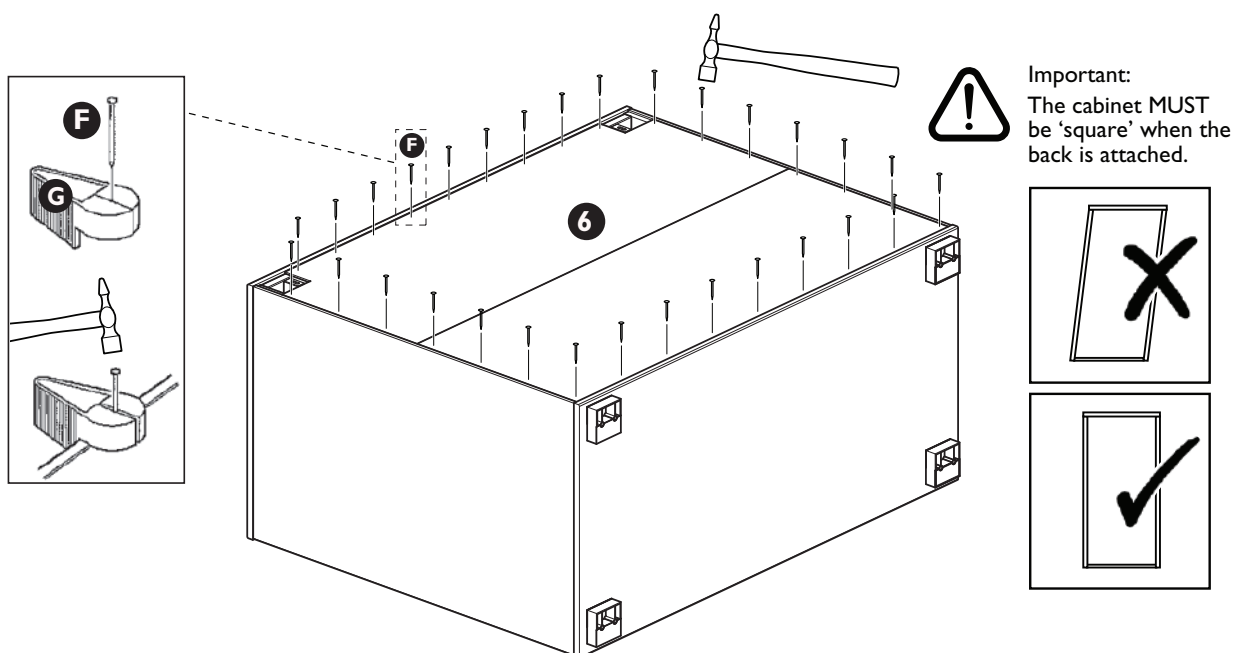
Step Ten

1. Position back panel (6) as shown
2. Attach 4x support foot (M) to bottom (3) with 8x screw(B).



Step Eleven

1. Attach back panel (6) onto back side of the unit using 30x nails (F), with the help of the nail guide (G).



Step by step assembly instructions

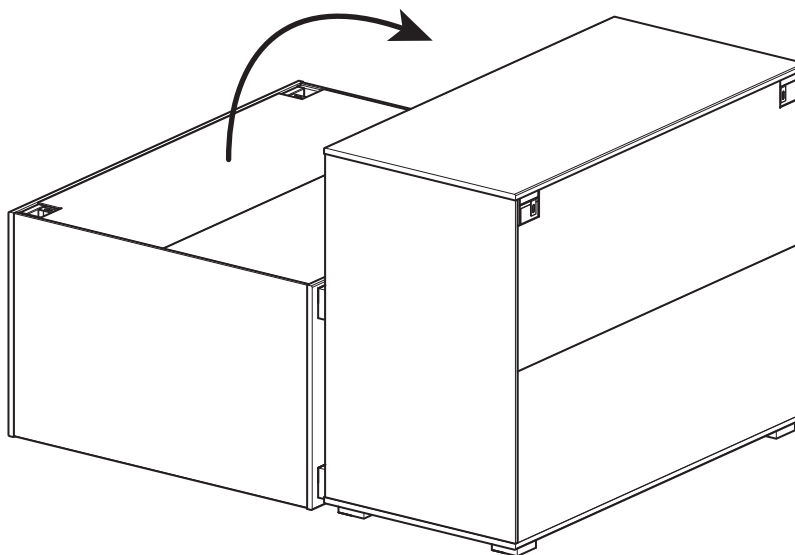
Step Twelve

1. With help of an assistant, carefully stand up the unit upright



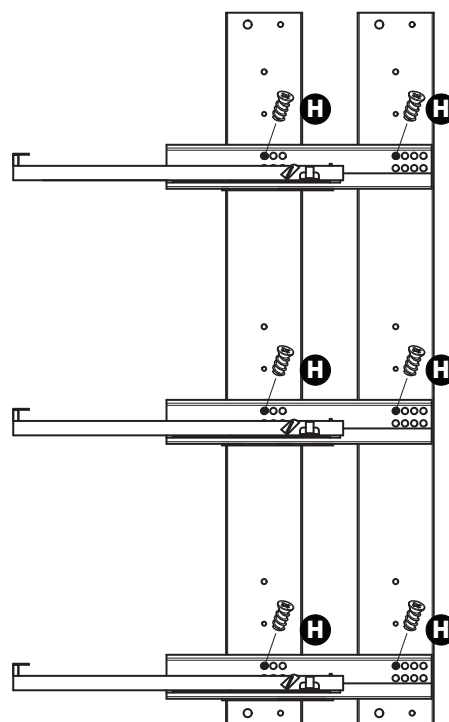
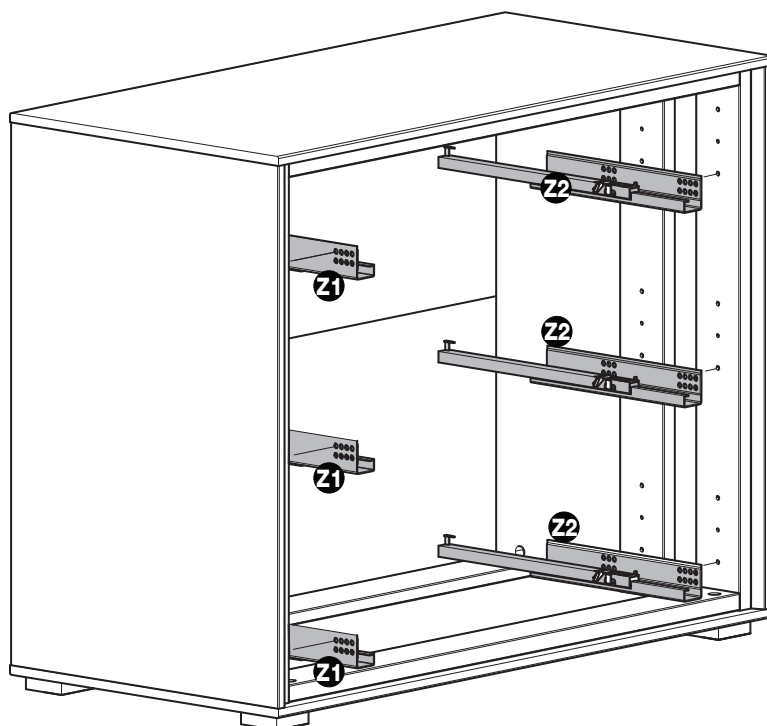
Important:

Two people are needed here



Step Thirteen

1. Fix runner parts (Z1) (Z2) through holes shown in the detail view using euroscrews (H).



Step by step assembly instructions

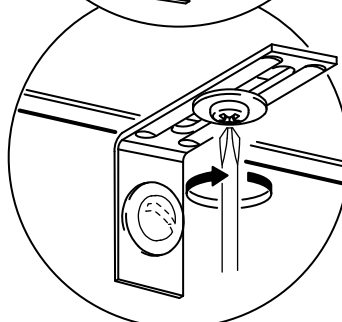
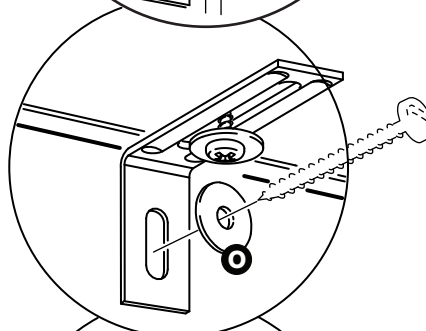
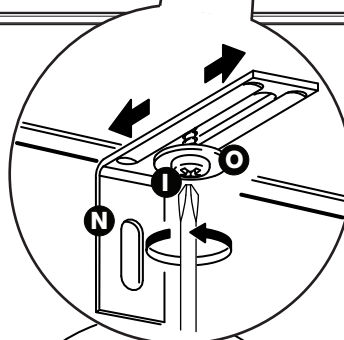
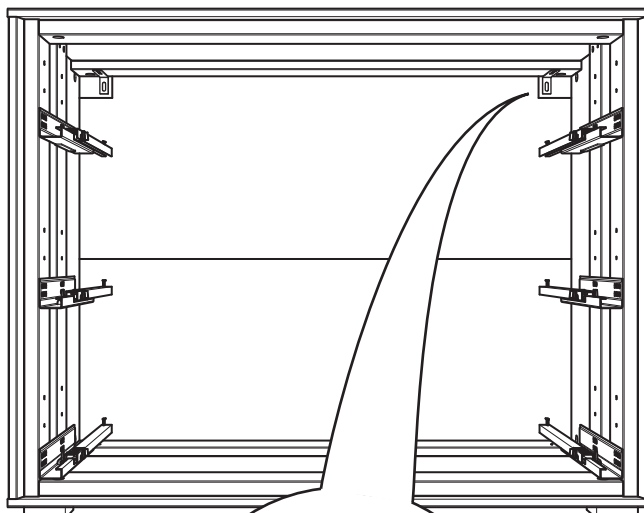
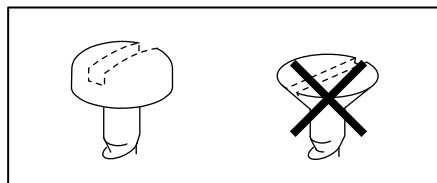
Step Fourteen

To prevent possible overbalancing we recommend that this unit is secured to a suitable wall by use "L" Bracket (N) fitted to the Top of the unit.

1. Loosen the screw (I) and fix "L" bracket (N) to the wall using spacer (O) and appropriate wall plug and screw (not included)

2. Tighten Screw (I)

See wall fixings guide at the end of booklet.



Important:

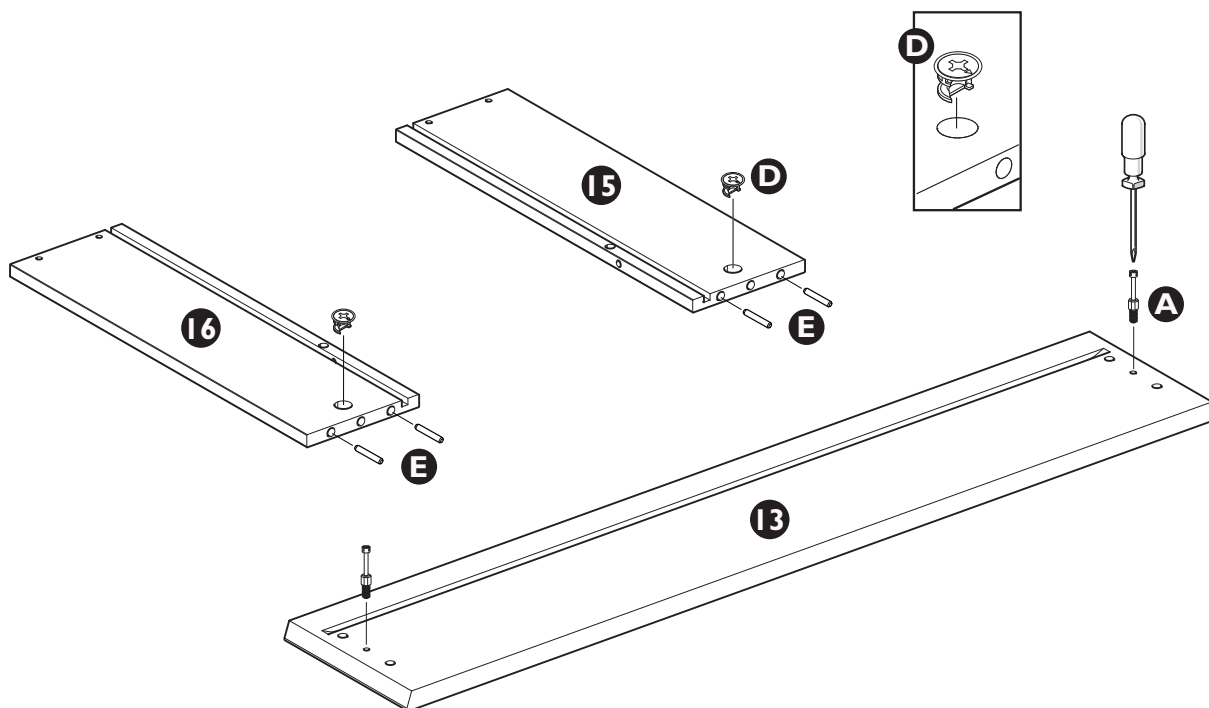
Take care when drilling the wall that you do not drill into any pipes, wires etc. If in doubt, consult an expert.

wall plug and screw not included.

Step by step assembly instructions

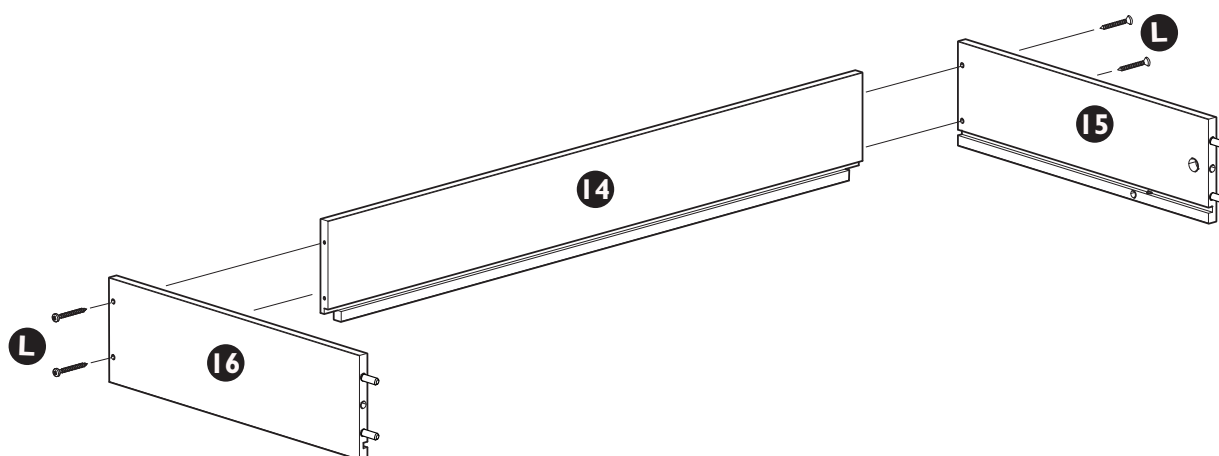
Step Fifteen

1. Attach 4x wooden dowels (E) into the pre-drilled holes on drawer sides (15) (16) as shown,
2. Place the cam lock (D) into the holes on drawer sides (15) (16) as shown, arrow pointing towards the bolt,
3. Attach 2x metal dowels (A) into the pre-drilled holes on drawer front (13). Use a screwdriver to turn fitting (A) clockwise to fix



Step Sixteen

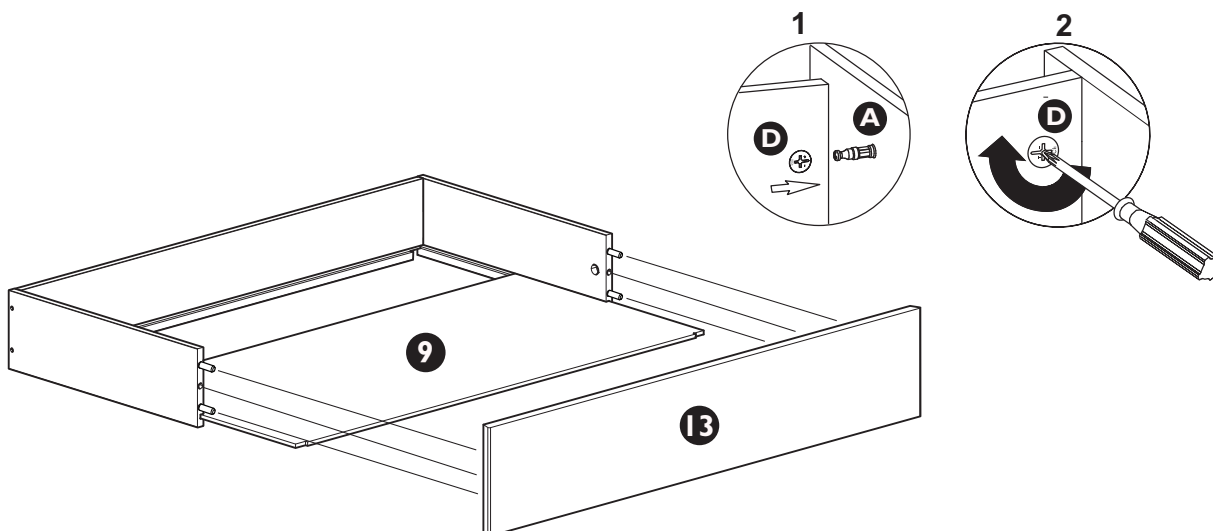
1. Fit the RH (15) and LH (16) drawer sides to the drawer back (14) using 30 mm screws (L),



Step by step assembly instructions

Step Seventeen

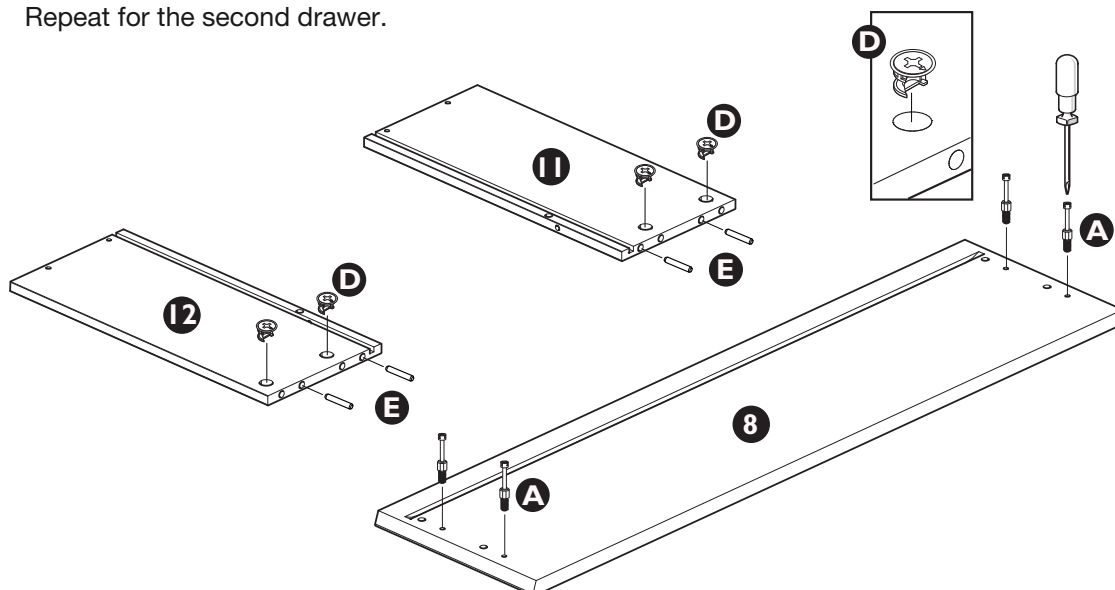
1. Slide drawer bottom panel (9) into the drawer box grooves.
2. Position drawer front (13) onto drawer box, turn locking nuts (D) clockwise to lock.



Step Eighteen

1. Attach 4x wooden dowels (E) into the pre-drilled holes on drawer sides (11) (12) as shown.
2. Place the cam lock (D) into the holes on drawer sides (11) (12) as shown arrow pointing towards the bolt,
3. Attach 4x metal dowels (A) into the pre-drilled holes on drawer front (8). Use a screwdriver to turn fitting (A) clockwise to fix.

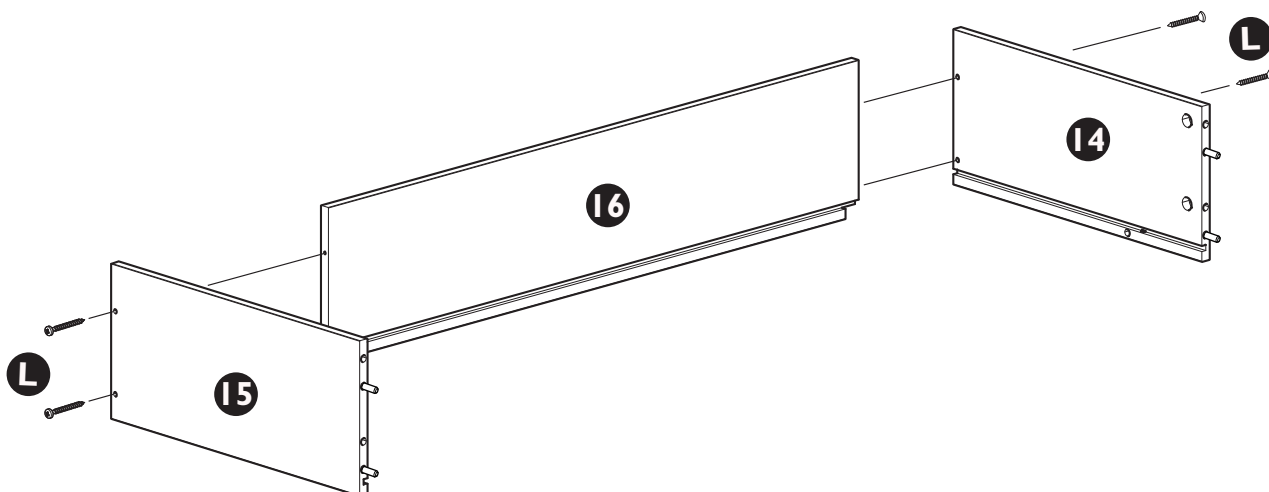
Repeat for the second drawer.



Step by step assembly instructions

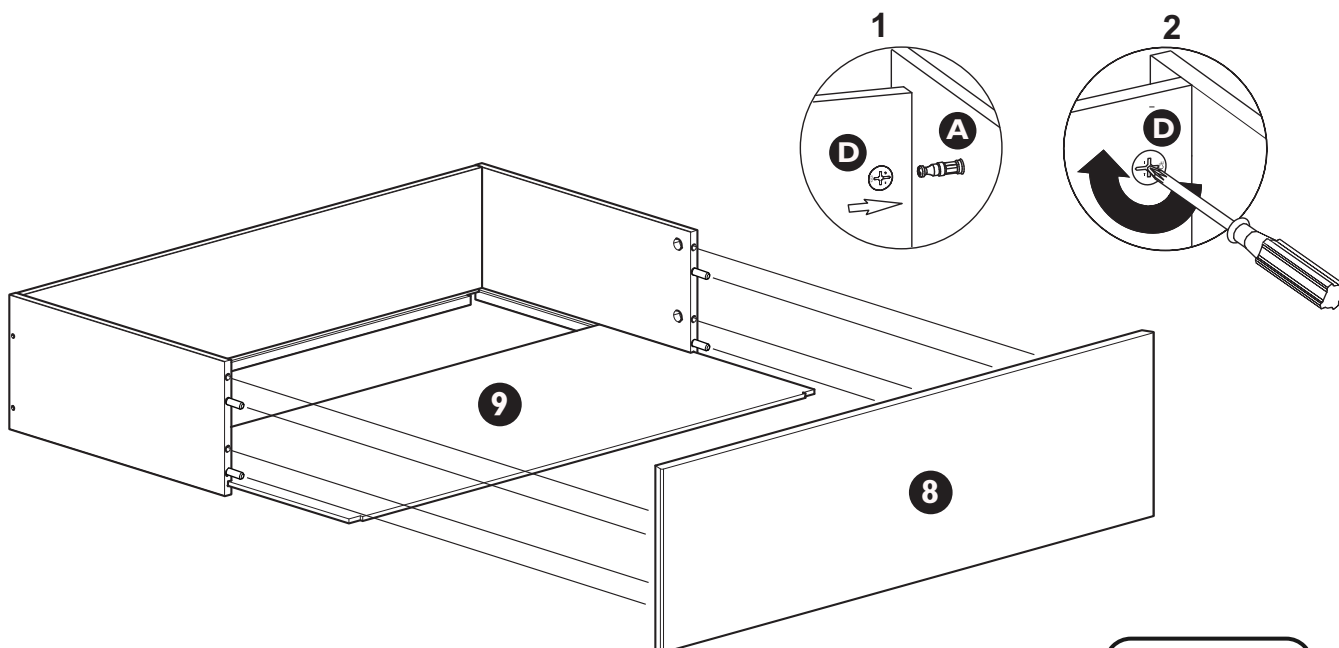
Step Nineteen

1. Fit the RH (14) and LH (15) drawer sides to the drawer back (16) using 30 mm screws (L),
Repeat for the second drawer.



Step Twenty

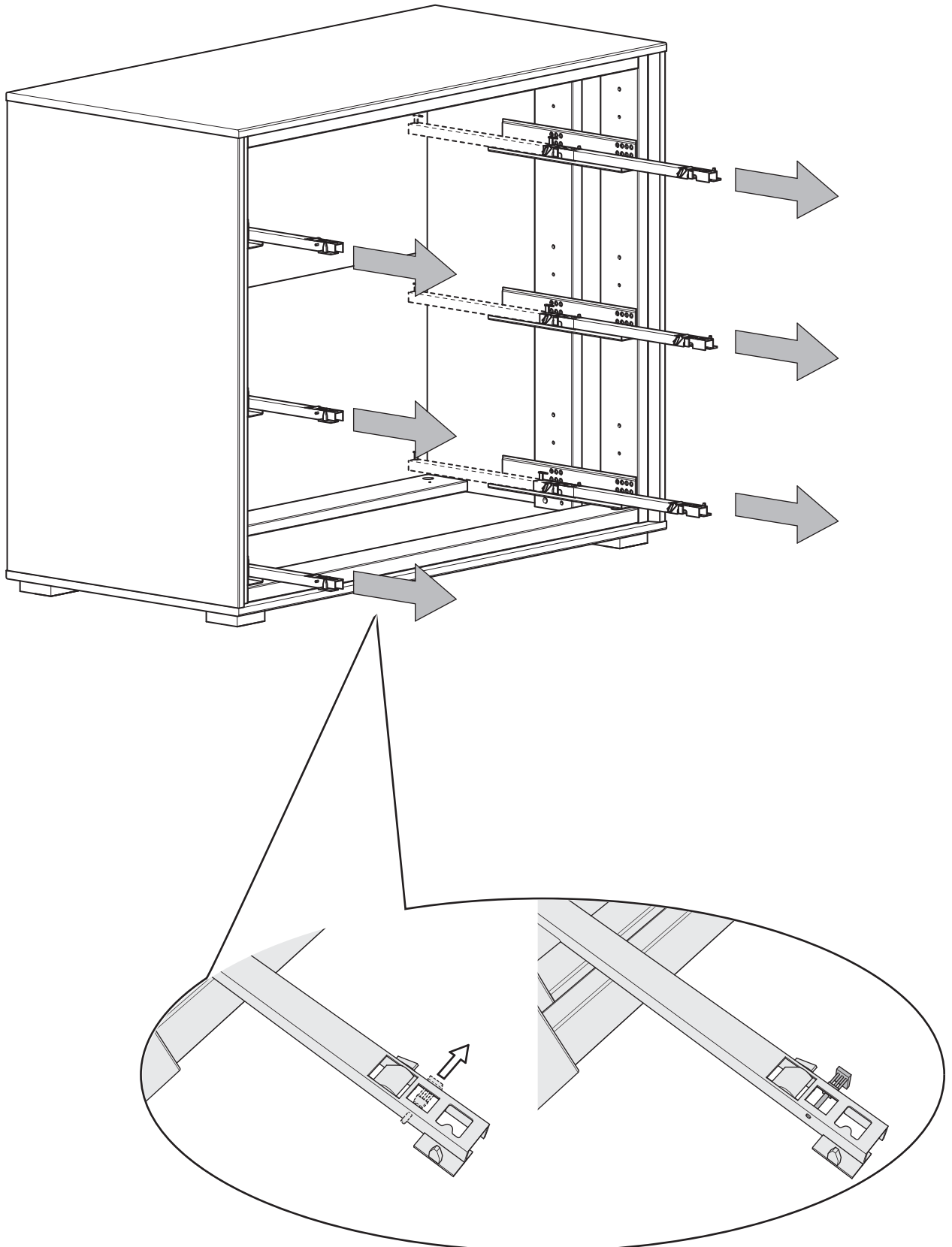
1. Slide drawer bottom panel (9) into the drawer box grooves,
Position drawer front (8) onto drawer box, turn locking nuts (D) clockwise to lock.
Repeat for the second drawer.



Step by step assembly instructions

Step Twenty-one

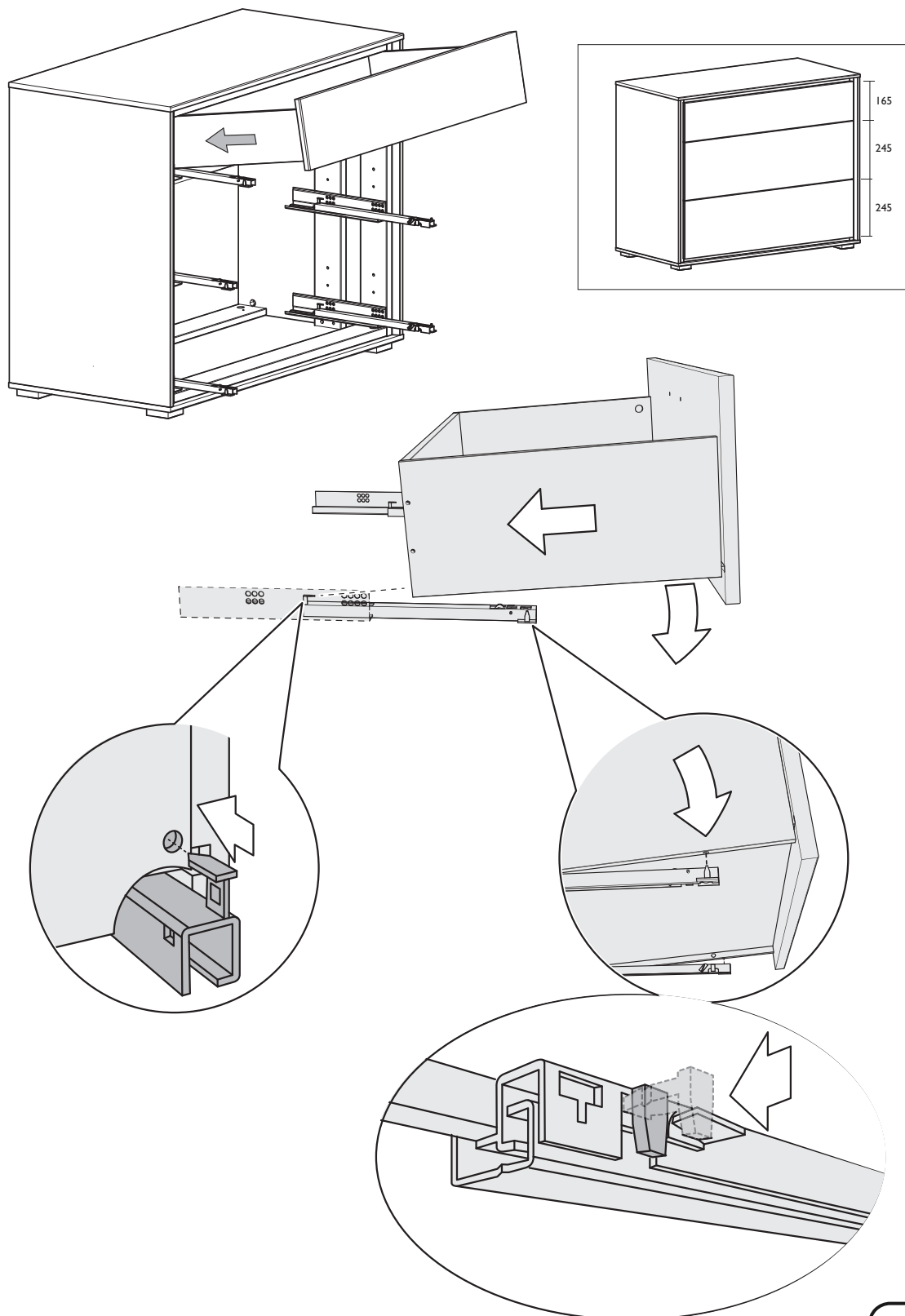
1. Pull out the runners, then ensure plastic securing pegs are to the OUT position.



Step by step assembly instructions

Step Twenty-two

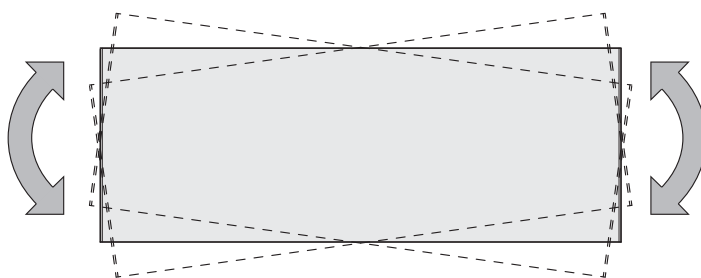
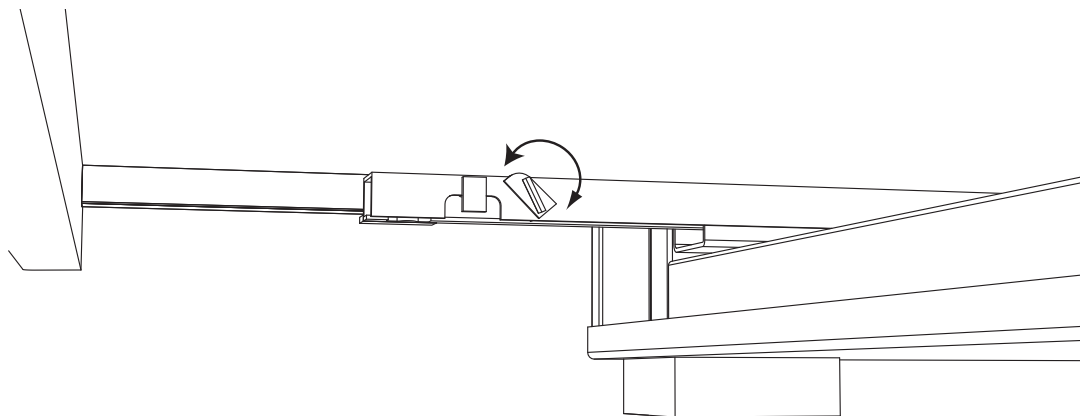
1. Slide the drawer box tilted until the stop.
2. Attach the drawer box leaning on the runners.
3. Push the plastic securing pegs in the IN position



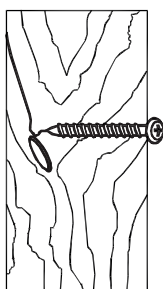
Step by step assembly instructions

Step Twenty-three

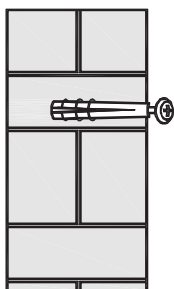
1. Use the small plastic knob of the runners to align the drawers if needed.



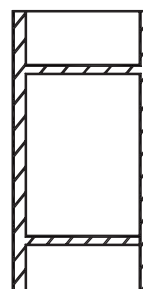
Wall fixing - if in doubt seek professional advice



Wood
If fixing to wood make sure that it isn't chipboard as screws can easily pull away from the core structure



Brick or Masonry
Use an appropriate wall plug provided you are sure your wall is sound.



Cavity wall
Special toggle wall plugs are needed. Seek expert advice.

Care and Maintenance

This product has been manufactured using modern manufacturing methods and materials.

To keep your product, looking at its best, we strongly recommend either dusting with a soft cloth, or the use of a damp (not wet) cloth and water containing no more than a 5% soap solution. Dry with a soft clean cloth.

Aggressive chemicals, such as wax furniture polish, abrasive cleaners, bleach or hypochlorate (chlorine) based cleaners, multi purpose cleaners, dilutes, acetone, alcohol and solvent based liquid product should NOT be used, as may result in damage.

Safety Instructions

Never drag furniture when moving it, always lift it.

Periodically check all fixings to ensure none have come loose and re-tighten when necessary.

Please take care when handling or moving the furniture as careless handling may cause damage or injury.

Furniture can be dangerous if incorrectly installed. Assembly should be carried out by a competent person. No liability will be accepted for damage or injury caused by incorrectly installed or assembled furniture.

It is recommended that before moving a heavy object to a new location it is completely dis-assembled to avoid personal injury or damage to the furniture. Please be careful to retain all fittings when doing this.

This product is designed to be fixed securely to a sound wall in the manner stated.

It must under no circumstances be used free-standing. No liability will be accepted for damage or injury caused by inadequate fixing or use without fixing.

PLEASE KEEP THESE INSTRUCTIONS FOR FUTURE REFERENCE

John Lewis Partnership 171 Victoria Street London SW1E 5NN

www.johnlewis.com