

# ercol

## Shalstone dressing table

Stock numbers 80311508

Thank you for purchasing this Shalstone dressing table. Please read the instructions carefully before use to ensure safe and satisfactory operation of this product



This item is **HEAVY**



**Necessary Tools**



### Pre-assembly preparation

Please ensure instructions are read in full before attempting to assemble this product.







Please check the pack contents before attempting to assemble this product. A full checklist of components is given in this leaflet. If any components are missing, please contact the retailer from whom you bought this product.

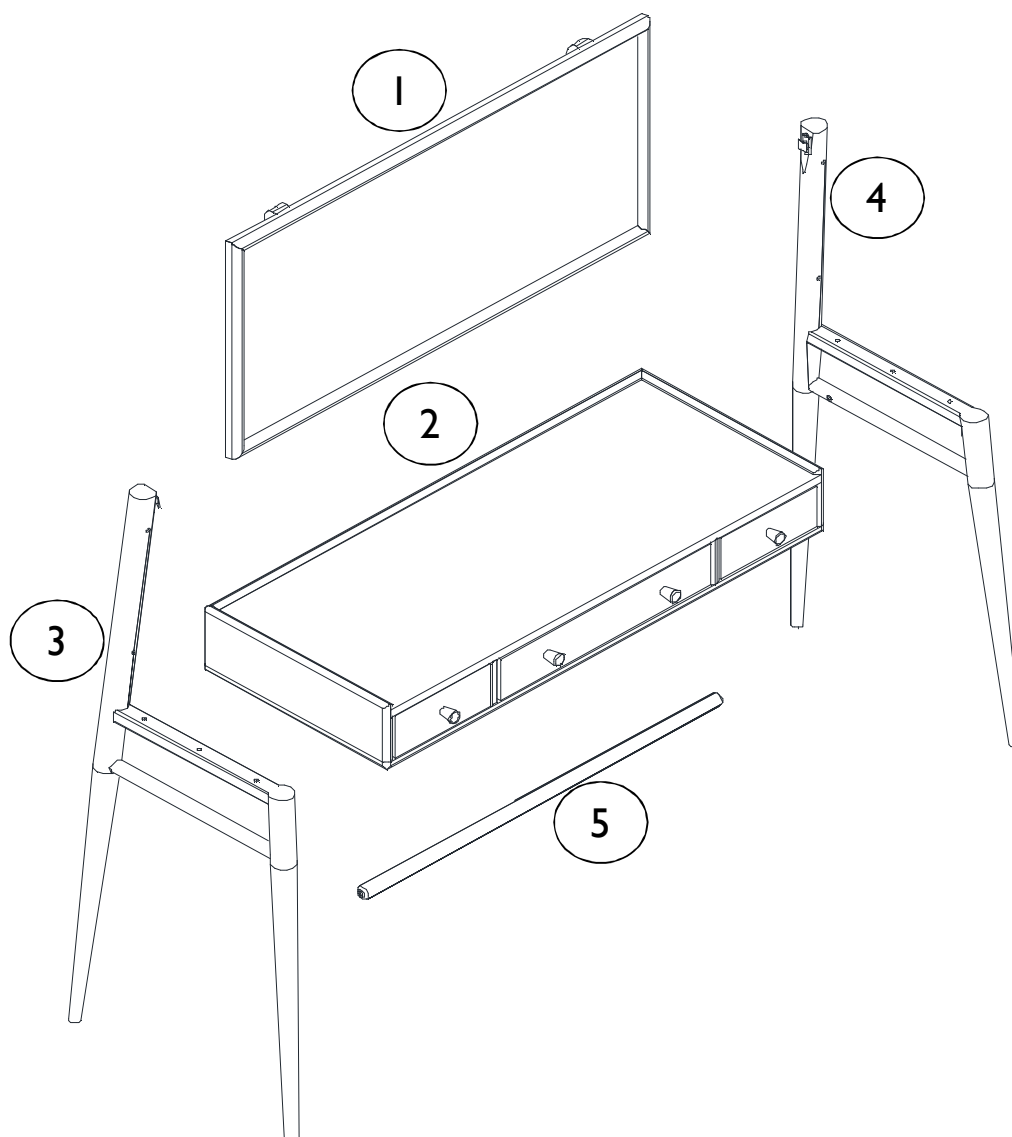
This product is **HEAVY**, it should be assembled as near as possible to the point of use. **TAKE CARE WHEN LIFTING** to avoid personal injury and (or) damage to the product.

This product is product takes approximately **20 MINUTES** TO assemble with **2 PEOPLE**.

The fittings pack contains **SMALL ITEMS** which should be **KEPT AWAY FROM YOUNG CHILDREN**.

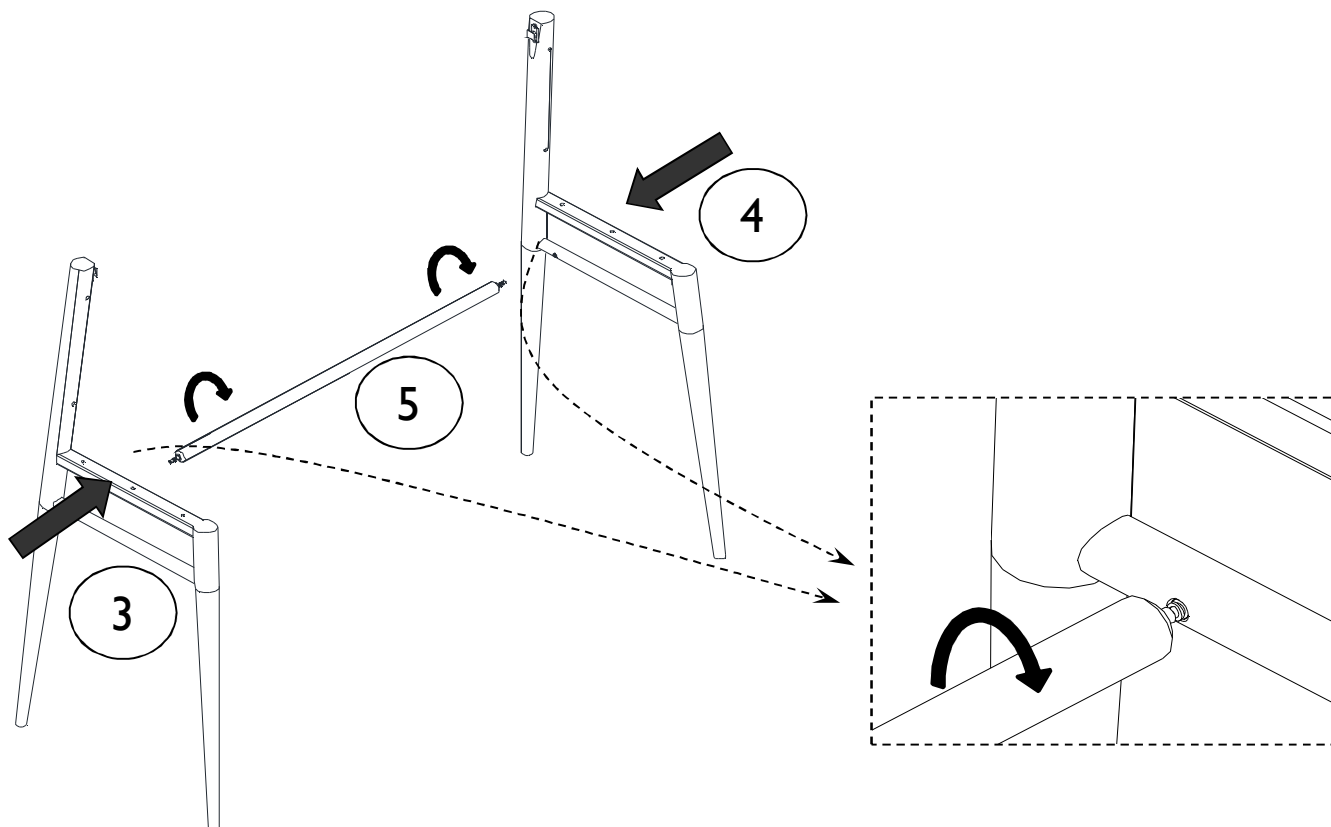
## Fittings and parts checklist

1	Mirror Frame x 1	B	Allen head bolt yellow (M6.60) x 2	
2	Carcass x 1	C	Allen Key (4) x 1	
3	L/H End Frame x 1	D	Screw (3,5mm x 16mm) x 1	
4	R/H End Frame x 1	E	Textile Strap ( 15 cm ) x 1	
5	Stretcher Rail x 1	F	Wedges x 2	
A	Allen head bolt yellow (M6.35) x 6 	G	Adjustable buffer x 2	

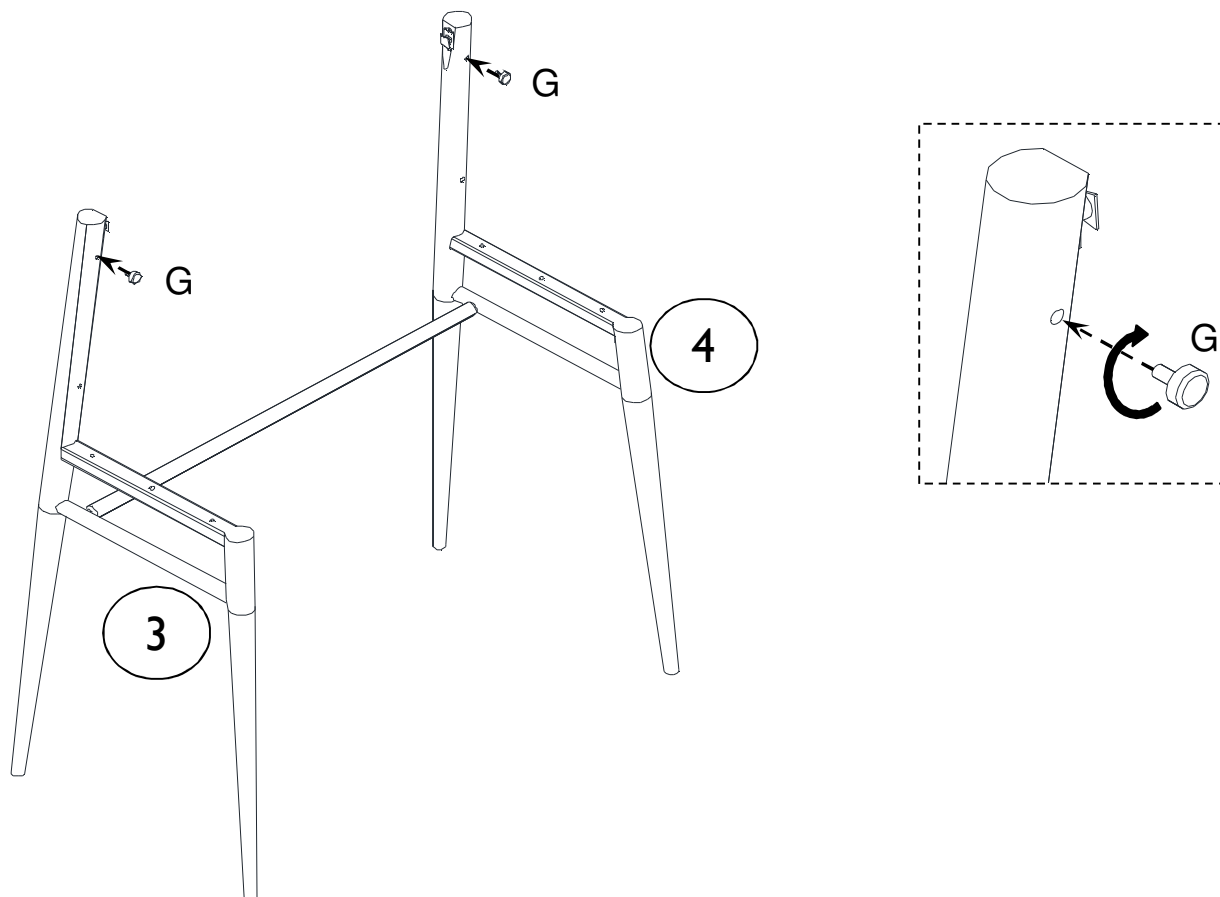


# Step by step assembly instructions

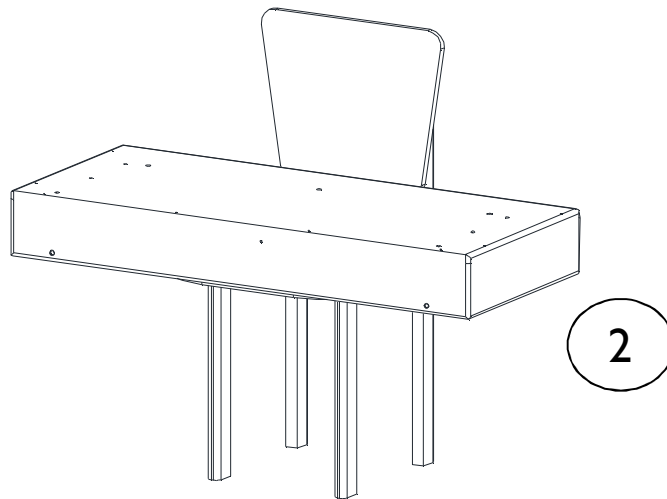
1. With the aid of an assistant, carefully locate stretcher rail between the legs, then turn clockwise direction to fix them as shown. Make sure that stretcher rail screws are colour-matched with metal inserts on legs and it is important that screws are inserted simultaneously. ( Do not tighten stretcher rail at first, to have enough flexibility to attach legs to the carcass on step 4 )



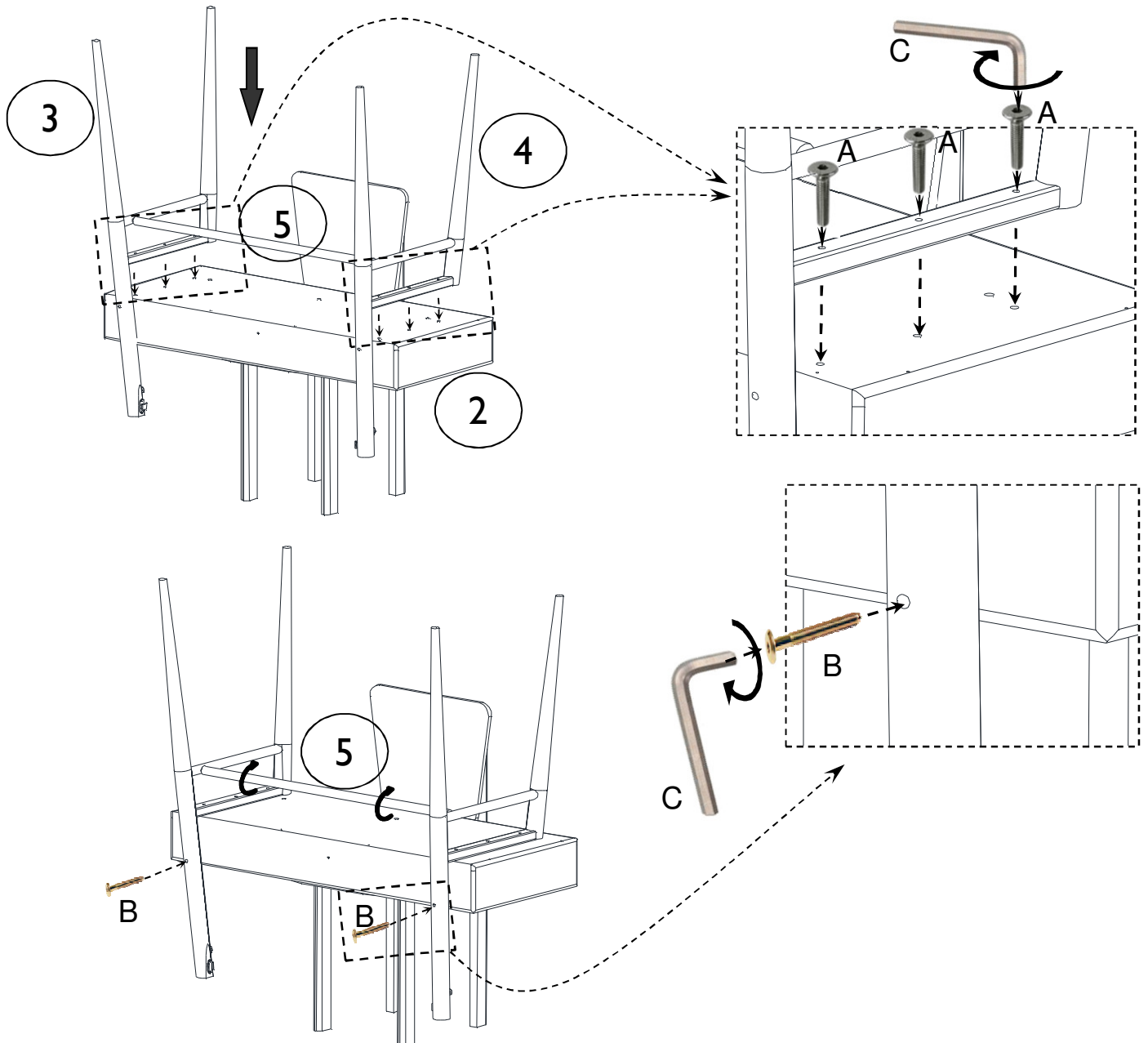
2. Attach the adjustable buffers on both legs.



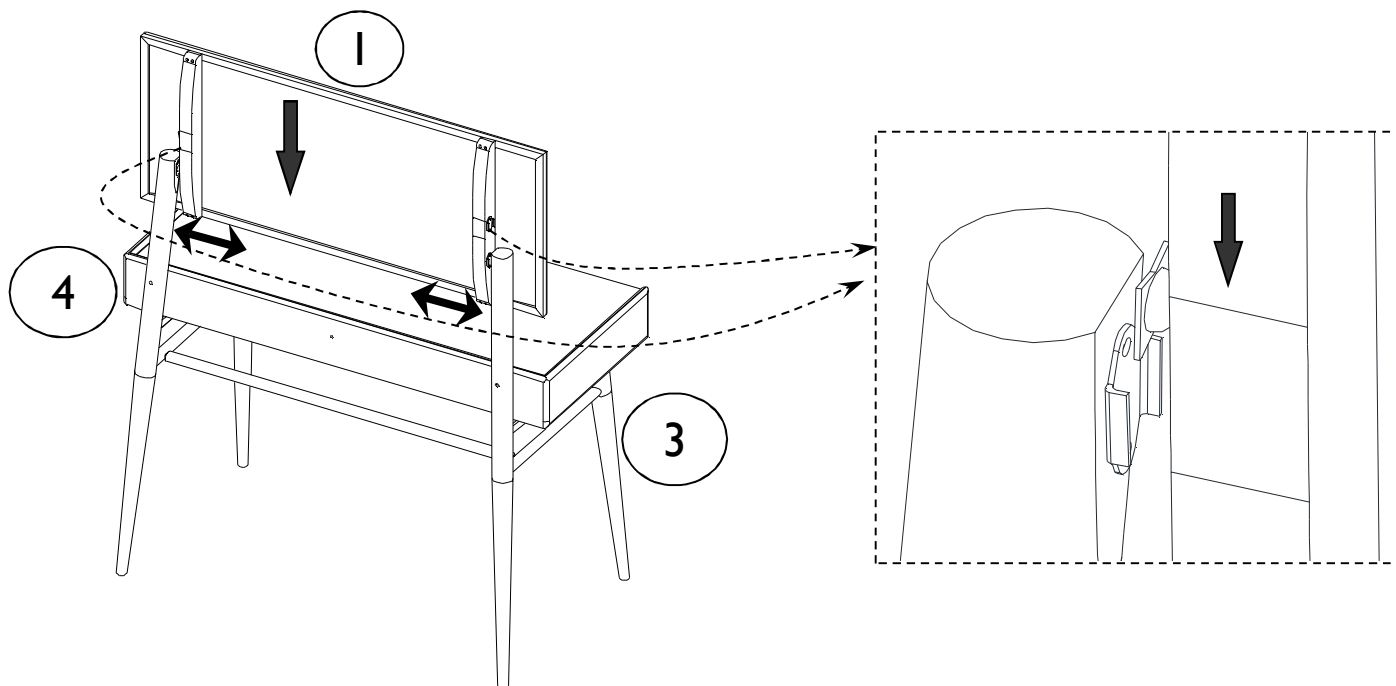
3. With the aid of an assistant, carefully turn the carcass upside-down on an appropriate surface as shown.



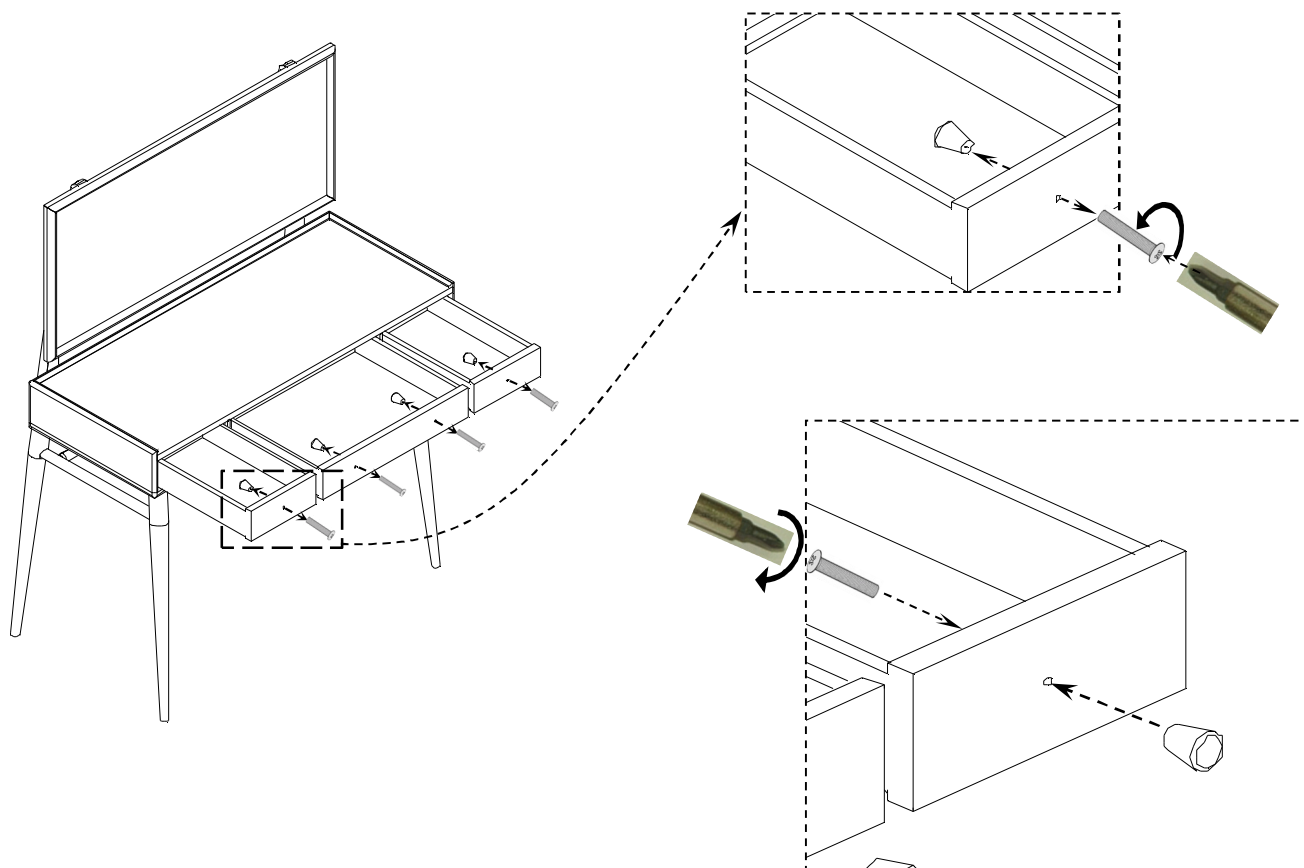
4. With the aid of an assistant carefully locate legs on carcass as shown. First screw 6x Allen head bolts by using Allen key provided. Then screw 2x Allen head bolts from back of the carcass as shown. Finally tighten stretcher rail by hand.



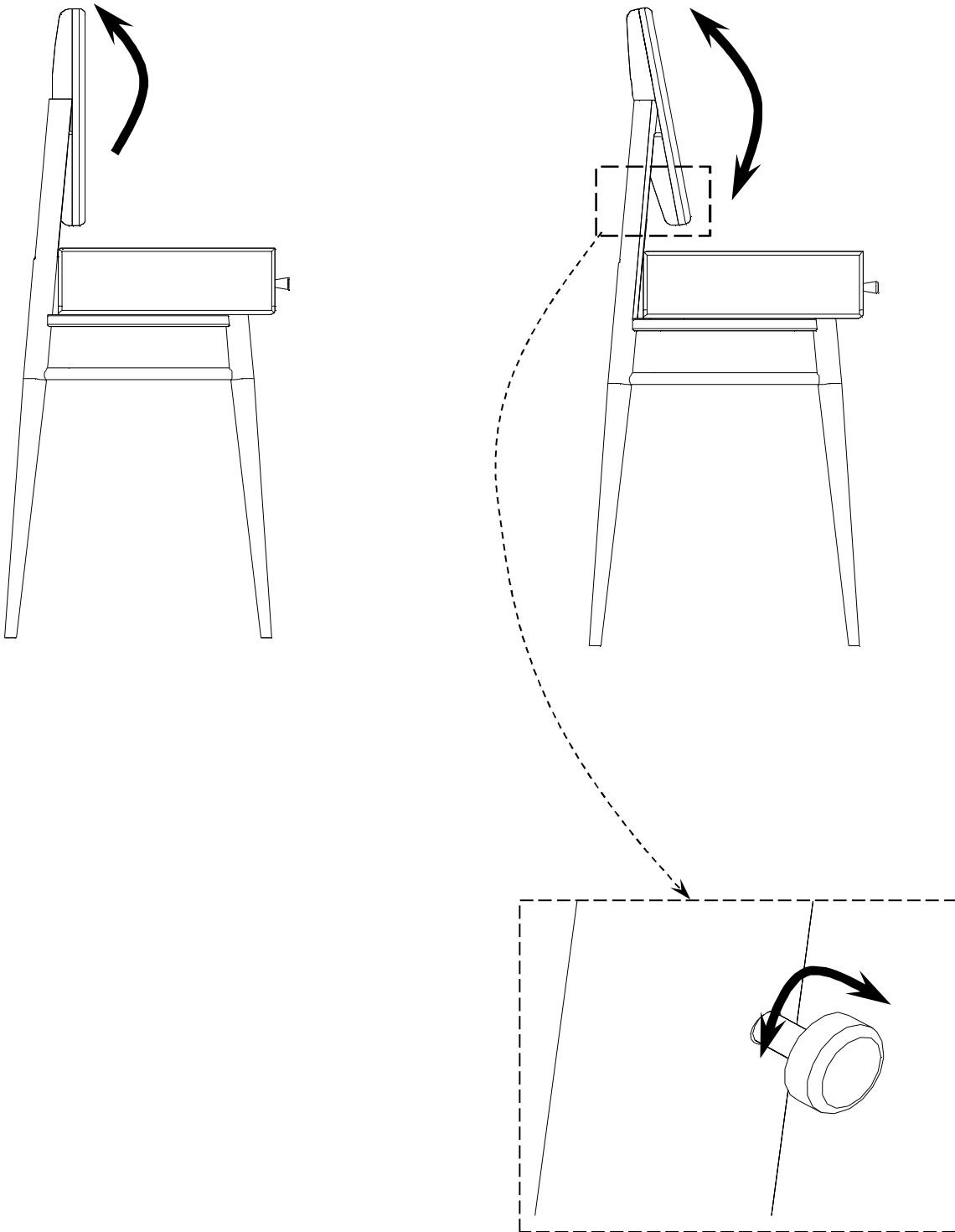
5. With the aid of an assistant carefully turn the carcass on its feet and position it in its final place. Then locate mirror frame on mirror assembly slots as shown. Note that legs have flexibility tolerance and you may be able to adjust the distance of slots by pushing the legs inwards or pulling them outwards to fit to the mirror frame slots as shown.



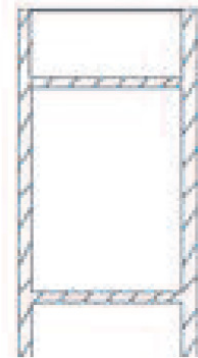
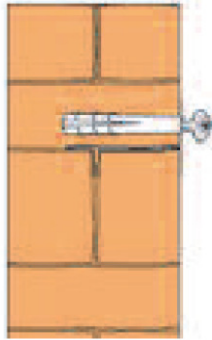
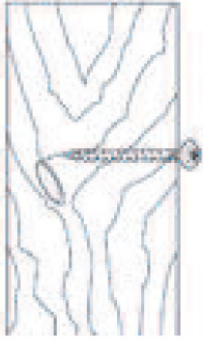
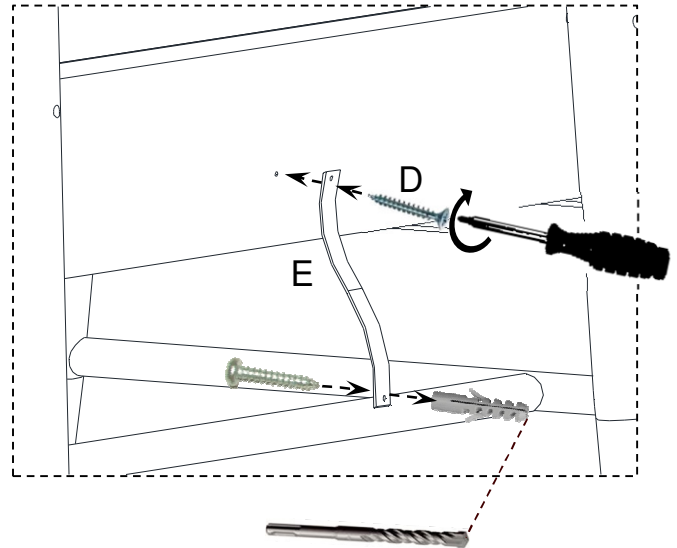
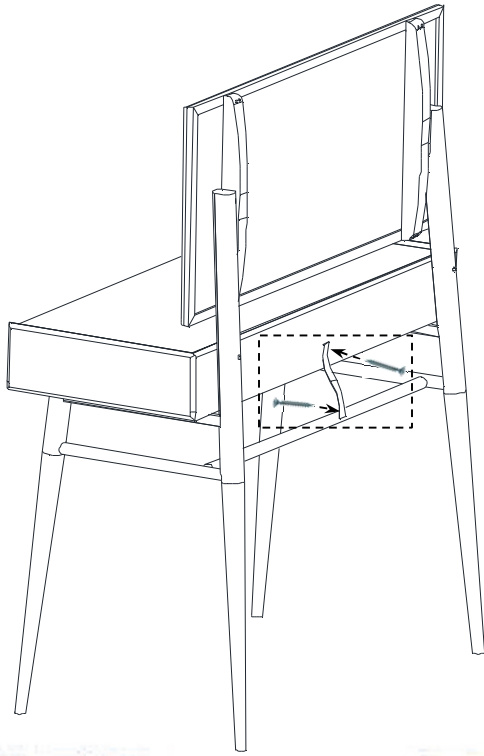
6. Unscrew the screws of 4x handles from back of the drawer front, then attach them to the front of the drawer front with same screws by using screwdriver as shown.



7. Use the adjustable buffers to tilt mirror in the back and front direction. The more these are screwed out the more tilted the mirror will be. Assembly is now complete.



## Wall fixing - if in doubt seek professional advice



### Wood

If fixing to wood make sure that it isn't chipboard as screws can easily pull away from the core structure

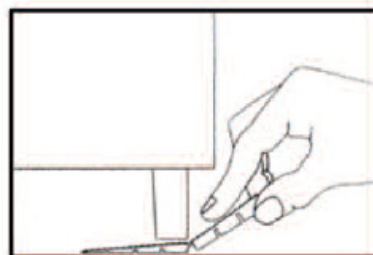
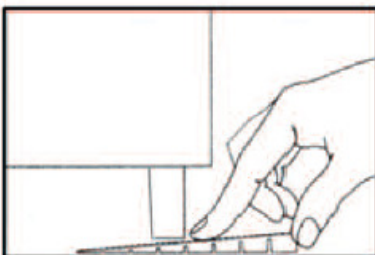
### Brick or Masonry

Use an appropriate wall plug provided you are sure your wall is sound

### Cavity wall

Special toggle wall plugs are needed. Seek expert advice

1. Screw the textile strap on to the back of the item at centre point using pilot hole and short screw provided. Position the item against the wall where you want it to go
2. Attach the textile straps **using screws suitable for your type of wall**, see **Wall fixings** above.
3. If the cabinet is not level on your floor use the wedges provided, and snap them off so that they do not protrude out from the cabinet's legs, you can also snap them lengthways if desired.



---

## Care and Maintenance

---

### Wood Furniture

Wood displays different grain patterns depending on which way it is cut - for example, the 'medullary ray' which can appear on oak furniture is a mark of good quality timber - these are just characteristics of the natural beauty of wood. Some furniture is also deliberately aged and rustic.

All timber surfaces will change colour and mellow over time. New furniture will initially vary in shade from items that have been previously purchased.

### How to care for your wood furniture

Furniture with a hard lacquer, wax polish or painted surface should be dusted with a dry cloth. When using the surface for serving food and drinks it is best to use protective mats and coasters. Spillages should be wiped up as soon as possible.

Spray polishes are best avoided as they contain silicones which may spoil the furniture's surface by building up over time. Use of cleaning materials containing abrasive compounds, acidic or caustic reagents and any bleaches containing oxidising reagents should be avoided as prolonged use may damage the lacquer surface. Wipe up spills immediately. If sticky marks occur on the surface they can be removed with a dilute solution of warm soapy water. The offending area should be rubbed lightly and then completely dried immediately afterwards, before replacing any mats etc.

Our furniture will endure most temperatures in the home but it is best to avoid placing furniture next to heat sources such as radiators or fires. Be particularly careful with solid wood as the lack of humidity caused by central heating can cause damage such as warping.

### Safety Instructions

Never drag furniture when moving it, always lift it. Please take care when handling or moving the furniture as careless handling may cause damage or injury. No liability will be accepted for damage or injury caused by incorrectly installed furniture.

**PLEASE KEEP THESE INSTRUCTIONS FOR FUTURE REFERENCE**

Ercol Furniture Ltd, Summerleys Road, Princes Risborough, Buckinghamshire. HP27 9PX [www.ercol.com](http://www.ercol.com)