

John Lewis

User manual
Venus
Semi-flush

Recommended bulb:

3 x 2.5-6W G9 energy efficient LED capsule bulb
or
3 x 28W G9eco halogen capsule bulb
Bulbs not included

Specifications:

Max. power: 33W
Voltage: 220~240V, 50/60Hz
IP rating:20
Weight:2.2kg



Please retain these instructions for future reference.

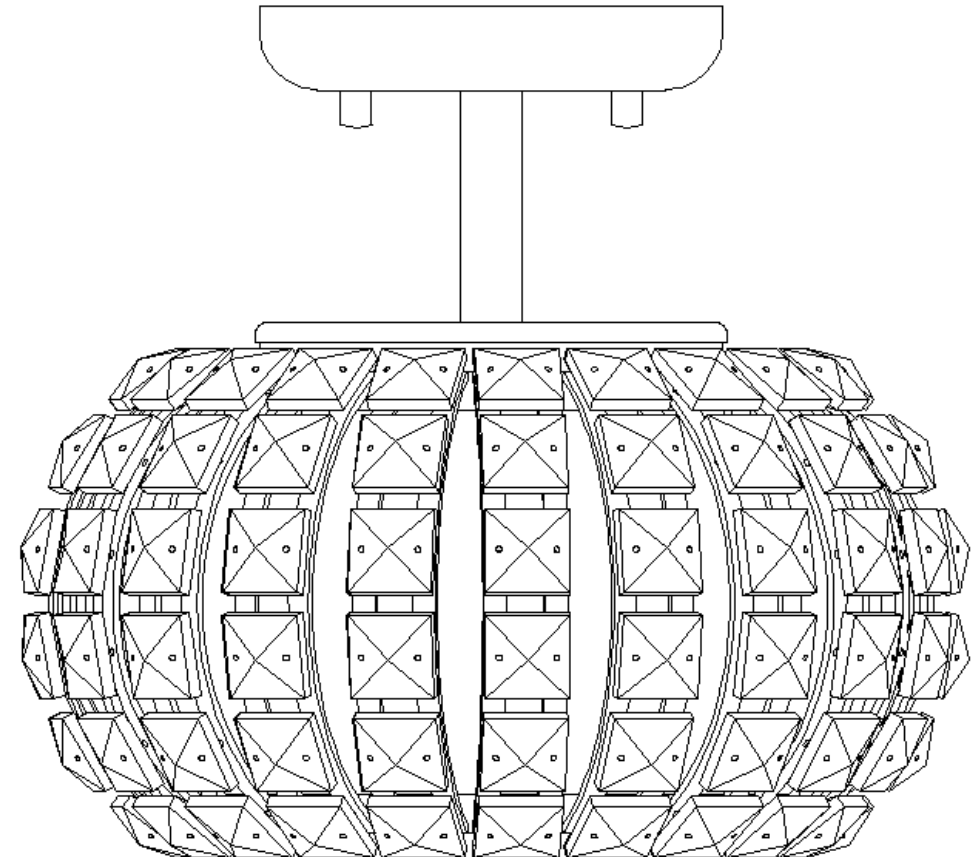
This symbol  indicates that this product should not be treated as normal household waste and it should be recycled. John Lewis do not operate instore take back, but as members of the Distributor Take Back scheme have funded the development and upgrade of recycling facilities across the UK. Please take it to your nearest collection facility or for further details contact your local council or visit www.recycle-more.co.uk.

We have taken great care to ensure that this product reaches you in perfect condition. However, should any parts be damaged or missing please e-mail lightingparts@JLPspares.co.uk.

Trouble Shooting:

Why is the light not working when switched on?

Check your power supply is switched on



John Lewis Partnership
171 Victoria Street
London SW1E 5NN
johnlewis.com

Made in China

Thank you for purchasing this Venus semi-flush ceiling light.
Please read the instructions carefully before use to ensure safe and satisfactory operation of this product. Please keep these instructions for future reference.

Warnings!

This fitting should be fitted in accordance with IEE Regulations and the Building Regulations. If in any doubt, or where required by law, consult a competent person who is registered with an electrical self-certification scheme. Further information is available online or from your Local Authority.

To prevent electric shock switch off at the mains supply before installing or maintaining this fitting. Ensure other persons cannot restore the electricity supply without your knowledge.

If you are in any doubt, please consult a qualified electrician.

If replacing an existing fitting, make a note of the connections.

Always use the correct type and wattage bulb. Never exceed the wattage stated.

Caution! The bulb and surrounding parts can become hot during use.

Care instructions





We recommend cleaning with a soft dry cloth.

Do not use abrasive materials as these will damage the finish.

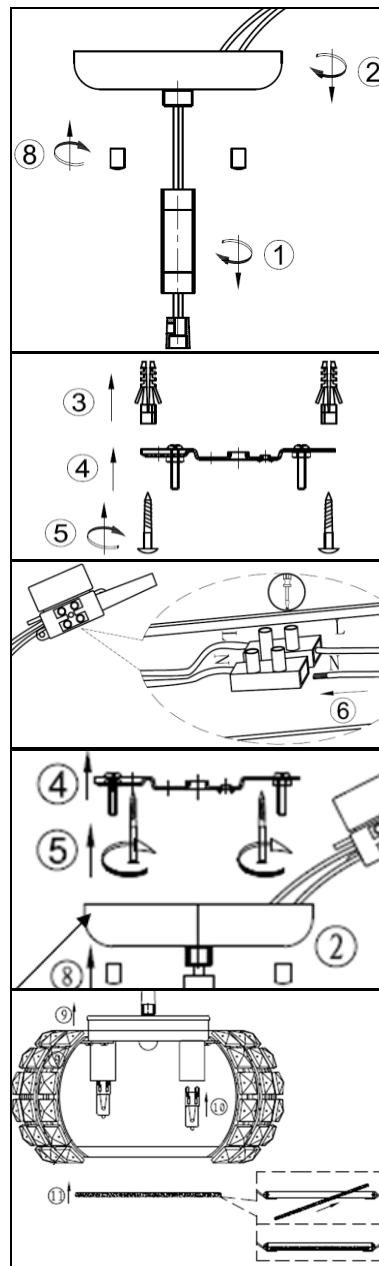
Indoors use only.

Replace bulbs from John Lewis or established brand of the same type and compatibility.

Parts list

	Parts list	Qty		Parts list	Qty
A		2	C		1
B		2	D		1

Assembly



Ensure the mains electricity supply switched off at the fuse board.

Step 1

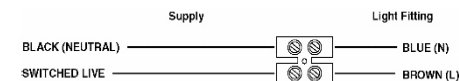
Attach centre (1) rod to main frame, then attach ceiling cup (2) to centre rod.

Step 2

Fix bracket (4) onto ceiling by using screws provided. Ensure that the bracket is fixed to a wooden joist, or use a suitable fixing to the ceiling which will support the weight of the fitting.

Step 3

Connect cables or terminals as shown below:



Check all wires are tight in the terminal block, and no loose strands are left out.

Cover with insulating tape (not included).

Step 4

Push up ceiling cup (2) to mounting bracket (4), then secure with finials (8).

Step 5

Fit bulb (10) to the lamp holder (not included).

Attach crystal frame (9) to fixture body and slightly adjust position once finished.

Attach diffuser (11) as shown in the diagram.

Switch on the electricity supply at the fuse board. The maximum power indicated must not be exceeded.