
Caring for your product

We recommend cleaning with a soft dry cloth. Do not use abrasive materials as these will damage the finish.

Aftercare and Troubleshooting

If you experience any unresolvable technical issues with the product, contact your nearest John Lewis & Partners shop or John Lewis & Partner Technical Support on 03301 230106.

Specification

Max. power: 25W
Voltage: 220–240V, 50Hz
IP rating: 20
Weight: 4.2kg

**5 year guarantee**

At John Lewis & Partners we test every light to high quality standards so we are able to offer you a 5 year guarantee.

Recycling

This symbol  indicates that this product should not be treated as normal household waste and it should be recycled. John Lewis & Partners do not operate instore take back, but as members of the Distributor Take Back scheme have funded the development and upgrade of recycling facilities across the UK. Please take it to your nearest collection facility or for further details contact your local council or visit www.recycle-more.co.uk.



John Lewis Partnership
171 Victoria Street
London SW1E 5NN
johnlewis.com

Made in China

Please retain these instructions for future reference.



MYKKI FLOOR LIGHT USER GUIDE



Introduction

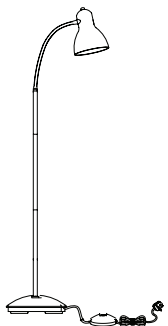


**Thank you for purchasing this Mykki Floor Light.
Please read the instructions carefully before
use to ensure safe and satisfactory operation
of this product.**

Warnings



This is a Class II product and must NOT be earthed.
Please read these instructions carefully before commencing any work.
Your standard lamp has been packaged as separate parts to prevent damage during transit.
When manoeuvring or assembling this product, it must be lifted from the bottom section.
The lamp must be protected by a 3 amp fuse in the mains plug.
If you are in any doubt, please consult a qualified electrician.
For your safety, always switch off the supply before cleaning or adjusting.
If the mains cable becomes damaged it must only be replaced by a technically competent, qualified person.

Parts list

		Qty
Lamp		1
Spanner		1
Bulb		1

Recommended bulb

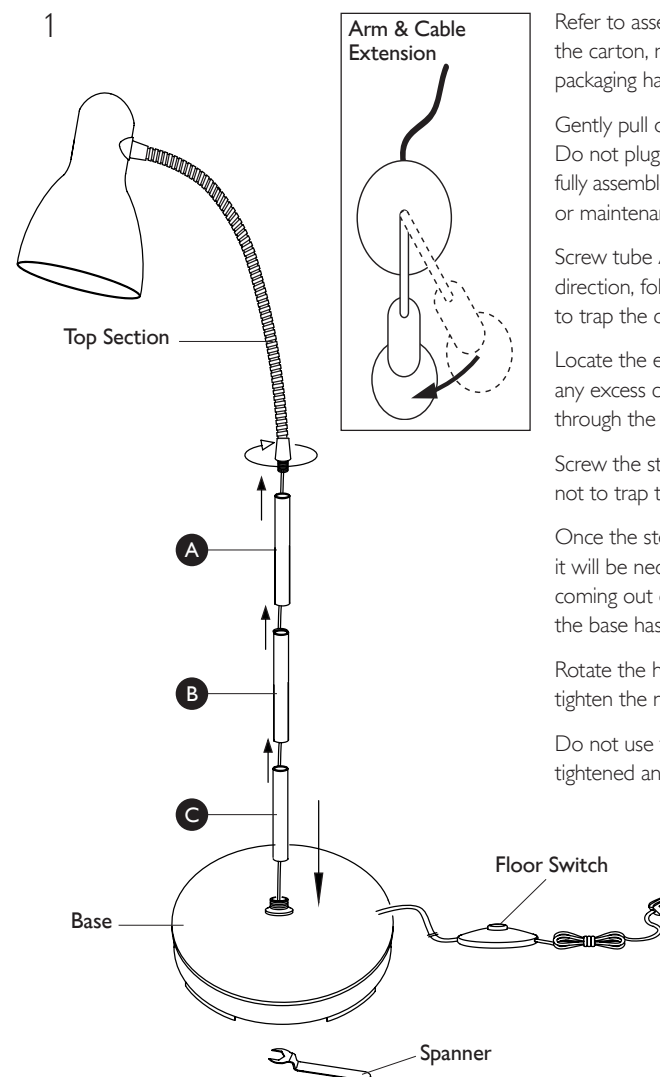
Recommended bulb (included)

1 x 4W GU10 LED
Energy efficient bulb

When changing a bulb, always switch off at the mains and allow the bulb to cool before handling. Dispose of used bulbs carefully. Do not exceed the rated power stated or use a different shape bulb from that indicated on the fitting.

Product assembly

1



Refer to assembly drawing opposite. Carefully unpack the carton, making sure all the parts are present and all packaging has been removed before assembly.

Gently pull out the protectors from the tube ends. Do not plug in or use this product until it has been fully assembled. Disconnect from mains during assembly or maintenance.

Screw tube A on to the top section in a clockwise direction, followed by tubes B and C. Take care not to trap the cable or cross the thread.

Locate the end of tube C on to the base. Gently pull any excess cable through from under the base and out through the side of the base.

Screw the stem on to the base thread, taking care not to trap the cable or cross the threads.

Once the stem has been screwed onto the base, it will be necessary to align the head with the cable coming out of the base. The central nut underneath the base has been left slightly loose for this purpose.

Rotate the head to align with the cable and fully tighten the nut. A spanner is supplied for this purpose.

Do not use the lamp until the nut has been fully tightened and the stem is securely fixed.

2

Stand the product upright and check the tightness of the joints.

Fit the bulb per the instructions overleaf.

Your standard lamp is now ready to use. Switch on using the floor switch.