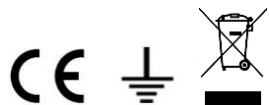


Recommended bulb


3 x 3-6W SES energy efficient LED candle bulb clear
or
3 x 28W SES eco halogen candle bulb clear
Bulb not included

Specifications

Max. power: 40W
Voltage: 220~240V,50/60Hz
IP rating:20
Weight: 1.55kg



Please retain these instructions for future reference.

This symbol  indicates that this product should not be treated as normal household waste and it should be recycled. John Lewis do not operate instore take back, but as members of the Distributor Take Back scheme have funded the development and upgrade of recycling facilities across the UK. Please take it to your nearest collection facility or for further details contact your local council or visit www.recycle-more.co.uk.

Trouble Shooting:

Why is the light not working when switched on?

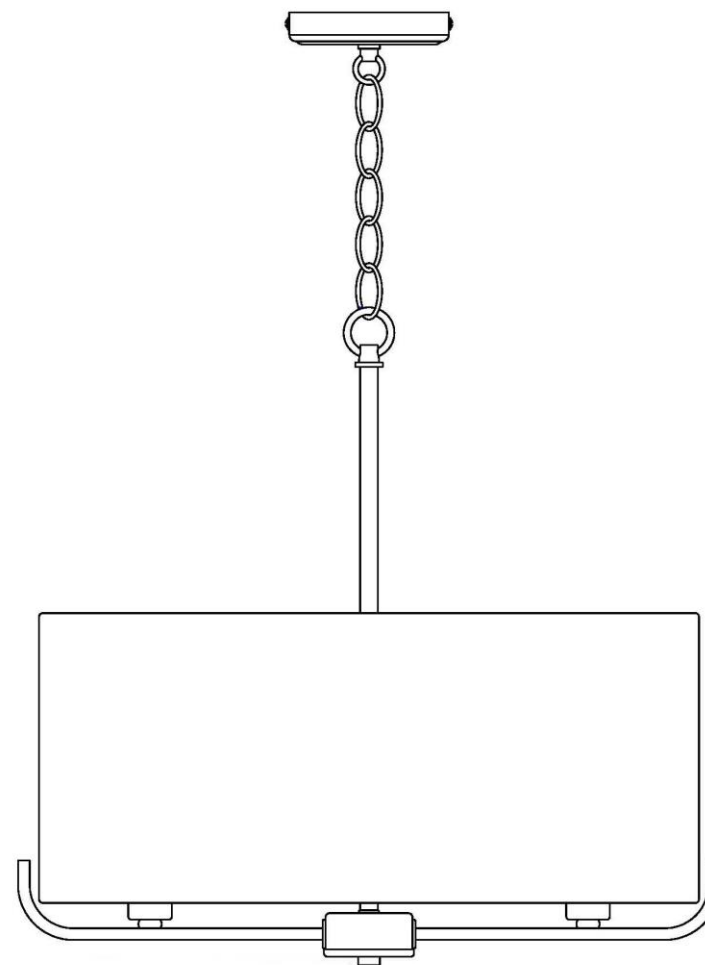
Check your power supply is switched on
Turn off light and check that the bulb is inserted correctly
Check the bulb is still in working order.

John Lewis Partnership
171 Victoria Street
London SW1E 5NN
johnlewis.com

Made in China

John Lewis

User manual Jamieson Ceiling light



Thank you for purchasing this Jamieson ceiling light. Please read the instructions carefully before use to ensure safe and satisfactory operation of this product. Please keep these instructions for future reference.

Warnings!

This product is Class I and must be earthed.

For your safety, this product must be installed in accordance with local Building Regulations. If in any doubt, or where required by law, consult a competent person who is registered with an electrical self-certification scheme. Further Information is available online or from your Local Authority

To prevent electric shock, switch off at the mains supply before installing or Maintaining this fitting. Ensure other persons cannot restore the electricity supply without your knowledge.

If you are in any doubt, please consult a qualified electrician.

If replacing an existing fitting, make a note of the connections.

Always use the correct type and power bulb. Never exceed the power stated.

When changing a bulb, always switch off at the mains and allow the old bulb to cool Down before handling. Dispose of used bulbs carefully.

Caution! The bulb and surrounding parts can become hot during use.

Parts list

2 x wall plugs and 2 x fixing screws

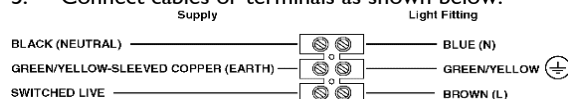
1 x cross bar

1 x connector block

2 x grub screws

Instructions

1. Ensure the house electricity supply is switched off at the fuse board.
2. The weight of the fitting must be supported by the suspension chain and not the flexible cable.
3. Ensure that the bracket (supplied) is fixed to a wooden joist, or use a suitable fixing to the ceiling which will support the weight of the fitting.
4. Feed the flexible cable through the links of chain and into the ceiling cup ensuring no strain is placed on the cable
5. Connect cables or terminals as shown below.

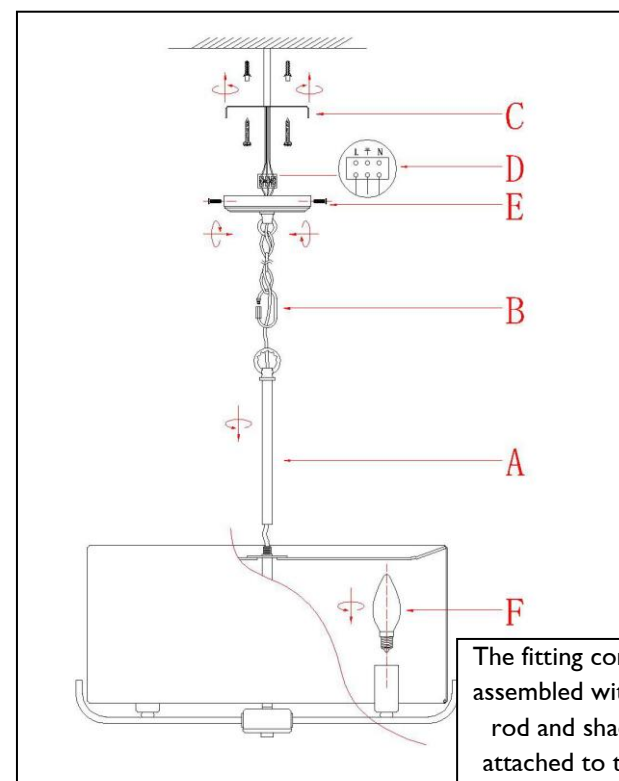
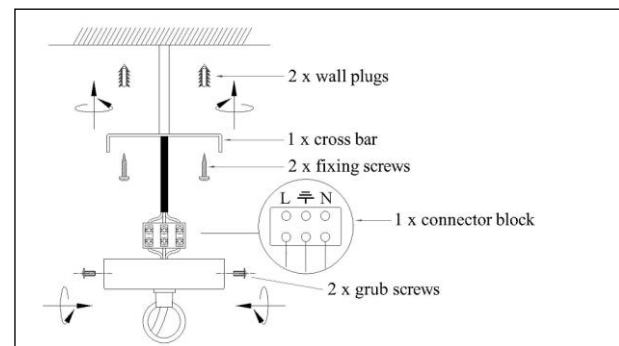


Check all wires are tight in the terminal block and no loose strands are left out.

Cover with insulating tape (not included)

6. Push up ceiling cup and secure with grub screws. Fit the bulb type/rated power as Indicated in specifications above. **The maximum power indicated must not be exceeded.**
7. Switch on the electricity supply at the fuse board.

Assembly



The fitting comes ready assembled with just the rod and shade to be attached to the frame before use.

Care instructions

We recommend cleaning with a soft dry cloth. Do not use abrasive materials as these will damage the finish.

Indoors use only.

Replace bulbs from John Lewis or established brand of the same type and compatibility.