

MEENA NON ELEC PENDANT

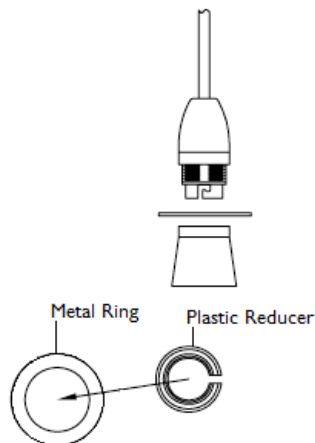
IL3300

Thank you for buying this non-electrical pendant.
Please read the instructions and warnings carefully before use to ensure safe and satisfactory operation of this product.

YOU MAY REQUIRE ASSISTANCE TO INSTALL THIS ITEM

Make sure the electricity is switched off at the fuse board before removing bulb.

1. Ensure the lamp holder is in good condition and is not damaged before proceeding.
2. Allow the old bulb to cool down before handling. Remove existing light bulb from lamp holder.
3. Remove lower half of lamp holder and make sure lamp holder is not damaged.
4. Pass the upper section of the lampholder connected to the supply cord through the top hole in the pendant.
5. **If this item is being fitted to a B22 batten it is important that the metal ring is used with the plastic reducer.** The plastic reducer clips into the inside of the metal rings rim to secure itself in place.
6. Refit the lower part of the lampholder to secure the shade into position. Take care not to overtighten as this may cause damage.
7. Fit the bulb, type and wattage as indicated on the product.
8. Switch the electricity back on at the fuse board. You may now switch on the light. Your non-electric shade is now ready for use.



Please retain this information leaflet for future reference

GENERAL INFORMATION

This fitting is designed for internal use only
Do not use polish or abrasive cleaner – just a soft dry cloth.

MEENA NON ELEC PENDANT

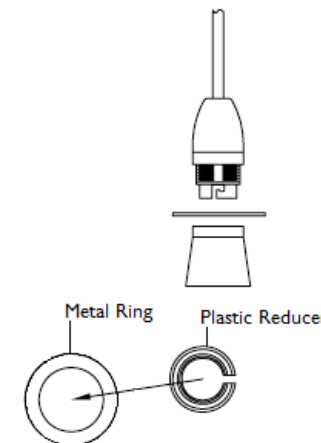
IL3300

Thank you for buying this non-electrical pendant.
Please read the instructions and warnings carefully before use to ensure safe and satisfactory operation of this product.

YOU MAY REQUIRE ASSISTANCE TO INSTALL THIS ITEM

Make sure the electricity is switched off at the fuse board before removing bulb.

1. Ensure the lamp holder is in good condition and is not damaged before proceeding.
2. Allow the old bulb to cool down before handling. Remove existing light bulb from lamp holder.
3. Remove lower half of lamp holder and make sure lamp holder is not damaged.
4. Pass the upper section of the lampholder connected to the supply cord through the top hole in the pendant.
5. **If this item is being fitted to a B22 batten it is important that the metal ring is used with the plastic reducer.** The plastic reducer clips into the inside of the metal rings rim to secure itself in place.
6. Refit the lower part of the lampholder to secure the shade into position. Take care not to overtighten as this may cause damage.
7. Fit the bulb, type and wattage as indicated on the product.
8. Switch the electricity back on at the fuse board. You may now switch on the light. Your non-electric shade is now ready for use.



Please retain this information leaflet for future reference

GENERAL INFORMATION

This fitting is designed for internal use only
Do not use polish or abrasive cleaner – just a soft dry cloth.