

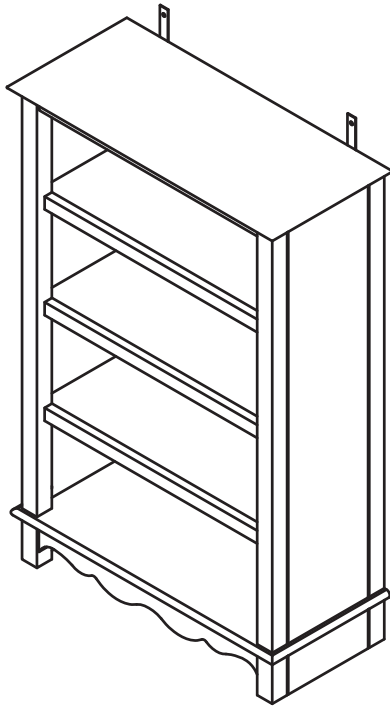
# IMPORTANT! PLEASE KEEP THESE INSTRUCTIONS FOR FUTURE REFERENCE

John Lewis

## Victoria Bookcase

Stock code: 803/67006

Thank you for purchasing this Victoria Bookcase. Please read the instructions carefully before use to ensure safe and satisfactory operation of this product.



For product support or spare parts please call the John Lewis Helpline;

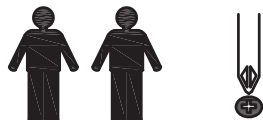
T: 01244 689949

E: [mail@fwgroup-uk.com](mailto:mail@fwgroup-uk.com)

## PRE-ASSEMBLY PREPARATION

Please ensure instructions are read in full before attempting to assemble this product.

### Necessary Tools



Please check the pack contents before attempting to assemble this product. A full checklist of components is given in this leaflet. If any components are missing, please contact the John Lewis Helpline.

This product is **HEAVY**. It should be assembled as near as possible to the point of use. **TAKE CARE WHEN LIFTING** to avoid personal injury and (or) damage to the product.

This product takes approximately **10 MINUTES** to assemble with **2 PEOPLE**.

The fittings pack contains **SMALL ITEMS** which should be **KEPT AWAY FROM YOUNG CHILDREN**.




Read this leaflet in full before commencing assembly.

If you require any additional information or have any issues with this product please call the John Lewis Helpline on 01244 689949 or email [mail@fwgroup-uk.com](mailto:mail@fwgroup-uk.com).

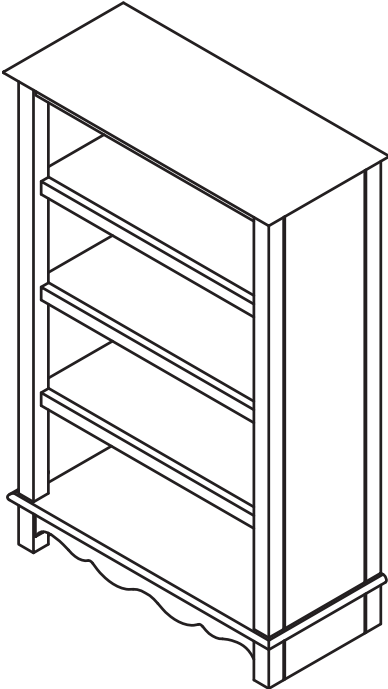
**IMPORTANT! PLEASE KEEP THESE INSTRUCTIONS FOR FUTURE REFERENCE**

**Fittings and parts checklist**

**Fittings**

A	Strap x 2	
B	Screws x 2	
C	Washer x 2	

**Parts**

A	Bookcase Frame x 1	
---	-----------------------	--

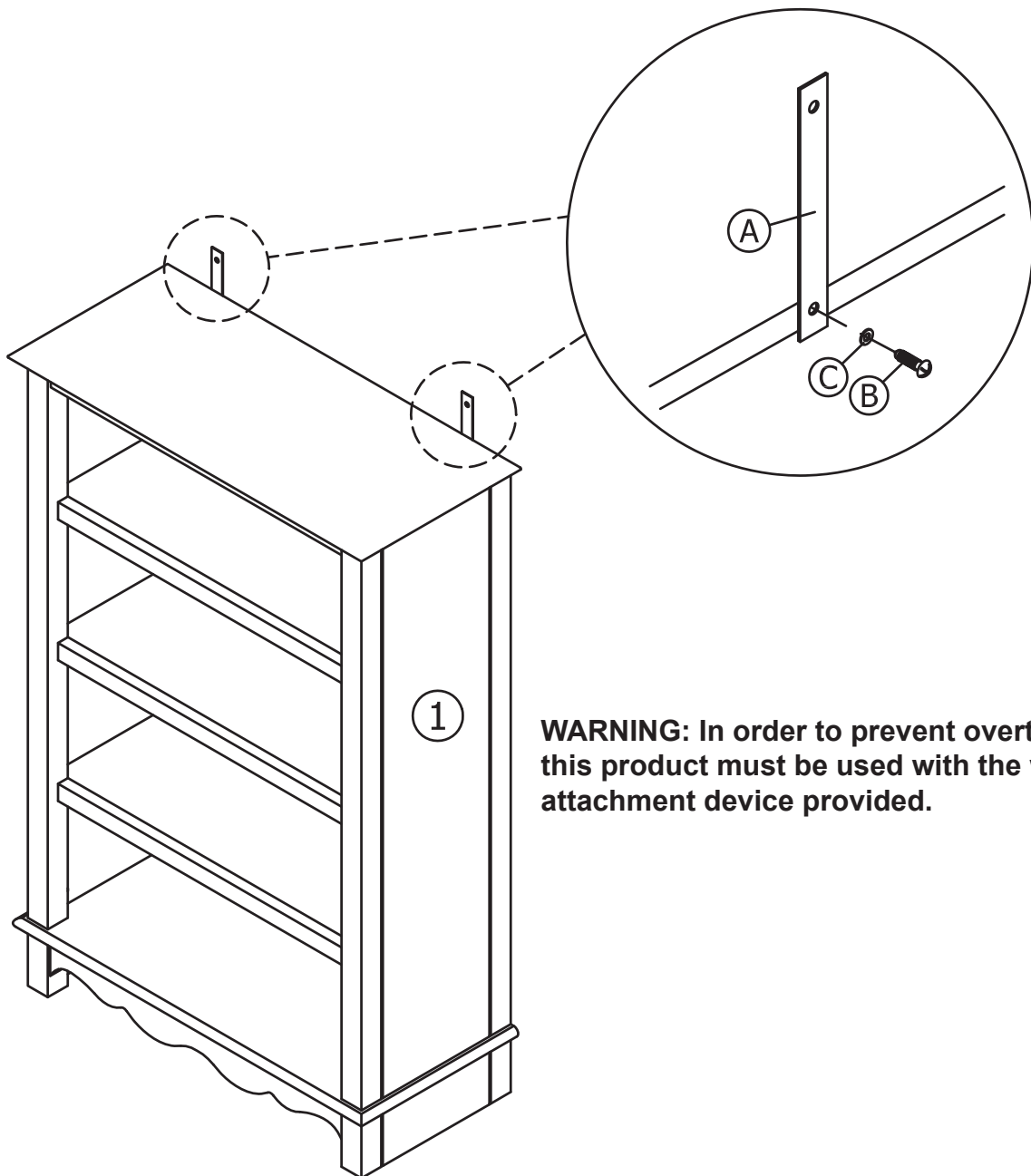
**PLEASE NOTE:** Wall fixings are not supplied with this product as different wall materials require different types of fixing devices. You must use fixing devices that are suitable for the type of wall you intend to mount this product to. The screw supplied is to fix the strap to the bookcase.

# IMPORTANT! PLEASE KEEP THESE INSTRUCTIONS FOR FUTURE REFERENCE

## Step by step assembly instructions

### Step One

Attach the Strap (A) at the back of the Bookcase (1) using Screw (B) and Washer (C), and secure in place using a screwdriver as detailed in the diagram below.

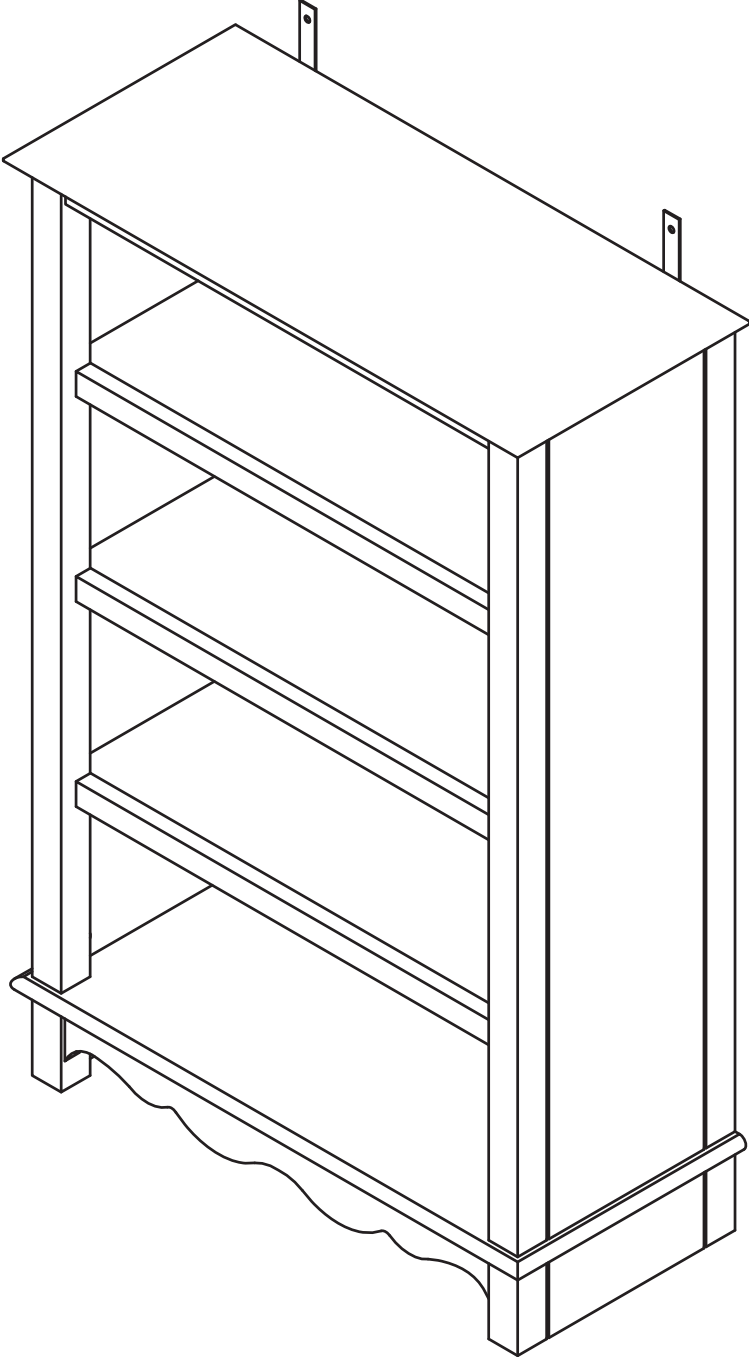


**WARNING:** In order to prevent overturning, this product must be used with the wall attachment device provided.

**PLEASE NOTE:** Wall fixings are not supplied with this product as different wall materials require different types of fixing devices. You must use fixing devices that are suitable for the type of wall you intend to mount this product to. The screw supplied is to fix the strap to the bookcase.

**IMPORTANT! PLEASE KEEP THESE INSTRUCTIONS FOR FUTURE REFERENCE**

Step Two



This product is now ready for use.

# IMPORTANT! PLEASE KEEP THESE INSTRUCTIONS FOR FUTURE REFERENCE

---

## Care and Maintenance

---

### Wood furniture

- Wood displays different grain patterns depending on which way they are cut - for example, 'the medullary ray' which can appear on oak furniture is a mark of good quality timber - these are just characteristics of the natural beauty of the wood. Some furniture is also deliberately aged and rustic.
- Wood veneers also allow distinctive patterns to be created on flat surfaces, such as table tops and drawer fronts by the way the slivers are arranged.
- All timber surfaces will change colour and mellow over time. New furniture will initially vary in shade from items that have been previously purchased.

### How to care for your wood furniture

- Furniture with a hard lacquer, wax polish or painted surface should be dusted with a dry cloth.
- Waxed furniture will need to be given a coat of beeswax a couple of times a year to help maintain its lustre.
- Spray polishes are best avoided as they contain silicones which may spoil the furniture by building up over time.
- Our furniture will endure most temperatures in the home but it is best to avoid placing furniture next to heat sources such as radiators or fires. Be particularly careful with solid wood as the lack of humidity caused by central heating can cause damage such as warping.

# IMPORTANT! PLEASE KEEP THESE INSTRUCTIONS FOR FUTURE REFERENCE

---

## Safety Instructions

---

- Never drag furniture when moving it. Always lift it.
- Periodically check all fixings to ensure none have come loose and re-tighten where necessary.
- Please take care when handling or moving the furniture as careless handling may cause damage or injury.
- Furniture can be dangerous if incorrectly installed. Assembly should be carried out by a competent adult.
- No liability will be accepted for damage or injury caused by incorrectly installed or assembled furniture.
- During assembly, children should be kept away from the product due to possible risk of injury.
- Do not use this item if any components are missing or damaged.
- This product is suitable for children aged 3 - 12 years.
- This product complies with FIRA/FRQG C001:2008, FIRA/FRQG C004:2008 and BS EN 71-3:2013+A1:2014.

If you require any additional information or have any issues with this product please call the John Lewis helpline on 01244 689949 or email [mail@fwgroup-uk.com](mailto:mail@fwgroup-uk.com).

John Lewis Partnership 171 Victoria Street, London, SW1E 5NN  
[www.johnlewis.com](http://www.johnlewis.com)