

For use

We recommend cleaning with a soft dry cloth. Do not use abrasive materials as these will damage the finish.

Specification


Maximum wattage: 2 x 6W LED Module (non-replaceable)

Voltage: 240V, 50Hz

IP Rating: 44

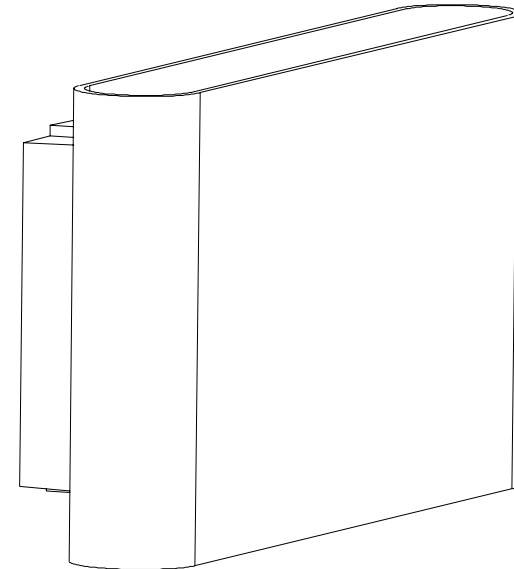
Weight: 0.55kg



This symbol  indicates that this product should not be treated as normal household waste and it should be recycled. John Lewis do not operate instore take back, but as members of the Distributor Trade Back scheme have funded the development and upgrade of recycling facilities across the UK. Please take it to your nearest collection facility or for further details contact your local council or visit www.recycle-more.co.uk.

John Lewis

User Manual Olbia Wall Light



We have taken great care to ensure that this product reaches you in perfect condition. However, should any parts be damaged or missing please contact our Product Helpline on (01202) 690945.

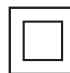
John Lewis Partnership
171 Victoria Street
London SW1E 5NN
johnlewis.com

Made in China

30/09/16

Thank you for purchasing this Olbia Wall Light. Please read the instructions carefully before use to ensure safe and satisfactory operation of this product. Please keep these instructions for future reference.

Warnings!

 **This product is Class II (double insulated) and must not be earthed. If there are any incoming earth cables, they must be joined together and well insulated with good quality insulation tape. This is to ensure earth continuity throughout your property.**

Please read these instructions carefully before commencing any work. It is recommended that this fitting is installed by a qualified electrician.

Install in accordance with the IEE Wiring regulations and the Building Regulations.

To prevent electrocution switch off at mains supply before installing or maintaining this fitting.

Ensure other persons cannot restore the electrical supply without your knowledge. If you are in any doubt, please consult a qualified electrician.

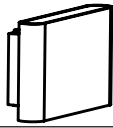




This light fitting should be connected to a 5 amp fused circuit.

If replacing an existing fitting, make a note of the connections.

This product is IP44 rated.

This product is not suitable for dimming.

Parts List

Light Fitting		1	Screws		2
			Hex screws		4
Hex Key		1	Wall plugs		2

Assembly

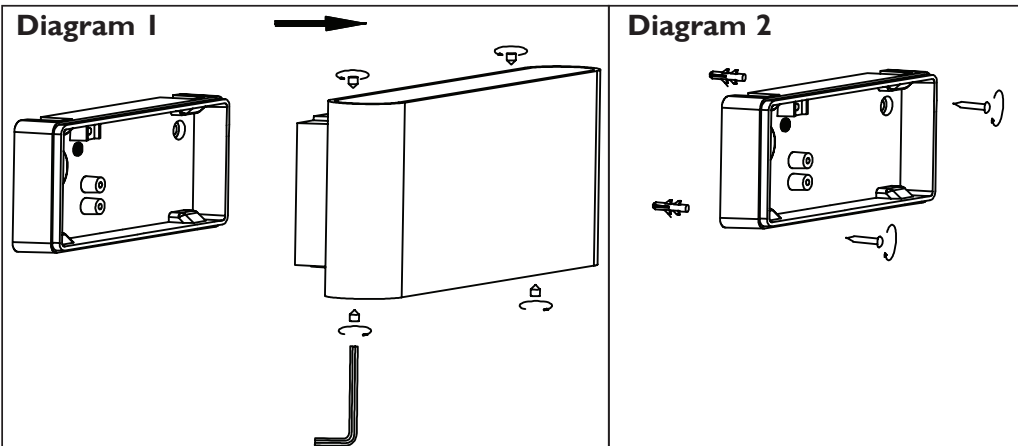
Refer to assembly diagrams opposite. Carefully unpack the carton, making sure all the parts are present before assembly.

Step 1

See Diagram 1. Undo the hexagonal screws at the top and bottom of the product with the supplied hex key to separate the shade from the wall back.

Step 2

See Diagram 2. Using the wall back as a template, mark the position of the mounting holes. Drill holes and fit supplied wall plugs (suitable for masonry only - for other surfaces use appropriate fixings). Feed the incoming mains supply cable through the grommet entry hole. Fix the wall back to the wall using the supplied screws.



Step 3: Wiring

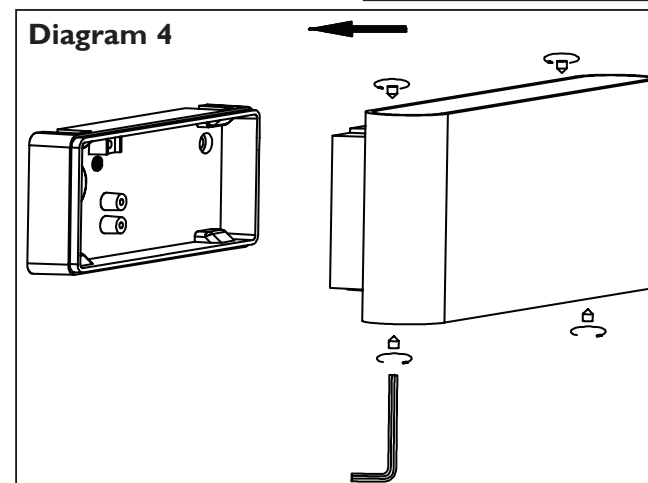
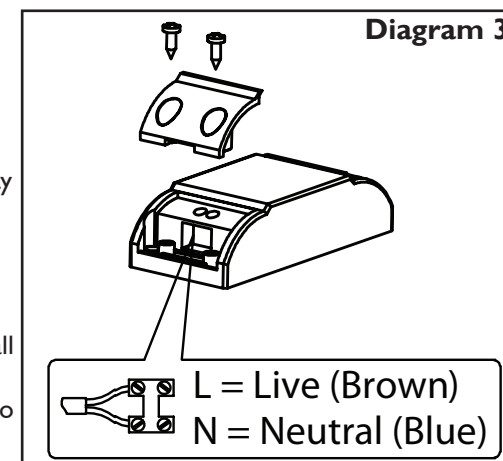
See Diagram 3. Remove the lid from the terminal box by loosening the screws.

Keep the lid and screws safe for refitting later.

Loosen the screw terminals and push the wires into the terminals. Make sure the correct polarity is observed. Retighten the screw terminals to secure the wires in place. Refit the lid set aside earlier.

Step 4

See Diagram 4. Place the light fitting over the wall back and refit the hexagonal screws set aside earlier to secure. Make sure the seal is in place to maintain IP protection.



Step 5

Replace fuse or circuit breaker and switch on. Your light is now ready for use.