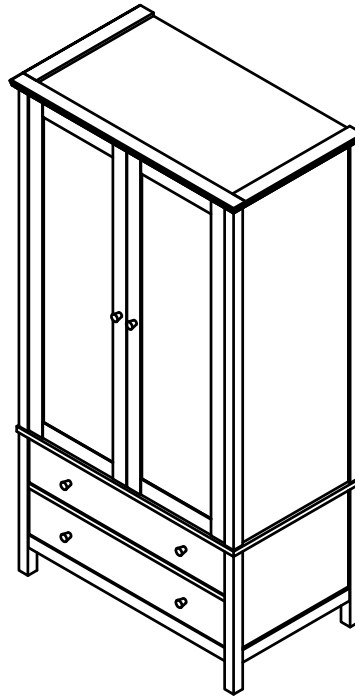


IMPORTANT! PLEASE KEEP THESE INSTRUCTIONS FOR FUTURE REFERENCE

Wilton 2 Door Wardrobe

Stock code white: 803/12221

Thank you for purchasing this Wilton 2 Door Wardrobe. Please read the instructions carefully before use to ensure safe and satisfactory operation of this product.

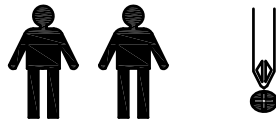


For product support or spare parts please call the John Lewis Helpline;
T: 01244 689949
E: mail@fwgroup-uk.com

PRE-ASSEMBLY PREPARATION

Please ensure instructions are read in full before attempting to assemble this product.

Necessary Tools



Please check the pack contents before attempting to assemble this product. A full checklist of components is given in this leaflet. If any components are missing, please contact the John Lewis helpline.

This product is **HEAVY**. It should be assembled as near as possible to the point of use. **TAKE CARE WHEN LIFTING** to avoid personal injury and (or) damage to the product.

This product takes approximately **30 MINUTES** to assemble with **2 PEOPLE**.



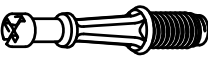










The fittings pack contains **SMALL PARTS** which should be **KEPT AWAY FROM YOUNG CHILDREN**.

Read this leaflet in full before commencing assembly.

If you require any additional information or have any issues with this product please call the John Lewis Helpline on 01244 689949 or email mail@fwgroup-uk.com.

Fittings and parts checklist

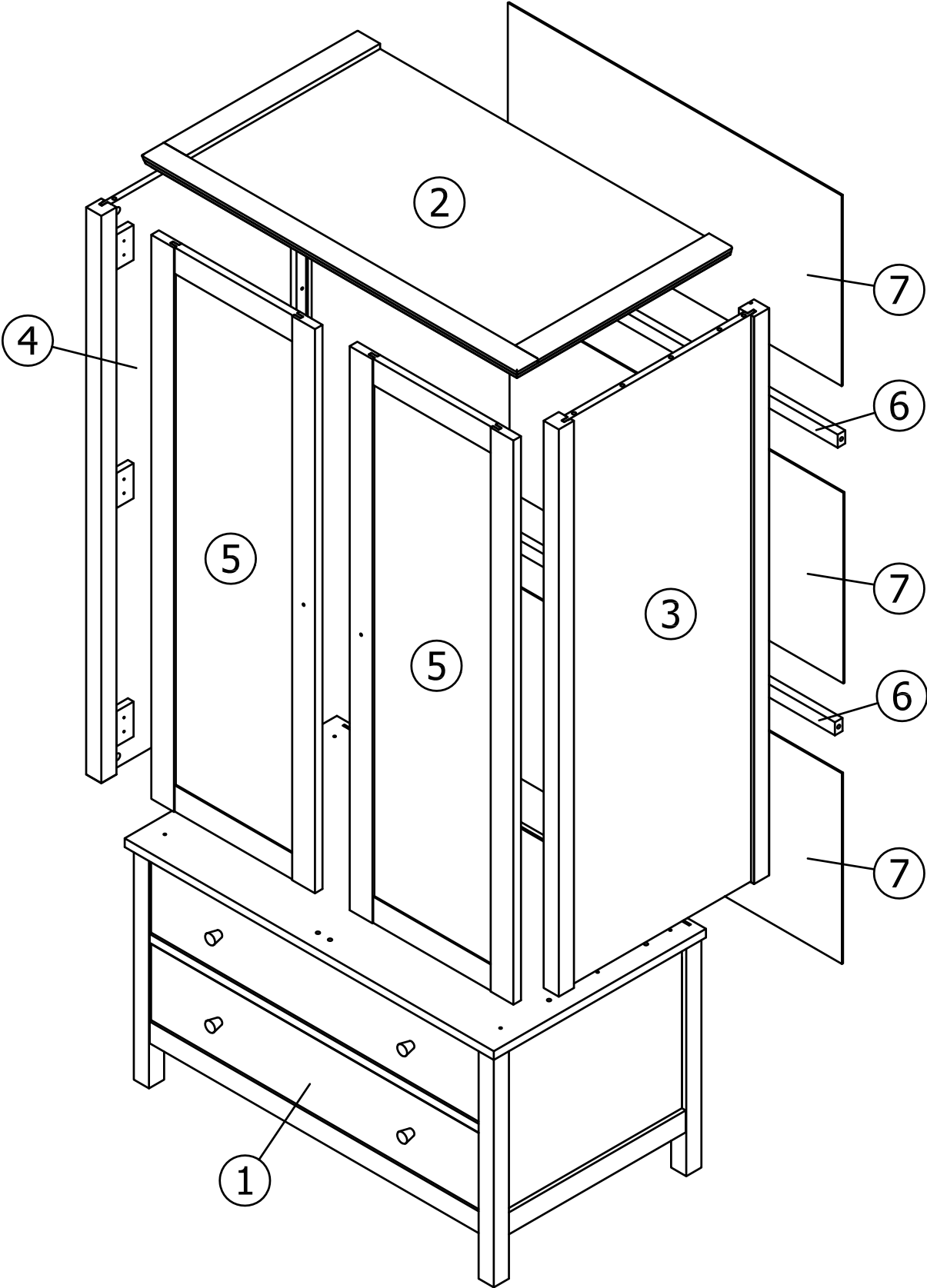
Fittings

A	CAMFIX x16		H		FLAT WASHER x2
B	MINIFIX x16		I		DOOR HINGES 7/8" x6
C	M8 x 30mm DOWEL x8		J		HANDLE x2
D	M3.5 x 16mm PAN HEAD SCREW x24		K		M4 X 32MM HANDLE SCREW x2
E	M3.5 x 16mm SCREW x24		L		RING HOLDER x1 SET
F	CHROME PIPE (1" x 893mm) x1		M		STRAP x2
G	DOOR STOPPER x4				

Parts

NO	DESCRIPTION	QTY
1	BOTTOM UNIT	x 1
2	TOP PANEL	x 1
3	SIDE PANEL RIGHT	x 1
4	SIDE PANEL LEFT	x 1
5	DOOR PANEL RIGHT & LEFT	x 2
6	BACK PLY SUPPORT	x 2
7	BACK PLY	x 3

Key diagram



Pre-assembly Preparation

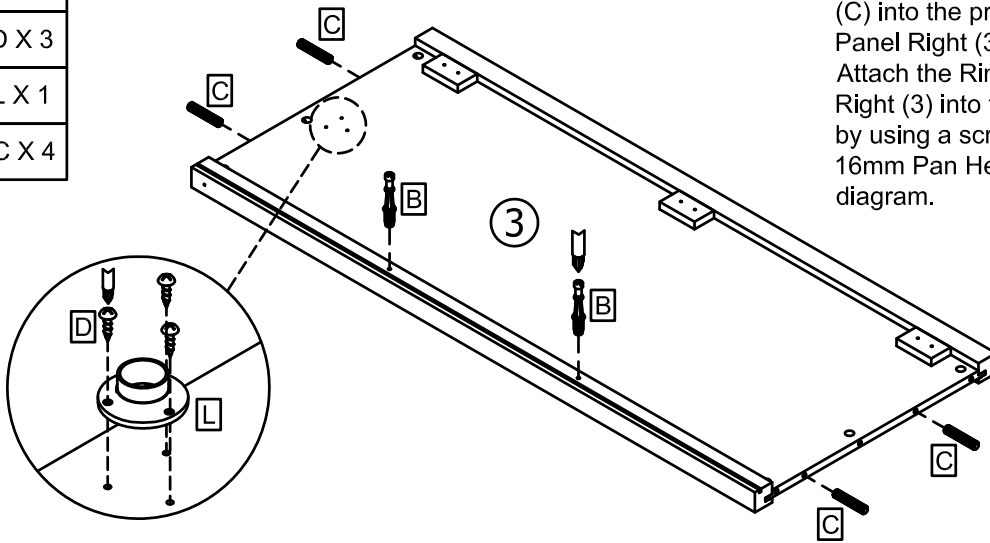
1

B X 2

D X 3

L X 1

C X 4



Insert the Minifix (D) and M8 x 30mm Dowel (C) into the pre-drilled holes on the Side Panel Right (3) as shown in the diagram. Attach the Ring Holder (L) to the Side Panel Right (3) into the pre-drilled holes, securing by using a screwdriver to tighten the M3.5 x 16mm Pan Head Screw (D) as shown in the diagram.

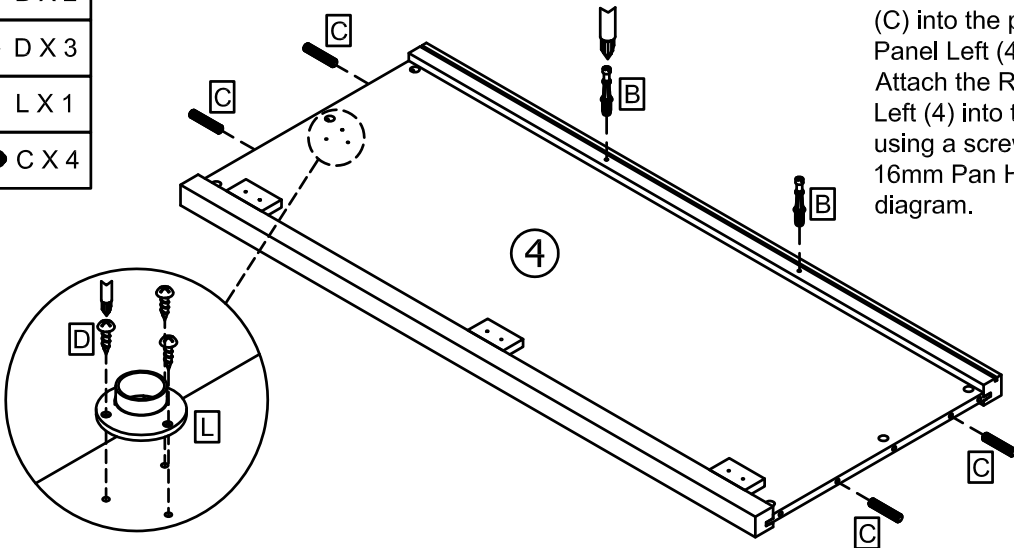
2

B X 2

D X 3

L X 1

C X 4

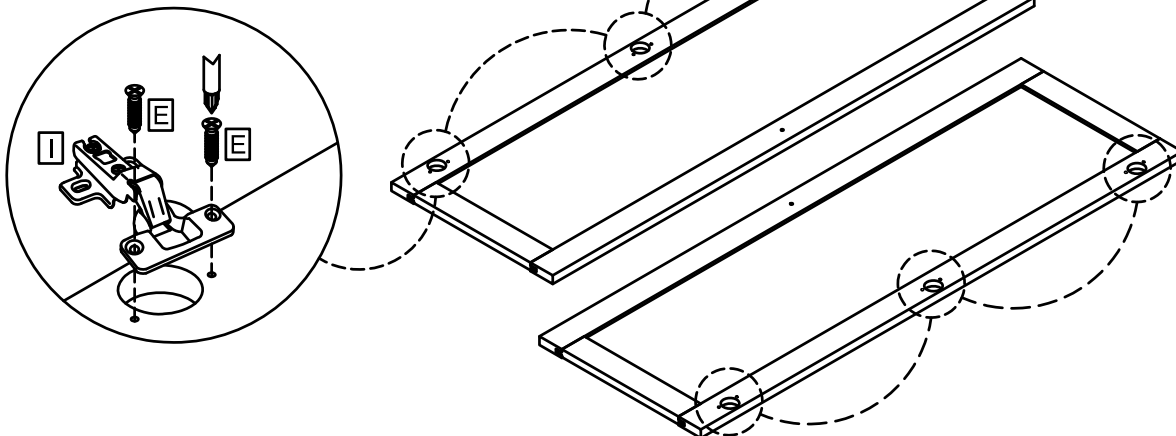


Insert the Minifix (D) and M8 x 30mm Dowel (C) into the pre-drilled holes on the Side Panel Left (4) as shown in the diagram. Attach the Ring Holder (L) to the Side Panel Left (4) into the pre-drilled holes, securing by using a screwdriver to tighten the M3.5 x 16mm Pan Head Screw (D) as shown in the diagram.

3



E X 12

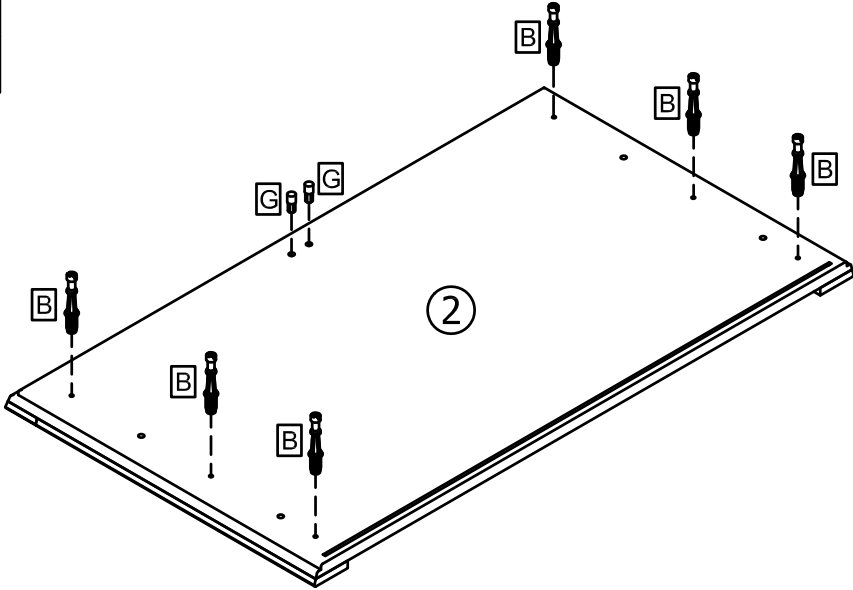
I X 6





Insert the Hinges (I) to the Doors (5) and secure in place using M3.5 x 16mm Screw (E) as shown in the diagram.

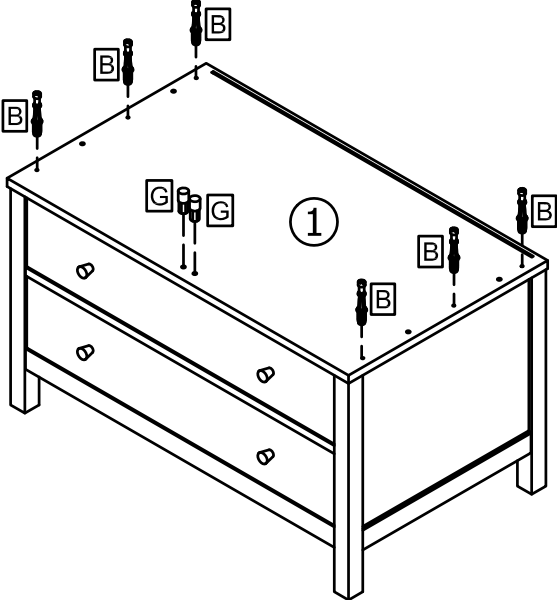
Pre-assembly Preparation

- 4  B X 6
-  G X 2



Insert the Minifix (B) and Door Stopper (G) into the pre-drilled holes on the Top Panel (2) as shown in the diagram.

- 5  B X 6
-  G X 2

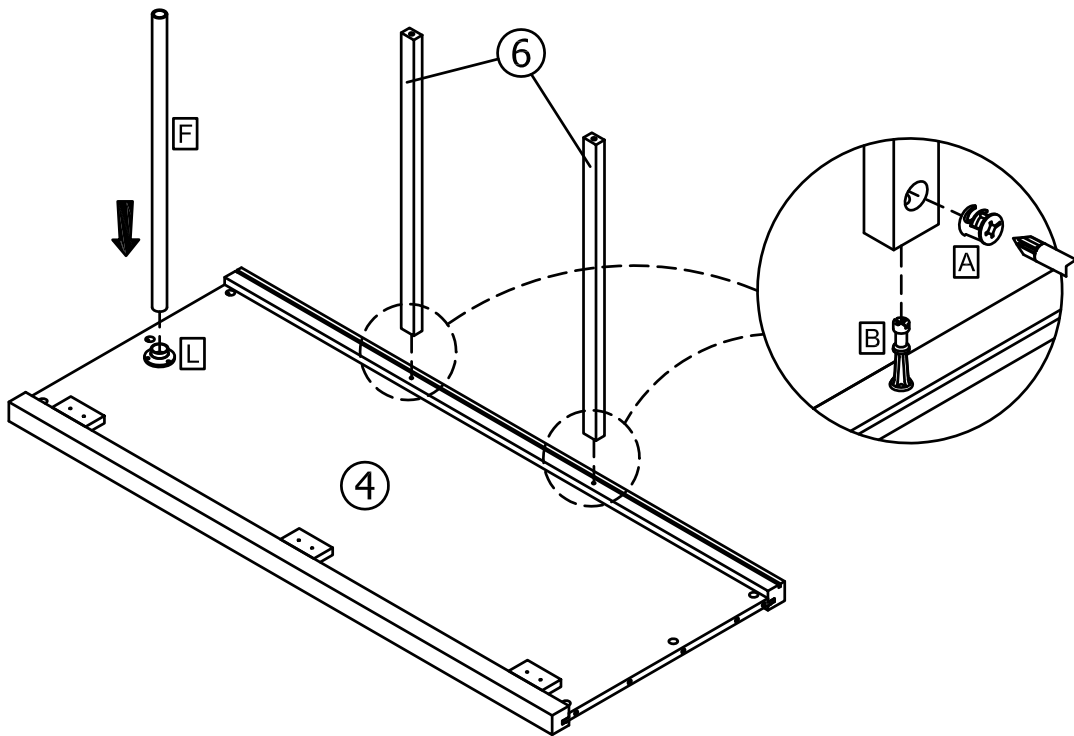


Insert the Minifix (B) and Door Stopper (G) into the pre-drilled holes on the Bottom Unit (1) as shown in the diagram.

Step by step assembly instructions

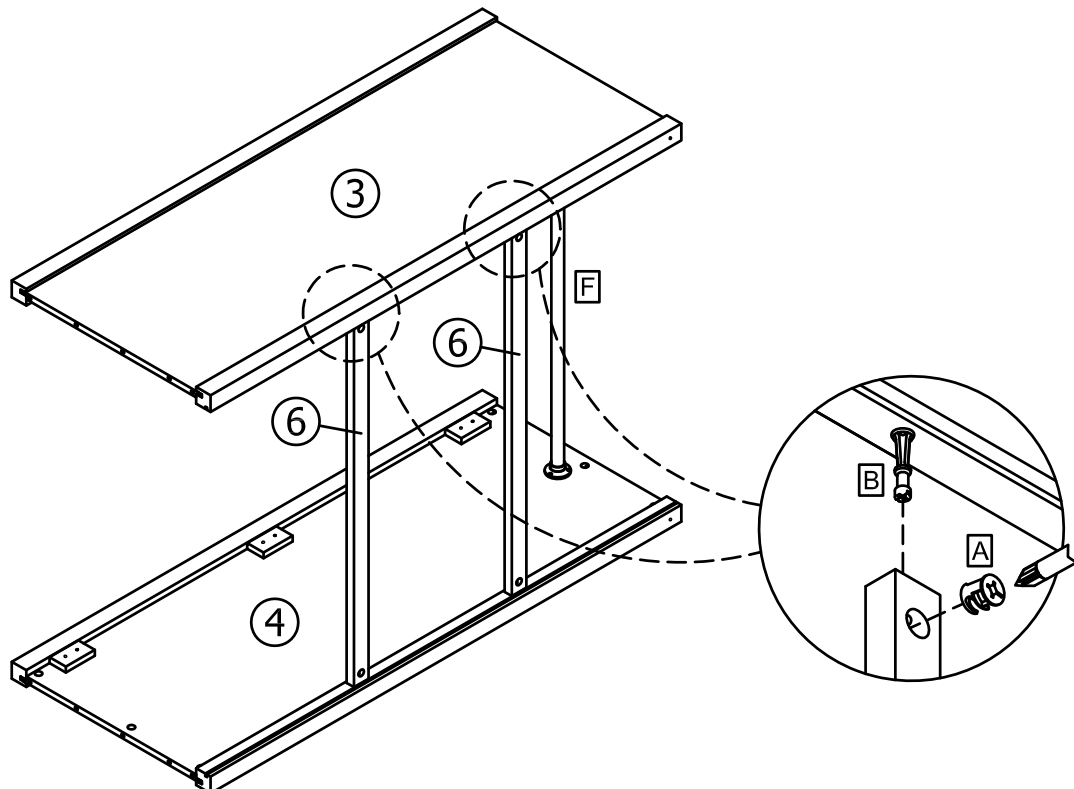
Step One

Attach the Back Ply Support (6) to the Side Panel Left (4) by pushing the pre-attached Minifix (B) into the pre-drilled holes, securing in place by using a screwdriver to tighten the Camfix (A) as shown in the diagram. Then place the Chrome Pipe (F) into the Ring Holder (L) as shown in the diagram.



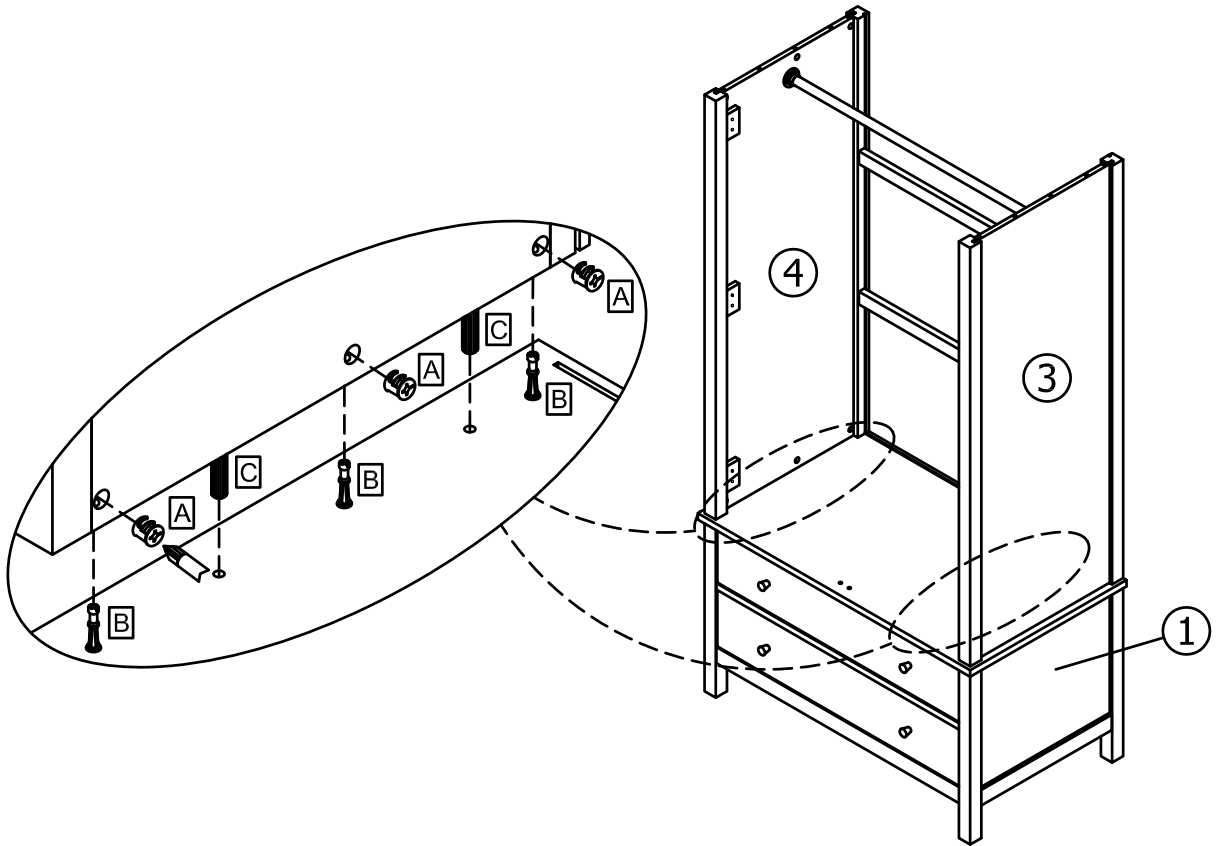
Step Two

Attach the Back Ply Support (6) to the Side Panel Right (3) by pushing the pre-attached Minifix (B) into the pre-drilled holes, securing in place by using a screwdriver to tighten the Camfix (A) as shown in the diagram. Then place the Chrome Pipe (F) into the Ring Holder (L) as shown in the diagram.



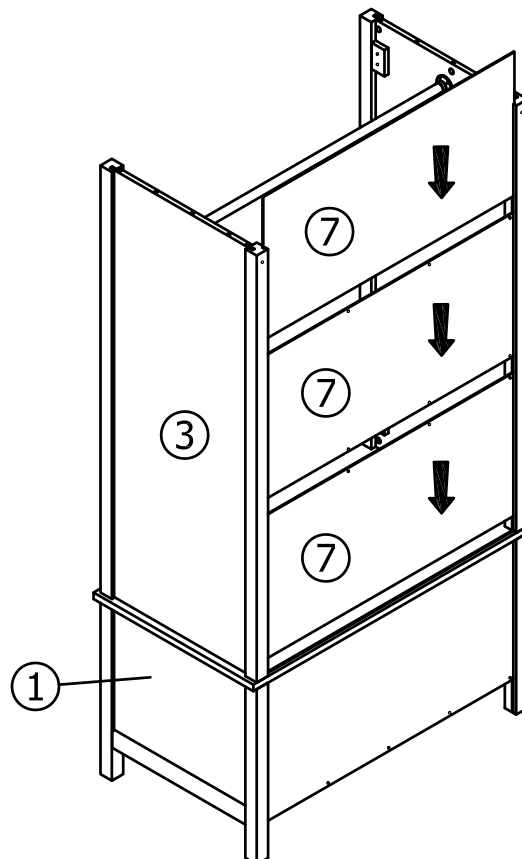
Step Three

Attach the Side Panel (3) & (4) to the top of Bottom Unit (1) by pushing the pre-attached Minifix (B) and M8 x 30mm Dowel (C) into the pre-drilled holes, securing in place by using a screwdriver to tighten the Camfix (A) as shown in the diagram.



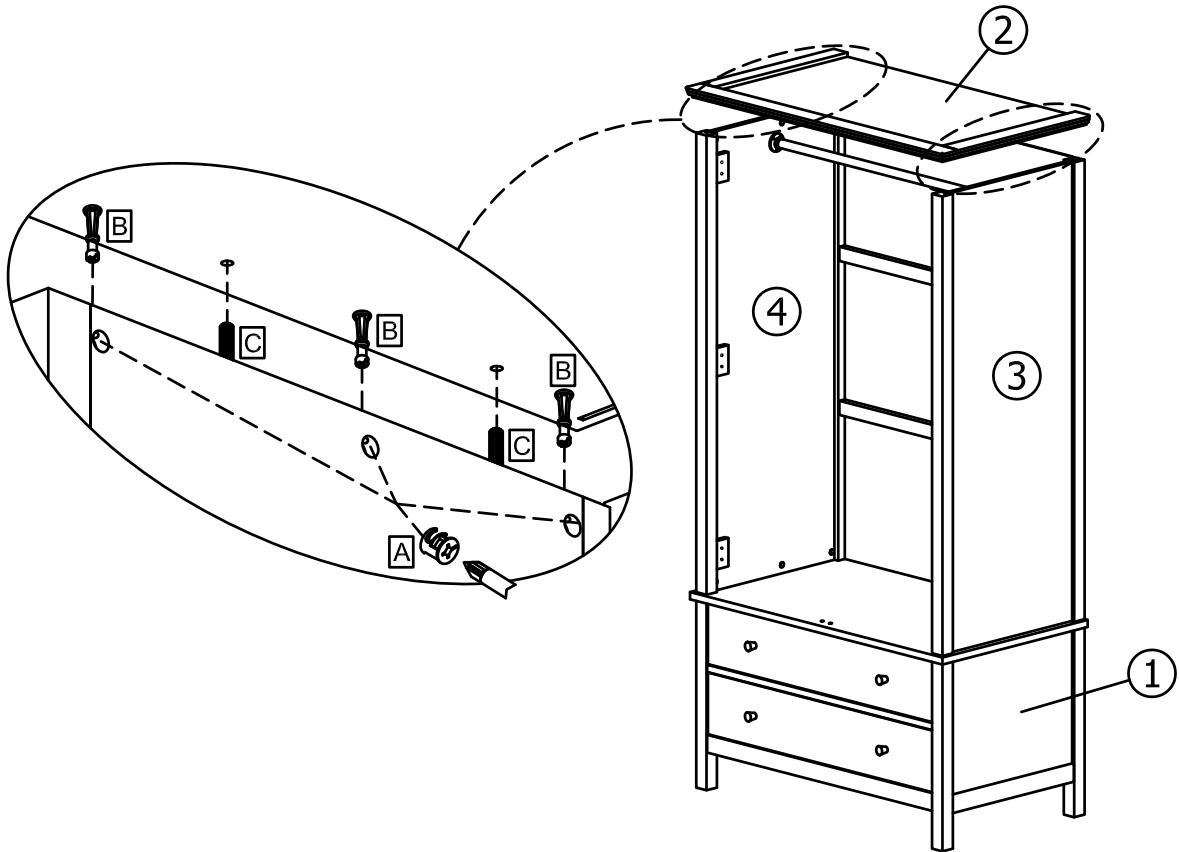
Step Four

Place in the Back Plys (7) into the gap of the Side Panel (3) & (4) as detailed in the diagram.



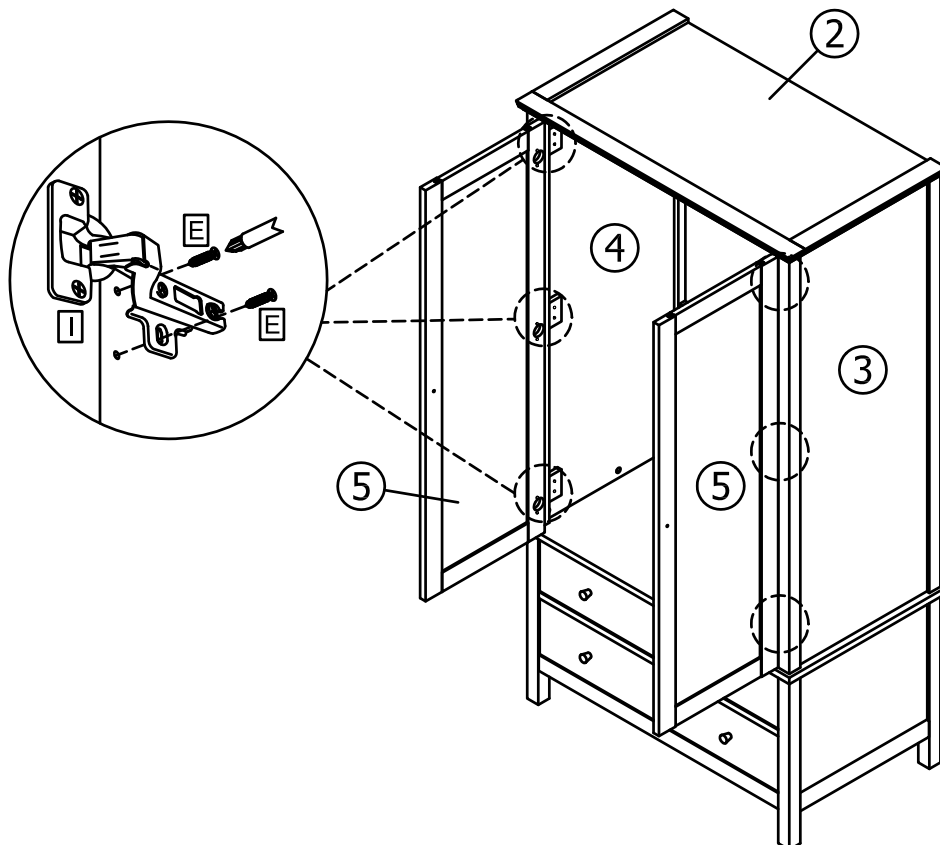
Step Five

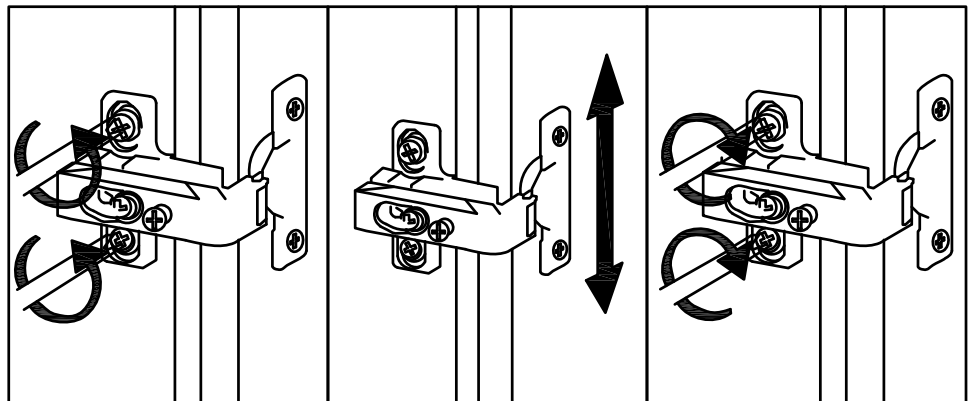
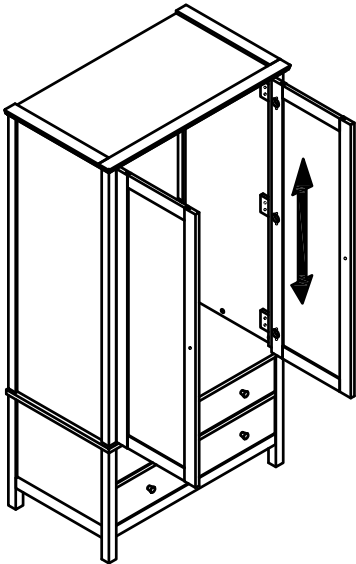
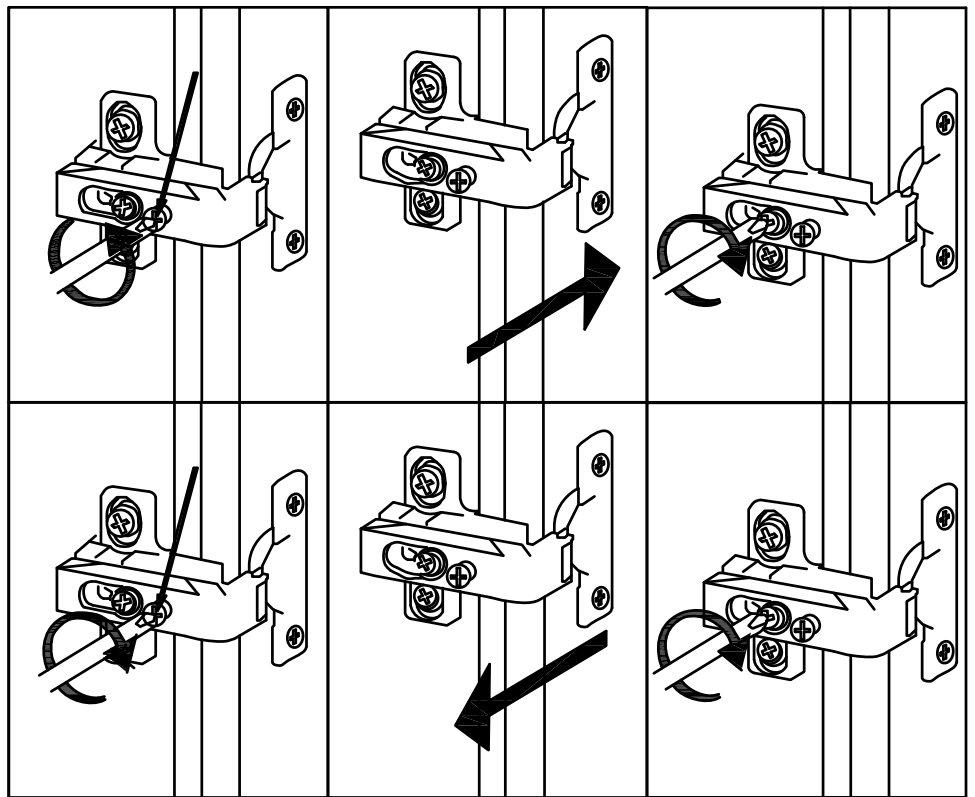
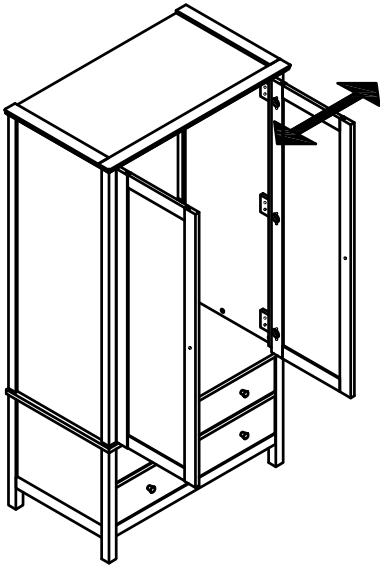
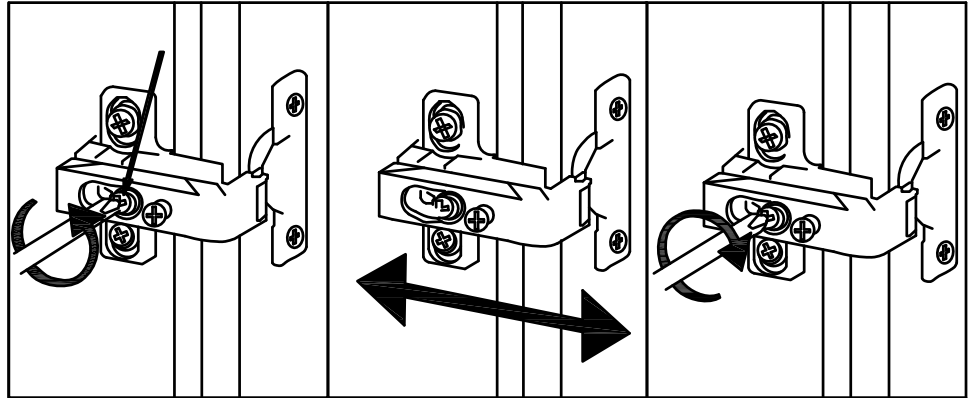
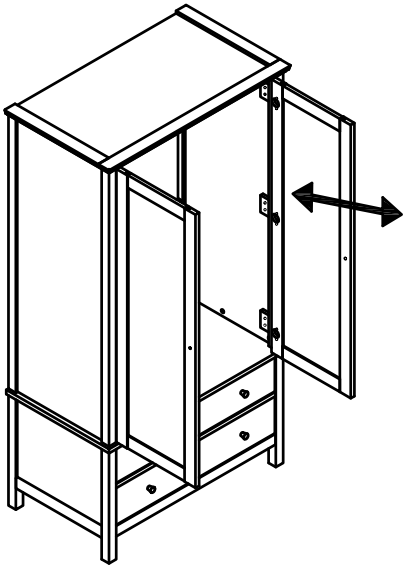
Attach the Top Panel (2) to the Side Panel (3) & (4) by pushing the pre-attached Minifix (B) and M8 x 30mm Dowel (C) into the pre-drilled holes, securing in place by using a screwdriver to tighten the Camfix (A) as shown in the diagram.



Step Six

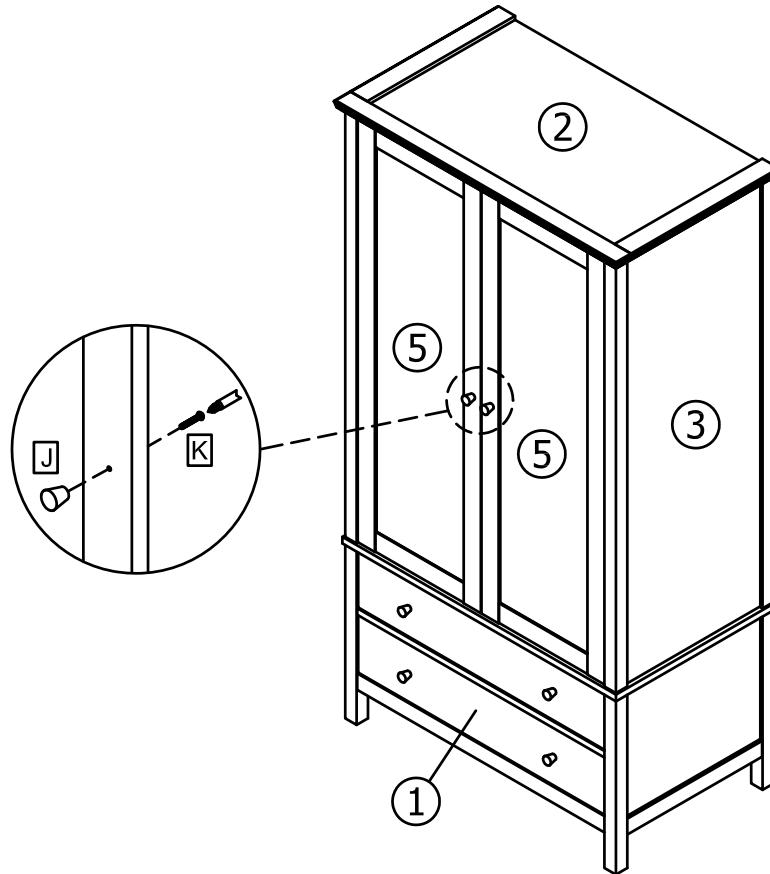
Attach the Door Panel Right and Left (5) to the Side Panel Right (3) and Left (4), securing in place by using a screwdriver to tighten the M3.5 x 16mm Screw (E) to the Hinges (I) as shown in the diagram.





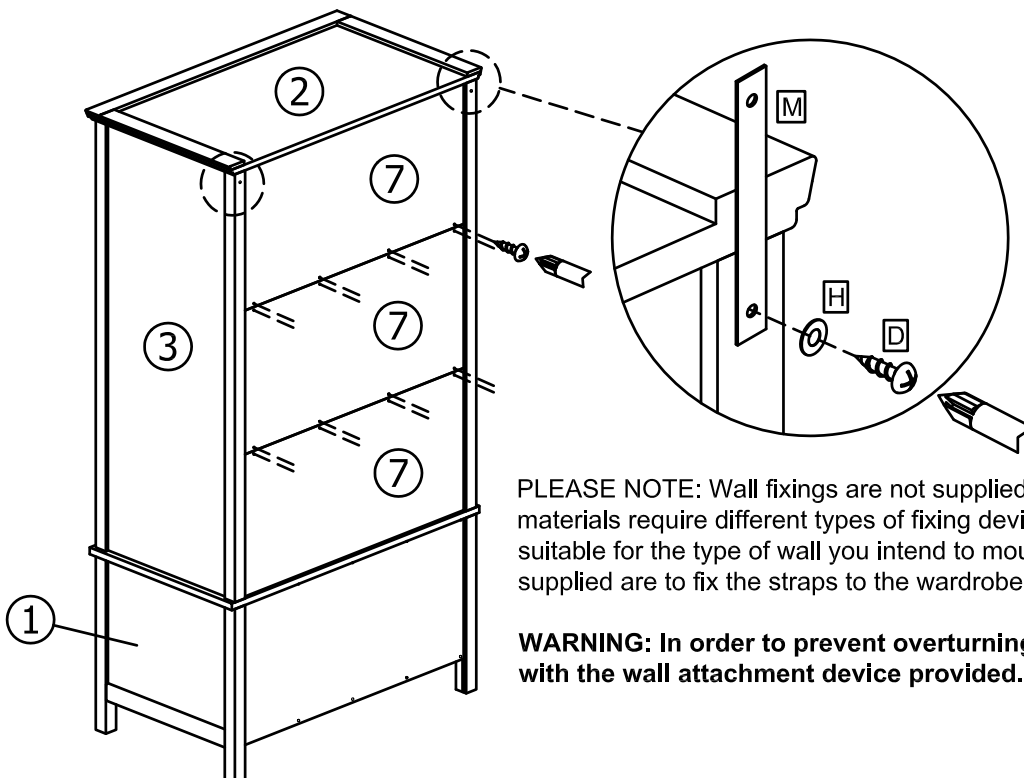
Step Eight

Fix the Handle (J) to Door Panel Right and Left (5) using M4 x 25mm Handle Screw (K) and tighten using a Screwdriver.



Step Nine

Insert the M3.5 x 16mm Pan Head Screw (D) into the pre-drilled holes at the back of the Wardrobe and secure in place by using a screwdriver to tighten as detailed in the diagram. Next attach Straps (M) at the top rear of the wardrobe using a screwdriver to tighten the Flat Washer (H) and M3.5 x 16mm Pan Head Screw (D) as shown in the diagram.



PLEASE NOTE: Wall fixings are not supplied with this product as different wall materials require different types of fixing devices. You must use fixing devices suitable for the type of wall you intend to mount this product to. The screws supplied are to fix the straps to the wardrobe.

WARNING: In order to prevent overturning, this product must be used with the wall attachment device provided.

Care and Maintenance

Wood furniture

- Wood displays different grain patterns depending on which way they are cut - for example, 'the medullary ray' which can appear on oak furniture is a mark of good quality timber - these are just characteristics of the natural beauty of the wood. Some furniture is also deliberately aged and rustic.
- Wood veneers also allow distinctive patterns to be created on flat surfaces, such as table tops and drawer fronts by the way the slivers are arranged.
- All timber surfaces will change colour and mellow over time. New furniture will initially vary in shade from items that have been previously purchased.

How to care for your wood furniture

- Furniture with a hard lacquer, wax polish or painted surface should be dusted with a dry cloth.
- Waxed furniture will need to be given a coat of beeswax a couple of times a year to help maintain its lustre.
- Spray polishes are best avoided as they contain silicones which may spoil the furniture by building up over time.
- Our furniture will endure most temperatures in the home but it is best to avoid placing furniture next to heat sources such as radiators or fires. Be particularly careful with solid wood as the lack of humidity caused by central heating can cause damage such as warping.

Safety Instructions

- Never drag furniture when moving it. Always lift it.
- Periodically check all fixings to ensure none have come loose and re-tighten where necessary.
- Please take care when handling or moving the furniture as careless handling may cause damage or injury.
- Furniture can be dangerous if incorrectly installed. Assembly should be carried out by a competent adult.
- No liability will be accepted for damage or injury caused by incorrectly installed or assembled furniture.
- During assembly, children should be kept away from the product due to possible risk of injury.
- Do not use this item if any components are missing or damaged.
- It is recommended that before moving heavy objects to a new location they are completely dis-assembled to avoid personal injury or damage to the furniture. Please be careful to retain all fittings when doing this.
- This product is suitable for children aged 3 - 12 years.
- This product complies with BS EN 71-3:2013+A1:2014, BS EN 14749:2016 and BS 4875-7:2006.

If you require any additional information or have any issues with this product please call the John Lewis helpline on 01244 689949 or email mail@fwgroup-uk.com

John Lewis Partnership 171 Victoria Street, London, SW1E 5NN

www.johnlewis.com