

Recommended bulb:

1 x 3-6W BC energy efficient LED GLS bulb
or
1 x 28 W BC eco halogen GLS bulb
Bulb not included

Specifications:

Max. power: 40W
Voltage: 220-240V~ 50/60Hz
Weight: 1.16kg



Please retain these instructions for future reference.

This symbol  indicates that this product should not be treated as normal household waste and it should be recycled. John Lewis do not operate instore take back, but as members of the Distributor Take Back scheme have funded the development and upgrade of recycling facilities across the UK. Please take it to your nearest collection facility or for further details contact your local council or visit www.recycle-more.co.uk.

We have taken great care to ensure that this product reaches you in perfect condition. However, should any parts be damaged or missing please e-mail lightingparts@JLSpares.co.uk

Trouble Shooting:

Why is the light not working when switched on?

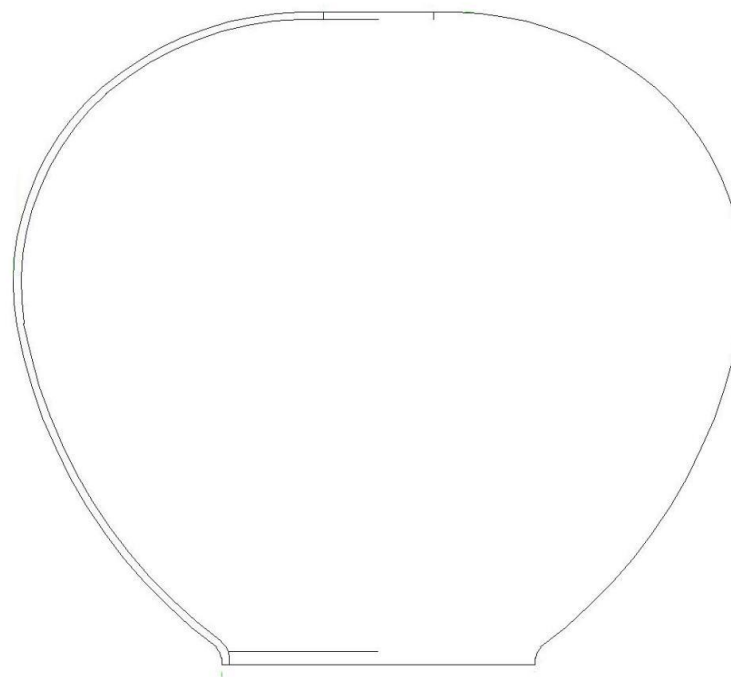
Check your power supply is switched on
Turn off light and check that the bulb is inserted correctly
Check the bulb is still in working order.

John Lewis Partnership
171 Victoria Street
London SW1E 5NN
johnlewis.com

Made in China

John Lewis

User manual
Wren smoked glass
Easy fit



Thank you for purchasing this Wrenn glass easy fit.
Please read the instructions carefully before use to ensure safe and satisfactory operation of this product.
Please keep these instructions for future reference.

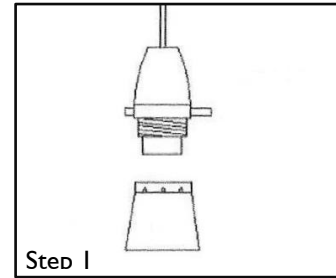
Warnings!

Ensure the electricity is switched off at the fuse board.
Allow the existing bulb to cool down before handling
Ensure the lamp holder is in good condition and is not damaged before installing the easy fit shade.
Ensure the lamp holder cable is able to support the weight of the easy fit shade.

Care instructions

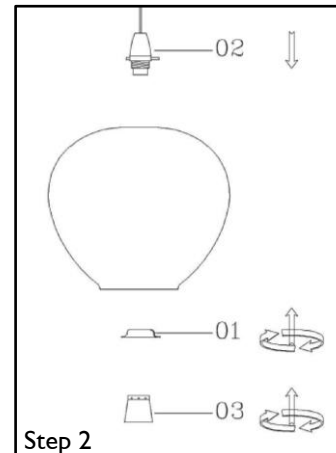
We recommend cleaning with a soft dry cloth.
Do not use abrasive materials as these will damage the finish.
Indoors use only.

Assembly

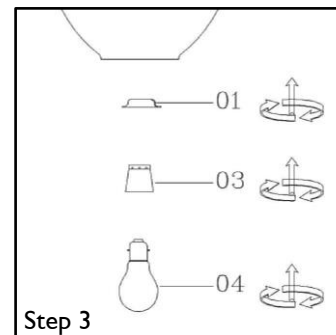


Ensure the electricity is switched off at the fuse board.

Step 1
Remove the light bulb from the lamp holder (allow the bulb to cool down before handling).
Remove shade ring from lamp holder.



Step 2
Place top ring of the fitting over lamp holder, then secure fitting to lamp holder by replacing shade ring.
Ensure the shade ring is firmly screwed to lamp holder.



Step 3
Attach the correct type and wattage bulb to the lamp holder (bulb not included)

Switch on the electricity supply at the fuse board.