

Contents

1 Instructions	38
1.1 General safety instructions	38
1.2 Manufacturer liability	41
1.3 Appliance purpose	41
1.4 Disposal	42
1.5 Identification plate	42
1.6 This user manual	42
1.7 How to read the user manual	43
2 Description	44
2.1 General Description	44
2.2 Symbols	45
3 Use	46
3.1 Instructions	46
3.2 First use	46
3.3 Using the hob	47
4 Cleaning and maintenance	50
4.1 Instructions	50
4.2 Cleaning the appliance	50
5 Installation	52
5.1 Safety instructions	52
5.2 Section cut from the countertop	52
5.3 Mounting	54
5.4 Fixing using brackets	56
5.5 Gas connection	57
5.6 Adaptation to different types of gas	59
5.7 Electrical connection	69
5.8 Instructions for the installer	70

These instructions apply only to the destination countries listed on the appliance's data plate.

This is a class 3 built-in hob.

We advise you to read this manual carefully, as it contains all the instructions for maintaining the appliance's aesthetic and functional qualities.

For further information on the product: www.smeg.com



1 Instructions

1.1 General safety instructions

Risk of personal injury

- During use the appliance and its accessible parts become very hot. Never touch the heating elements during use.
- Protect your hands by wearing oven gloves when moving food inside the oven.
- Never try to put out a fire or flames with water: turn off the appliance and smother the flames with a fire blanket or other appropriate cover.
- This appliance may be used by children aged at least 8 and by people of reduced physical, sensory or mental capacity, or lacking in experience in the use of electrical appliances, provided that they are supervised or instructed by adults who are responsible for their safety.
- Children must never play with the appliance.
- Keep children under the age of 8 at a safe distance unless they are constantly supervised.
- Keep children under the age of 8 away from the appliance when it is in use.
- Cleaning and maintenance must not be carried out by unsupervised children.
- Make sure that the flame-spreader crowns are correctly positioned in their seats with their respective burner caps.
- Be aware of how rapidly the cooking zones heat up. Do not place empty pans on the heat. Danger of overheating.
- Fats and oils can catch fire if they overheat. Do not leave the appliance unattended while preparing foods containing oils or fats. If fats or oils catch fire, never put water on them. Place the lid on the pan and turn off the relevant cooking zone.
- Cooking process should always be kept under control. A short cooking process must be continuously surveyed.



- While cooking do not place metal objects, such as cutlery or dishes on the hob surface as they may overheat.
- Do not insert pointed metal objects (cutlery or utensils) into the slots in the appliance.
- Do not pour water directly on very hot trays.
- Do not use aerosols in the vicinity of this appliance whilst it is in use.
- Switch off the appliance after use.
- Do not modify this appliance.
- Do not try to repair the appliance yourself or without the intervention of a qualified technician.
- Do not pull the cable to remove the plug.
- If the power supply cable is damaged, contact technical support immediately and they will replace it.

Risk of damaging the appliance

- Do not sit on the appliance.
- Do not use steam jets to clean the appliance.
- Do not obstruct ventilation openings and heat dispersal slots.
- Never leave the appliance unattended during cooking operations where fats or oils could overheat and take fire. Be very careful.
- Never leave objects on the cooking surface.
- Do not use the appliance to heat rooms for any reason.
- Do not spray any spray products near the oven.
- Do not use plastic cookware or containers for cooking.
- Cooking vessels or griddle plates should be placed inside the perimeter of the hob.
- All pans must have smooth, flat bottoms.
- If any liquid does boil over or spill, remove the excess from the hob.



Instructions

- Take care not to spill acid substances such as lemon juice or vinegar on the hob.
- Do not put empty pans or frying pans on switched on cooking zones.
- Do not use steam jets to clean the appliance.
- Do not use rough or abrasive materials or sharp metal scrapers.
- Do not use cleaning products containing chlorine, ammonia or bleach on parts made of steel or that have metallic surface finishes (e.g. anodizing, nickel- or chromium-plating).
- Do not use abrasive or corrosive detergents (e.g. scouring powders, stain removers and metallic sponges) on glass parts.
- Do not wash the removable components such as the hob grids, flame-spreader crowns and burner caps in a dishwasher.
- Position the appliance into the cabinet cut-out with the help of a second person.
- To prevent any possible overheating, the appliance should not be installed behind a decoration door or a panel.
- Before any operation on the appliance (installation, maintenance, positioning or movement) always wear PPM.
- Before performing any operation on the appliance, switch off the power supply.
- Have qualified personnel carry out installation and assistance interventions according to the standards in force.
- Have the gas connection performed by authorised staff.
- Installation using a hose must be carried out so that the length of the hose does not exceed 2 metres when fully extended for steel hoses and 1.5 metres for rubber hoses.
- The hoses should not come into contact with moving parts and should not be crushed in any way.

Installation

- This appliance **must not be installed** in a boat or caravan.
- This appliance must not be installed on a pedestal.



- If required, use a pressure regulator that complies with current regulations.
- After carrying out any operation, check that the tightening torque of gas connections is between 10 Nm and 15 Nm.
- At the end of the installation, check for any leaks with a soapy solution, never with a flame.
- Have the electrical connection performed by authorised technicians.
- The appliance must be connected to ground in compliance with electrical system safety standards.
- Use cables withstanding a temperature of at least 90°C.
- The tightening torque of the screws of the terminal board leads must be 1.5 - 2 Nm.
- If it is necessary to replace the power cable, this must only be performed by a qualified technician.

1.2 Manufacturer liability

The manufacturer declines all liability for damage to persons or property caused by:

- use of the appliance other than the one envisaged,
- failure to comply with the instructions in the user manual,
- tampering with any part of the appliance,
- use of non-original spare parts.

1.3 Appliance purpose

- This appliance is intended for cooking food in the home environment. Every other use is considered inappropriate.
- The appliance is not designed to operate with external timers or with remote-control systems.



Instructions

1.4 Disposal



This appliance must be disposed of separately from other waste (Directives 2002/95/EC, 2002/96/EC, 2003/108/EC). The appliance does not contain substances in quantities sufficient to be considered hazardous to health and the environment, in accordance with current European directives. To dispose of the appliance:



Power voltage Danger of electrocution

- Disconnect the mains power supply.
- Unplug the appliance.
- Cut the power supply cable and remove it along with the plug.
- Deliver the appliance to the appropriate recycling centre for electrical and electronic equipment waste, or return it to the retailer when purchasing an equivalent product, on a one for one basis.

Our appliances are packaged in non-polluting and recyclable materials.

- Deliver the packing materials to the appropriate recycling centre.



Plastic packaging Danger of suffocation

- Do not leave the packaging or any part of it unattended.
- Do not let children play with the packaging plastic bags.

1.5 Identification plate

The identification plate bears the technical data, serial number and brand name of the appliance. Do not remove the identification plate for any reason.

1.6 This user manual

This user manual is an integral part of the appliance and must therefore be kept in its entirety and within the user's reach for the whole working life of the appliance. Read this user manual carefully before using the appliance.



1.7 How to read the user manual

This user manual uses the following reading conventions:

Instructions



General information on this user manual, on safety and final disposal.

Description



Description of the appliance and its accessories.

Use



Information on the use of the appliance and its accessories.

Cleaning and maintenance



Information for proper cleaning and maintenance of the appliance.

Installation



Information for the qualified technician: Installation, operation and inspection.



Safety instructions



Information



Advice

1. Sequence of instructions for use.

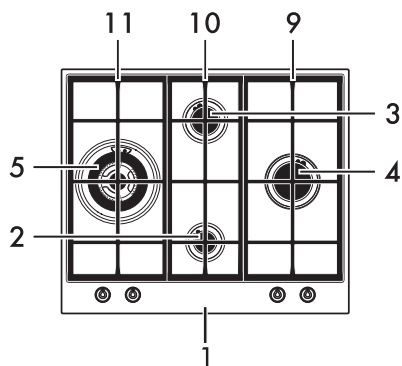
- Standalone instruction.



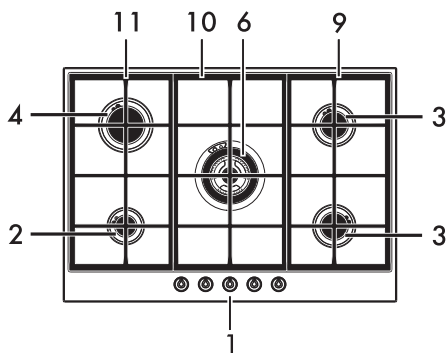
Description

2 Description

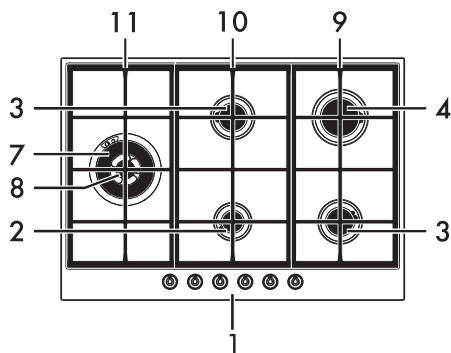
2.1 General Description



60 cm



70 cm central UR



70 cm side UR

1. Control panel
2. Auxiliary burner (AUX)
3. Semi-rapid burner (SR)
4. Rapid burner reduced (RR)
5. Ultra-rapid triple crown burner (UR)
6. Ultra-rapid triple crown burner (UR*)

7. Ultra-rapid burner with external crown (UR2 ext.)
8. Ultra-rapid burner with internal crown (UR2 int.)
9. Right grid
10. Central grid
11. Left grid

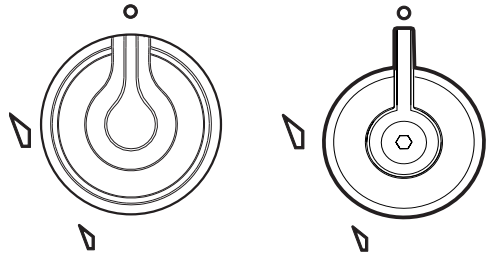






2.2 Symbols

Cooking zones

- Front left
- Centre left
- Rear left
- Central
- Rear right
- Central right
- Front right
- Internal lateral
- External lateral

Burner knobs



Used for lighting and adjusting the hob burners. Press and turn the knobs anti-clockwise to  in order to light the relative burners. Turn the knobs to the zone between the maximum  and minimum  setting to adjust the flame. Return the knobs to the position  to turn off the burners.



3 Use

3.1 Instructions



Improper use Danger of burns

- Make sure that the flame-spreader crowns are correctly positioned in their seats with their respective burner caps.
- Oils and fats could catch fire if overheated. Be very careful.
- Do not leave the appliance unattended during cooking operations where fats or oils could be released.
- Do not spray any spray product near the appliance.
- Do not touch the appliance's heating elements when it is running. Leave them to cool before cleaning.
- Keep children under the age of 8 away from the appliance when it is in use.



Improper use Risk of damage to surfaces


- Do not use aluminium foil to cover the burners or hob body.
- Cooking vessels or griddle plates should be placed inside the perimeter of the hob.
- All pans must have smooth, flat bottoms.
- If any liquid does boil over or spill, remove the excess from the hob.
- It is not recommended to use earthenware or steatite (soapstone) pans to cook or heat food.

3.2 First use


1. Remove any protective film from the outside or inside of the appliance, including accessories.
2. Remove any labels (apart from the technical data plate) from accessories.
3. Remove and wash all the appliance's accessories (see 4 Cleaning and maintenance).



3.3 Using the hob

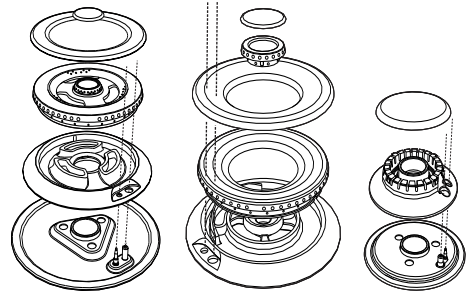
All the appliance's control and monitoring devices are located together on the front panel. The burner controlled by each knob is shown next to the knob. The appliance is equipped with an electronic ignition device. Simply press the knob and turn it anti-clockwise to the maximum flame symbol, until the burner ignites. If the burner does not light in the first 15 seconds, turn the knob to  and wait 60 seconds before trying again. After lighting, keep the knob pressed in for a few seconds to allow the thermocouple to heat up. The burner may go out when the knob is released: In this case, the thermocouple has not heated up sufficiently. Wait a few moments and repeat the operation. Keep the knob pressed in longer.



In case of an accidental switching off, a safety device will be tripped, cutting off the gas supply, even if the gas cock is open. Return the knob to  and wait at least 60 seconds before lighting it again.

Correct positioning of the flame-spreader crowns and burner caps

Before lighting the hob burners, make sure that the flame-spreader crowns are correctly positioned in their seats with their respective burner caps. Make sure that the holes in the burners are aligned with the igniters and thermocouples. Also ensure that the flame-spreader crowns are correctly engaged in the burner holes.

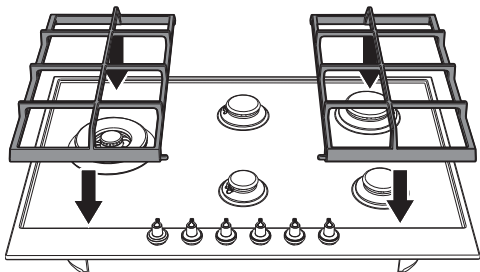




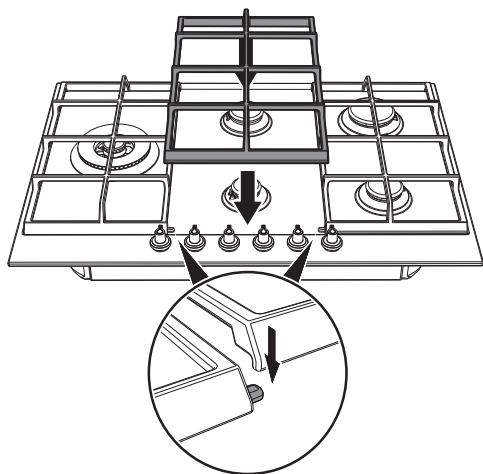
Correct positioning of the grids

To install the grids follow the instructions and the following figures.

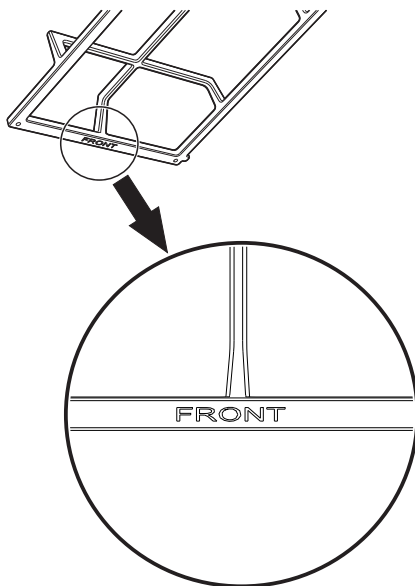
1. Lay the lateral grids on the hob paying attention to position the front teeth facing the knobs.



2. Lay the centre grid engaging the notches in the teeth of the lateral grids.



In addition, pay attention to the mark "FRONT" under each grid at the front, as a further help to correctly position the grids on the hob.



- Position the grids so that the marks "FRONT" are facing the hob knobs.



Practical tips for using the hob

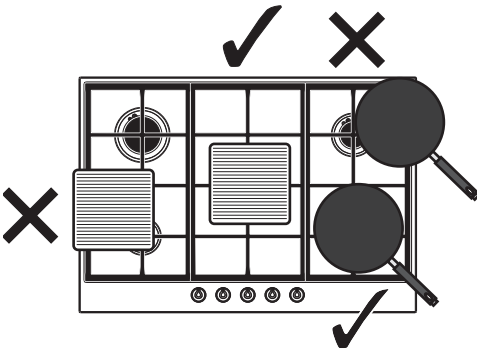
For better burner efficiency and to minimise gas consumption, use pans with lids and of suitable size for the burner, so that the flames do not reach up the sides of the pan. Once the contents come to the boil, turn down the flame far enough to ensure that the liquid does not boil over.



Cookware diameters:

- Aux.: 12 - 18 cm.
- Semi rapid: 14 - 24 cm.
- Rapid: 20 - 26 cm.
- Ultra-rapid: 20 - 30 cm.

To prevent burns or damage to the hob or the counter top during cooking, all pans or griddles must be placed inside the perimeter of the hob.



Using a griddle



A few precautions are necessary if you wish to use a griddle:

- The griddle can be pre-heated with the burner on maximum power for no more than 10 minutes.
- Do not allow the burner flames to extend beyond the edge of the griddle.
- Leave a gap of at least 160 mm between the edge of the griddle and the side wall.
- Do not place the griddle over more than one burner at the same time.
- The griddles should not exceed the perimeter of the hob.
- If one of the burners close to the wooden rear wall is an ultra-rapid burner ("5", "6" or "7 + 8" see chapter 2.1), leave a gap of at least 160 mm between this wall and the edge of the griddle;
- It is not recommended to use earthenware or steatite (soapstone) pans to cook or heat food;
- Never use the griddle for more than 40 minutes.



4 Cleaning and maintenance

4.1 Instructions



Improper use

Risk of damage to surfaces

- Do not use steam jets to clean the appliance.
- Do not use cleaning products containing chlorine, ammonia or bleach on parts made of steel or that have metallic surface finishes (e.g. anodizing, nickel- or chromium-plating).
- If it comes into contact with aggressive detergents, hard water or spills (cooking water, sauces, coffee, etc.), clean immediately after having let the hob cool down.
- Do not use abrasive or corrosive detergents (e.g. scouring powders, stain removers and metallic sponges) on glass parts.
- Do not use rough or abrasive materials or sharp metal scrapers.
- Do not wash the removable components such as the hob grids, flame-spreader crowns and burner caps in a dishwasher.

4.2 Cleaning the appliance

To keep the surfaces in good condition, they should be cleaned regularly after use. Let them cool first.

Ordinary daily cleaning

Always use specific products only that do not contain abrasives or chlorine-based acids.

Pour the product onto a damp cloth and wipe the surface, rinse thoroughly and dry with a soft cloth or a microfibre cloth.

Food stains or residues

Do not use steel sponges and sharp scrapers, as they will damage the surfaces.

Use normal, non-abrasive products and a wooden or plastic tool, if necessary. Rinse thoroughly and dry with a soft cloth or a microfibre cloth.

Do not allow residues of sugary foods (such as jam) to set inside the oven. If left to set for too long, they might damage the enamel lining of the oven.



Cooking hob grids

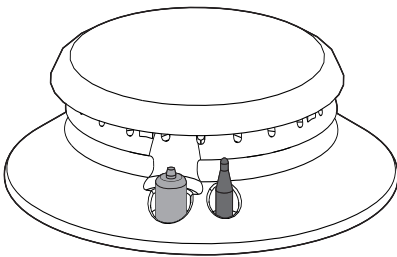
Remove the grids and clean them in lukewarm water and non-abrasive detergent. Make sure to remove any encrustations. Dry them thoroughly and return them to the hob.



The continuous contact between the grids and the flame can cause modifications to the enamel over time in those parts exposed to heat. This is a completely natural phenomenon which has no effect on the operation of this component.

Igniters and thermocouples

For correct operation the igniters and thermocouples must always be perfectly clean. Check them frequently and clean them with a damp cloth if necessary. Remove any dry residues with a wooden toothpick or a needle.



Flame-spreader crowns and burner caps

For easier cleaning, the flame-spreader crowns and the burner caps can be removed.

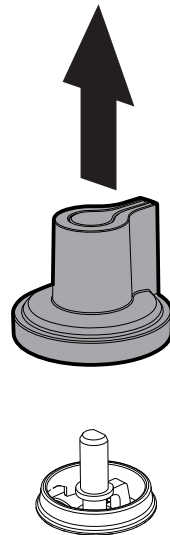
Wash them in hot water and non-abrasive detergent. Carefully remove any encrustation, then wait until they are perfectly dry. Refit the flame-spreader crowns making sure that they are correctly positioned in their housings with their respective burner caps.

Knobs



Do not use aggressive products containing alcohol or products for cleaning steel and glass when cleaning the knobs, as these products could cause permanent damage.

The knobs should be cleaned with a soft cloth dampened with warm water, then dried carefully. They can easily be removed by pulling them upwards.





Installation

5 Installation

5.1 Safety instructions



Heat production during appliance operation
Risk of fire

- Make sure that the cabinet material is heat resistant.
- Check that the cabinet has the required slots.

Veneers, adhesives or plastic coatings on adjacent furniture should be temperature-resistant (>90°C), otherwise they might warp over time.



The minimum clearance between a ventilation hood and the cooking surface must be at least the distance indicated in the ventilation hood installation instructions.

The minimum clearances must also be respected for the edges of the hob on the back as indicated in the mounting illustrations.

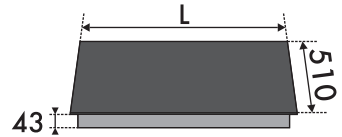
5.2 Section cut from the countertop



The following operation requires building and/or carpentry work and must therefore be carried out by a competent tradesman.

Installation can be carried out on various materials such as masonry, metal, solid wood or plastic laminated wood as long as they are heat resistant (>90°C).

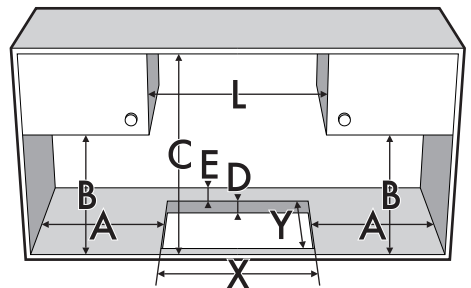
Create an opening with the dimensions shown in the figure in the countertop of the piece of furniture.



L (cm)	X (mm)	Y (mm)
60 - 70 C	555 - 560	478 - 482
70 L	655 - 660	478 ÷ 482

L: 70 cm models with lateral UR

C: 70 cm models with central UR.



A (mm)	B (mm)	C (mm)*	D (mm)	E (mm)
min 150	min 460	min 750	20 - 40	min 50

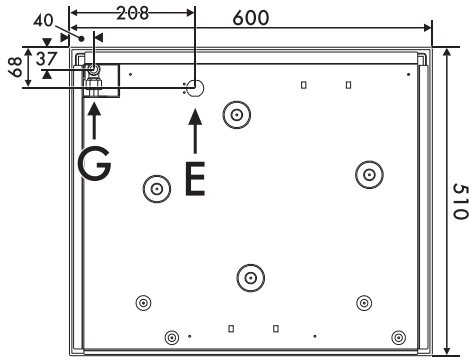
* If there is a piece of furniture above the hob. In case of hood, refer to the values on the dedicated manual.

Installation



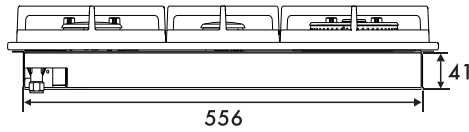
Overall dimensions: gas and electrical connection location (measures in mm)

60 cm models:

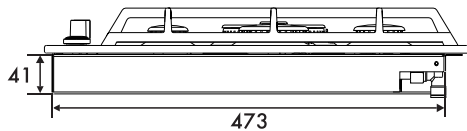


View from the bottom

G Gas connection
E Electrical connection

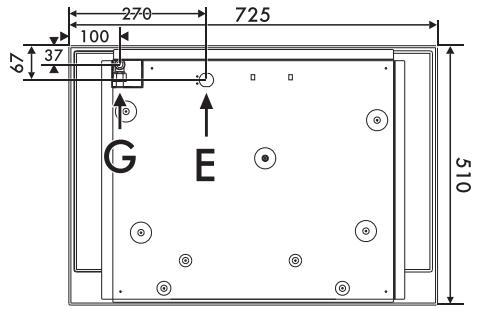


Rear view



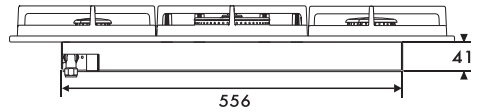
Right view

70 cm models with central UR:

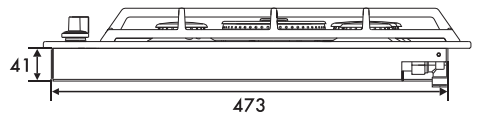


View from the bottom

G Gas connection
E Electrical connection



Rear view



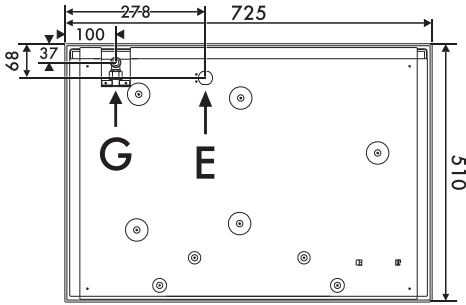
Right view

EN



Installation

70 cm models with lateral UR:



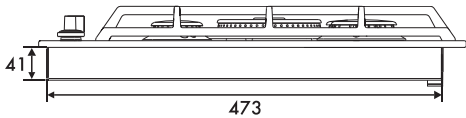
G Gas connection

E Electrical connection

View from the bottom



Rear view

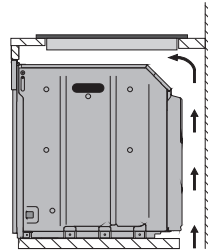


Right view

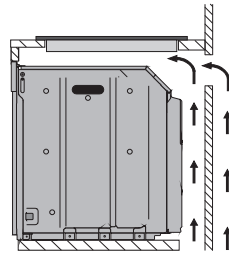
5.3 Mounting

Over built-in oven unit

The clearance between the hob and the kitchen furniture or other installed appliances must be enough to ensure sufficient ventilation and air discharge. If installed above an oven, a space must be left between the bottom of the hob and the top of the appliance installed below.



opens on bottom



opens on bottom and on rear

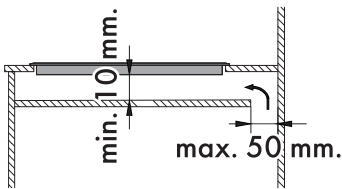
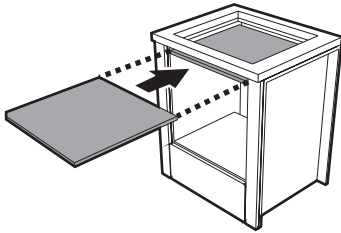


If installed on top of an oven, the latter must be equipped with a cooling fan.

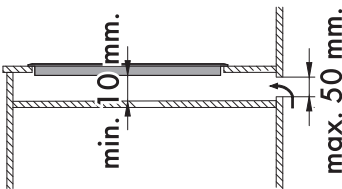


Over empty kitchen unit or drawers

If there are other pieces of furniture (lateral walls, drawers, etc.), dishwashers or fridges under the hob, a double-layer wooden base must be installed at least **10 mm** from the bottom of the hob to avoid any accidental contact. It must only be possible to remove the double-layer base using suitable equipment.



opens on bottom



opens on rear

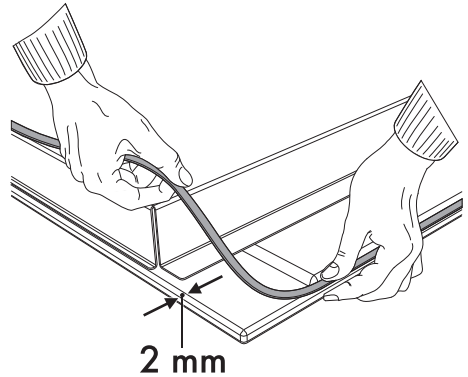


Failure to install the double-layer wooden base exposes the user to possible accidental contact with sharp or hot parts.

Hob seal

To prevent leakage of liquid between the frame of the hob and the work surface, put the insulating seal provided in position before assembly.

1. Apply the seal provided along the outer edge of the appliance surface.



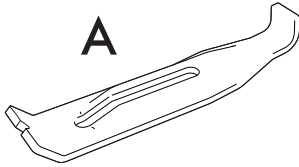
2. Lay the appliance in the hole on the work top (chapter 5.2 "Section cut from the work surface").



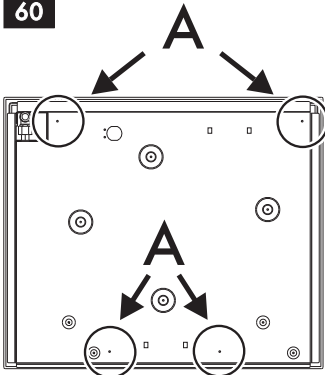
Installation

5.4 Fixing using brackets

The figures below show the exact holes to be used to correctly attach the hob to the counter top with brackets.

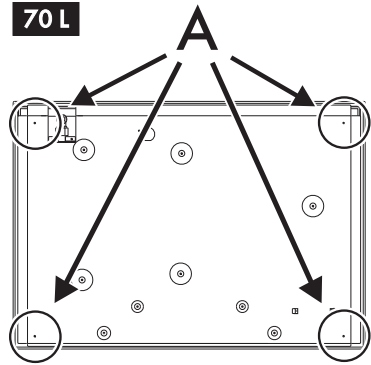


60



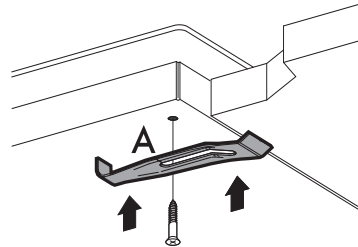
60 cm models

70 L

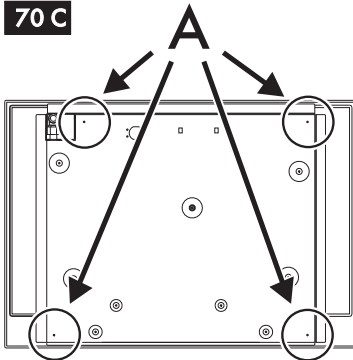


70 cm models with lateral UR

Screw the fixing brackets (A) into the holes on the sides of the bottom casing to properly fasten the hob to the structure.



70 C



70 cm models with central UR



5.5 Gas connection



**Gas leak
Danger of explosion**

- After carrying out any operation, check that the tightening torque of gas connections is between 10 Nm and 15 Nm.
- If required, use a pressure regulator that complies with current regulations.
- At the end of the installation, check for any leaks with a soapy solution, never with a flame.
- The hoses should not come into contact with moving parts and should not be crushed in any way.

General information

Connection to the gas mains can be made using a rigid copper pipe or a continuous wall steel hose in compliance with the provisions established by the applicable standard.

For supplying it with other types of gas, see chapter "5.6 Adaptation to different types of gas". The gas inlet connection is threaded 1/2" external gas (ISO 228-1).

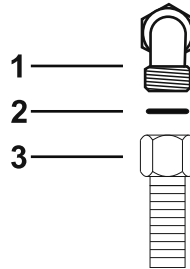


Do not use silicone to secure the hob. This would make it impossible to remove the hob, if necessary, without damaging it.

Connection with a steel hose

Make the connection to the gas mains using a continuous wall steel hose whose specifications comply with the applicable standard.

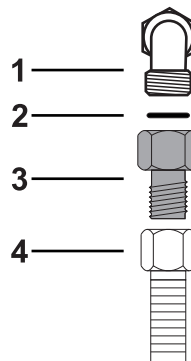
Carefully screw the connector **3** to the gas connector **1** of the appliance, placing the seal **2** between them.



Connection with a steel hose with conical fitting

Make the connection to the gas mains using a continuous wall steel hose whose specifications comply with the applicable standard.

Carefully screw the hose connector **3** to the appliance's gas connector **1** (1/2" thread ISO 228-1), placing the supplied seal **2** between them. Apply insulating material (1/2" ISO 7.1) to the thread of connector **3**, then tighten the steel hose **4** to the connector **3**.

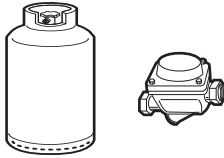




Installation

Connection to LPG

Use a pressure regulator and make the connection on the gas cylinder following the guidelines set out in the standards in force.



The supply pressure must comply with the values indicated in the table "Gas types and Countries".

Room ventilation

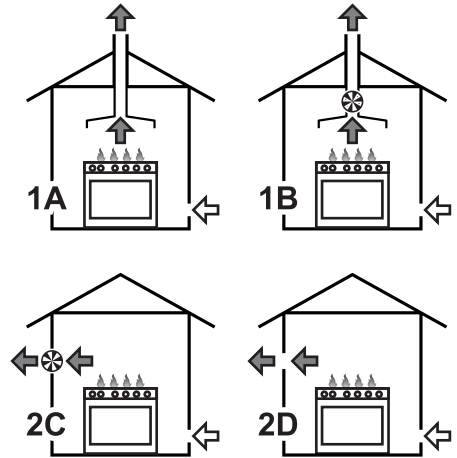
The appliance should be installed in rooms that have a permanent air supply in accordance with the standards in force. The room where the appliance is installed must have enough air flow for the regular combustion of gas and the necessary air change in the room itself. The air vents, protected by grilles, must be the right size to comply with current regulations and positioned so that no part of them is obstructed, not even partially.

The room must be kept adequately ventilated in order to eliminate the heat and humidity produced by cooking: In particular, after prolonged use, you are recommended to open a window or to increase the speed of any fans.

Extraction of the combustion products

The combustion products may be extracted by means of hoods connected to a natural draught chimney whose efficiency is certain or via forced extraction. An efficient extraction system requires precision planning by a specialist qualified in this area and must comply with the positions and clearances indicated by the applicable standards.

When the job is complete, the installer must issue a certificate of conformity.





- 1 Extraction using a hood
- 2 Extraction without a hood

- A Single natural draught chimney
- B Single chimney with extractor fan
- C Directly outdoors with wall- or window-mounted extractor fan
- D Directly outdoors through wall



Air



Combustion products



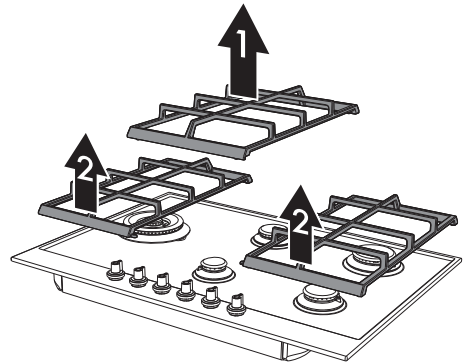
Extractor fan

5.6 Adaptation to different types of gas

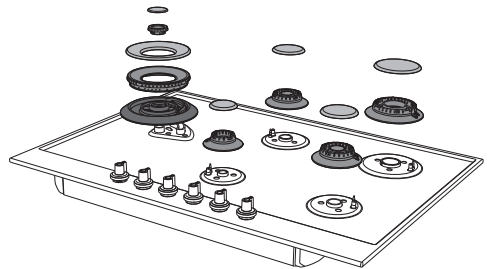
If other types of gas are to be used, the nozzles must be replaced and the primary air must be adjusted. In order to replace the nozzles and adjust the burners, the hob top must be removed.

Removing the hob top

1. Remove the grids from the top; first the centre one than the lateral ones.



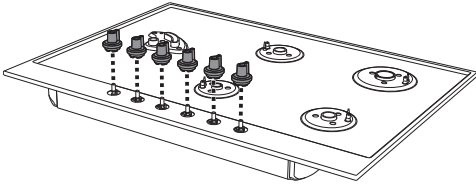
2. Remove the flame-spreader crowns and relative burner caps.



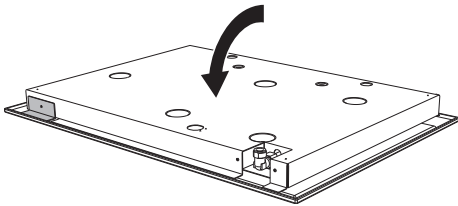


Installation

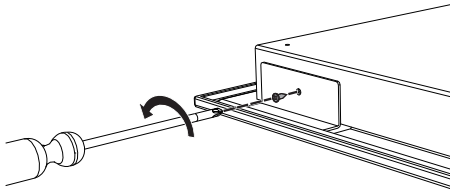
3. Pull the knobs upwards to remove them.



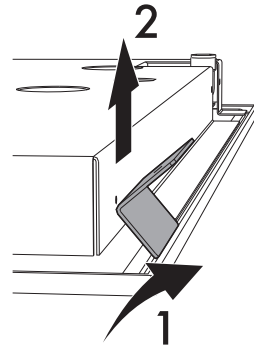
4. **Only for models with lateral UR:** lift the appliance from its housing and turn it upside down.



5. **Only for models with lateral UR:** remove the bracket fixing screw.

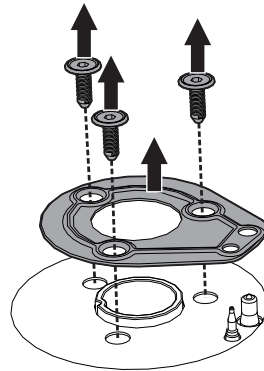


6. **Only for models with lateral UR:** pull out the bracket.



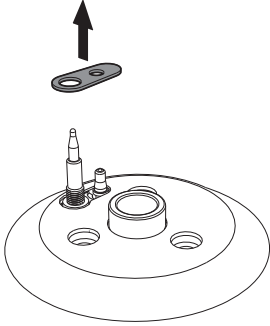
7. **Only for models with lateral UR:** put the appliance back in normal position.

8. For each burner, unscrew the three screws that fix the burner plates to the hob top.

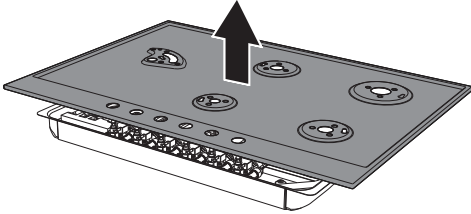




9. Remove the seals from the plugs and thermocouples of each burner.



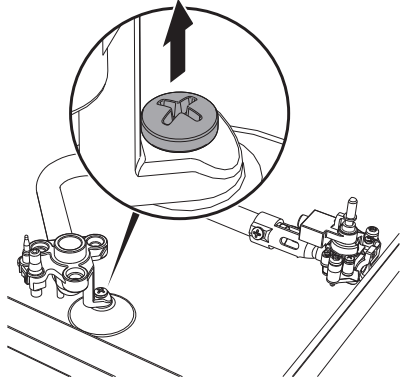
10. Lift the hob top and remove it.



11. To reassemble the appliance, follow the previous instructions in reverse order.

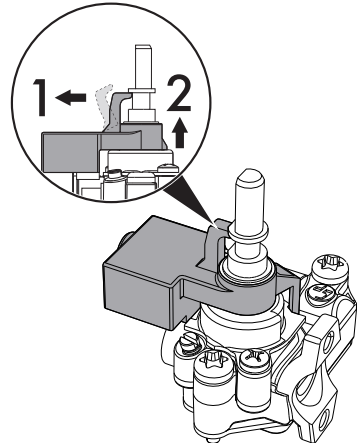
Replacing nozzles

1. Undo the burner work surface fastening screw.



2. Remove the burner work surface and the corresponding gas supply hose.

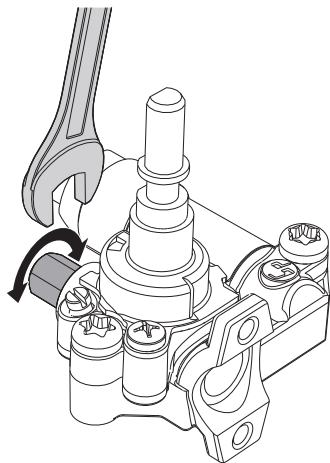
3. Lift the trigger of the microswitch for the gas cock (1) then remove it (2).





Installation

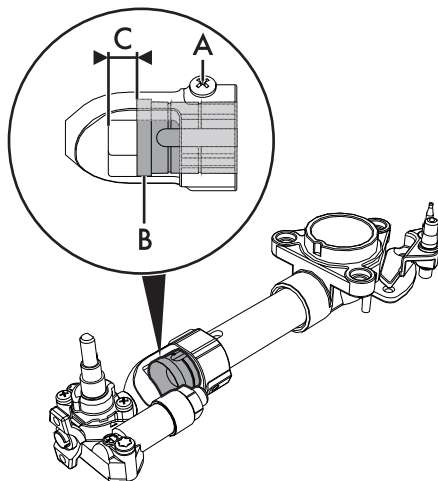
4. Use a 7-mm spanner to remove the nozzle and replace it with the new one for the required gas supply, following the indications given in the relevant tables (see "Gas types and Countries").



Primary air adjustment

After removing the top, proceed as follows:

1. Loosen the screw **A**. Adjust the air flow by moving the air regulator **B** to obtain the distance **C** given in the relevant table (see "Gas types and Countries").



2. After adjusting each burner, reassemble the appliance correctly.

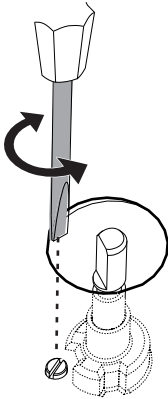


The nozzle tightening torque must be no more than 3 Nm.



Adjusting the minimum setting for natural or town gas

1. Light the burner and turn it to the minimum position.
2. Extract the gas cock knob and turn the adjustment screw next to the tap rod (depending on the model) until the correct minimum flame is achieved.
3. Refit the knob and verify that the burner flame is stable.
4. Turn the knob rapidly from the maximum to the minimum setting: The flame should not go out.
5. Repeat the operation on all gas cocks.



Adjusting the minimum setting for LPG

- Tighten the screw located at the side of the cock rod clockwise all the way.



Following adjustment to a gas other than the one originally set in the factory, replace the gas setting label on the appliance with the one corresponding to the new gas. The label is inserted inside the nozzle pack (where present).

Lubricating the gas cocks

Over time the gas cocks may become difficult to turn and get blocked. Clean them internally and replace the lubrication grease.



Lubrication of the gas cocks should be performed by a specialised technician.



Installation

Gas types and Countries

Gas types		IT	GB-IE	FR-BE	DE	AT	ES	PT	SE	RU	DK	PL	HU
1 Natural gas G20													
G20	20 mbar	•	•			•	•	•	•	•	•		
G20/25	20/25 mbar			•									
2 Natural gas G20													
G20	25 mbar												•
3 Natural gas G25.1													
G25.1	25 mbar												•
4 Natural gas G25													
G25	20 mbar				•								
5 Natural gas G27													
G27	20 mbar											•	
6 Natural gas G2.350													
G2.350	13 mbar											•	
7 LPG G30/31													
G30/31	28/37 mbar		•	•			•			•			
G30/31	30/37 mbar	•						•					
G30/31	30/30 mbar								•		•		
8 LPG G30/31													
G30/31	37 mbar											•	
9 LPG G30/31													
G30/31	50 mbar				•	•							
10 Town gas G110													
G110	8 mbar	•							•		•		
11 Town gas G120													
G120	8 mbar								•				



It is possible to identify the available gas types based on the country the appliance is to be installed in. Refer to the heading number to identify the correct values in the "Burner and nozzle specifications tables".



Burner and nozzle specifications tables

60 cm models:

1	Natural Gas G20 - 20 mbar	AUX	SR	RR	UR
	Rated heating capacity (kW)	1.10	1.80	2.60	3.50
	Nozzle diameter (1/100 mm)	73	95	115	132
	Reduced flow rate (W)	400	500	750	1600
	Primary air (mm)	1	1	1	1
2	Natural Gas G20 - 25 mbar	AUX	SR	RR	UR
	Rated heating capacity (kW)	1.10	1.80	2.60	3.50
	Nozzle diameter (1/100 mm)	73	87	110	126
	Reduced flow rate (W)	400	500	750	1600
	Primary air (mm)	1	1	1	1.5
3	Natural Gas G25.1 - 25 mbar	AUX	SR	RR	UR
	Rated heating capacity (kW)	1.00	1.80	2.60	3.50
	Nozzle diameter (1/100 mm)	76	98	123	145
	Reduced flow rate (W)	400	500	750	1600
	Primary air (mm)	1	1	0.5	1.5
4	Natural Gas G25 - 20 mbar	AUX	SR	RR	UR
	Rated heating capacity (kW)	1.10	1.70	2.60	3.50
	Nozzle diameter (1/100 mm)	82	98	126	145
	Reduced flow rate (W)	400	500	750	1600
	Primary air (mm)	1	1	0.5	0.5
5	Natural Gas G27 - 20 mbar	AUX	SR	RR	UR
	Rated heating capacity (kW)	1.10	1.70	2.60	3.50
	Nozzle diameter (1/100 mm)	82	105	130	150
	Reduced flow rate (W)	400	500	750	1600
	Primary air (mm)	1	1	0.5	0.5
6	Natural Gas G2.350 - 13 mbar	AUX	SR	RR	UR
	Rated heating capacity (kW)	1.10	1.80	2.60	3.50
	Nozzle diameter (1/100 mm)	100	126	160	190
	Reduced flow rate (W)	400	500	750	1600
	Primary air (mm)	1	1	1	1.5



Installation

7	LPG G30/31 - 30/37 mbar	AUX	SR	RR	UR
	Rated heating capacity (kW)	1.10	1.8	2.6	3.5
	Nozzle diameter (1/100 mm)	48	62	76	87
	Reduced flow rate (W)	400	500	750	1600
	Primary air (mm)	1.5	1.5	1.5	2
	Rated flow rate G30 (g/h)	80	131	189	254
	Rated flow rate G31 (g/h)	79	129	186	250
8	LPG G30/31 - 37 mbar	AUX	SR	RR	UR
	Rated heating capacity (kW)	1.10	1.80	2.60	3.50
	Nozzle diameter (1/100 mm)	48	60	73	82
	Reduced flow rate (W)	450	500	800	1600
	Primary air (mm)	1.5	1.5	1.5	2
	Rated flow rate G30 (g/h)	80	131	189	254
	Rated flow rate G31 (g/h)	79	129	186	250
9	LPG G30/31 - 50 mbar	AUX	SR	RR	UR
	Rated heating capacity (kW)	1.10	1.80	2.60	3.50
	Nozzle diameter (1/100 mm)	42	54	67	76
	Reduced flow rate (W)	450	500	850	1800
	Primary air (mm)	1	1.5	1	1.5
	Rated flow rate G30 (g/h)	80	131	189	254
	Rated flow rate G31 (g/h)	79	129	186	250
10	Town gas G110 - 8 mbar	AUX	SR	RR	UR
	Rated heating capacity (kW)	1.10	1.80	2.60	3.50
	Nozzle diameter (1/100 mm)	132	165	210	270
	Reduced flow rate (W)	400	500	750	1400
	Primary air (mm)	0.5	1	0.5	1
11	Town gas G120 - 8 mbar	AUX	SR	RR	UR
	Rated heating capacity (kW)	1.10	1.80	2.60	3.50
	Nozzle diameter (1/100 mm)	126	160	200	250
	Reduced flow rate (W)	400	500	750	1400
	Primary air (mm)	0.5	1	0.5	1.5

The nozzles not provided are available at Authorised Service Centres.



70 cm models:

1	Natural Gas G20 - 20 mbar	AUX	SR	RR	UR*	UR2 int.	UR2 ext.
	Rated heating capacity (kW)	1.10	1.80	2.60	4.0	1.10	3.10
	Nozzle diameter (1/100 mm)	73	95	115	140	73	123
	Reduced flow rate (W)	400	500	750	1800	400	1400
	Primary air (mm)	1	1	1	1	1.5	1
2	Natural Gas G20 - 25 mbar	AUX	SR	RR	UR*	UR2 int.	UR2 ext.
	Rated heating capacity (kW)	1.10	1.80	2.60	4.0	1.10	3.10
	Nozzle diameter (1/100 mm)	73	87	110	132	73	120
	Reduced flow rate (W)	400	500	750	1800	400	1400
	Primary air (mm)	1	1	1	1	1.5	1.5
3	Natural Gas G25.1 - 25 mbar	AUX	SR	RR	UR*	UR2 int.	UR2 ext.
	Rated heating capacity (kW)	1.10	1.80	2.60	4.0	1.0	3.20
	Nozzle diameter (1/100 mm)	76	98	123	150	76	135
	Reduced flow rate (W)	400	500	750	1800	400	1400
	Primary air (mm)	1	1	0.5	1	1	1
4	Natural Gas G25 - 20 mbar	AUX	SR	RR	UR*	UR2 int.	UR2 ext.
	Rated heating capacity (kW)	1.10	1.70	2.60	4.00	1.10	3.10
	Nozzle diameter (1/100 mm)	82	98	126	155	82	140
	Reduced flow rate (W)	400	500	750	1800	400	1400
	Primary air (mm)	1	1	0.5	1	1	1
5	Natural Gas G27 - 20 mbar	AUX	SR	RR	UR*	UR2 int.	UR2 ext.
	Rated heating capacity (kW)	1.10	1.70	2.60	4.0	1.10	3.10
	Nozzle diameter (1/100 mm)	82	105	130	160	82	145
	Reduced flow rate (W)	400	500	750	1800	400	1400
	Primary air (mm)	1	1	0.5	1	1	1
6	Natural Gas G2.350 - 13 mbar	AUX	SR	RR	UR*	UR2 int.	UR2 ext.
	Rated heating capacity (kW)	1.10	1.80	2.60	4.0	1.10	3.10
	Nozzle diameter (1/100 mm)	100	126	160	200	48	85
	Reduced flow rate (W)	400	500	750	1800	400	1400
	Primary air (mm)	1	1	1	1.5	1.5	10



Installation

7	Gas Liquido G30/31 - 30/37 mbar	AUX	SR	RR	UR*	UR2 int.	UR2 ext.
	Portata termica nominale (kW)	1.10	1.80	2.60	4.0	1.10	3.10
	Diametro ugello (1/100 mm)	48	62	76	95	48	85
	Portata ridotta (W)	400	500	750	1800	400	1400
	Aria primaria (mm)	1.5	1.5	1.5	3	1.5	10
	Portata nominale G30 (g/h)	80	131	189	291	80	225
	Portata nominale G31 (g/h)	79	129	186	286	79	221
8	Gas Liquido G30/31 - 37 mbar	AUX	SR	RR	UR*	UR2 int.	UR2 ext.
	Portata termica nominale (kW)	1.10	1.80	2.60	4.0	0.90	3.20
	Diametro ugello (1/100 mm)	48	60	73	89	45	80
	Portata ridotta (W)	450	500	800	1850	450	1400
	Aria primaria (mm)	1.5	1.5	1.5	3	2	5
	Portata nominale G30 (g/h)	80	131	189	291	65	233
	Portata nominale G31 (g/h)	79	129	186	286	64	229
9	Gas Liquido G30/31 - 50 mbar	AUX	SR	RR	UR*	UR2 int.	UR2 ext.
	Portata termica nominale (kW)	1.10	1.80	2.60	4.0	1.10	3.10
	Diametro ugello (1/100 mm)	42	54	67	82	42	73
	Portata ridotta (W)	450	550	850	1850	450	1400
	Aria primaria (mm)	1	1.5	1	2	2	5
	Portata nominale G30 (g/h)	80	131	189	291	80	225
	Portata nominale G31 (g/h)	79	129	186	286	79	221
10	Gas Città G110 - 8 mbar	AUX	SR	RR	UR*	UR2 int.	UR2 ext.
	Portata termica nominale (kW)	1.10	1.80	2.60	4.0	1.10	3.10
	Diametro ugello (1/100 mm)	132	165	210	290	132	240
	Portata ridotta (W)	400	500	750	1400	400	1400
	Aria primaria (mm)	0.5	1	0.5	1.5	1	1
11	Gas Città G120 - 8 mbar	AUX	SR	RR	UR*	UR2 int.	UR2 ext.
	Portata termica nominale (kW)	1.10	1.80	2.60	4.0	1.10	3.10
	Diametro ugello (1/100 mm)	126	160	200	270	126	230
	Portata ridotta (W)	400	500	750	1400	400	1400
	Aria primaria (mm)	0.5	1	0.5	1.5	1	1

The nozzles not provided are available at Authorised Service Centres.



5.7 Electrical connection



**Power voltage
Danger of electrocution**

- Have the electrical connection performed by authorised technicians.
- Use personal protective equipment.
- The appliance must be connected to ground in compliance with electrical system safety standards.
- Disconnect the mains power supply.
- Do not pull the cable to remove the plug.
- Use cables withstanding a temperature of at least 90°C.
- The tightening torque of the screws of the terminal board leads must be 1.5 - 2 Nm.

General information

Check the mains characteristics against the data indicated on the plate.

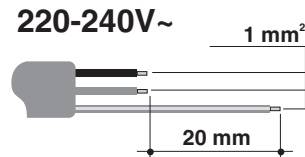
The identification plate bearing the technical data, serial number and brand name is visibly positioned on the appliance.

Do not remove this plate for any reason.

Perform the ground connection using a wire that is 20 mm longer than the other wires.

The appliance can work in the following modes:

- **220-240 V 1N~**



3 x 1 mm² three-pole cable.



The values indicated above refer to the cross-section of the internal lead.

Fixed connection

Fit the power line with an omnipolar circuit breaker in compliance with installation regulations.

The circuit breaker should be located near the appliance and in an easily reachable position.



Installation

Connection with plug and socket

Make sure that the plug and socket are of the same type.

Avoid using adapters, gang sockets or extensions as these could cause overheating and a risk of burns.

Testing

At the end of installation, carry out a brief inspection test. If the hob fails to operate, after checking that you have carried out the instructions correctly, unplug the appliance and contact Technical Support.

5.8 Instructions for the installer

- The plug must be accessible after installation. Do not bend or trap the power cable.
- The appliance must be installed according to the installation diagrams.
- Do not try to unscrew or force the threaded elbow of the fitting. You may damage this part of the appliance, which may void the manufacturer's warranty.
- Use soap and water to check for gas leaks on all connections. **DO NOT** use naked flames to find leaks.
- Turn on all the burners separately and at then all together to make sure that the gas valve, burner and ignition are working properly.
- Turn the burner knobs to the minimum position and check that the flame is stable for each individual burner and all the burners together.
- If the appliance does not work correctly after having carried out all the checks, contact your local Authorised Service Centre.
- Once the appliance has been installed, please explain to the user how to use it correctly.