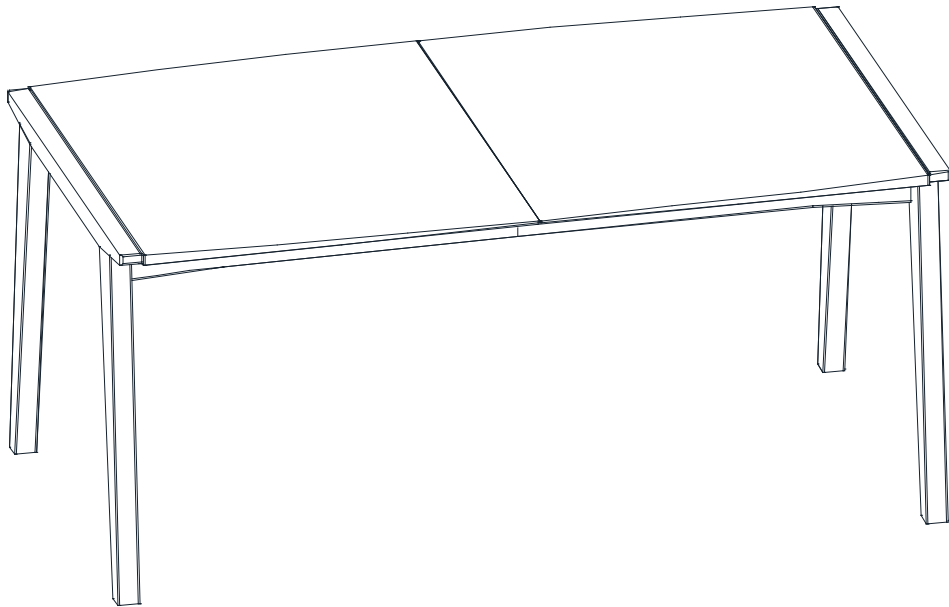


JOHN
LEWIS
& PARTNERS

Duhrer Extending Dining Table

Stock Number: 836 03703



YNG TAL 14 / DMT3 D: 26.11.2019 / RN 006.

H75 W169 D95cm

Thank you for purchasing the Duhrer Extending Dining Table Please read the instructions and warnings carefully before use, to ensure safe and satisfactory operation of this product.

At John Lewis, we are committed to making great products possible.

From our in-house Design Team, to our Buyers, we work together to bring great design to life.

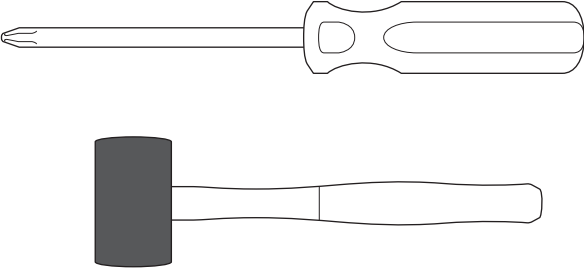
Our expert Product Technologists work collaboratively with our buyers and suppliers to assure the legality, safety and quality of the product we sell.

We are all committed to designing and developing products to the highest industry standards.

We hope you are happy with your product and welcome any feedback or comments you may have.

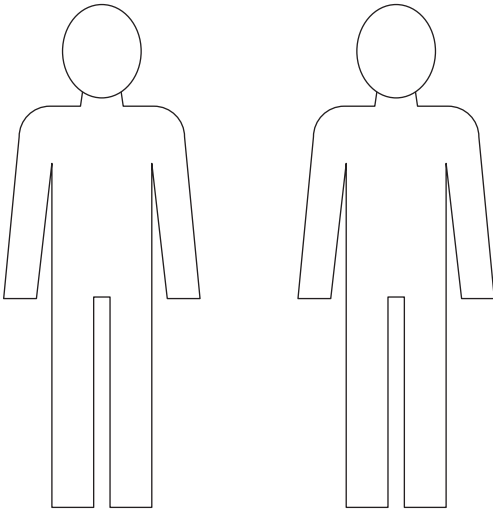
The John Lewis Team

Tools Required



Time to assemble
1 hour

People to assemble



Important safety information

Warnings

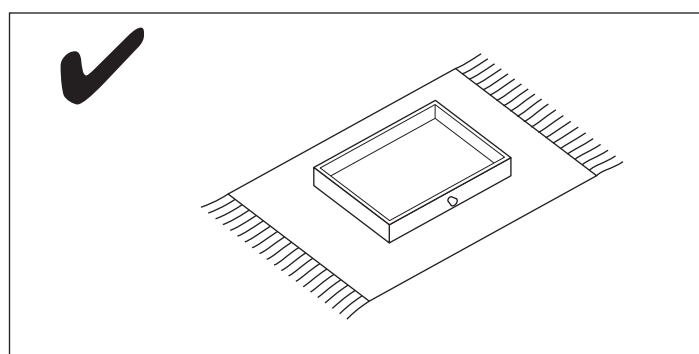
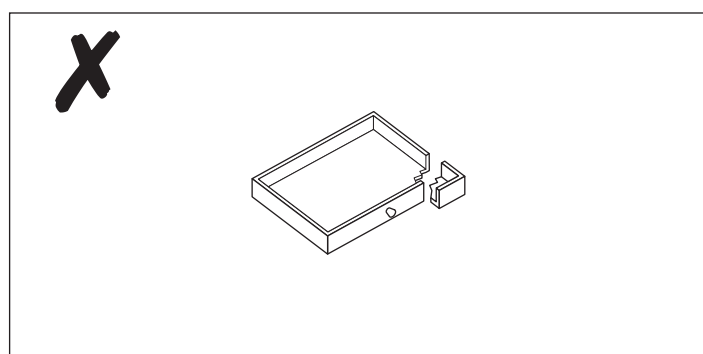
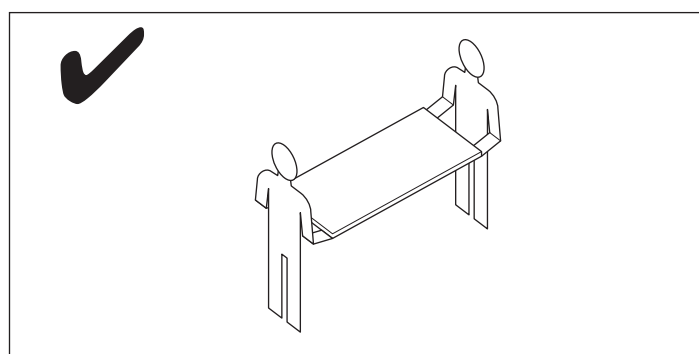
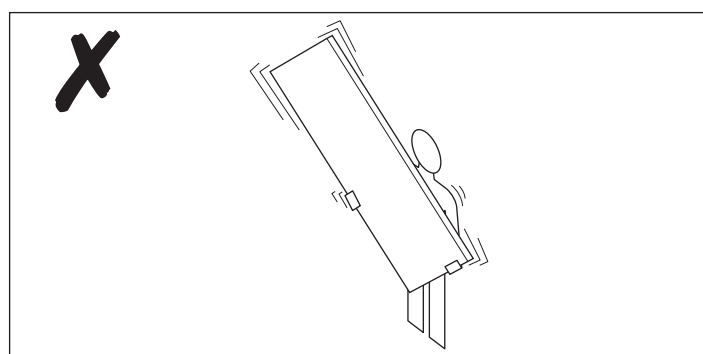
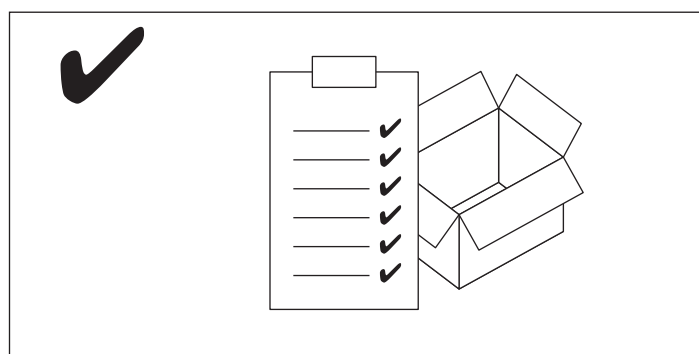
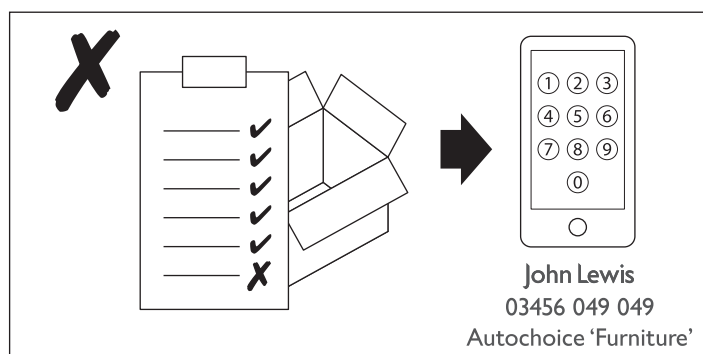
- ⚠ The product should only be used on firm, level ground.
- ⚠ Keep small parts out of reach of children.
- ⚠ Ensure the product is fully assembled as illustrated before use.

Do's

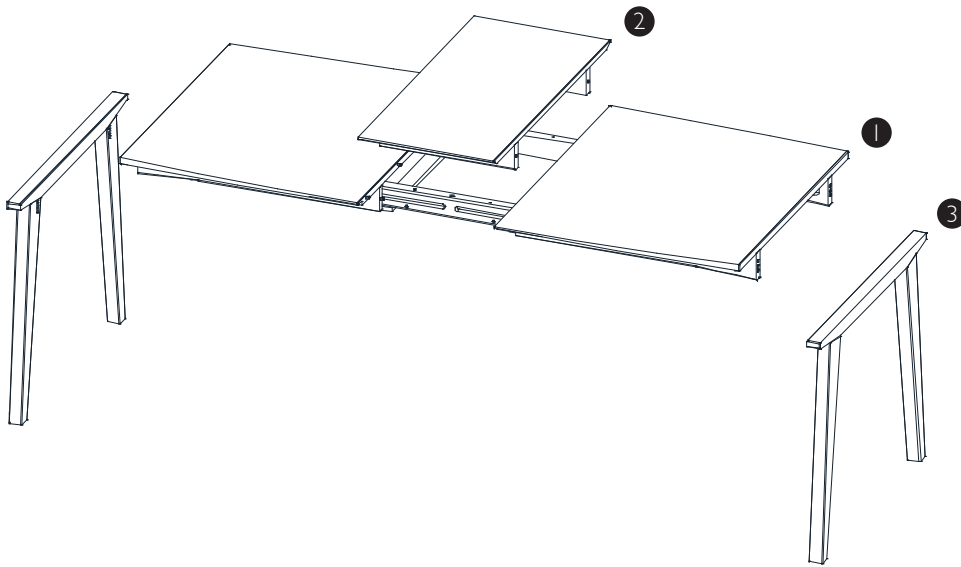
- ✓ Check the pack and make sure you have all the parts listed.
- ✓ Check all screws or bolts are tightened and inspect regularly.
- ✓ Make sure the legs remain in contact with the ground at all times.

Dont's

- ✗ Do not over tighten screws or bolts.
- ✗ Do not stand on the product.
- ✗ Do not use power tools to construct as overtightening and panel failure may occur.



Your dining table



Ref	Description	Dimensions	Qty
①	Top Panel	H4 W160 D95cm	1
②	Extension Leaf	H11 W50 D95cm	1
③	Leg Frame	H75 W4 D87cm	2

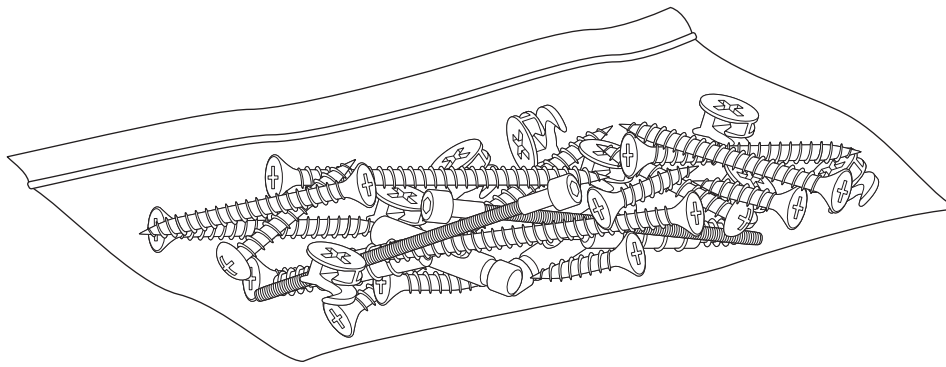
Dimensions

Stock number: 836 03703

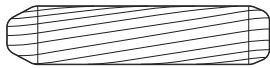

Dining table original size: H75 W169 D95cm

Dining table extended size: H75 W219 D95cm




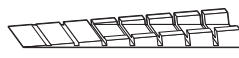
Fixtures and fittings



Fixtures and fittings
supplied (actual size)

Ref	Description	Dimensions	Qty	mm
A	Wooden Dowel	10mm x 35mm	8	
B	Headless Bolt	8mm x 62mm	4	

Fixtures and fittings
supplied (not actual size)

Ref	Description	Dimensions	Qty	
C	Fixing Head		4	
D	Hex Nut		4	
E	Wrench		1	
F	Wedge		1	

Product assembly

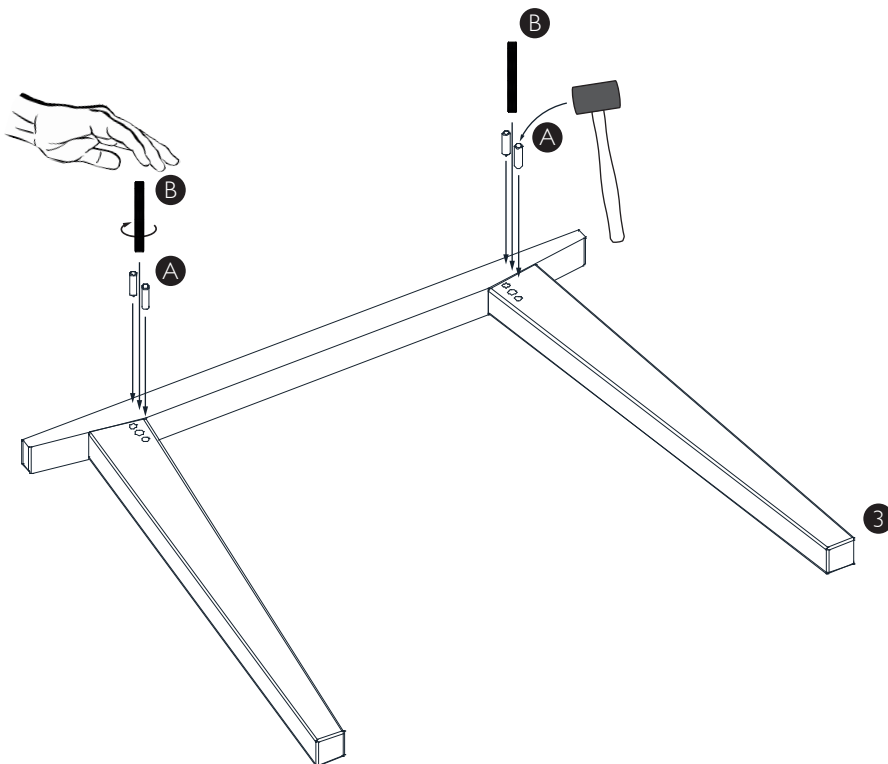
Duhrer Extending Dining Table
836 03703

Step 1

Parts, fittings and tools



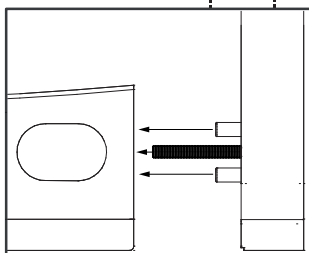
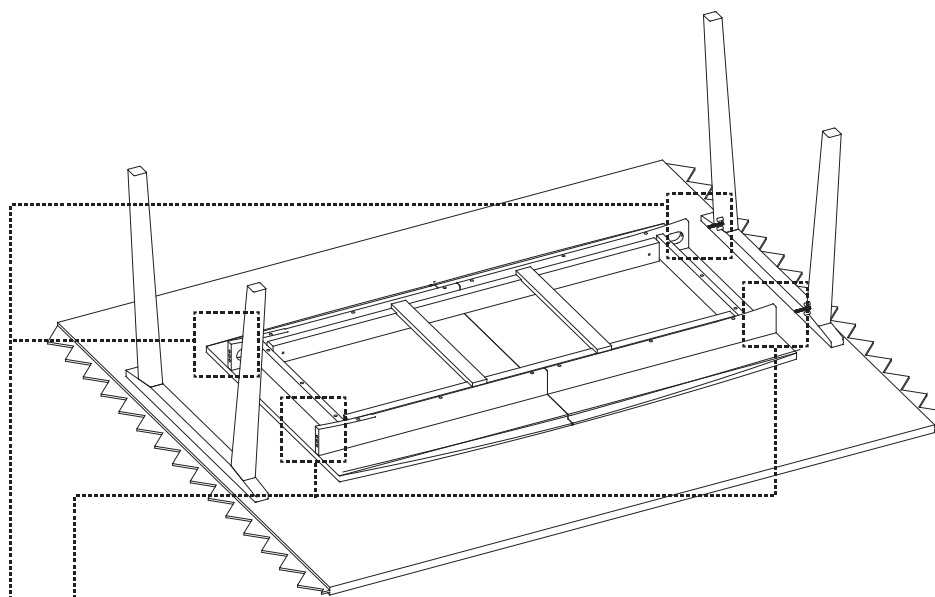
A B 3



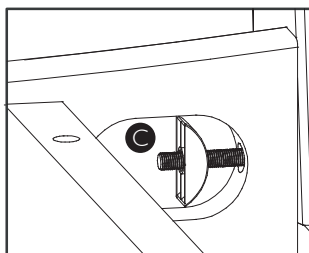
Step 2

Parts, fittings and tools

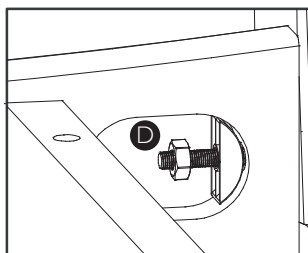
B E I 3



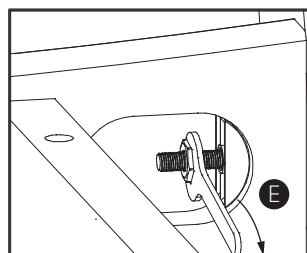
Place the leg frame by aligning the dowels and the headless bolts to the corresponding holes.



Then place the fixing head as shown above.



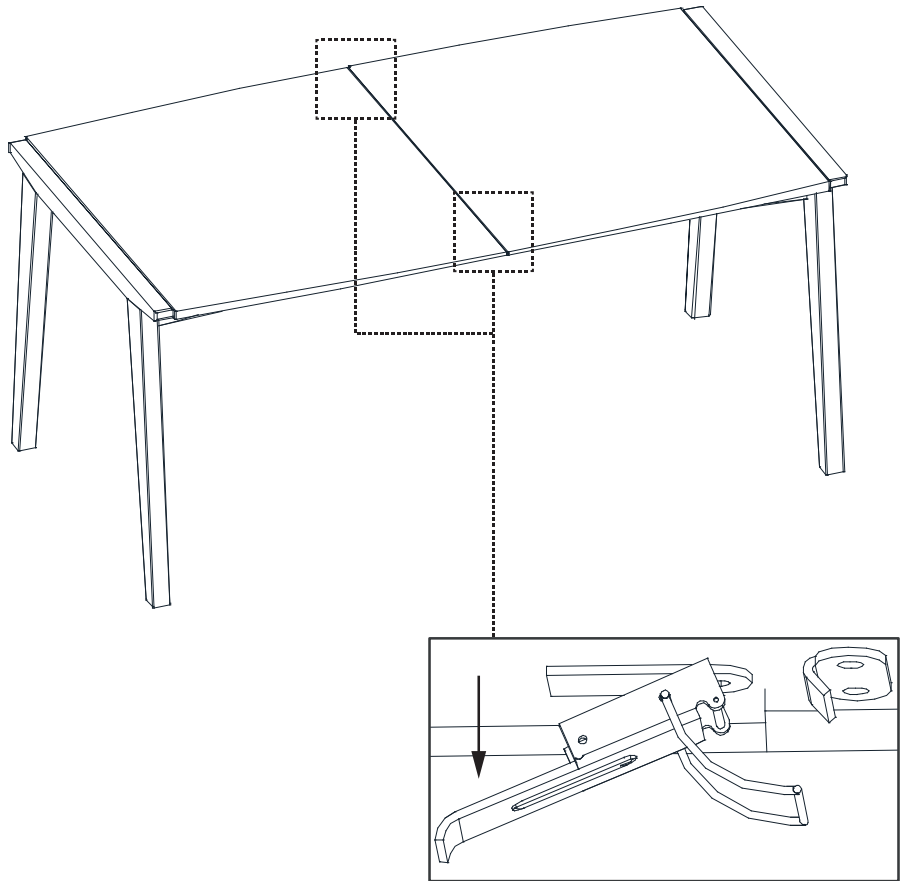
Slightly fix the hex nut on the headless bolt by hand.



To tighten the leg assembly, use the supplied wrench and turn the hex nut clockwise until fully fastened.

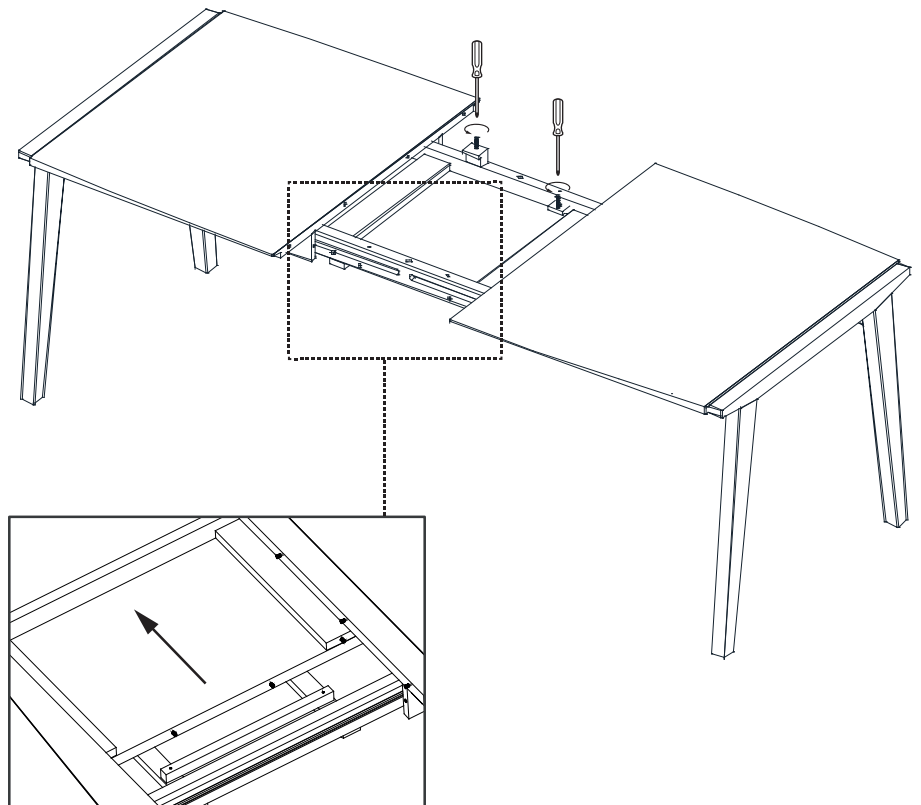
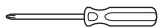
Step 3

Parts, fittings and tools



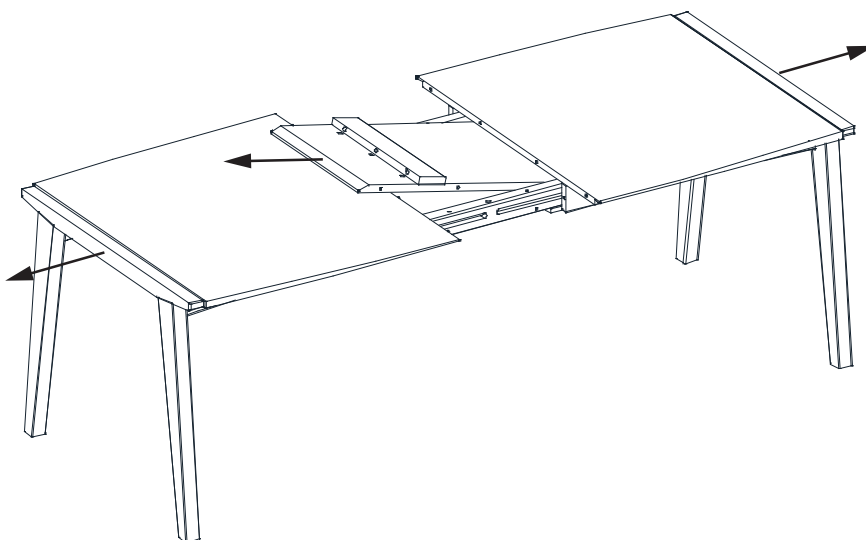
Step 4

Parts, fittings and tools



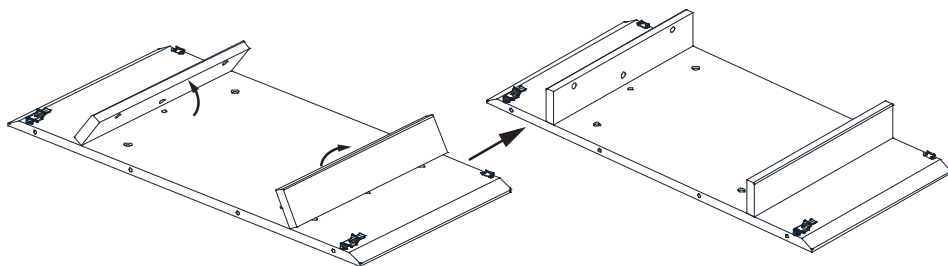
Step 5

Parts, fittings and tools



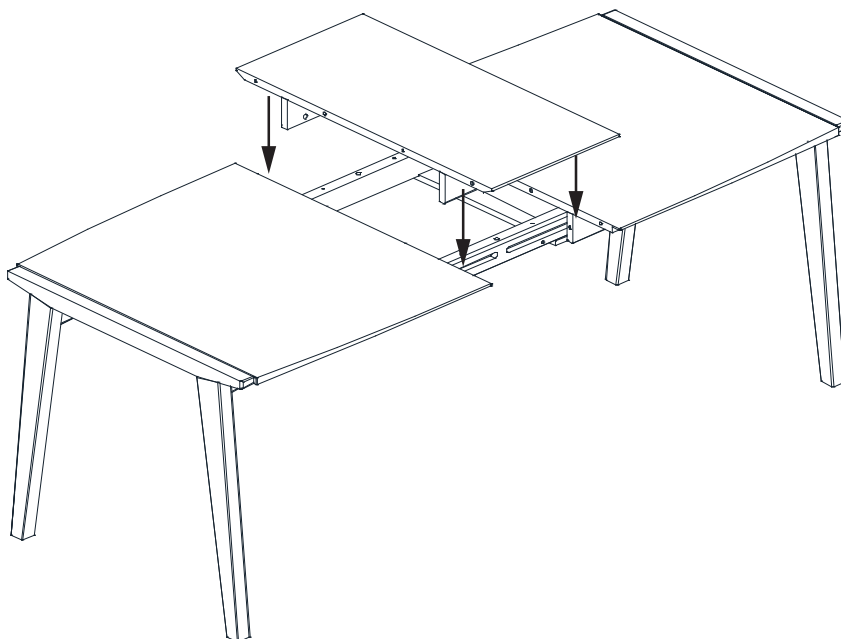
Step 6

Parts, fittings and tools



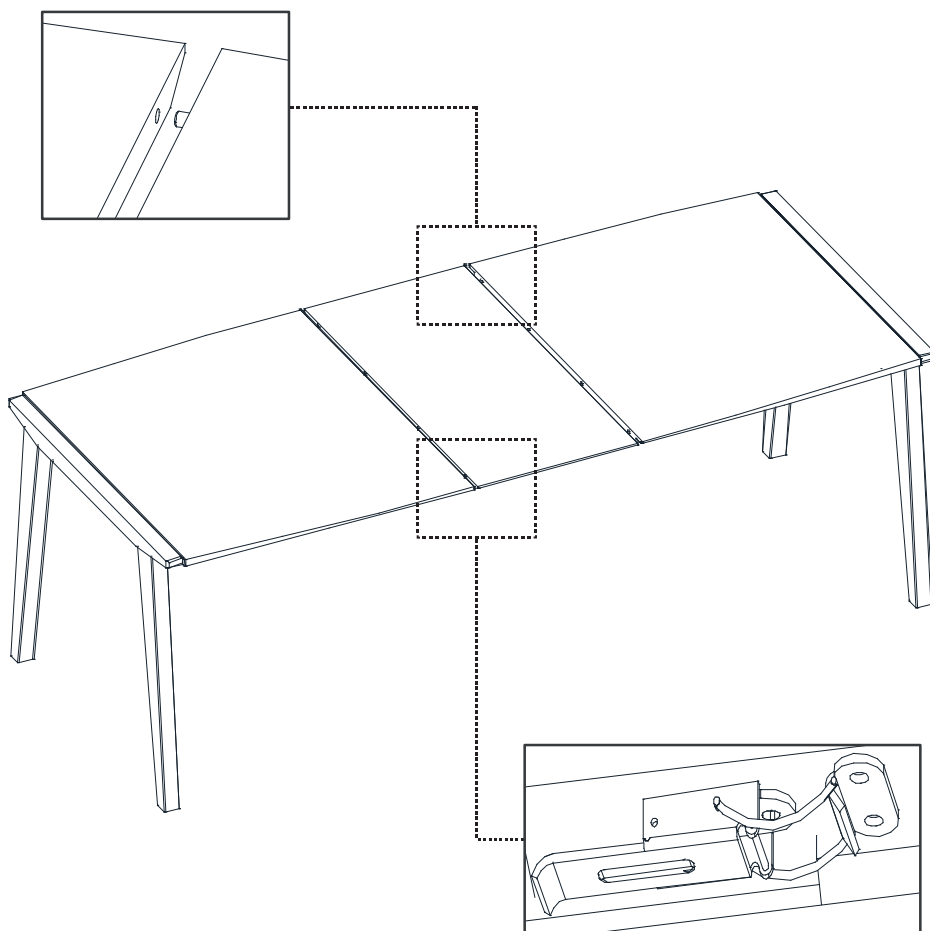
Step 7

Parts, fittings and tools



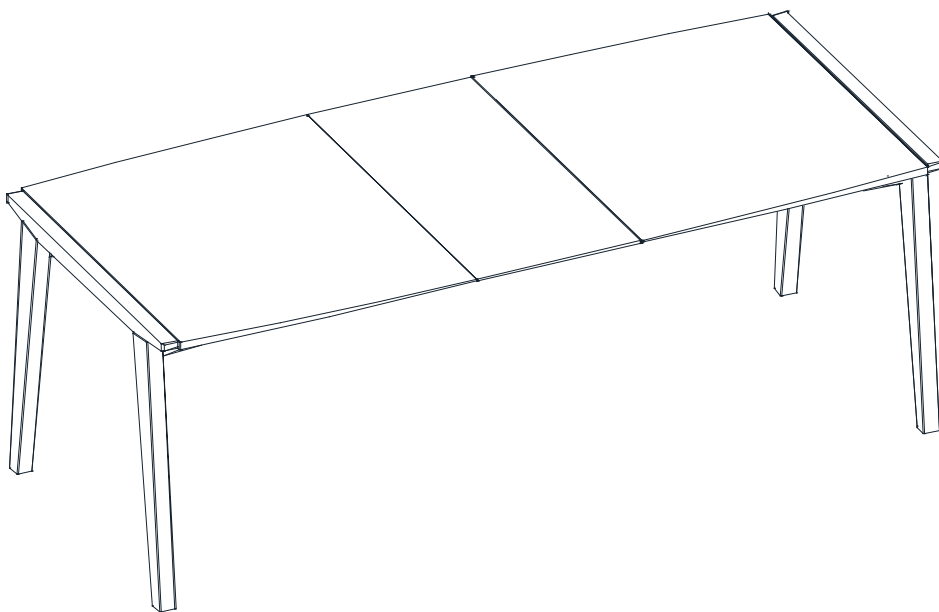
Step 8

Parts, fittings and tools



Step 9

Parts, fittings and tools



Safety Instructions

General warnings

Never drag furniture when moving it, always lift it. Periodically check all fixings to ensure none have come loose and re-tighten where necessary. Please take care when handling or moving the furniture as careless handling may cause damage or injury. Furniture can be dangerous if incorrectly installed. Assembly should be carried out by a competent person. No liability will be accepted for damage or injury caused by incorrectly installed or assembled furniture.

Specific warnings for heavy items

It is recommended that before moving heavy objects to a new location they are completely dis-assembled to avoid personal injury or damage to the furniture. Please be careful to retain all fittings when doing this. (For fully or partial assemble items).

Storage units over 600mm

Installation shall be carried out exactly according to the manufacturer's instructions – otherwise a safety risk can occur if incorrectly installed; a warning shall be given to the consumer to notify them of related risks.

Care Instructions

Wood Furniture

Wood displays different grain patterns depending on which way they cut - for example, the 'medullary ray' which can appear on oak furniture is a mark of good quality timber - these are just characteristics of the natural beauty of the wood. Some furniture is also deliberately aged and rustic.

Wood veneers also allow distinctive patterns to be created on flat surfaces, such as table tops and drawer fronts by the way the slivers are arranged.

All timber surfaces will change colour and mellow over time. New furniture will initially vary in shade from items that have been previously purchased.

How to care for your wood or painted furniture

Furniture with a hard lacquer, wax polish or painted surface should be dusted with a dry cloth.

Waxed furniture will need to be given a coat of beeswax a couple of times a year to help maintain its luster. Spray polishes are best avoided as they contain silicones which may spoil the furniture's surface by building up over time.

Make sure all surfaces are protected from heat and liquids by mats and coasters. Wipe up spills immediately and ensure that a mat or pad is placed under paper if you are writing.

Extendable dining tables should be left extended for the first few months to avoid an uneven appearance. Likewise, lamps and ornaments should also be moved regularly.

Our furniture will endure most temperatures in the home but it is best to avoid placing furniture next to heat sources such as radiators or fires. Be particularly careful with solid wood as the lack of humidity caused by central heating can cause damage such as warping.

PLEASE KEEP THESE INSTRUCTIONS FOR FUTURE REFERENCE

John Lewis Partnership
171 Victoria Street
London SW1E 5NN
johnlewis.com

Please leave a review.