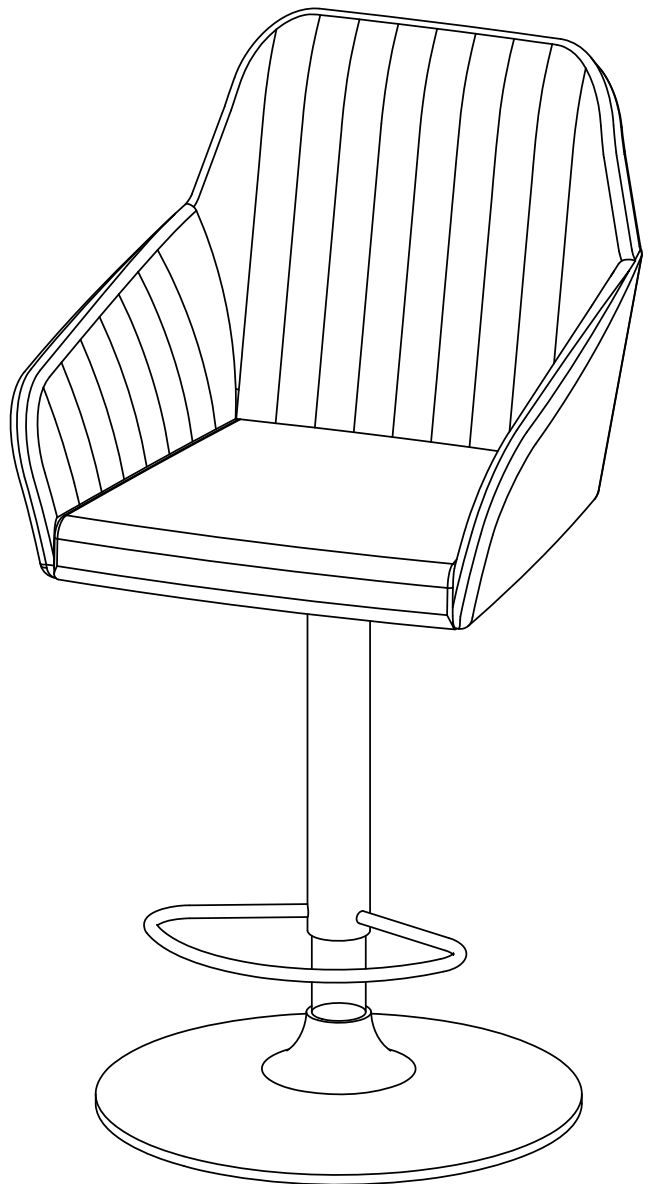


JOHN
LEWIS
& PARTNERS

Toronto Gas Lift Bar Stool/Brooks Gas Lift Bar Stool

Stock number: 836 78003
836 79003

836 79004



H88.5/104 W49.5 D52.5 cm

Thank you for purchasing the Toronto Gas Lift Bar Stool/Brooks Gas Lift Bar Stool. Please read the instructions and warnings carefully before use, to ensure safe and satisfactory operation of this product.

At John Lewis, we are committed to making as great products as possible.

From our in-house Design Team, to our buyers, we work together to bring great design to life.

Our expert product technologists work collaboratively with our buyers and suppliers to assure the legality, safety and quality of the product we sell.

We are all committed to designing and developing products to the highest industry standards.

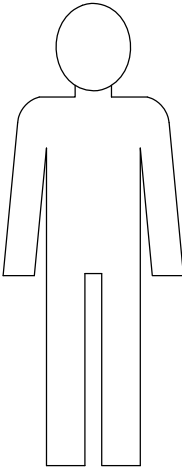
We hope you are happy with your product and welcome any feedback or comments you may have.

The John Lewis Team

Tools required

Time to assemble
20 minutes

People to assemble



Important safety information

Warnings

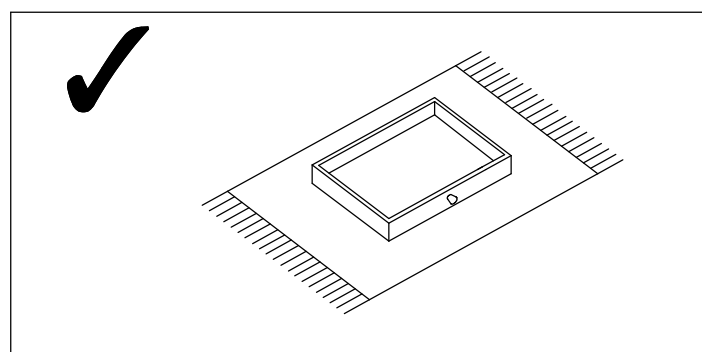
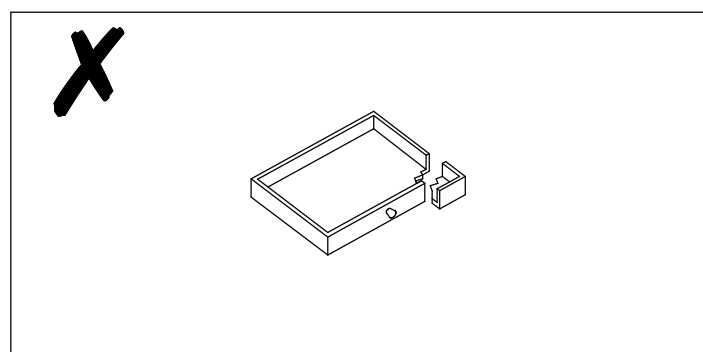
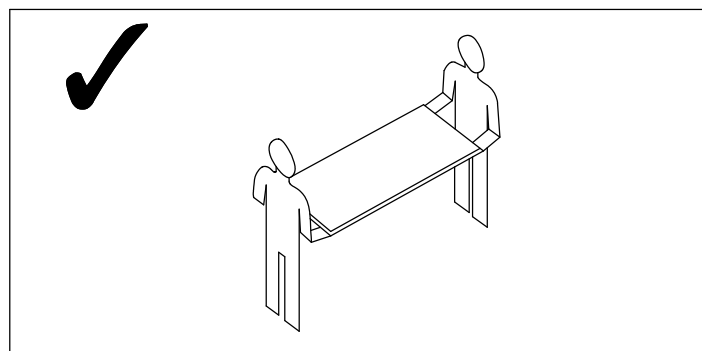
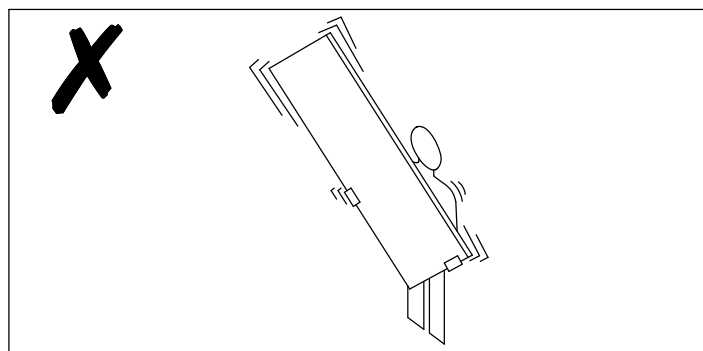
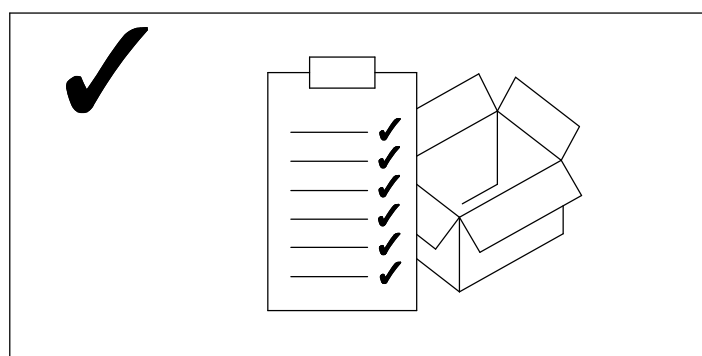
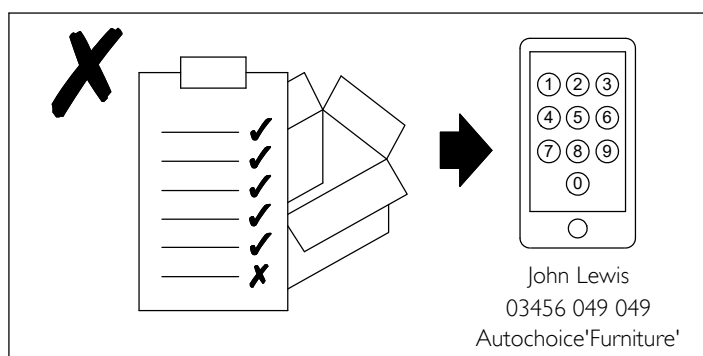
- ⚠ The product should only be used on firm, level ground.
- ⚠ Keep small parts out of reach of children.
- ⚠ Ensure the product is fully assembled as illustrated before use.

Do's

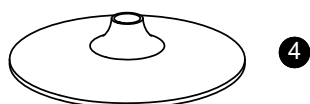
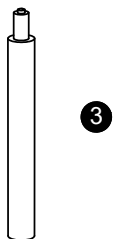
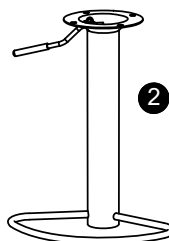
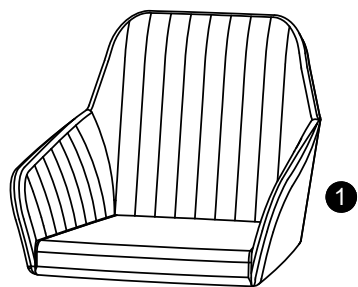
- ✓ Check the pack and make sure you have all the parts listed.
- ✓ Check all screws or bolts are tightened and inspect regularly.
- ✓ Make sure the legs remain in contact with the ground at all times.

Don'ts

- ✗ Do not over tighten screws or bolts.
- ✗ Do not stand on the product.
- ✗ Do not use power tools to construct as overtightening and panel failure may occur.



Your bar stool

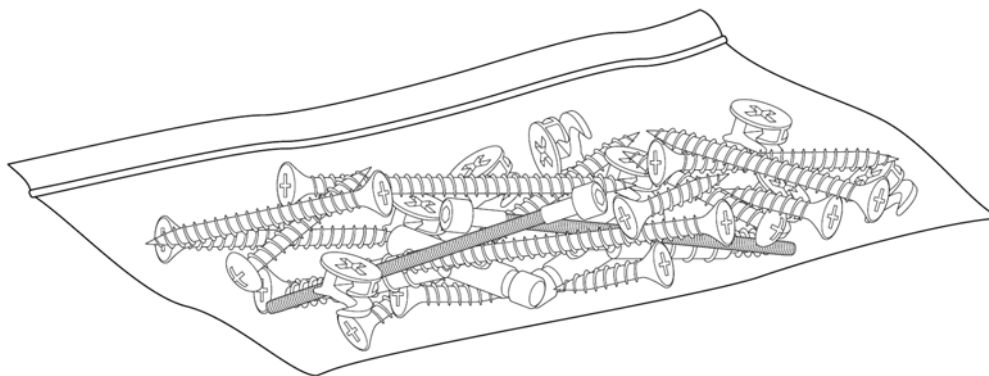


Ref	Description	Dimensions	Qty
①	Seat	495mm x 525mm x 320mm	1
②	Middle tube	400mm x 267mm x 305mm	1
③	Gas lift	∅50mm x 525mm	1
④	Trumpet base	∅450mm x 85mm	1

Internal dimensions

bar stool overall size: H88.5/104 W49.5 D52.5 cm

Fixtures and fittings



Fixtures and fittings supply (actual size)

Ref	Description	Dimensions	Qty	mm
A	Bolts	6mm x 16mm	4	

Fixtures and fittings supply (not actual size)

Ref	Description	Dimensions	Qty	
B	Flat washers	18mm	4	
C	Allen key	5mm	1	

Product assembly

Toronto Gas Lift Bar Stool/Brooks

Gas Lift Bar Stool

836 78003 836 79004

836 79003

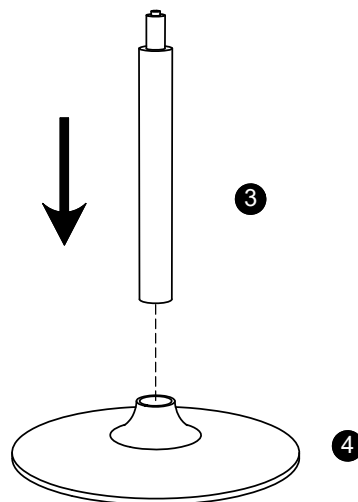
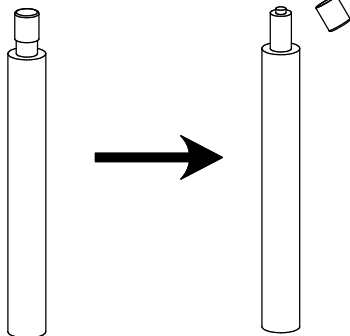
Step 1

Parts and fittings

3 4



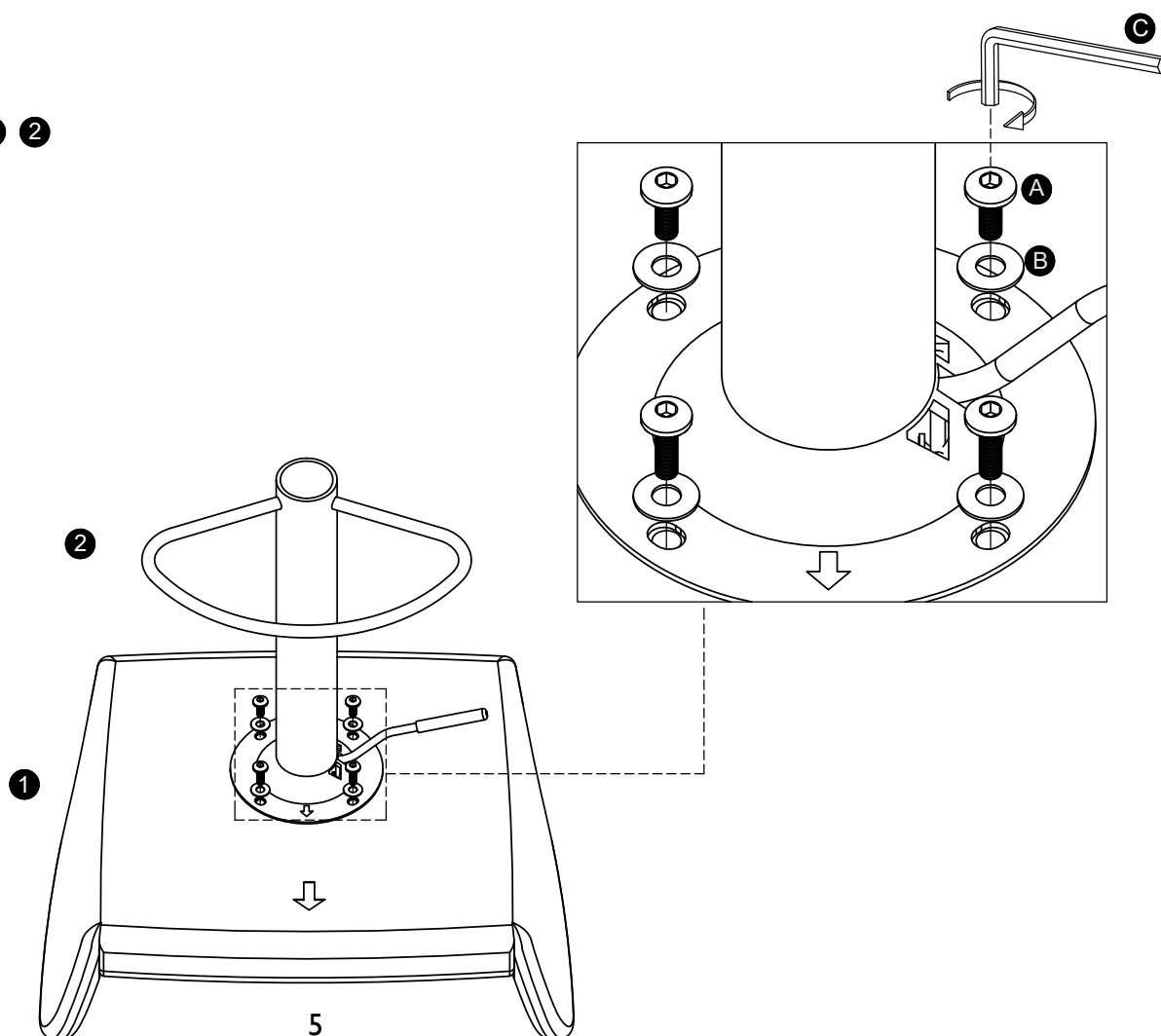
Warning
Remove the cap from
the gas lift piston before
assembly.



Step 2

Parts and fittings

A B C 1 2



Product assembly

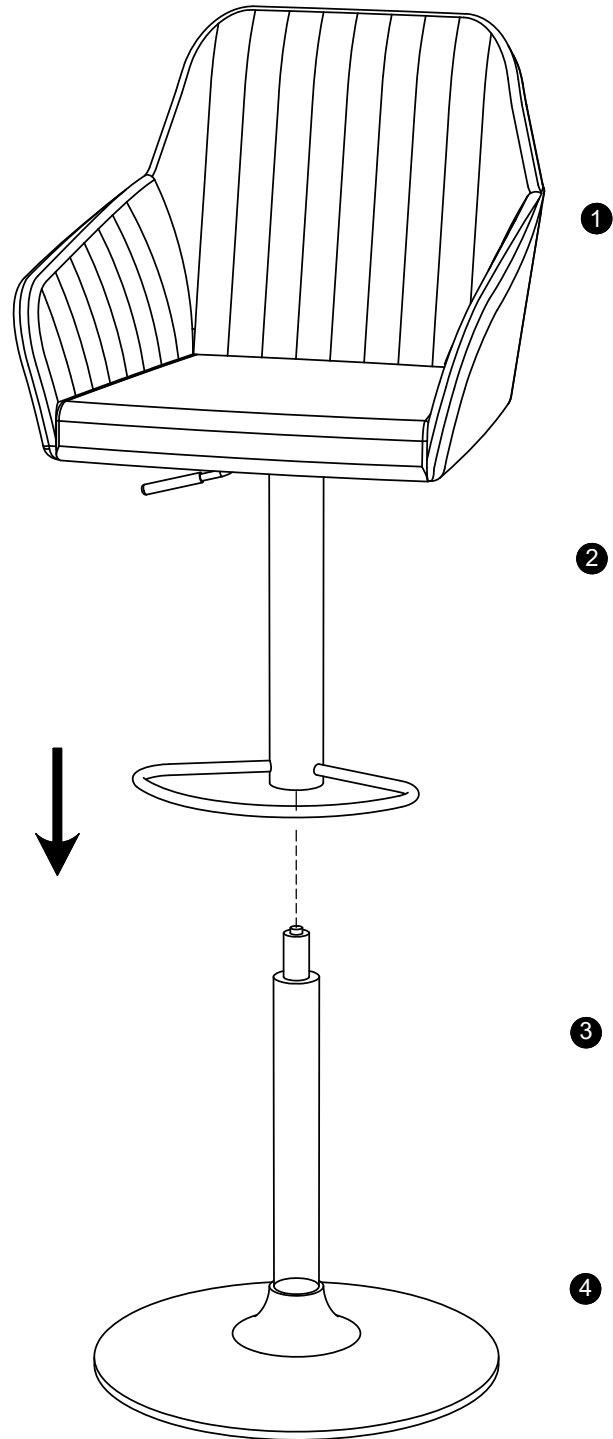
Toronto Gas Lift Bar Stool/Brooks
Gas Lift Bar Stool

836 78003 836 79004
836 79003

Step 3 Final assembly

Parts and fittings

- 1
- 2
- 3
- 4

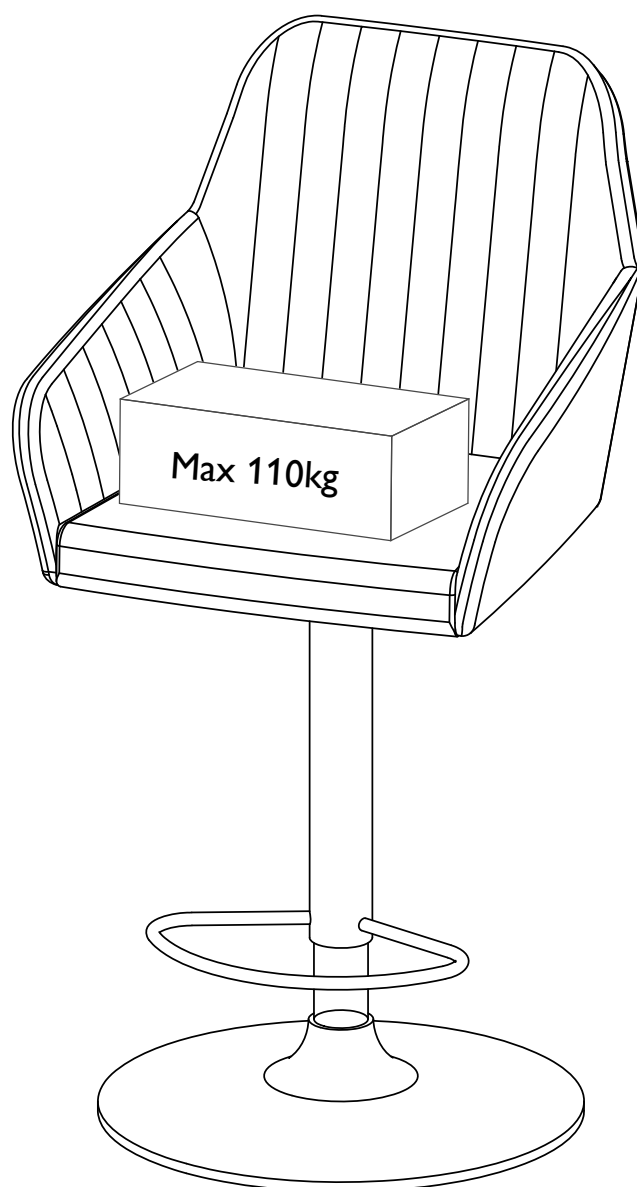
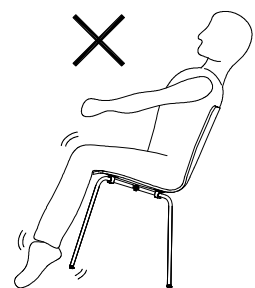


Warning:

Never tilt the chair. Ensure the chair is always placed firmly on the ground.

Regularly check leg attachment and retighten screws as necessary.

Do not use chair if legs are unstable. Please check fixings and tighten as required.



Care guide

Care and maintenance

Fabric upholstery(Toronto)

Protect your fabric from spillage, sunlight and heat. The fabric may be vacuumed and, if necessary, carefully spot-cleaned. Spot-cleaning agents should only be used after first testing on a less visible area of the fabric.

PU upholstery(Brooks)

Protect PU upholstery from spillage, sunlight and heat. A slightly damp cloth is the best cleaning agent. Do not use any abrasive cleaner or harsh detergent as this can damage the surface.

Safety Instructions

Never drag furniture when moving it, always lift it.

Periodically check all fixings to ensure none have come loose and re-tighten where necessary.

Please take care when handling or moving the furniture as careless handling may cause damage or injury.

Furniture can be dangerous if incorrectly installed. Assembly should be carried out by a competent person. No liability will be accepted for damage or injury caused by incorrectly installed or assembled furniture.

Retain these instructions for future reference.

Your feedback is very important to us and we would love to hear your comments on your new furniture. Please visit our website to leave a review. Thank you.