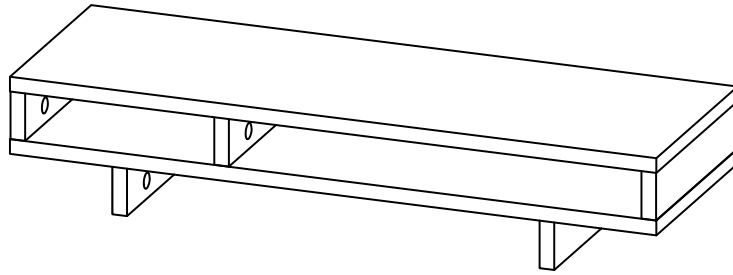
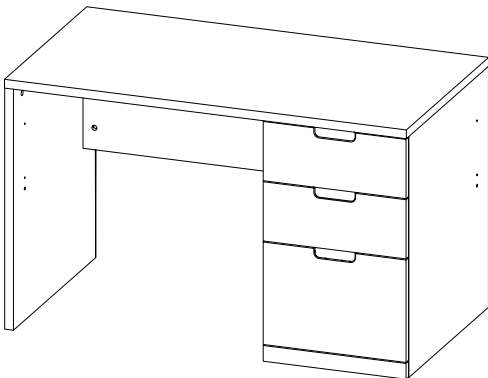


# ABACUS Monitor stand hutch

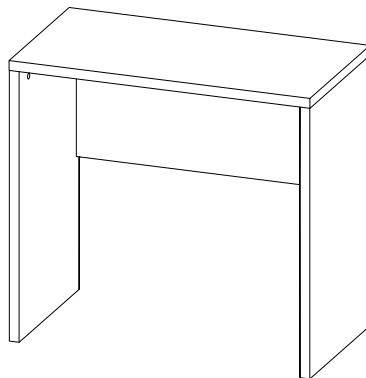
Stock number: 816 / 70202



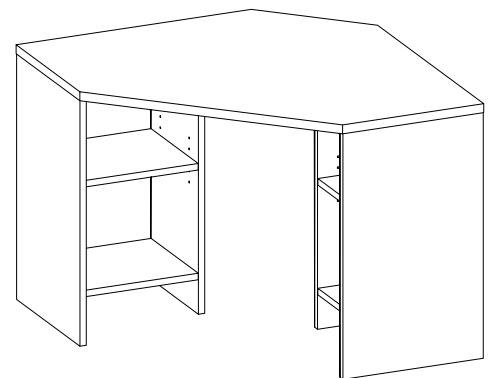
This is compatible with:



ABACUS Filing desk LH, RH  
Stock number: 816 / 22370



ABACUS small desk  
Stock number: 816 / 22304



ABACUS corner desk  
Stock number: 816 / 22373

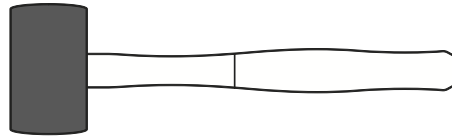
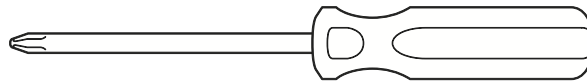


H14.5 W75 D25 cm

Thank you for purchasing the ABACUS Monitor stand hutch. Please read the instructions and warnings carefully before use, to ensure safe and satisfactory operation of this product.  
At John Lewis, we are committed to making great products possible.  
From our in-house Design Team, to our Buyers, we work together to bring great design to life.  
Our expert Product Technologists work collaboratively with our buyers and suppliers to assure the legality, safety and quality of the product we sell.  
We are all committed to designing and developing products to the highest industry standards.  
We hope you are happy with your product and welcome any feedback or comments you may have.

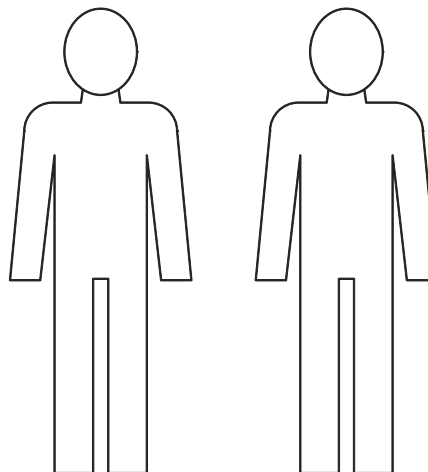
The John Lewis Team

## Tools required



Time to assemble  
30 minutes

People to assemble



# Important safety information

## Warnings

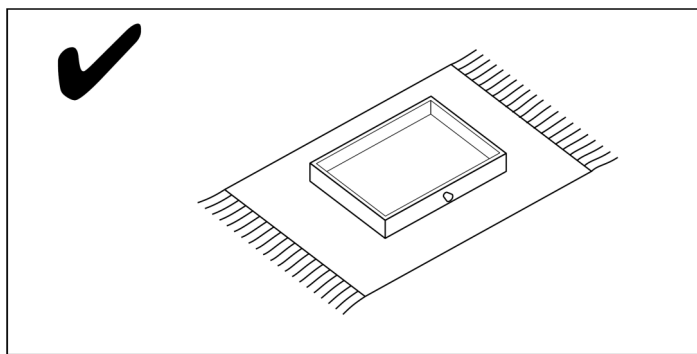
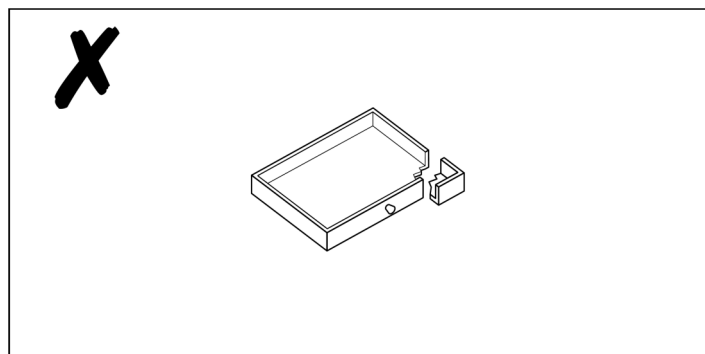
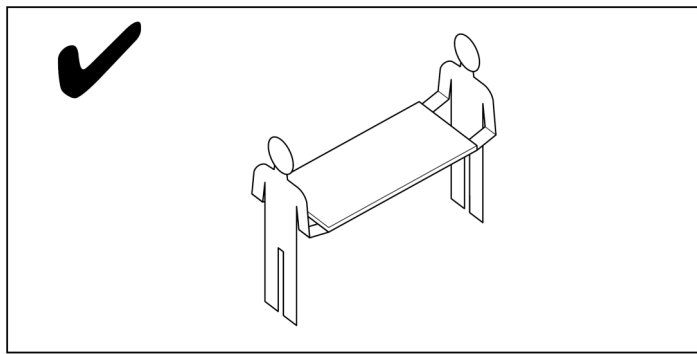
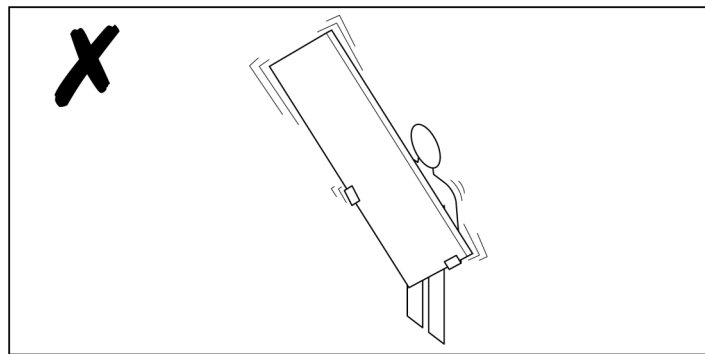
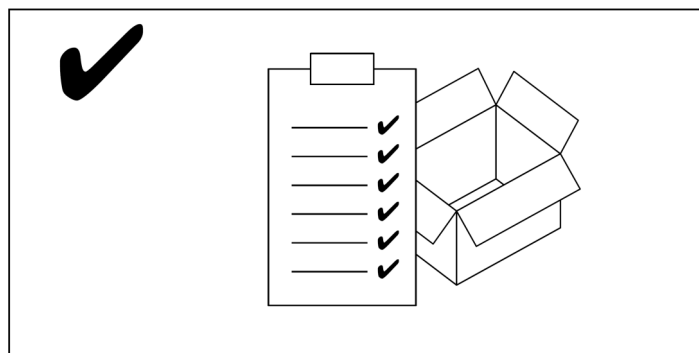
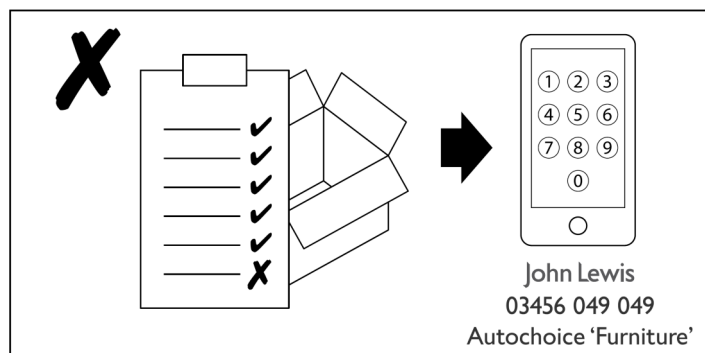
- ⚠ The product should only be used on firm, level ground.
- ⚠ Keep small parts out of reach of children .
- ⚠ Ensure the product is fully assembled as illustrated before use.

## Do's

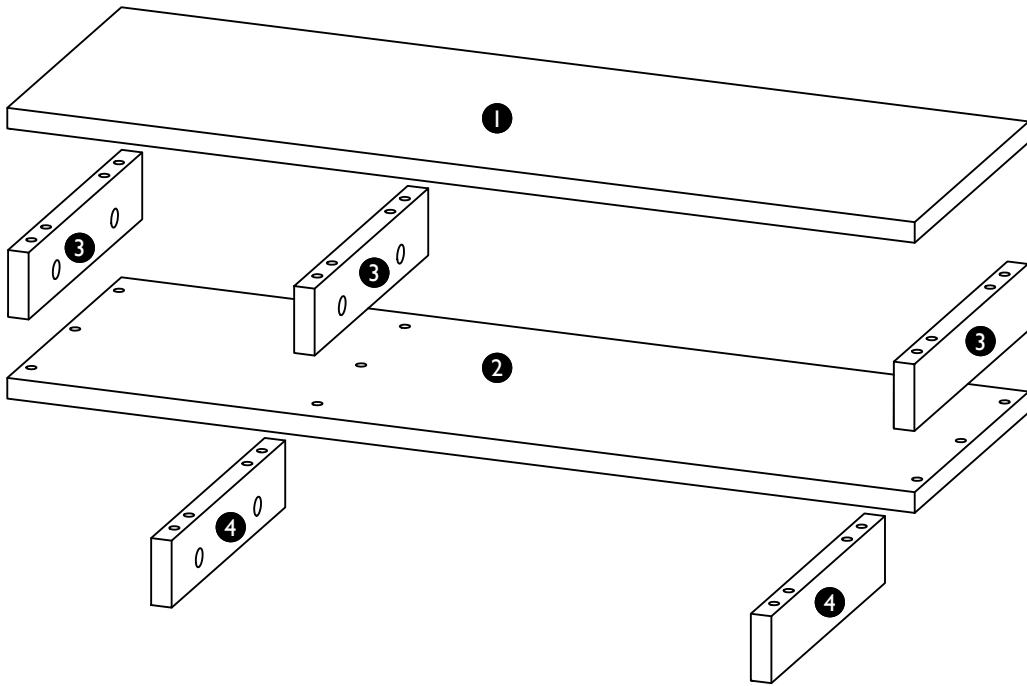
- ✓ Check the pack and make sure you have all the parts listed.
- ✓ Check all screws or bolts are tightened and inspect regularly.
- ✓ Make sure the legs remain in contact with the ground at all times.

## Dont's

- ✗ Do not over tighten screws or bolts.
- ✗ Do not stand on the product.
- ✗ Do not use power tools to construct as overtightening and panel failure may occur.



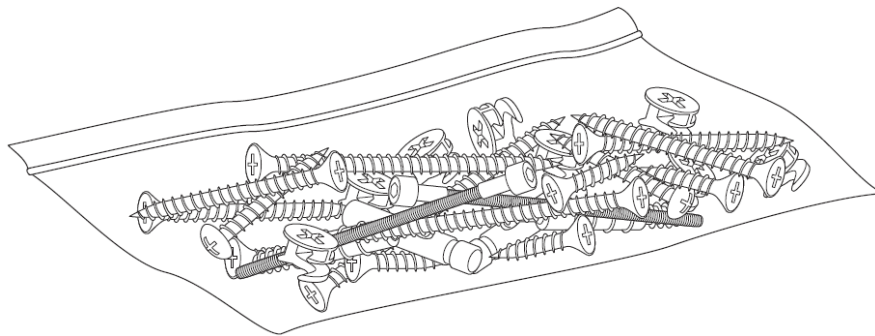
# Your Monitor stand hutch







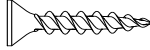
Ref	Description	Dimension (mm)	Qty
①	Top	752 x 250 x 17	1
②	Base	752 x 250 x 17	1
③	Vertical division	55 x 249 x 17	3
④	Leg	55 x 249 x 17	2

Internal dimension  
 Stock number: 816 / 70202  
 Monitor stand hutch: HI4.5 W75 D25


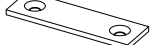

# Fixtures and fittings



Fixtures and fittings  
supplied (actual size)

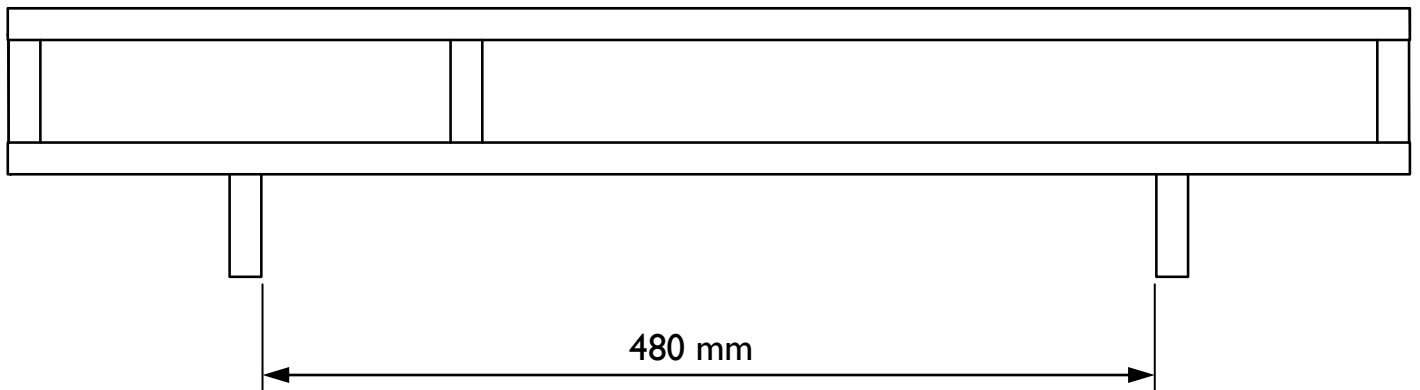
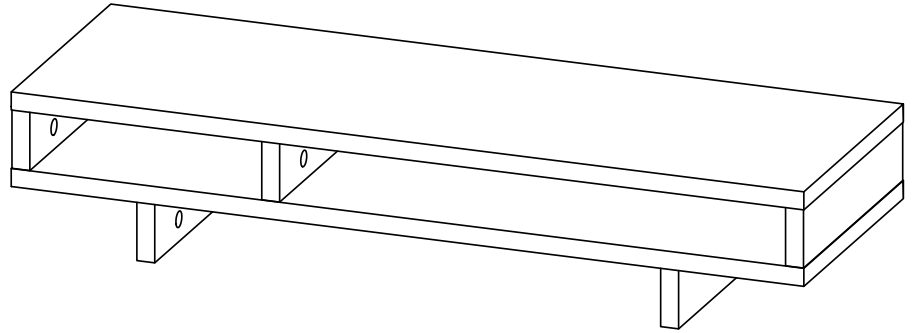
Ref	Description	Dimension	Qty	mm
<b>A</b>	Dowel	∅ 8,0x30	16	
<b>B</b>	Connecting bolt		10	
<b>C</b>	Camlock		10	
<b>D</b>	Screw	∅ 7,0x50	3	
<b>G</b>	Screw	∅ 3,0x20	4	

Fixtures and fittings  
supplied (not actual size)

Ref	Description	Dimension	Qty	
<b>E</b>	Cover cap		10	
<b>F</b>	Connecting plate		2	
<b>H</b>	Allen key		1	

## OPTION A

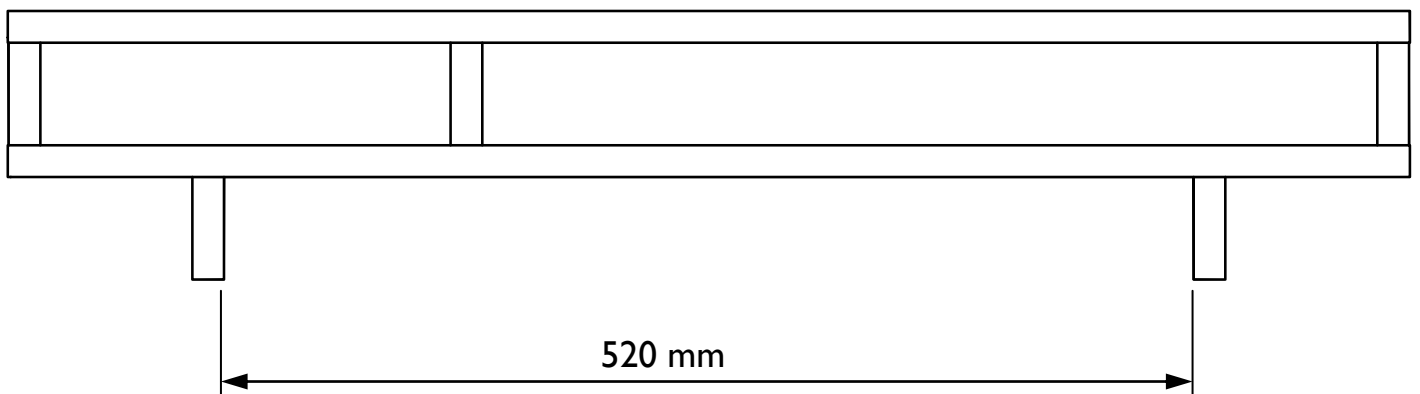
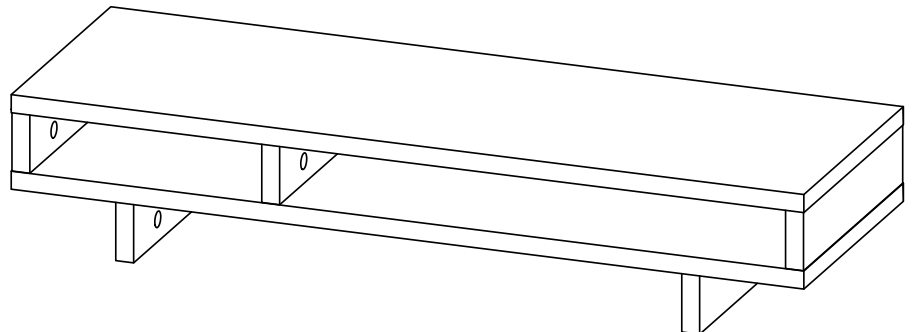
(Follow the details in step 6a)



---

## OPTION B

(Follow the details in step 6b)



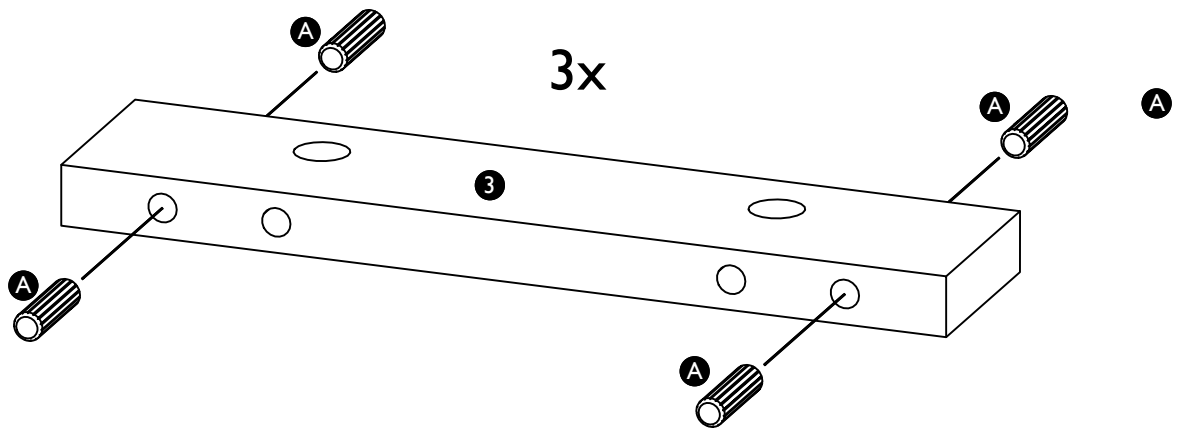
# Product assembly

ABACUS Monitor stand hutch  
70202

## Step 1

Parts, fittings and tools

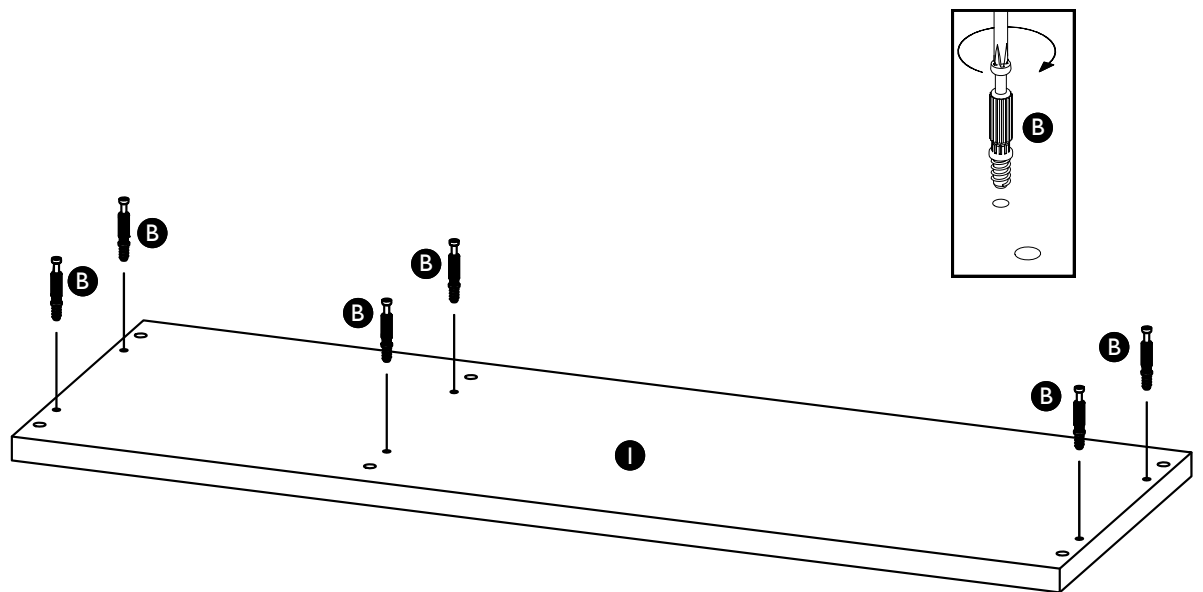
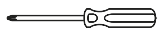
**A** **3**



## Step 2

Parts, fittings and tools

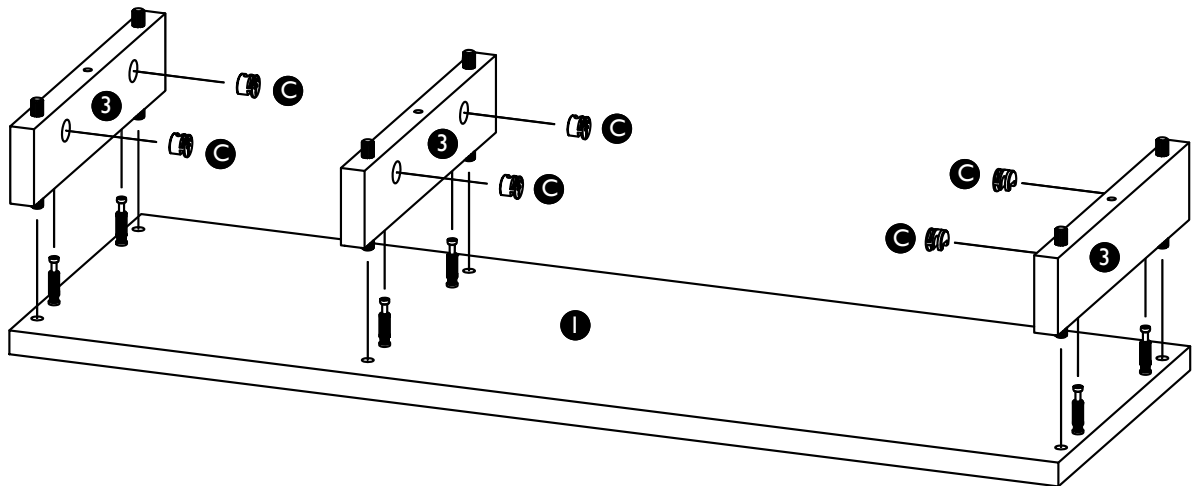
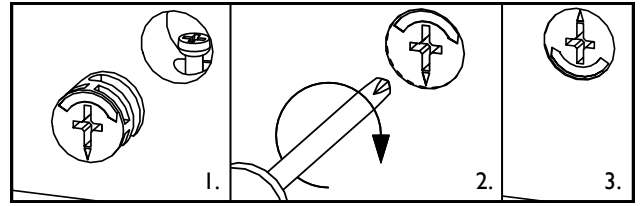
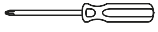
**B** **I**



## Step 3

Parts, fittings and tools

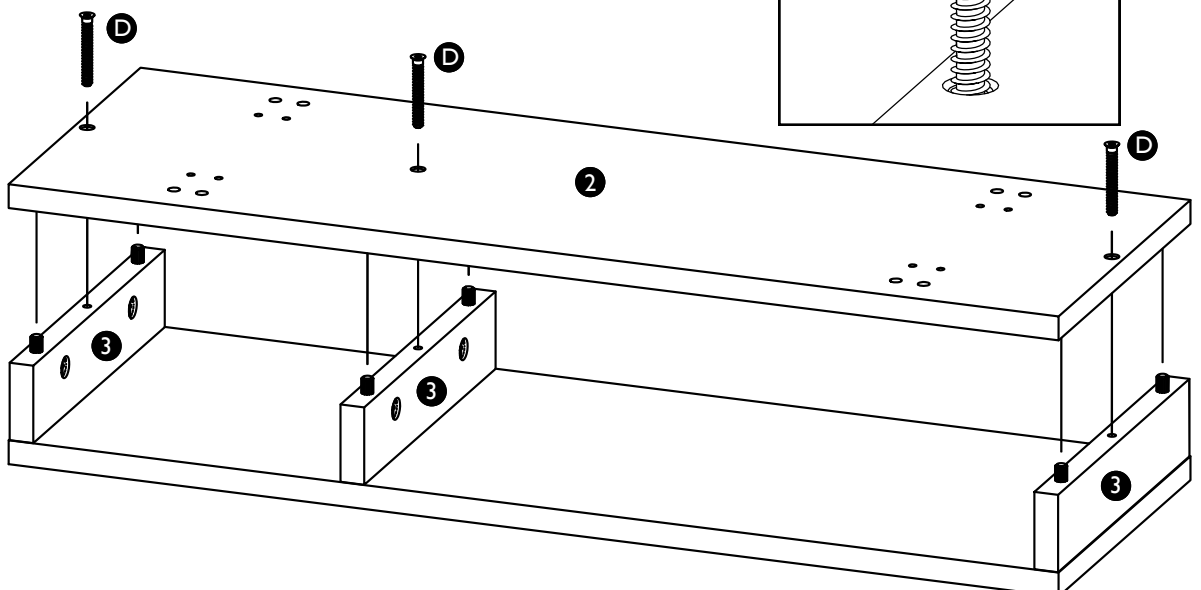
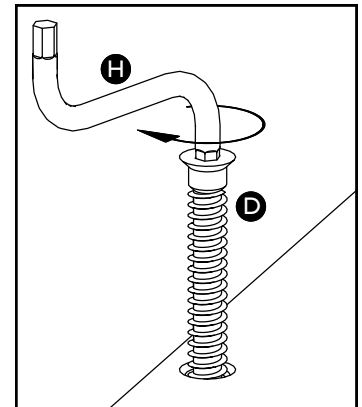
**C** **I** **3**



## Step 4

Parts, fittings and tools

**D** **H** **2**

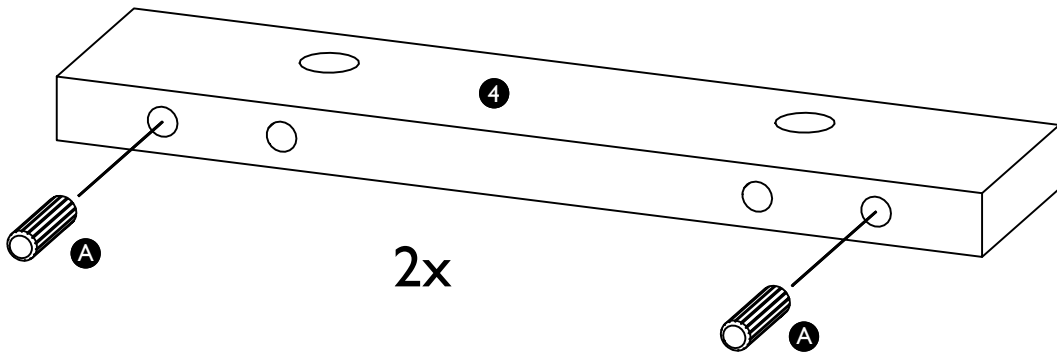




## Step 5

Parts, fittings and tools

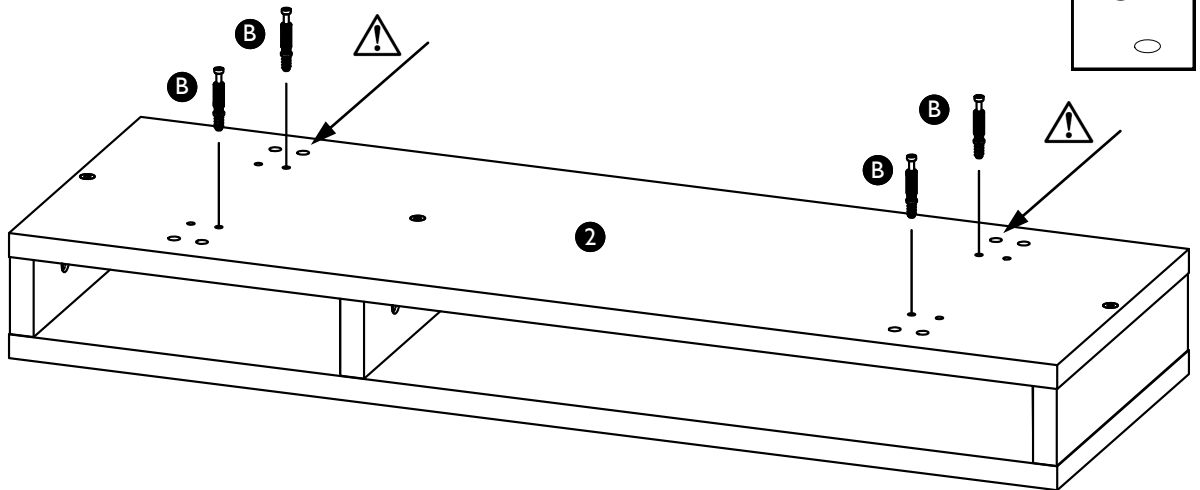
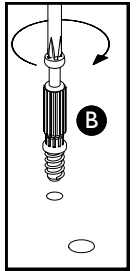
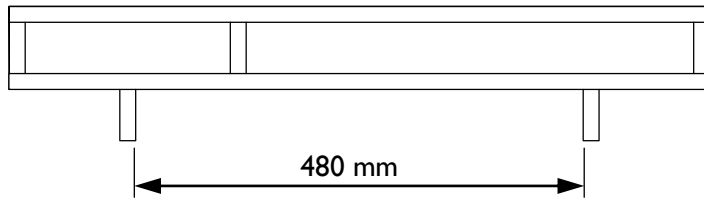
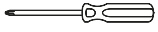
**A** **4**



## Step 6a

Parts, fittings and tools

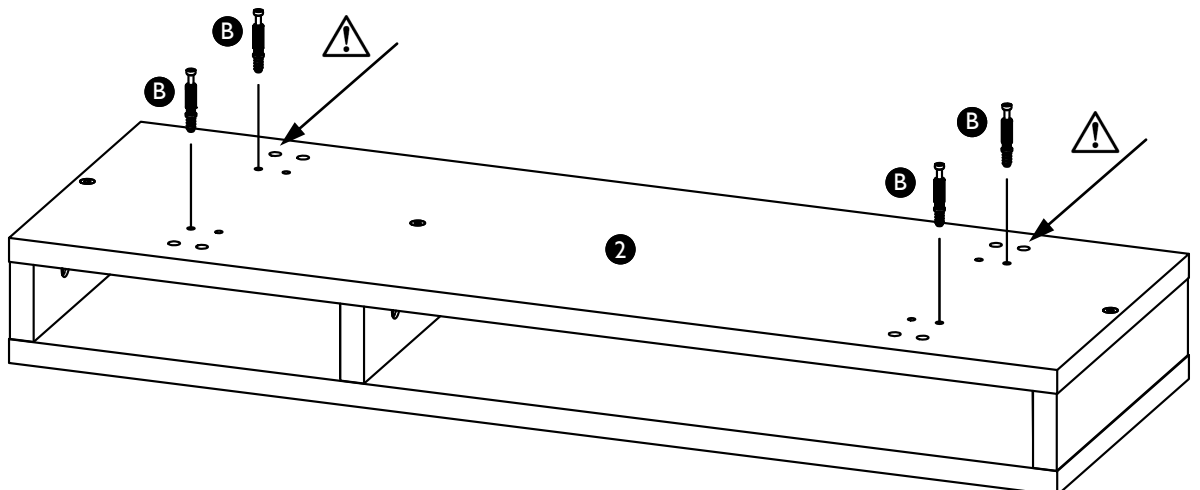
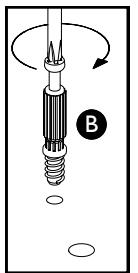
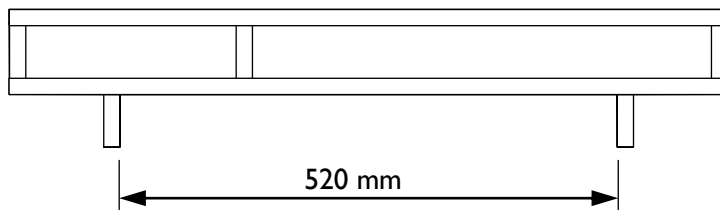
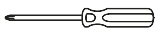
**B**



## Step 6b

Parts, fittings and tools

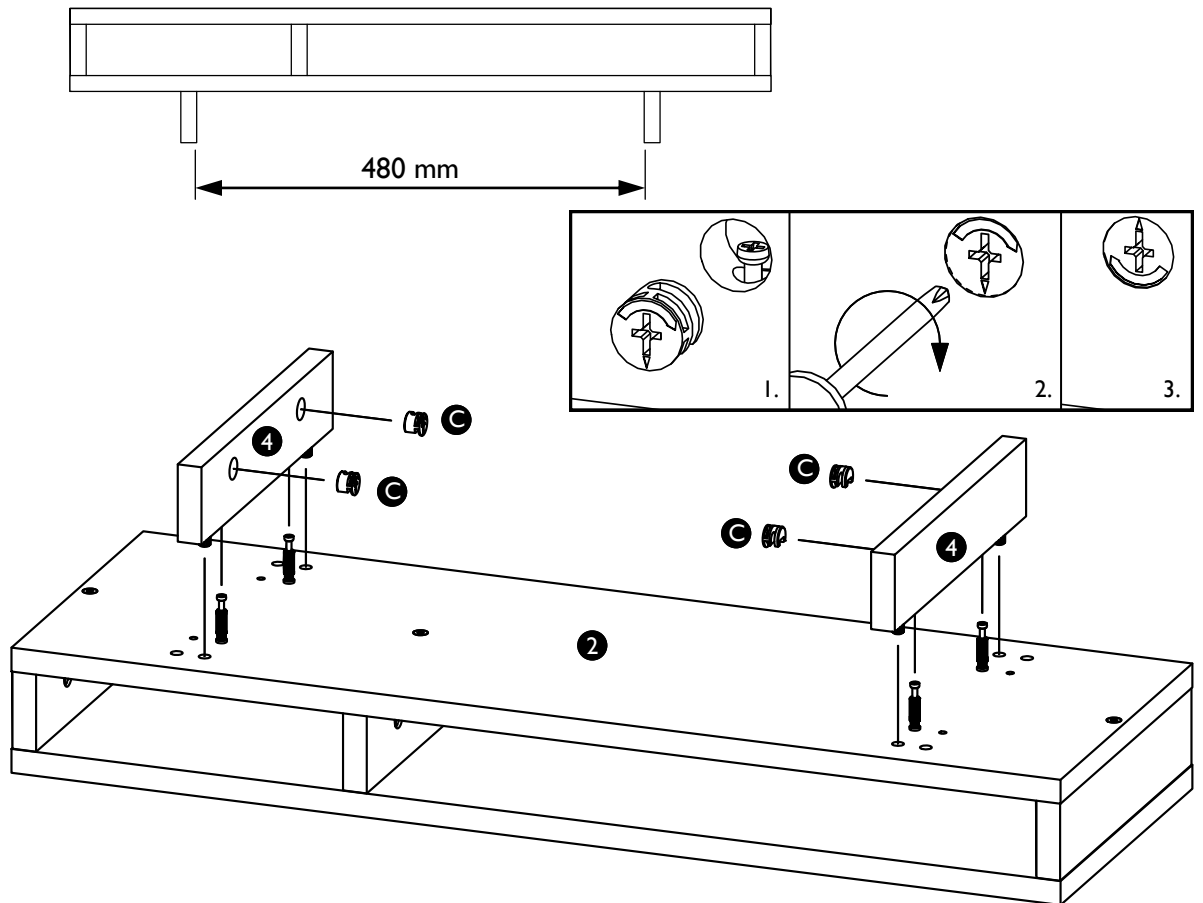
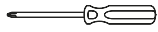
**B**



## Step 7a

Parts, fittings and tools

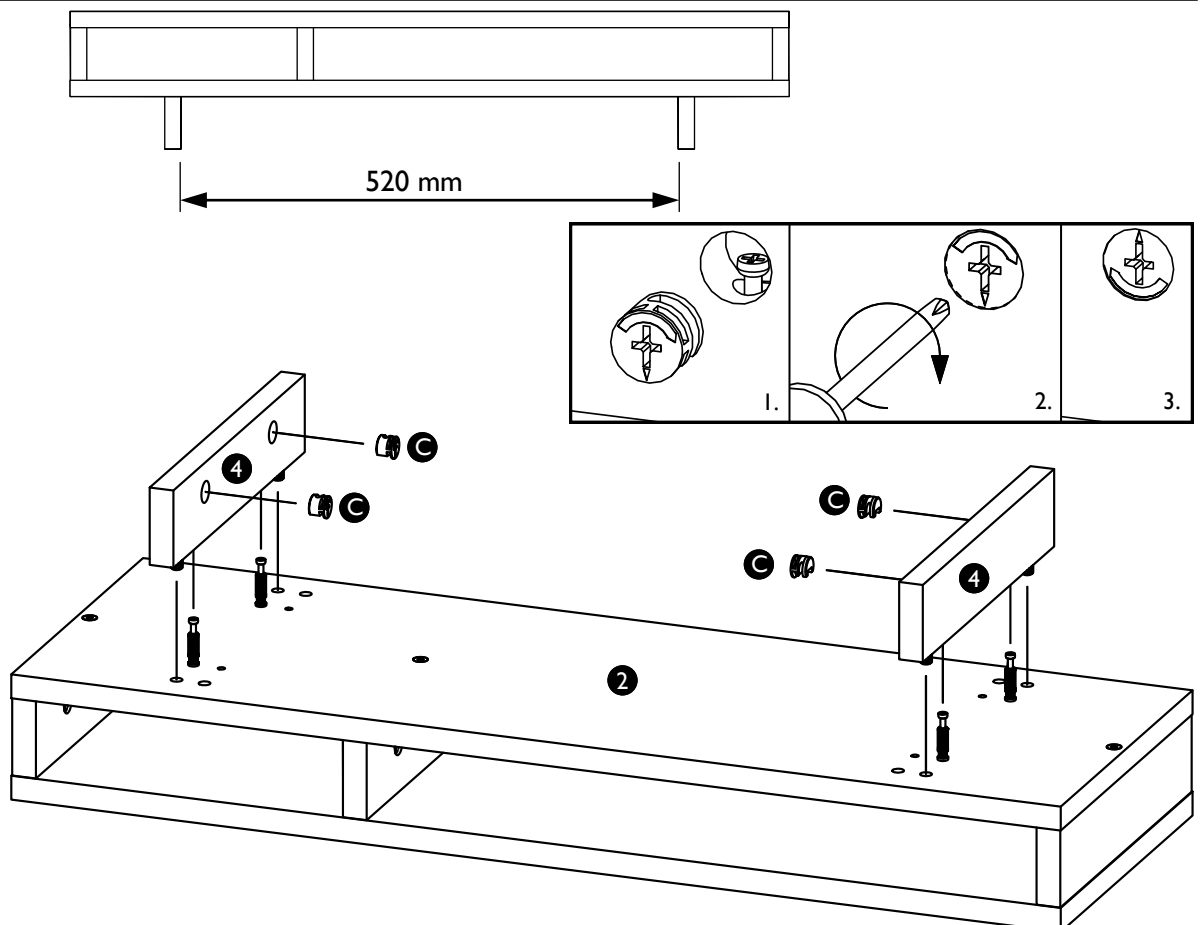
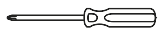
Ⓒ 4



## Step 7b

Parts, fittings and tools

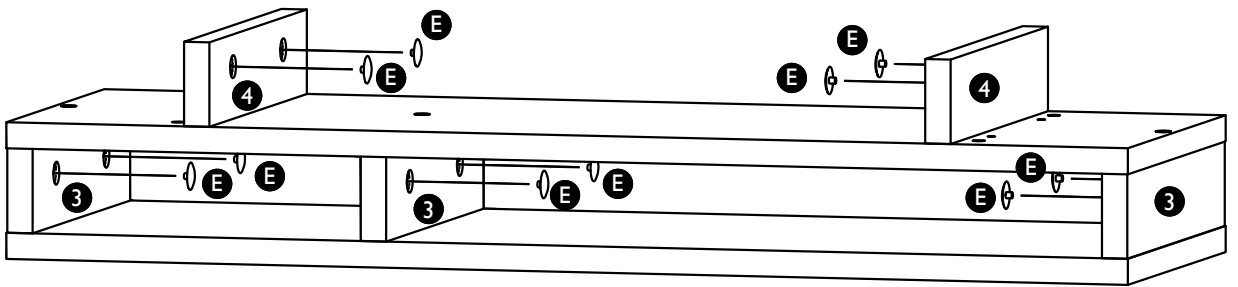
Ⓒ 4



## Step 8

Parts, fittings and tools

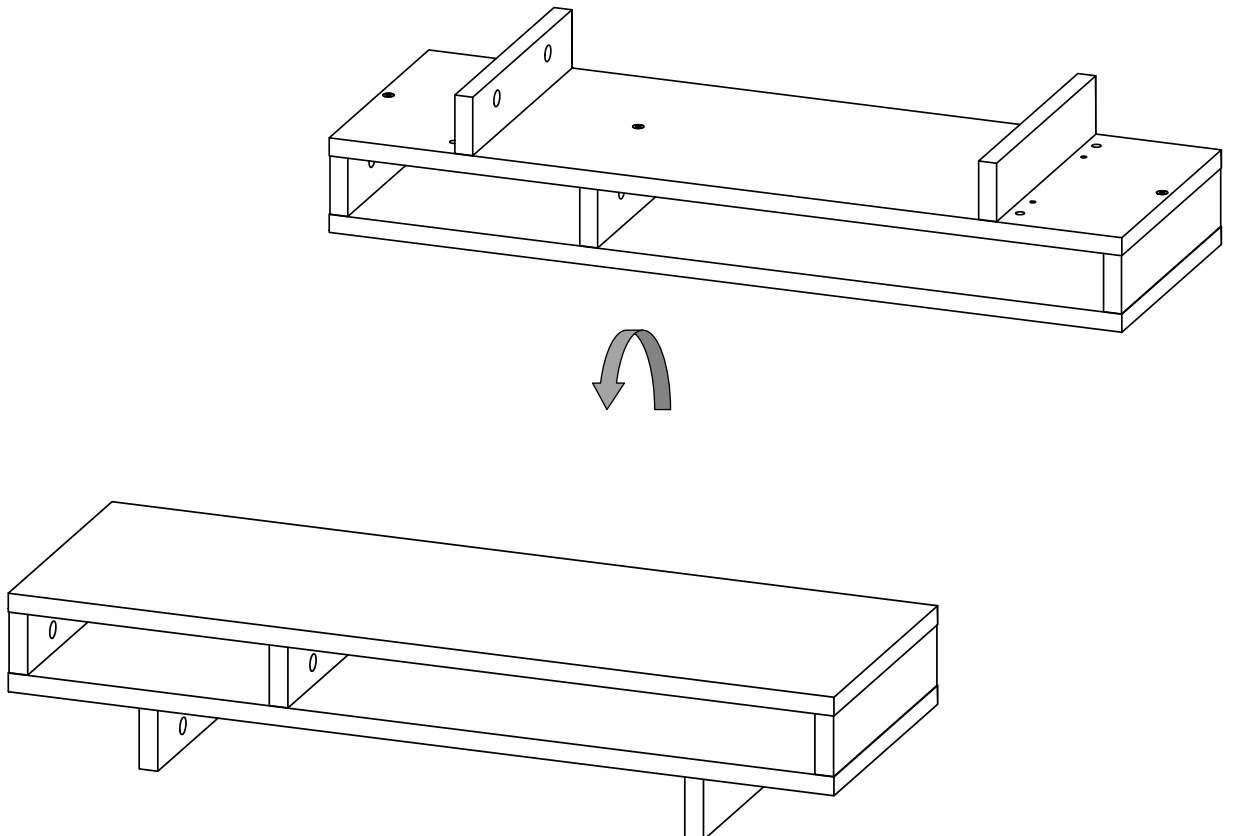
E



---

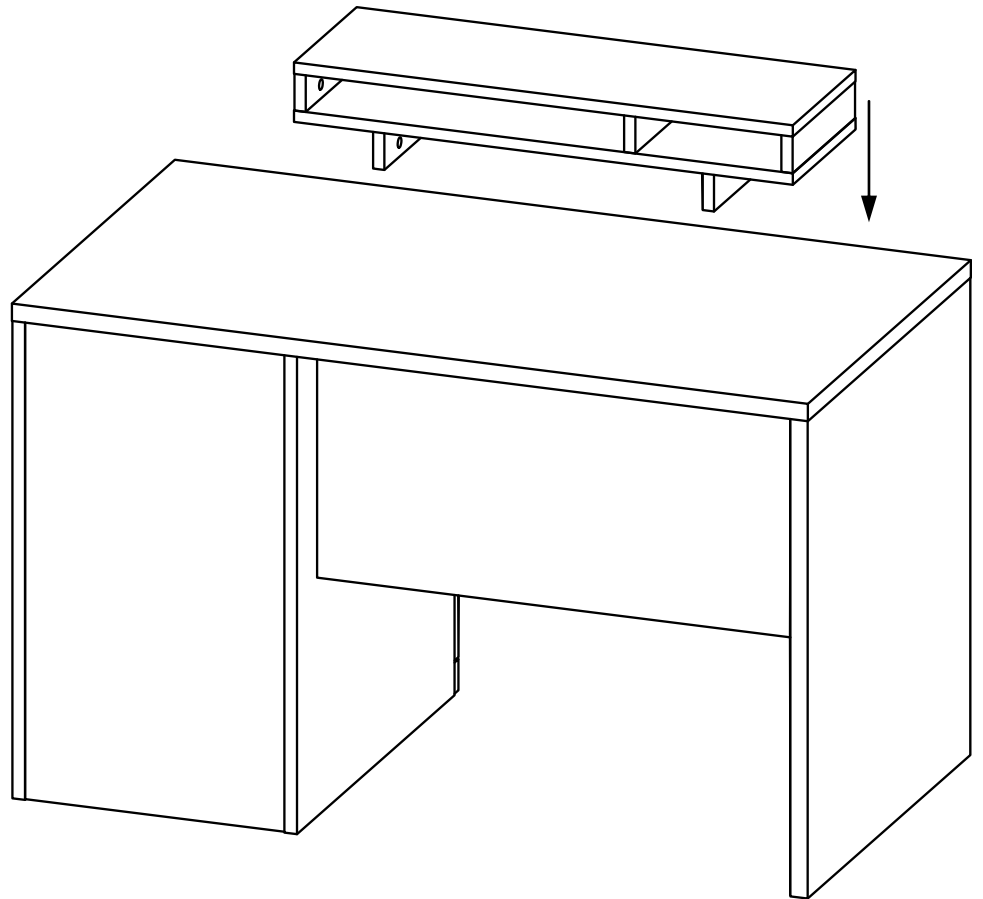
## Step 9

Parts, fittings and tools



## Step 10

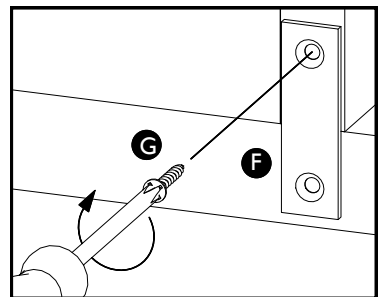
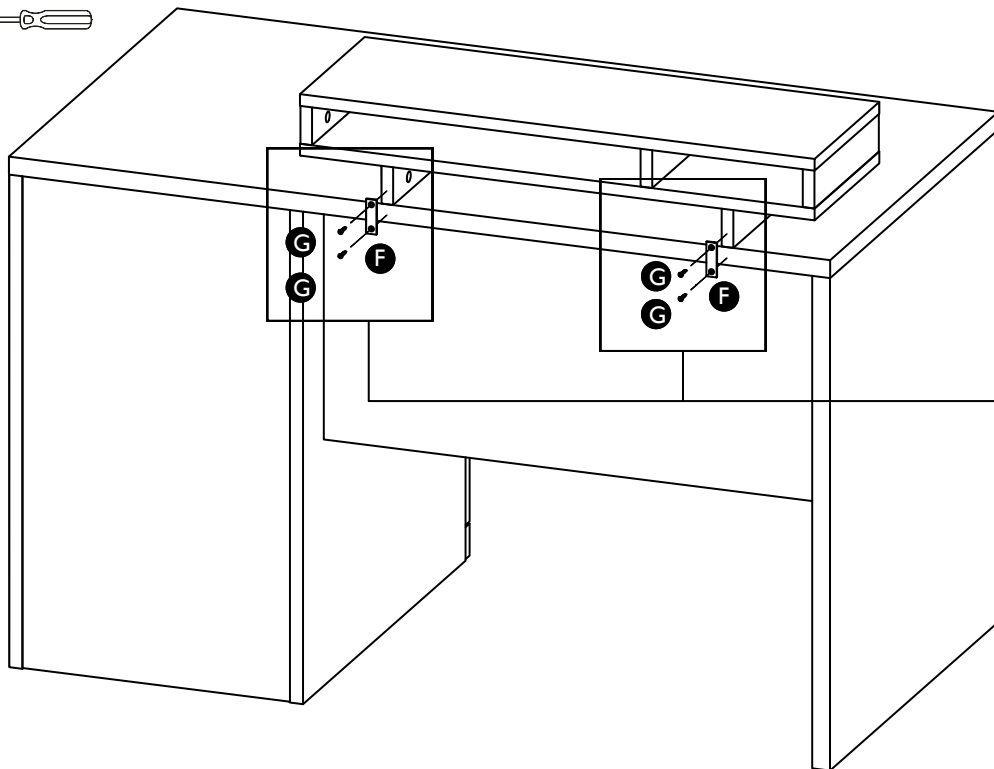
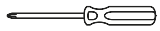
Parts, fittings and tools



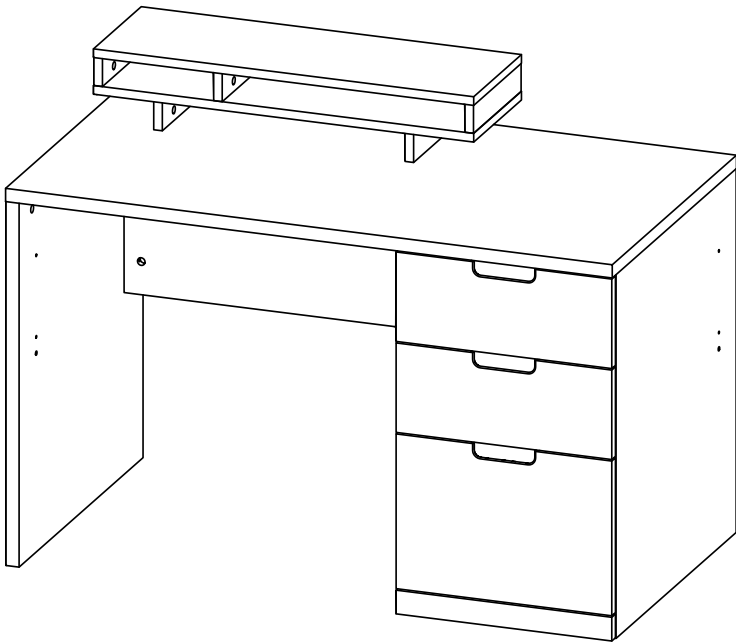
## Step 11

Parts, fittings and tools

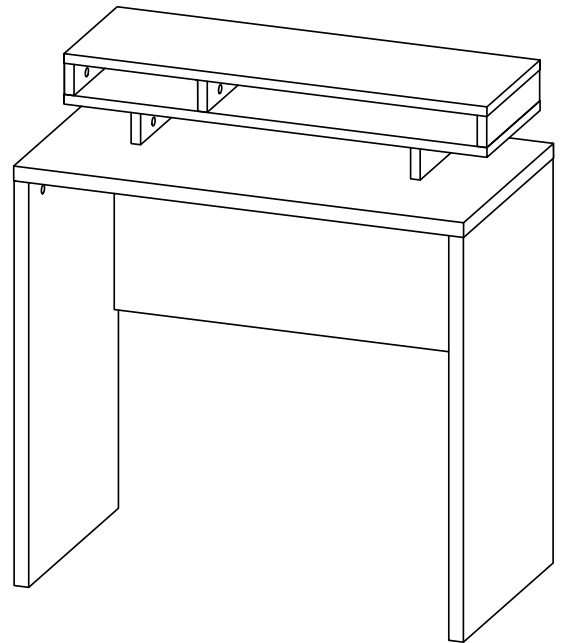
**F** **G**



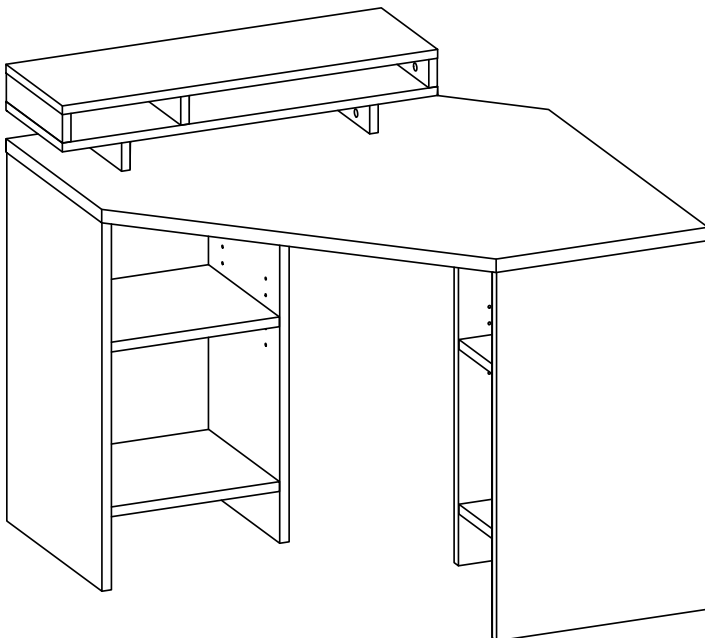
ABACUS Monitor stand hutch  
70202



ABACUS Filing desk LH, RH  
Stock number: 816 / 22370



ABACUS small desk  
Stock number: 816 / 22304



ABACUS corner desk  
Stock number: 816 / 22373

## Care guide

### Care and maintenance

#### Wood furniture

Wood displays different grain patterns depending on which way they are cut - for example, the 'medullary ray' which can appear on oak furniture is a mark of good quality timber - these are just characteristics of the natural beauty of the wood. Some furniture is also deliberately aged and rustic.

Wood veneers also allow a distinctive pattern to be created on some surfaces, such as tabletops and drawer fronts by the way slivers are arranged.

All timber and veneer surfaces will change colour and mellow over time. New furniture will initially vary in shade from items that have been previously purchased.

#### How to care for your wood furniture

Furniture with a hard lacquer, wax polish or painted surface should be dusted with a dry cloth.

Waxed furniture will need to be given a coat of beeswax a couple of times a year to help maintain its lustre.

Spray polishes are best avoided as they contain silicones which may spoil the furniture's surface when building up over time.

Make sure all surfaces are protected from heat and liquids by mats and coasters. Wipe up spills immediately and ensure that a mat or pad is placed under paper if you are writing.

Our furniture will endure most temperatures in the home, but it is best to avoid placing furniture next to heat sources such as radiators or fires. Be particularly careful with solid wood as the lack of humidity caused by home heating can cause damage such as warping.

#### Safety instructions

Never drag furniture when moving it, always lift it.

Periodically check all fixings to ensure none have come loose and retighten when necessary.

Please take care when handling or moving the furniture as careless handling may cause damage or injury.

Furniture can be dangerous if incorrectly installed. Assembly should be carried out by a competent person.

No liability will be accepted for damage or injury caused by incorrectly installed or assembled furniture.

Your feedback is very important to us and we would love to hear your comments on your new furniture.

Please visit our website to leave a review. Thank you.

Retain these instructions for future reference.