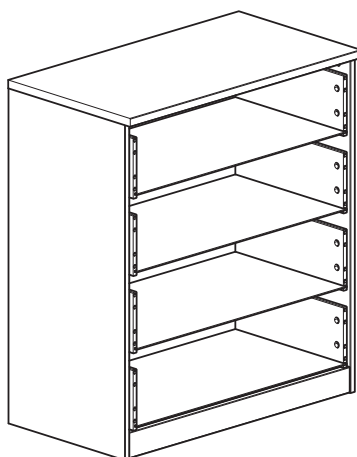


Mixit chest 4 drawers

Stock Code: 80319002 - 80319102 - 80319202

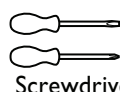
Thank you for purchasing this Mixit chest 4 drawers. Please read the instructions carefully before use to ensure safe and satisfactory operation of this product.



PRE-ASSEMBLY PREPARATION

Please ensure instructions are read in full before attempting to assemble this product.

Necessary Tools



Screwdriver



Spirit level



Drill



Eye protection



Ruler/tape
measure



Small hammer

Please check the pack contents before attempting to assemble this product. A full checklist of components is given in this leaflet. If any components are missing, please contact your the John Lewis Helpline.

This product is **HEAVY**, it should be assembled as near as possible to the point of use. **TAKE CARE WHEN LIFTING** to avoid personal injury and (or) damage to the product.

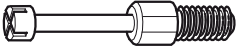

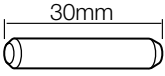


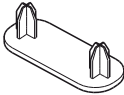



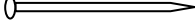

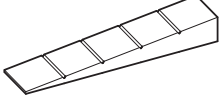

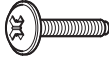

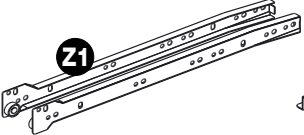
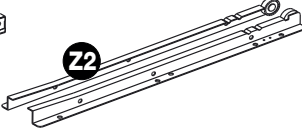
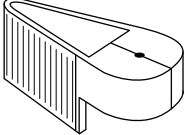
This product takes approximately **70 MINUTES** to assemble with **2 PEOPLE**.

The fittings pack contains **SMALL ITEMS** which should be **KEPT AWAY FROM YOUNG CHILDREN**.

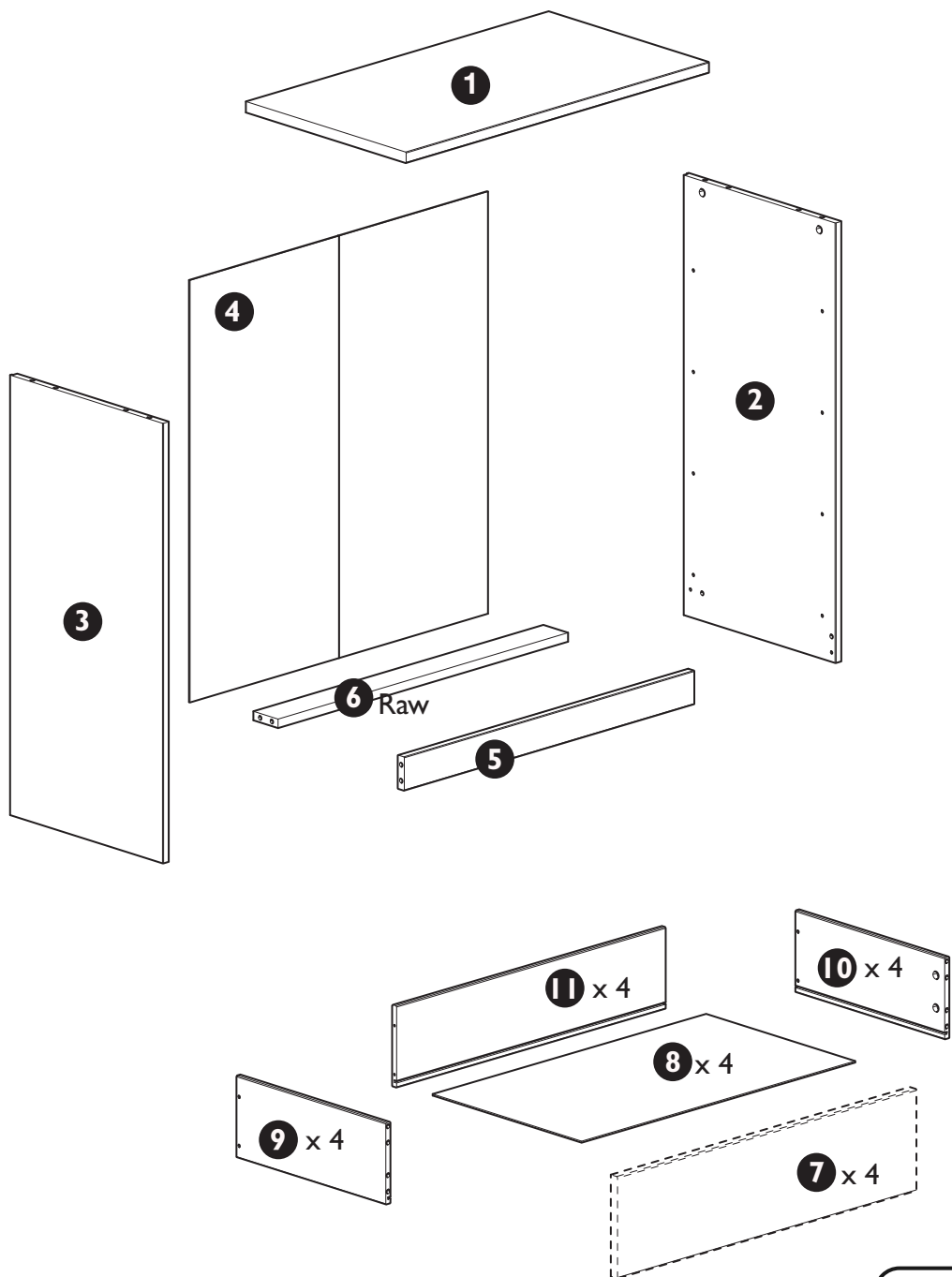
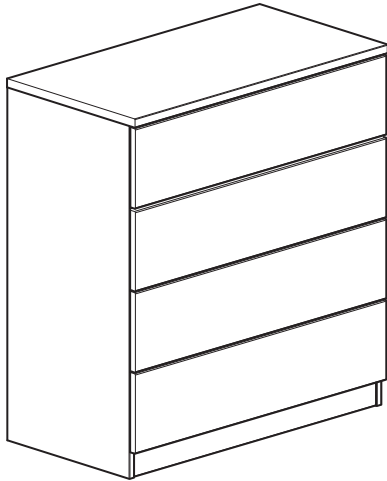
Read this leaflet in full before commencing assembly.

If you are missing some fittings please contact our spare parts helpline on 0330 005 9435. Opening hours are 9am - 5pm Monday to Friday.

Fittings checklist

<p>A</p>  <p>Metal dowel x 24</p>	<p>B</p>  <p>Long cam lock x 8</p>	<p>C</p>  <p>Wooden dowel x 24</p>
<p>D</p>  <p>Short cam lock x 16</p>	<p>E</p>  <p>30mm Screw x 16</p>	<p>F</p>  <p>Support foot x 4</p>
<p>G</p>  <p>Strap x 1</p>	<p>H</p>  <p>11mm Euro screw x 16</p>	<p>I</p>  <p>15mm Screw x 25</p>
<p>L</p>  <p>25mm Nail x 30</p>	<p>M</p>  <p>Bumper x 8</p>	<p>N</p>  <p>Levelling Wedge x 2</p>
<p>O</p>  <p>27mm Connector x 4</p>	<p>P</p>  <p>4Mx15 Connect. screw x 4</p>	<p>Q</p>  <p>Fixing block x 8</p>
<p>Z1  Z2 </p> <p>Pair of rollers 4</p>		<p>P1</p>  <p>Nail guide x 1</p>

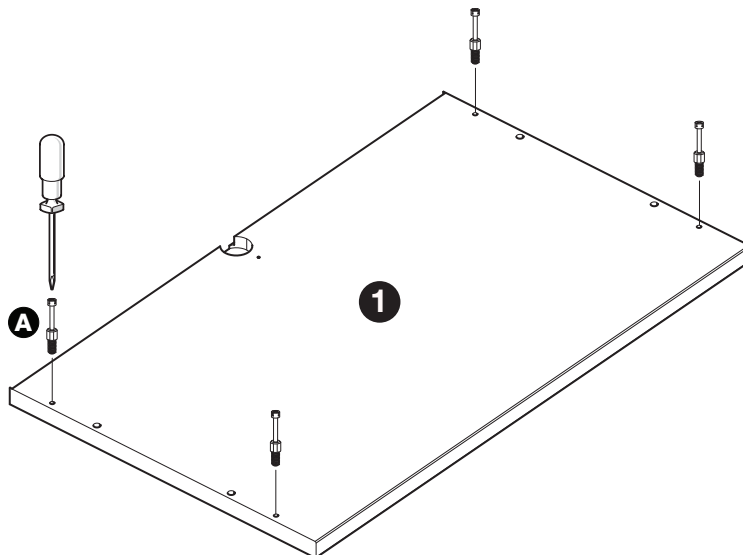
Parts checklist



Step by step assembly instructions

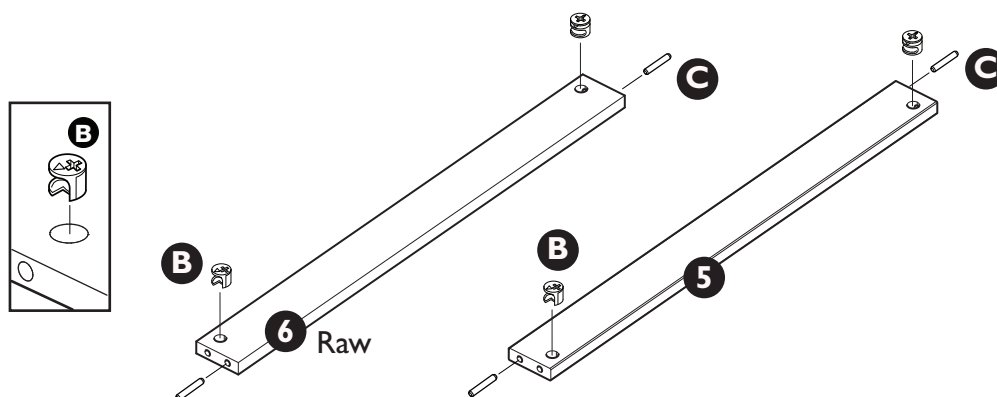
Step One

1. Attach 4x metal dowels (A) into the pre-drilled holes on top panel (1) as shown. Use a screwdriver to turn fitting (A) clockwise to fix.



Step Two

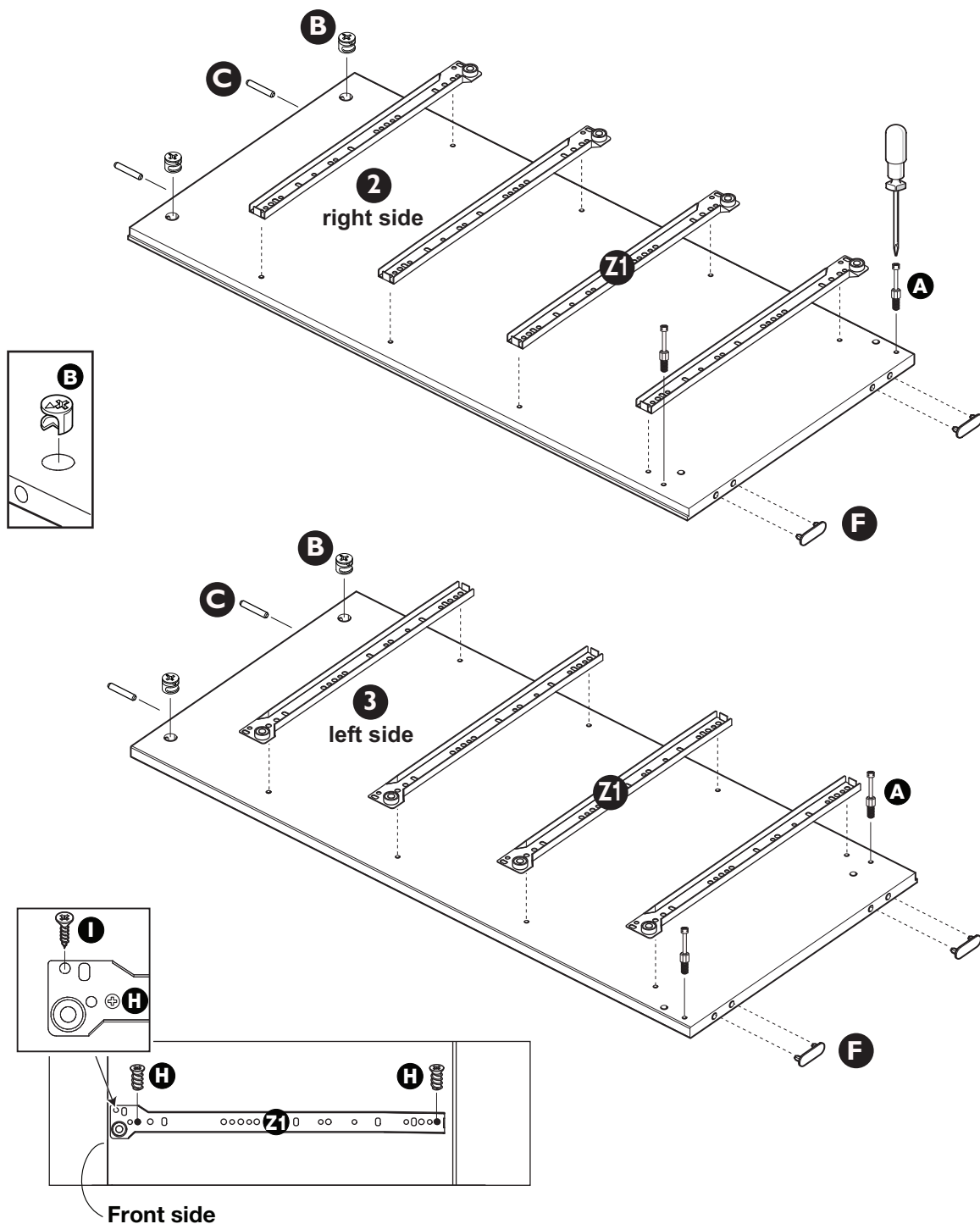
1. Attach 4x wooden dowels (C) into the pre-drilled holes on rails (5) (6) as shown.
2. Place the cam lock (B) into the holes on rails (5) (6) as shown, arrow pointing towards the bolt.



Step by step assembly instructions

Step Three

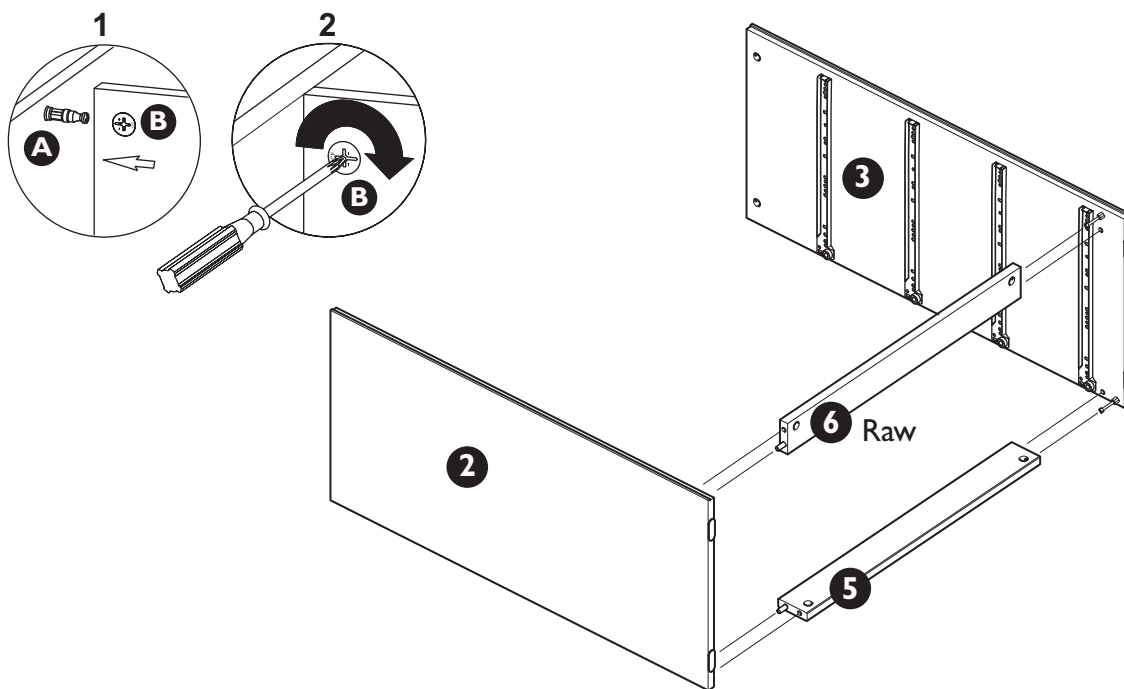
1. Attach 4x metal dowels (A) into the pre-drilled holes on side panels (2) (3) as shown. Use a screwdriver to turn fitting (A) clockwise to fix.
2. Attach 4x support foot (F) into pre-drilled holes on side panels (2) (3) as shown.
3. Fix 8x runner parts (Z1) to the side panels (2) (3) through holes shown in the detail view using 16x euroscrews (H) and 8x screws (I).
4. Attach 4x wooden dowels (C) into the pre-drilled holes on side panels (2) (3) as shown.
5. Place 4x cam lock (B) into the holes on side panels (2) (3) as shown, arrow pointing towards the bolt.



Step by step assembly instructions

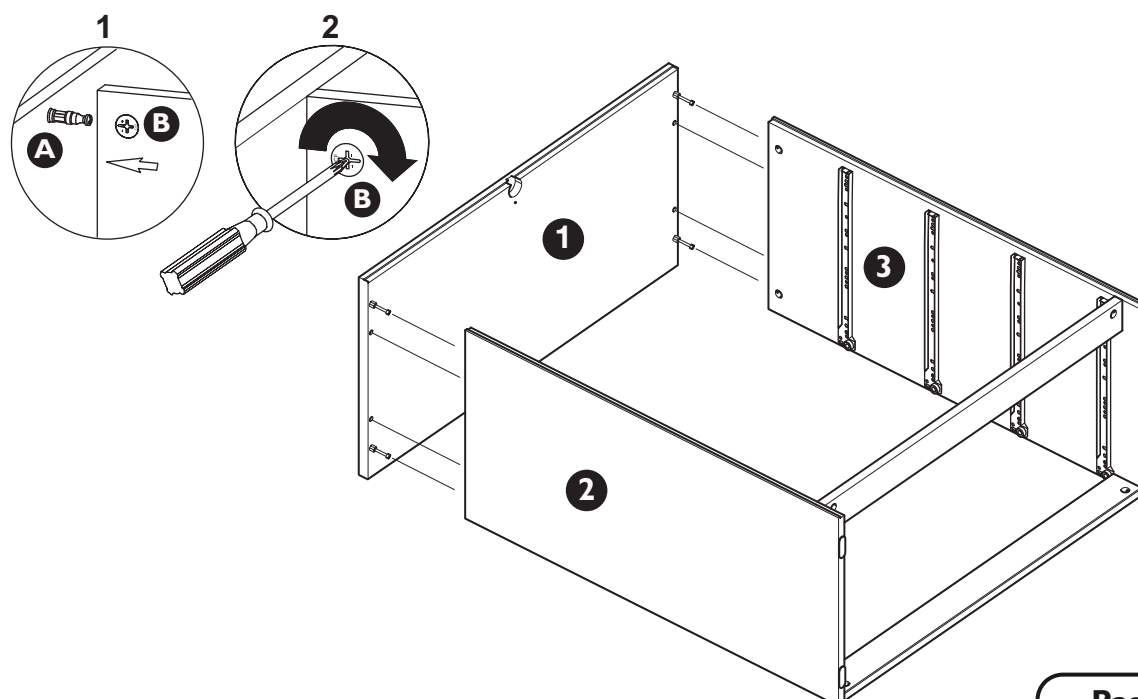
Step Four

1. Attach side panels (2) (3) to rails (5) (6) as shown. Ensure metal dowels (A) and wooden dowels (C) are aligned correctly with the holes of matching parts before attaching.
2. Secure side panels (2) (3) to rails (5) (6) using a screwdriver to turn fitting (B) clockwise to fix.



Step Five

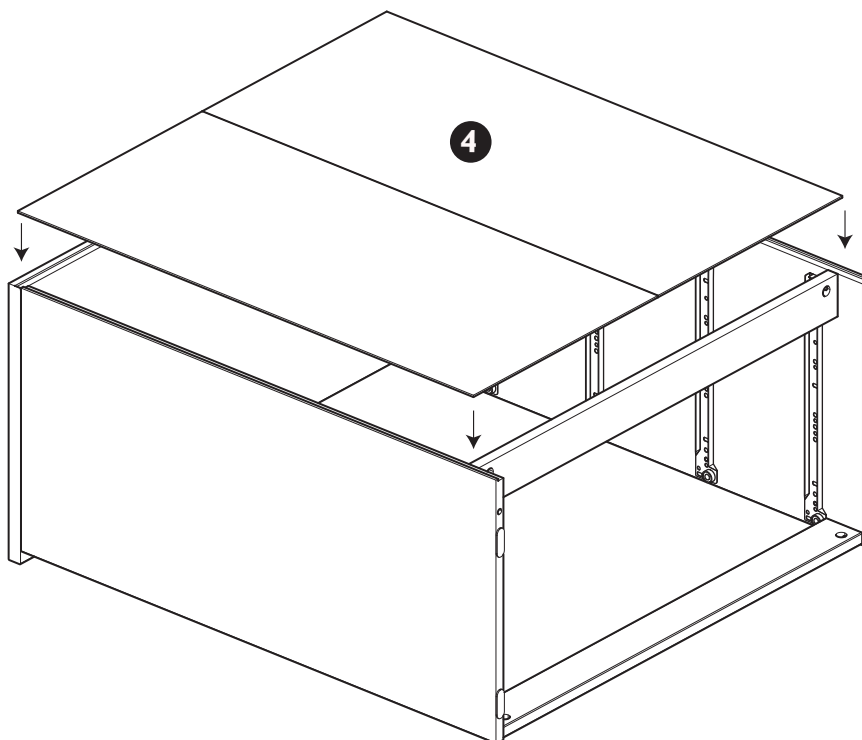
1. Attach top panel (1) onto sides (2) (3) as shown. Ensure metal dowels (A) and wooden dowels (C) are aligned correctly with the holes of matching parts before attaching.
2. Secure top panel (1) to sides (2) (3) using a screwdriver to turn fitting (B) clockwise to fix.



Step by step assembly instructions

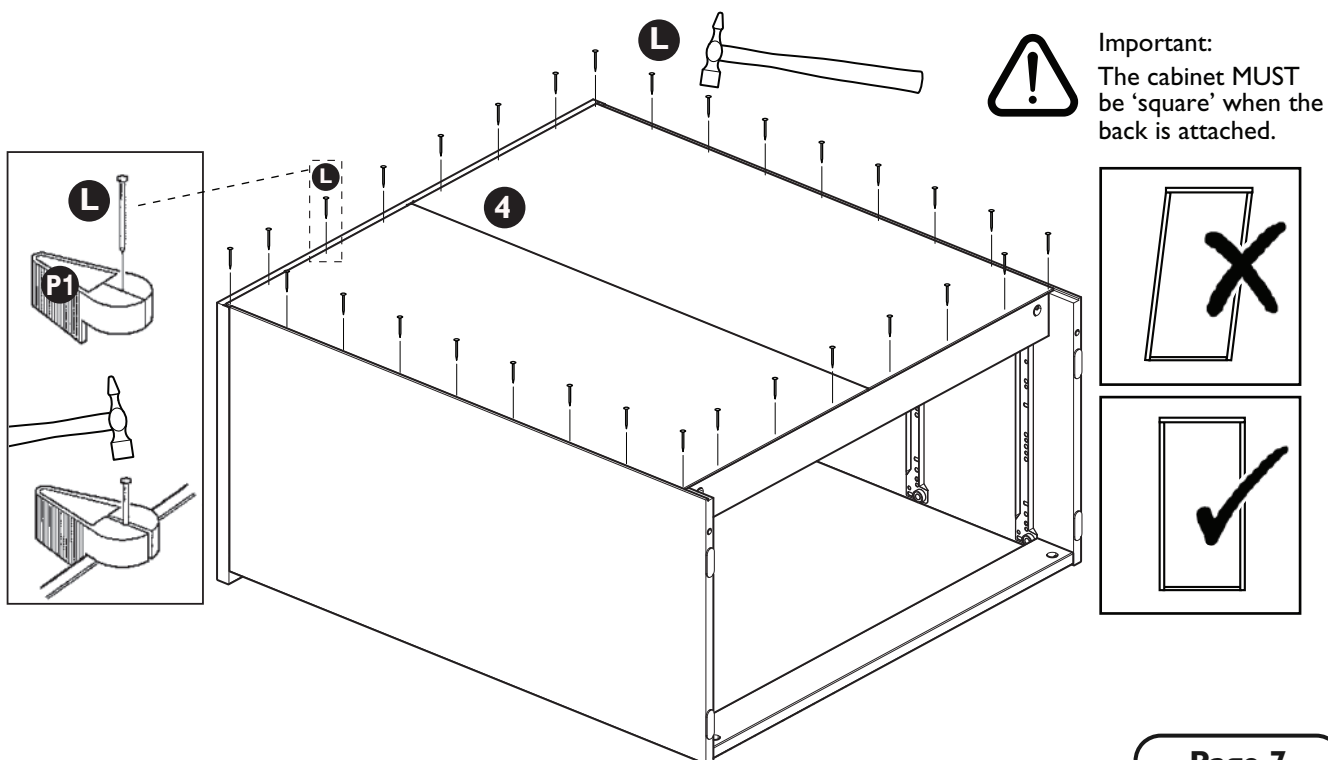
Step Six

1. Position back panel (4) as shown.



Step Seven

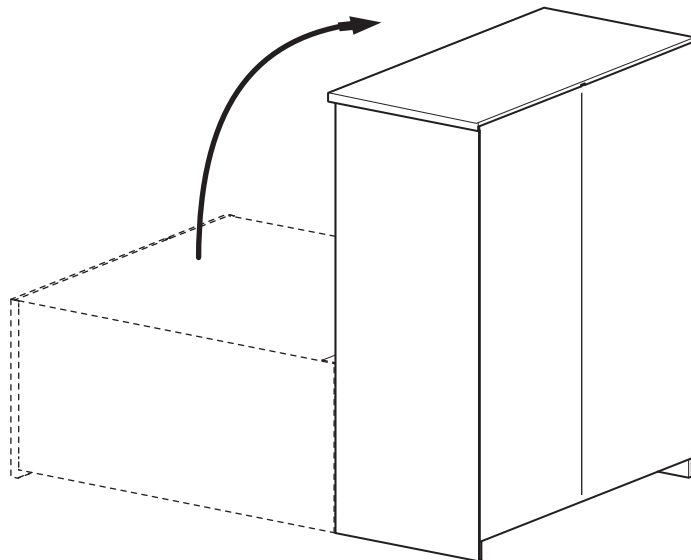
1. Attach back panel (4) onto back side of the unit using 30x nails (L), with the help of nail guide (P1).



Step by step assembly instructions

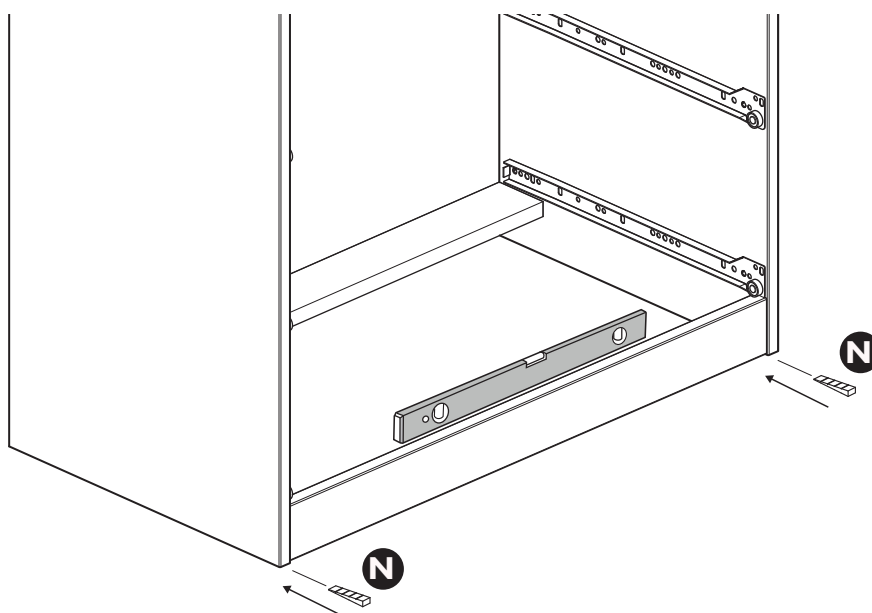
Step Eight

1. With help of an assistance, carefully stand up the unit upright.



Step Nine

1. Use 2x levelling wedge (N) to level the unit.

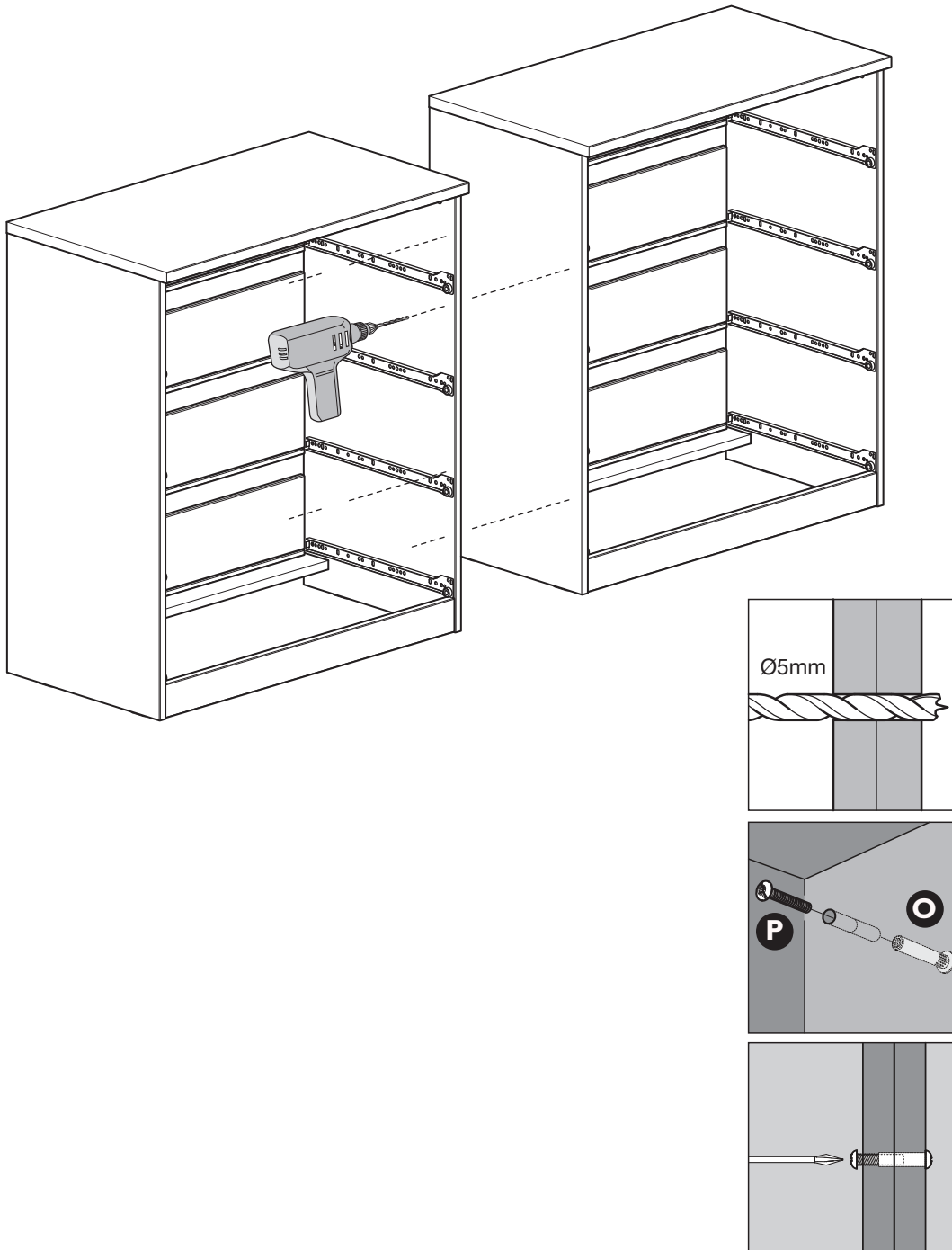


Step by step assembly instructions

Step Ten

Fittings have been supplied in order to join units together.

1. Place units together in their final position.
2. Decide position where to drill through using a $\text{\O}5$ mm bit.
3. Push the Connector (O) into the hole and then screw Bolt (P) in from the other side, tighten with a screwdriver.



Step by step assembly instructions

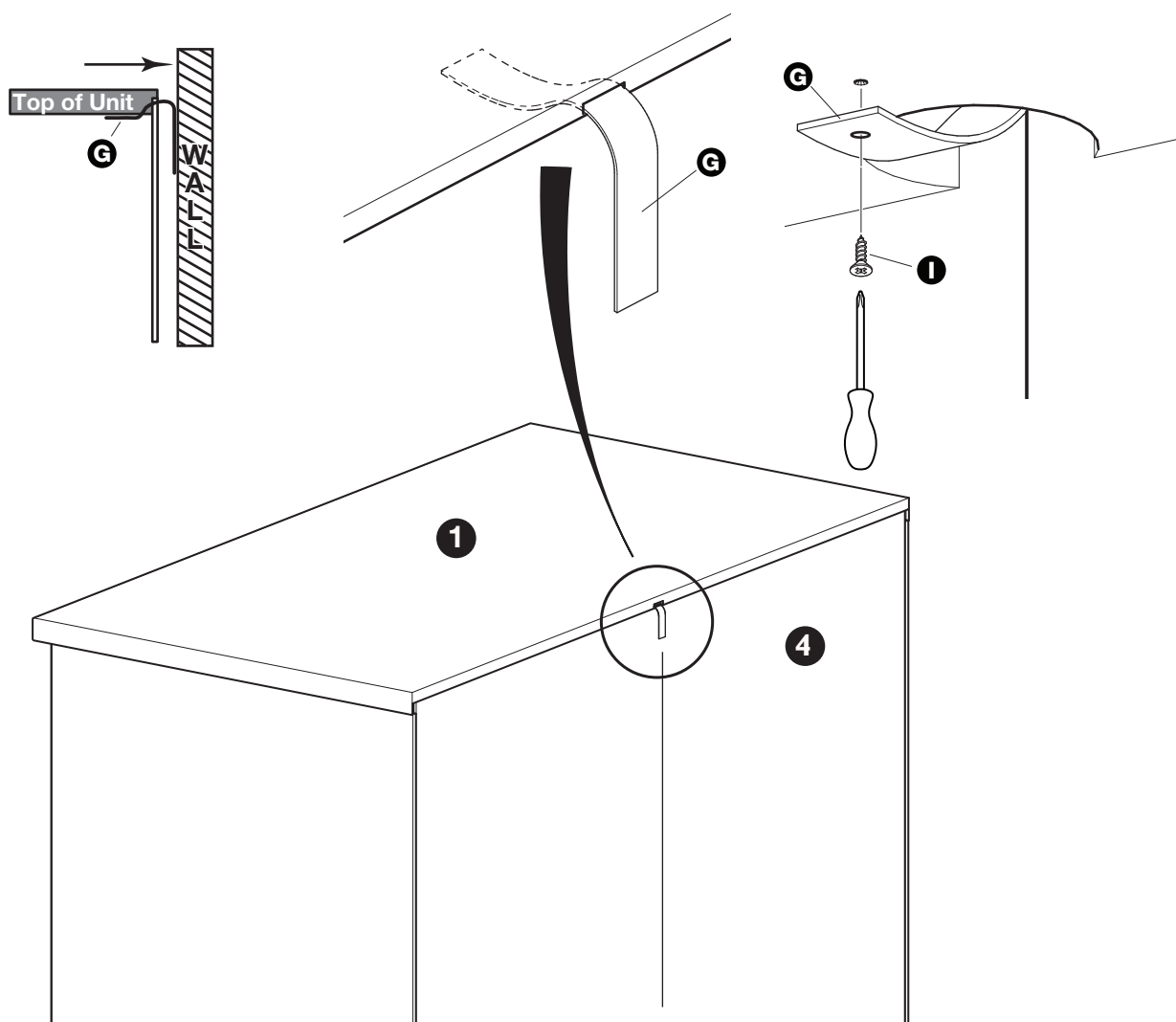
Step Eleven

To prevent possible overbalancing we recommend that this unit is secured to a suitable wall by use of wall strap (G) fitted to the Top of the unit.

1. Secure one end of the wall strap (G) to the wall.
2. Thread the other end of the wall strap (G) through the gap between the top (1) of the chest and the back panel (4).
3. Working from the front of the chest, fix the wall strap (G) to the underside of the top (1) using the wall strap screw (I).
4. Thread the screw through through the end of the wall strap (G) and into the pilot hole in the underside of the top (1).
5. Do not fix the wall strap (G) to any other component.

! IMPORTANT !

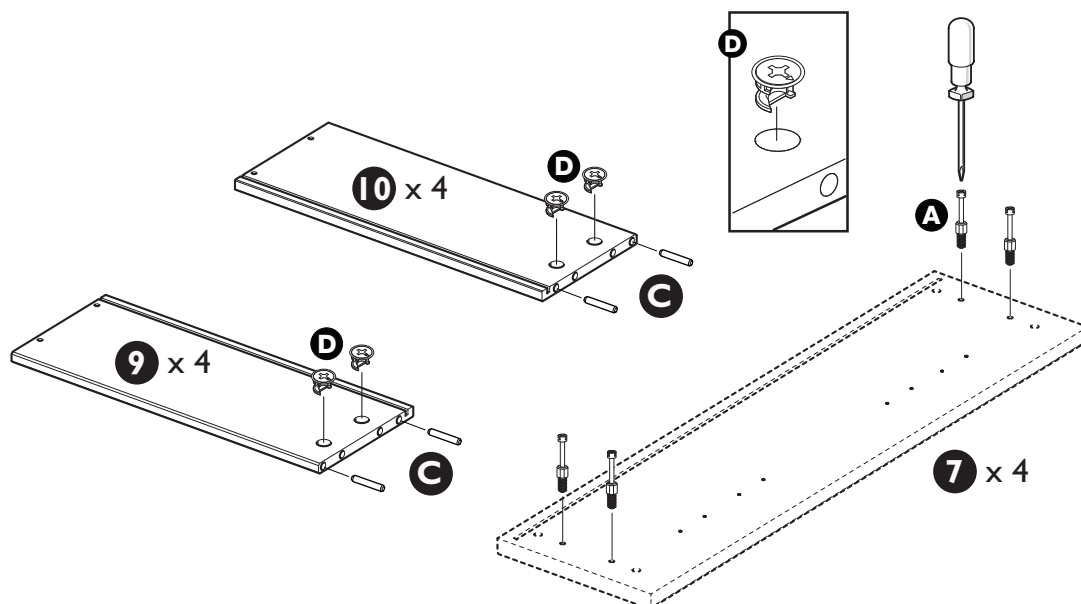
Take care when drilling the wall that you do not drill into any pipes, wires etc. If in doubt, consult an expert.
Wall plug and screw not included. See wall fixing guide at page 14.



Step by step assembly instructions

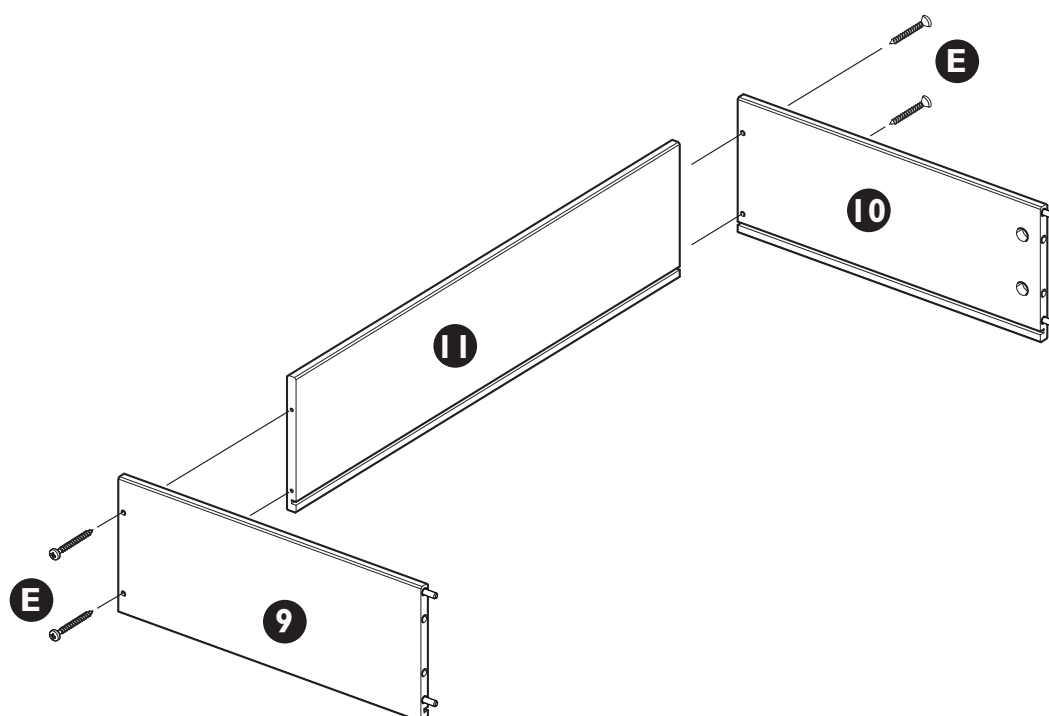
Step Twelve

1. Attach 4x wooden dowels (C) into the pre-drilled holes on drawer sides (9) (10) as shown, repeat for all drawers.
2. Place the cam lock (D) into the holes on drawer sides (9) (10) as shown, arrow pointing towards the bolt, repeat for all drawers.
3. Attach 4x metal dowels (A) into the pre-drilled holes on drawer front (7). Use a screwdriver to turn fitting (A) clockwise to fix, repeat for all drawers.



Step Thirteen

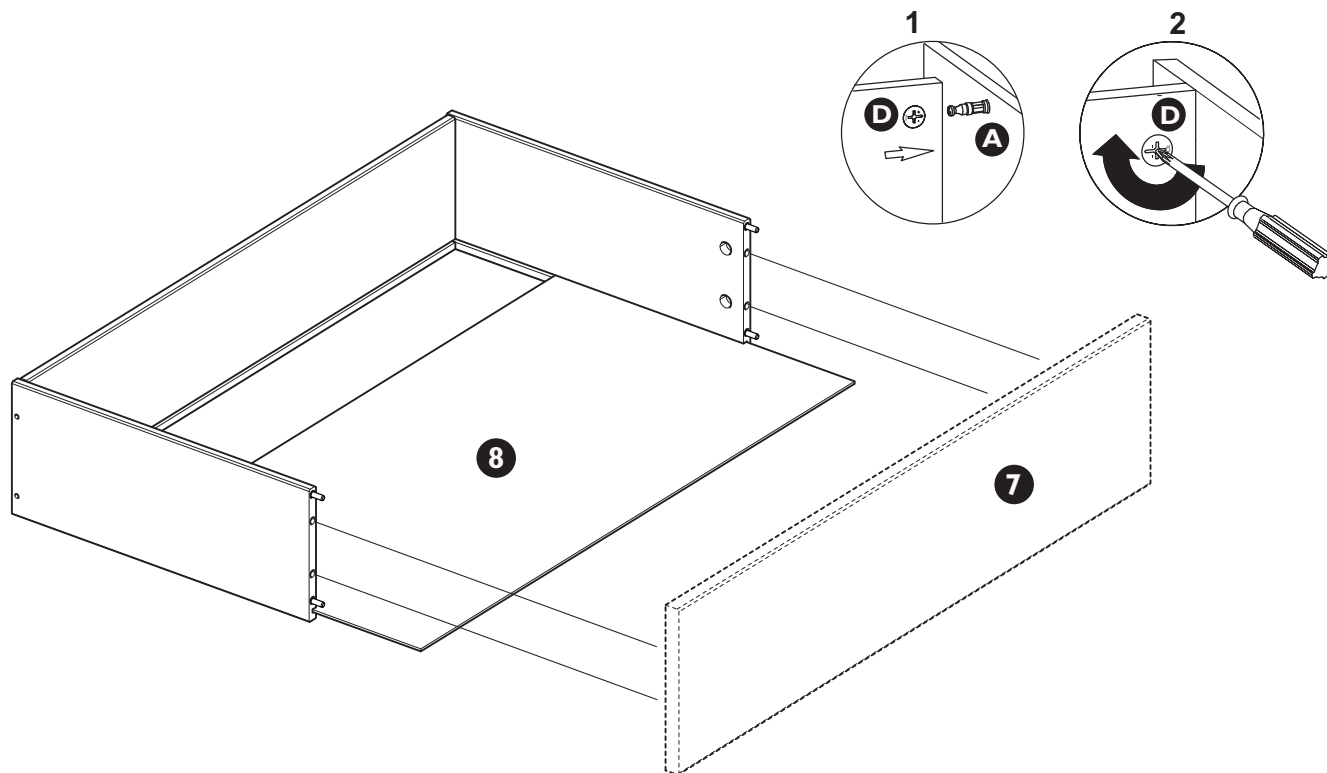
1. Fit the RH (10) and LH (9) drawer sides to the drawer back (11) using 30 mm screws (E), repeat for all drawers.



Step by step assembly instructions

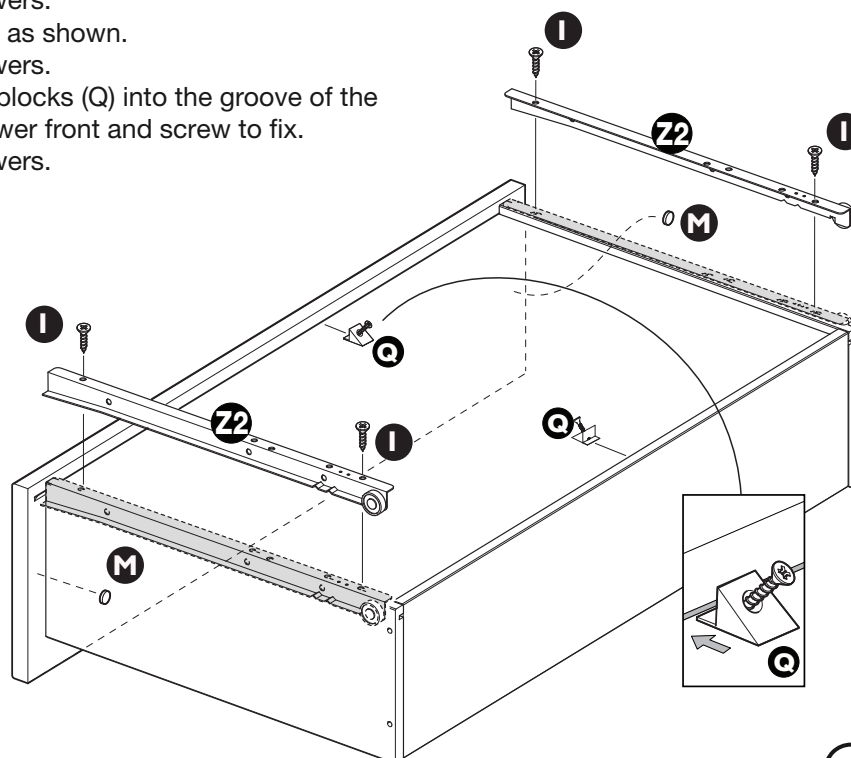
Step Fourteen

1. Slide drawer bottom panel (8) into the drawer box grooves.
2. Position drawer front (7) onto drawer box, turn locking nuts (D) clockwise to lock.
repeat for all drawers



Step Fifteen

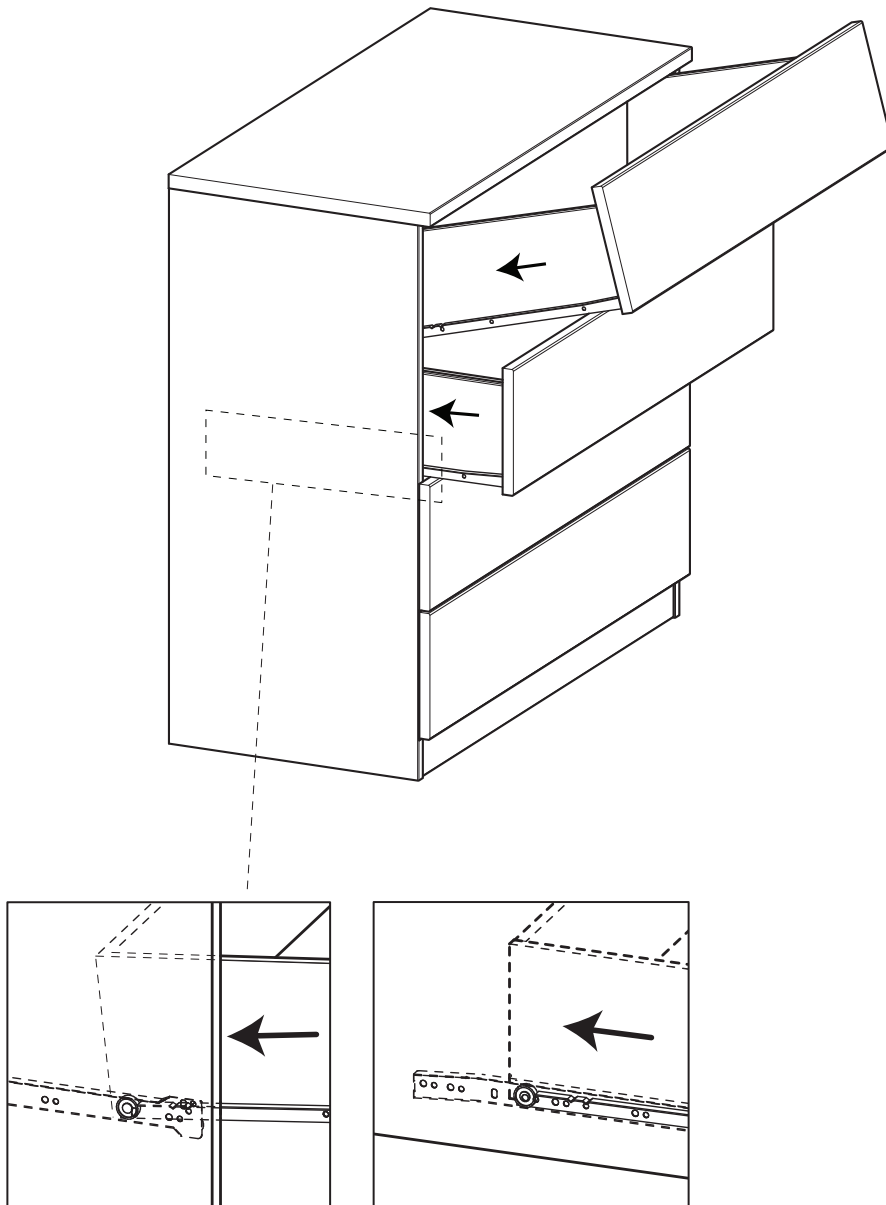
1. Fix runner part (Z2) onto the drawer using 4x screws (I)
repeat for all drawers.
2. Fix 2x bumper (M) as shown.
repeat for all drawers.
3. Position 2x fixing blocks (Q) into the groove of the drawer back, drawer front and screw to fix.
repeat for all drawers.



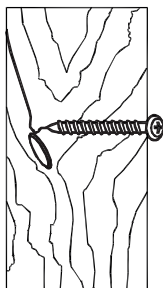
Step by step assembly instructions

Step Sixteen

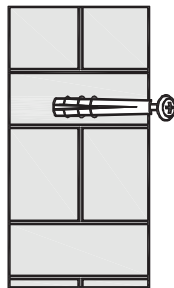
1. Tilt the drawer as shown.
2. Slide the drawer box along the runner parts until the stop.
Wheels and runner parts have to be correctly matched as shown.



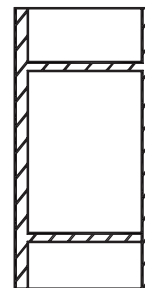
Wall fixing - if in doubt seek professional advice



Wood
If fixing to wood make sure that it isn't chipboard as screws can easily pull away from the core structure



Brick or Masonry
Use an appropriate wall plug provided you are sure your wall is sound.



Cavity wall
Special toggle wall plugs are needed. Seek expert advice.

Care and Maintenance

This product has been manufactured using modern manufacturing methods and materials. With appropriate in-home care and maintenance it will provide trouble free performances. Many domestic multipurpose cleaning agents are unsuitable for use on this product. The use of aggressive chemicals can result in irreversible damage.

Please follow these guidelines carefully.

USE only 5% soap, 95% water solution, wiping with a damp (not wet) cloth.

Finally dry with a soft clean cloth. Dust with a soft clean cloth only.

DO NOT USE wax furniture polish, abrasive or aggressive cleaners, bleach or hypochlorate (chlorine) based cleaners, multi-purpose cleaners, dilutes, acetone, alcohol, solvent or similar products.

Safety Instructions

Never drag furniture when moving it, always lift it.

Periodically check all fixings to ensure none have come loose and re-tighten when necessary.

Please take care when handling or moving the furniture as careless handling may cause damage or injury.

Furniture can be dangerous if incorrectly installed. Assembly should be carried out by a competent person. No liability will be accepted for damage or injury caused by incorrectly installed or assembled furniture.

It is recommended that before moving a heavy object to a new location it is completely dis-assembled to avoid personal injury or damage to the furniture. Please be careful to retain all fittings when doing this.

This product is designed to be fixed securely to a sound wall in the manner stated.

It must under no circumstances be used free-standing. No liability will be accepted for damage or injury caused by inadequate fixing or use without fixing.

PLEASE KEEP THESE INSTRUCTIONS FOR FUTURE REFERENCE

John Lewis Partnership 171 Victoria Street London SW1E 5NN

www.johnlewis.com