

Anna cot

Instruction manual



John Lewis

IMPORTANT
RETAIN FOR FUTURE REFERENCE
PLEASE READ CAREFULLY

Thank you for purchasing this Anna cot. Please read the instructions and warnings carefully before use to ensure safe and satisfactory operation of this product.

Your child's safety is your responsibility. If you have a query with this product or require replacement parts, please contact your nearest John Lewis department store.

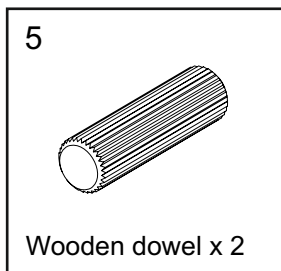
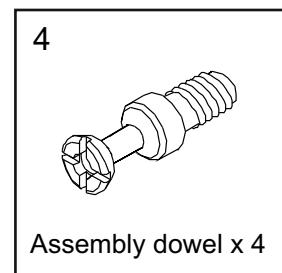
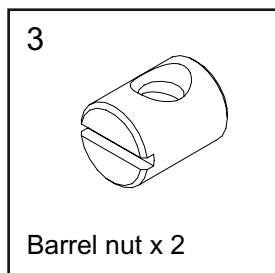
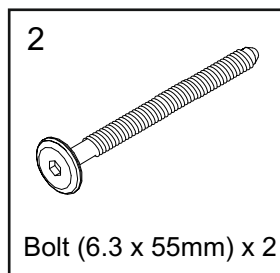
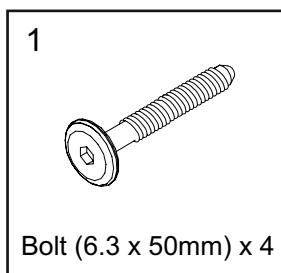
Lay out the parts on a soft level surface and compare to the part and fixings checklist on page 2. Do not discard any packaging until you are sure that you have all the parts.

Keep children clear during assembly as pack contains small parts which may present a choking hazard.

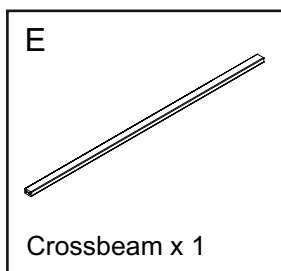
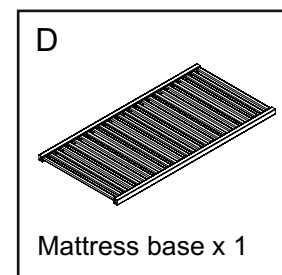
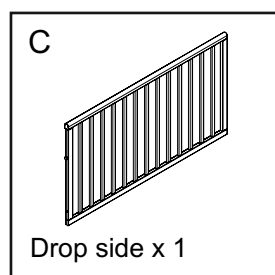
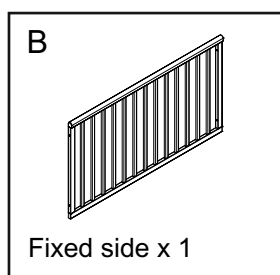
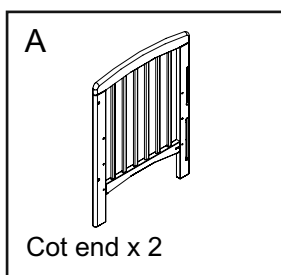
Recommended mattress: 60 x 120cm

This product complies with BS EN 716-1&2:2008 + A1:2013

Fixings

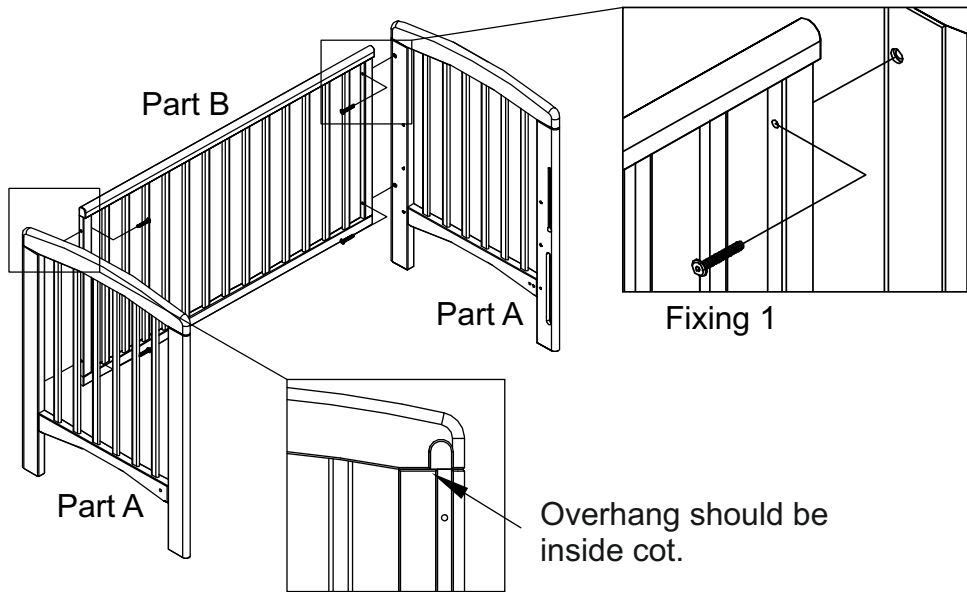


Parts



You will need:
1 x Cross-headed screwdriver
1 x Flat-headed screwdriver
1 x Allen key (supplied)

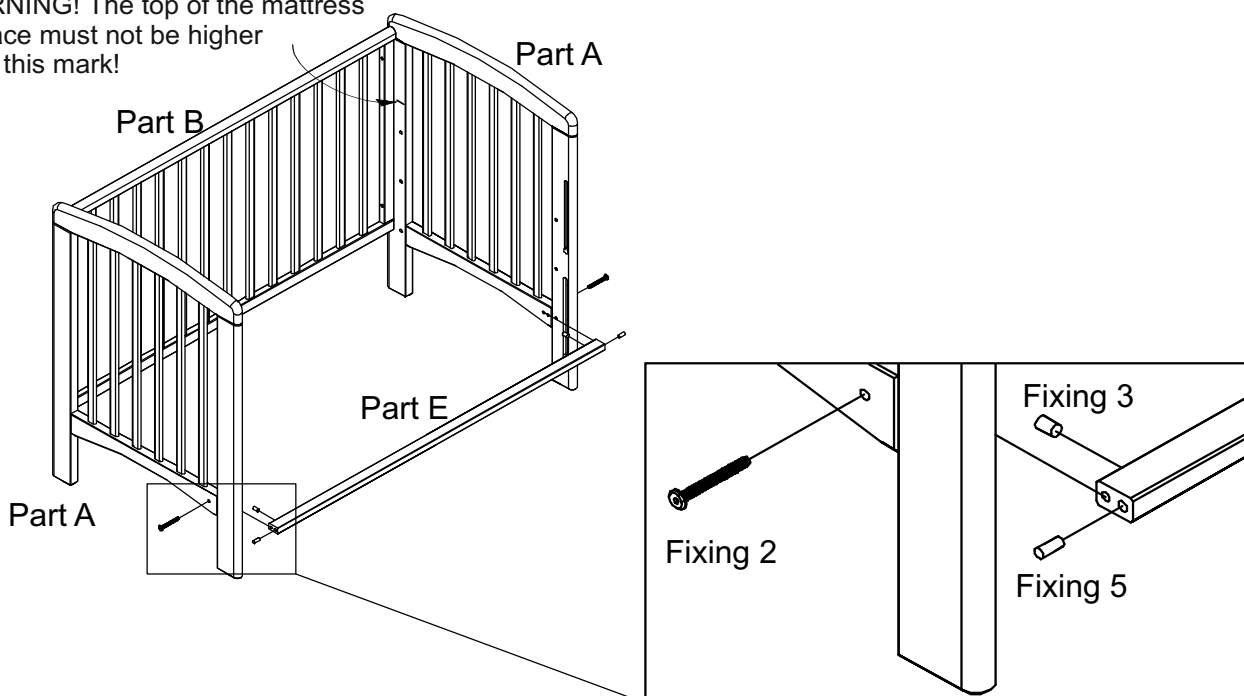
Step 1



Assemble the fixed side (part B) to the cot ends (part A) using four 50 mm bolts (fixing 1). Note the fixed side should be assembled to the cot end legs on the side without dropside grooves and side's top overhang should be inside cot. Do not tighten bolts at this step.

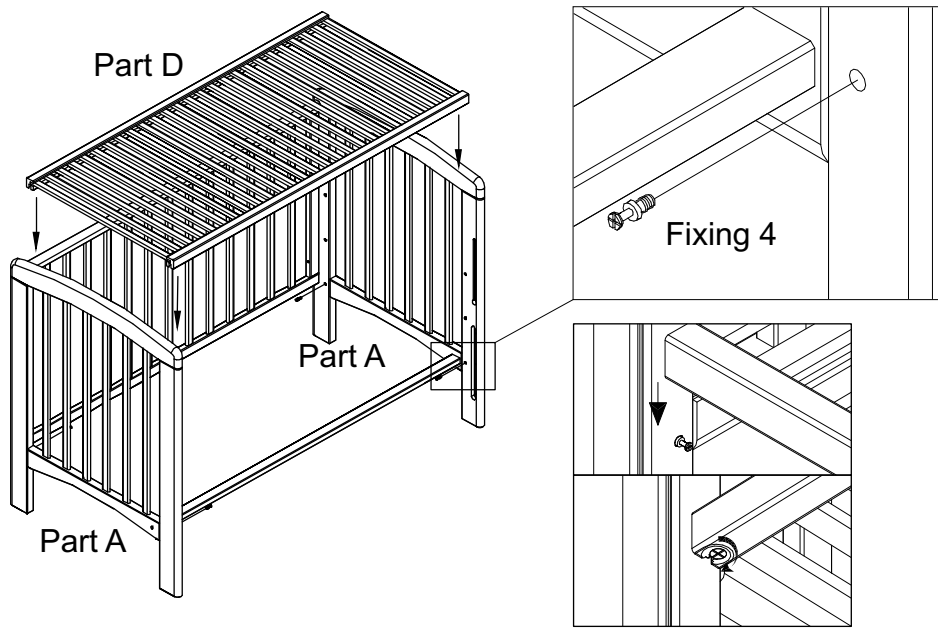
Step 2

WARNING! The top of the mattress surface must not be higher than this mark!



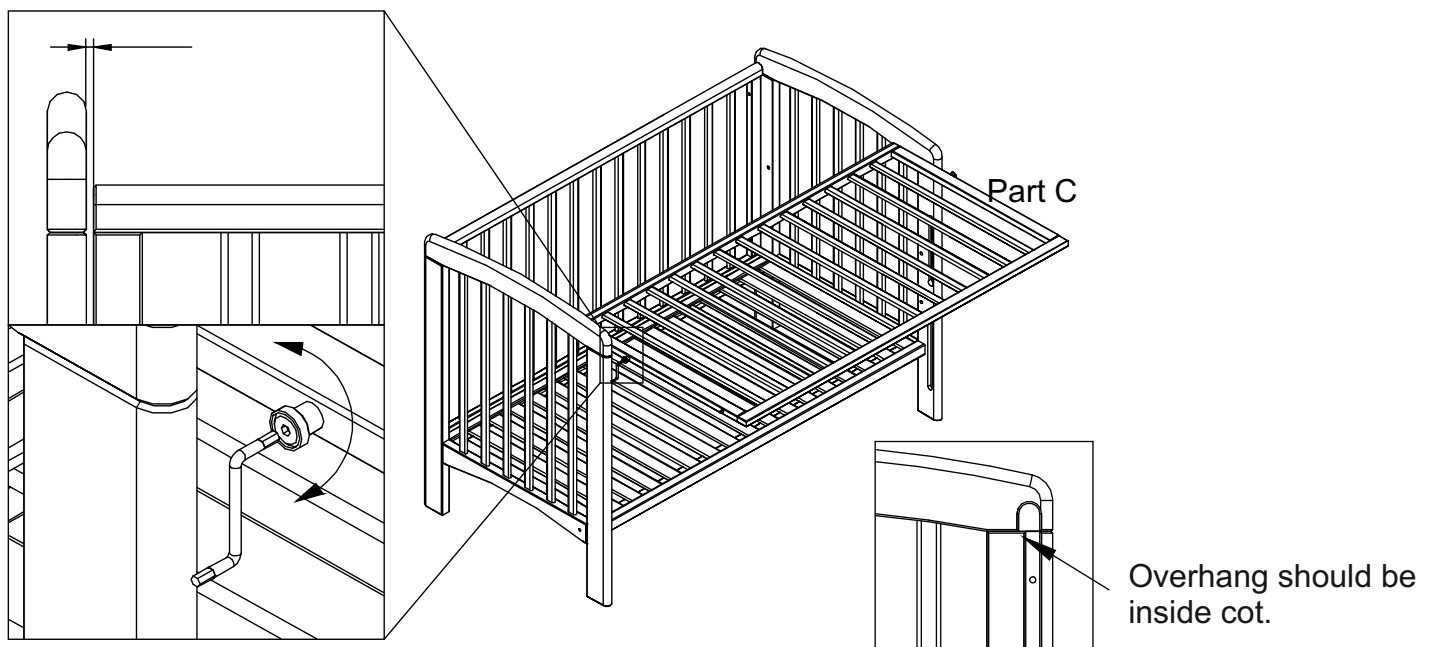
Attach crossbeam (part E) to the cot ends (part A) inserting barrel nuts (fixing 3) and wooden dowels (fixing 5) into the crossbeam. Then insert bolts (fixing 2) through the holes in the cot ends into barrel nuts (fixing 3). Do not tighten bolts.

Step 3



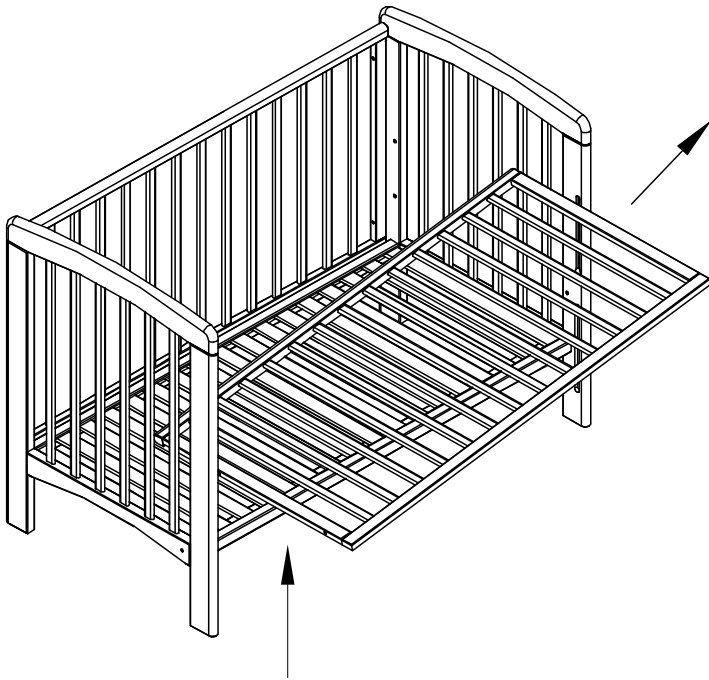
The cot has a choice of three mattress base height positions. Screw four assembly dowels (fixing 4) into lower, middle or upper mattress base position on the inside of the cot ends (part A). Note the dropside is only functional when the mattress base is in its lowest position. The lowest base position is the safest, and should be used as soon your baby is old enough to sit up. Drop mattress base (part D) onto assembly dowels. Tighten the cams on front underside of mattress base using a crosshead screwdriver.

Step 4



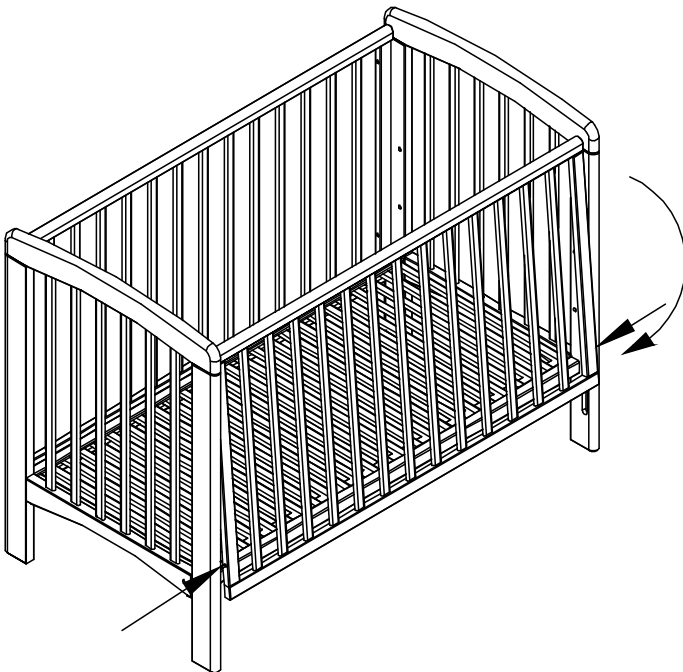
Adjust the wheel runners so that the dropside (part C) run smoothly. Drop side's top overhang should be inside cot.

Step 5



For installation of drop side insert the drop side runner into the one cot end groove. Move the second drop side runner into another cot end groove and gently push the drop side upwards.

Step 6

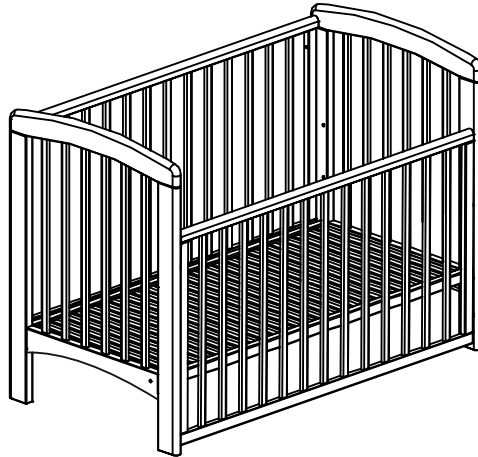
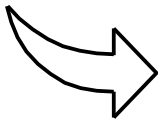


Securely tighten all bolts. On the drop side ends there is a pin with a spring. Slide the pin into the cot ends and swing the drop side down so that it is securely in position.

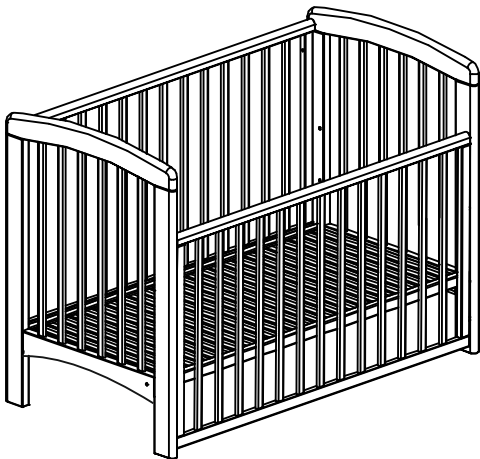
How to lower drop side



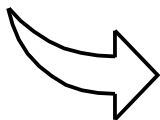
- 1 Lift dropside 2 cm up
- 2 Carefully push dropside bottom inwards
- 3 Lower dropside until it locks in lower position



How to lift drop side



- 1 Lift dropside 2 cm up
- 2 Carefully push dropside bottom inwards
- 3 Lift dropside until it locks in upper position



Care and maintenance

Your furniture may be cleaned by wiping with a damp cloth and drying with a soft clean cloth.

Do not use abrasives, bleach, alcohol or ammonia-based household polishes.

Take care when handling or moving the furniture. Careless handling may cause damage.

Safety notes

Furniture can be dangerous if incorrectly installed. Assembly should be carried out by a competent person.

Keep children clear during assembly as pack contains small parts which may present a choking hazard.

WARNING: Be aware of the risks of open fires and other such sources of strong heat, such as electric bar fires, gas fires, etc. in the near vicinity of the cot.

WARNING: Do not use the cot if any part is broken, torn or missing and use only spare parts approved by the manufacturer.

WARNING: Do not leave anything in the cot or place the cot close to another product, which could provide a foothold or present a danger of suffocation or strangulation, e.g. strings, blind/curtain cords, etc.

WARNING: Do not use more than one mattress in the cot.

The lowest base position is the safest, and should be used as soon as your baby is old enough to sit up.

WARNING: Always ensure the dropside is in the highest position if you are leaving the child unattended in the cot.

The thickness of the mattress chosen must not reduce the internal depth (from the top of the mattress surface to the top of the side) to less than 500mm with the base in its lowest position or 200mm with the base in the highest position. The inside face of the leg of the cot has a mark indicating this height.

The mattress should be no more than 30 mm shorter or narrower than the internal length or width of the cot. Cot is suitable for use with a mattress of 1200 mm in length, 600 mm in width and a maximum thickness of 100 mm.

All assembly fixings should always be tightened properly. Care should be taken that no screws are loose because a child could trap parts of their body, or clothing (e.g. strings, necklaces, ribbons, dummies, etc) which could pose a risk of strangulation.

To prevent falls, when the child is able to climb out of the cot, the cot should no longer be used for that child.

Do not allow your child to jump on the cot. This may result in damage to the furniture and/or injury to your child.

Retain this information leaflet for future reference.

John Lewis Partnership
171 Victoria Street
London
SW1E 5NN
www.johnlewis.com