

John Lewis

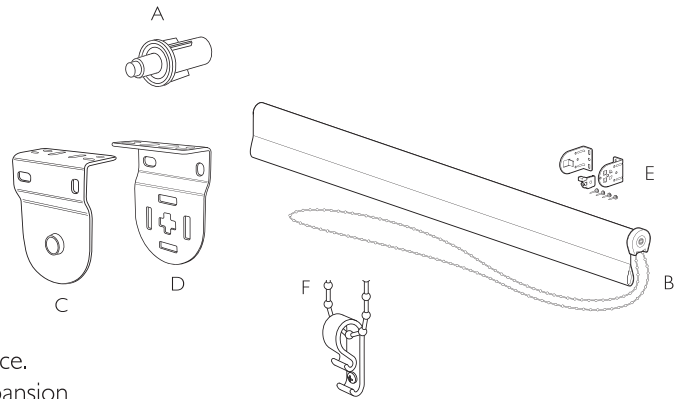
Roller blind

Thank you for purchasing this product. Please read the instructions and warnings carefully before use to ensure safe and satisfactory operation of this product. It is recommended that this blind should only be installed by persons competent in DIY.

Please list instructions in a numbered list

Please check the contents

- 1 Pin end unit (A)
- 1 Metre chain operated side control unit with chain (B)
- 1 Pair of metal fixing brackets (C and D)
- 5 Screw and wall plugs (E)
- 1 Safety clip (F)



Please note: Additional fasteners other than those sent with your blind may be required depending on the mounting surface. Wallboard and plaster require the use of anchors such as expansion or toggle bolts. Brick, tile or stone need special plugs and drill bits. Remember to always pre-drill holes in wood to avoid splitting.

1. Positioning the blind

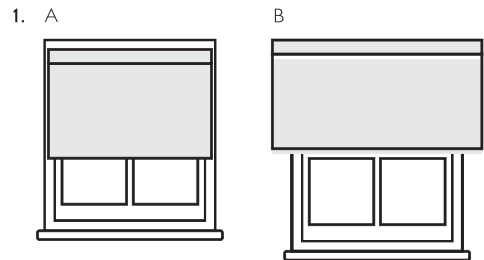
1. A Inside the recess

Decide the position of the blind so that it will be clear of any latches and fixtures. If you need to reduce the width of the blind to fit the recess, this should be done before assembling.

See "Reducing the width" instructions below.

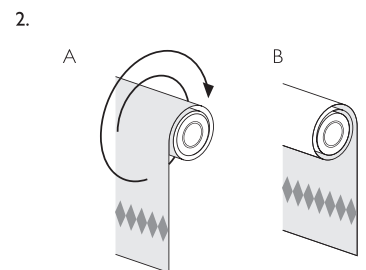
1. B Outside the recess

Decide the position of the blind so that the overlaps on both sides are equal. It is advisable to allow a minimum of 5cm overlap on each side.



2. Assembling the blind

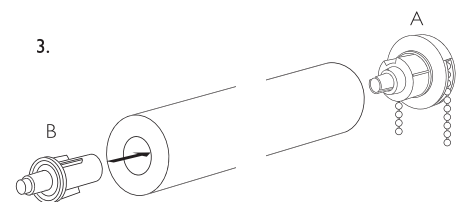
Note that the "face" of the fabric has a protective finish that is shinier than the "back". On some finishes of blind, the protective coating is not so obvious therefore all blinds are packed reverse wound onto the roller with the face of the fabric outermost. Blinds are normally hung so that the fabric is drawn down from the back of the roller next to the window, with the face of the fabric towards the room. This means you will need to unroll (2A) fully the blind as packed. Then roll the fabric back in the opposite direction, taking great care that the fabric fold remains absolutely straight on the tube (2B).



3. Side control system

When installing the side control system it is essential to position the chain connector correctly. Position the connector at the top on the chain at the front of the control system, for left hand insertion into the tube; or at the top of the chain, at the back of the control system, for right hand insertion into the tube.

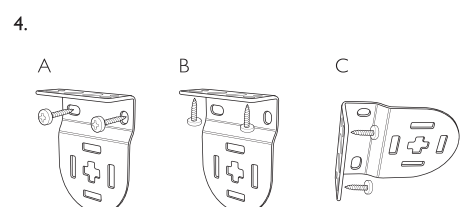
Decide which end of the blind you want the operating chain. (3B) Push the chain-operated side control unit firmly into the roller tube. Repeat at the other end with the pin end unit 3.A.



4. Fixing the brackets

Remove the plastic covers from the 2 brackets.

- a. The brackets are designed for side, face, or top fixing to frame, wall, or ceiling.
- b. Put the pin end (3B) of the fitting into the desired end of the roller blind centre tube. Push the pin end of the roller fitting into the metal bracket C. *The pin end of the fitting is spring loaded, allowing enough tension to fit the blind between the two wall brackets.
- c. Put the chain operating side control (3A) into the opposite end of the roller blind centre tube. Fix the chain operating side control into metal bracket.
- d. Present the blind and brackets to the desired position. It is important for the operation of the blind that it is level and square. Check using a spirit level.



- e. Mark the location of both end brackets with a pencil.
- f. Take the blind down and remove the brackets.
- g. Place one of the brackets on its location markings and mark through the desired screw hole positions.
- h. Use the screws supplied to fix the bracket to wood. For masonry, use masonry plugs.
- i. Double check the location of the other brackets so that both are level and square with the recess. Repeat step g. and h. for fixing the second bracket.

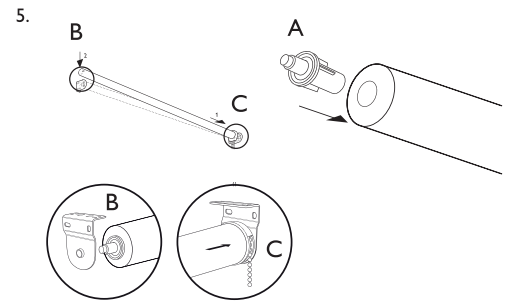
5. Installing the blind

5A. Locate the pin end of the roller blind fitting in to bracket

5B. Push the blind towards the bracket, allowing the pin end to contract. At the same time, locate the side control unit onto bracket C, allowing all three parts of the fitting to slot into place on the bracket. Remove the strips of adhesive tape on each end of the bottom bar and press lightly along the fabric to secure it to the bottom bar.

Shortening the chain

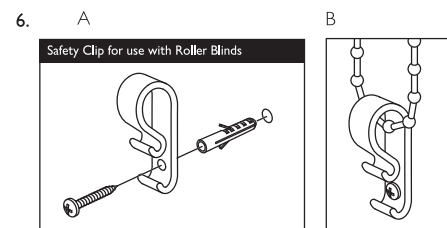
If the chain needs to be shortened, then simply undo the chain connector, cut one end of the chain to reduce the chain to the required length. Re-connect the chain using the same chain connector.



6. Fixing the safety device

6A. The P safety clip is designed for fitting onto an adjacent surface to the blind to eliminate a free hanging loop. Pull the cord/chain up into the P shaped clip and place clip onto an adjacent wall or where the clip is to be fixed so that the loop can't be easily reached. The fixed device should be installed at the maximum distance possible from the control mechanism to prevent the looped pull cord becoming slack.

6B. Make sure the cord/chain is pulled tight and screw the clip in place.



7. Reducing the width

Tools required are a hacksaw and sharp, heavy duty scissors, or a craft knife.

Unroll the blind fully. Slide ONLY the required amount of fabric out of the side of the tube that needs to be trimmed off. DO NOT REMOVE ALL THE FABRIC FROM THE TUBE.

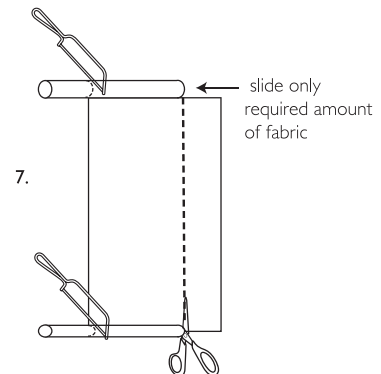
If patterns or detail need to be kept symmetrical, then cut equal amounts from both ends.

To fit a recess, carefully measure its width and deduct 3.3cm. Mark this measurement and cut the roller tube with the hacksaw.

The fabric width should be cut 0.2cm less than the roller tube. Mark the measurement and trim the fabric to the new width using scissors or a craft knife.

Cut the bottom bar to the same width as the fabric using the hacksaw.

Replace any end caps or finials. If the fabric comes loose on the stitched bottom pocket, apply double-sided tape to the bottom bar and secure.



8. Care and maintenance

The fabric may be dusted using a dry cloth. To clean, wipe with a barely damp cloth.

To remove the blind, first lift up the side control (B) from its locating bracket. Next push the blind in the direction of the sprung pin end unit (A) at bracket. Pull the blind gently forwards and remove.

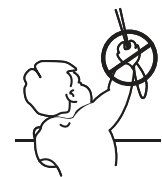
WARNING!

Please read all safety warnings and installation information fully before installation.

Young children can be strangled by loops in pull cords, chains, tapes and inner cords that operate the product. To avoid strangulation and entanglement, keep cords out of the reach of young children. Cords may become wrapped around a child's neck. Move beds, cots and furniture away from window covering cords.

Do not tie cords together. Make sure cords do not twist and create a loop. The safety clips should be positioned high enough to be out of reach of small children yet accessible to adults.

All safety clips for blinds need to be fixed to a solid surface using a screw and fixing suitable for the wall or surface material. These items should not be glued or stuck in place. The head rail shall not be installed less than 1.5m from the floor.



For further information go to: www.makeitsafe.org.uk

Keep out of the reach of young children.
Small parts - choking hazard

John Lewis Partnership
171 Victoria Street
London SW1E 5NN
johnlewis.com

Batch code:

Please retain these instructions for future reference.

For identification mark see bottom bar.

