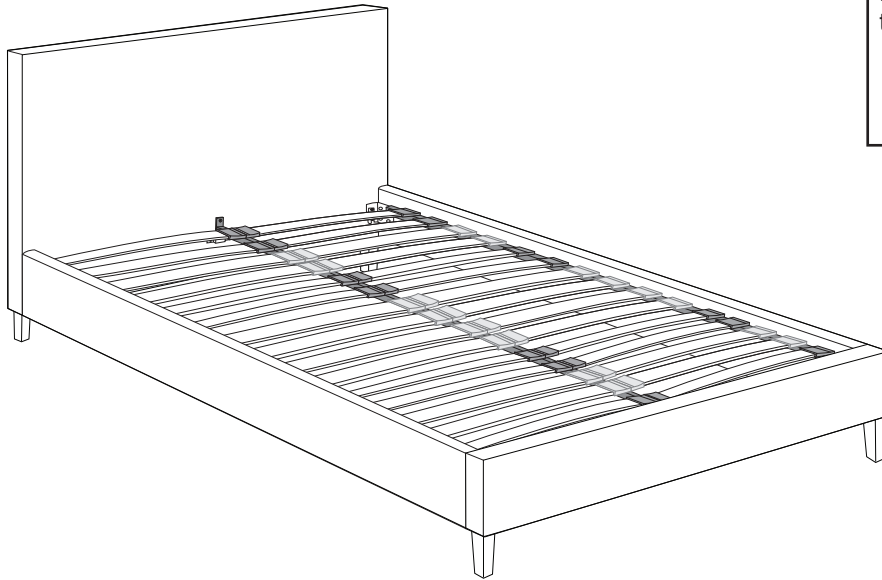


Emily Bed

Small Double, Double

Thank you for purchasing this Emily bed. Please read the instructions carefully before use to ensure safe and satisfactory operation of this product.



For product support or spare parts please call the John Lewis Helpline;

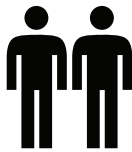
T: 01244 689949

E: mail@fwgroup-uk.com

PRE-ASSEMBLY PREPARATION

Please ensure instructions are read in full before attempting to assemble this product.

Necessary Tools



Please check the pack contents before attempting to assemble this product. A full checklist of components is given in this leaflet. If any components are missing, please contact the John Lewis Helpline.

This product is **HEAVY**. It should be assembled as near as possible to the point of use. **TAKE CARE WHEN LIFTING** to avoid personal injury and (or) damage to the product.



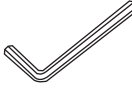
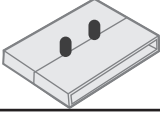
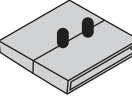
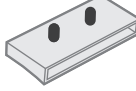
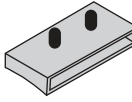
This product takes approximately **40 MINUTES** to assemble with **2 PEOPLE**.

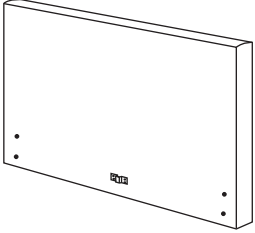
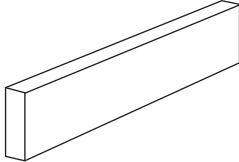
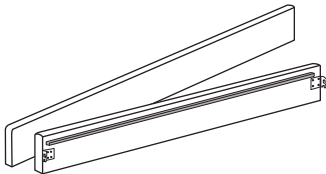
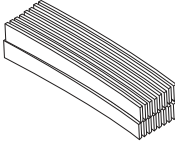
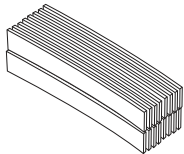
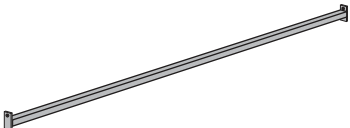
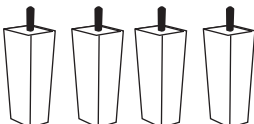
The fittings pack contains **SMALL ITEMS** which should be **KEPT AWAY FROM YOUNG CHILDREN**.

Read this leaflet in full before commencing assembly.

If you require any additional information or have any issues with this product please call the John Lewis Helpline on 01244 689949 or email mail@fwgroup-uk.com

Fittings and parts checklist

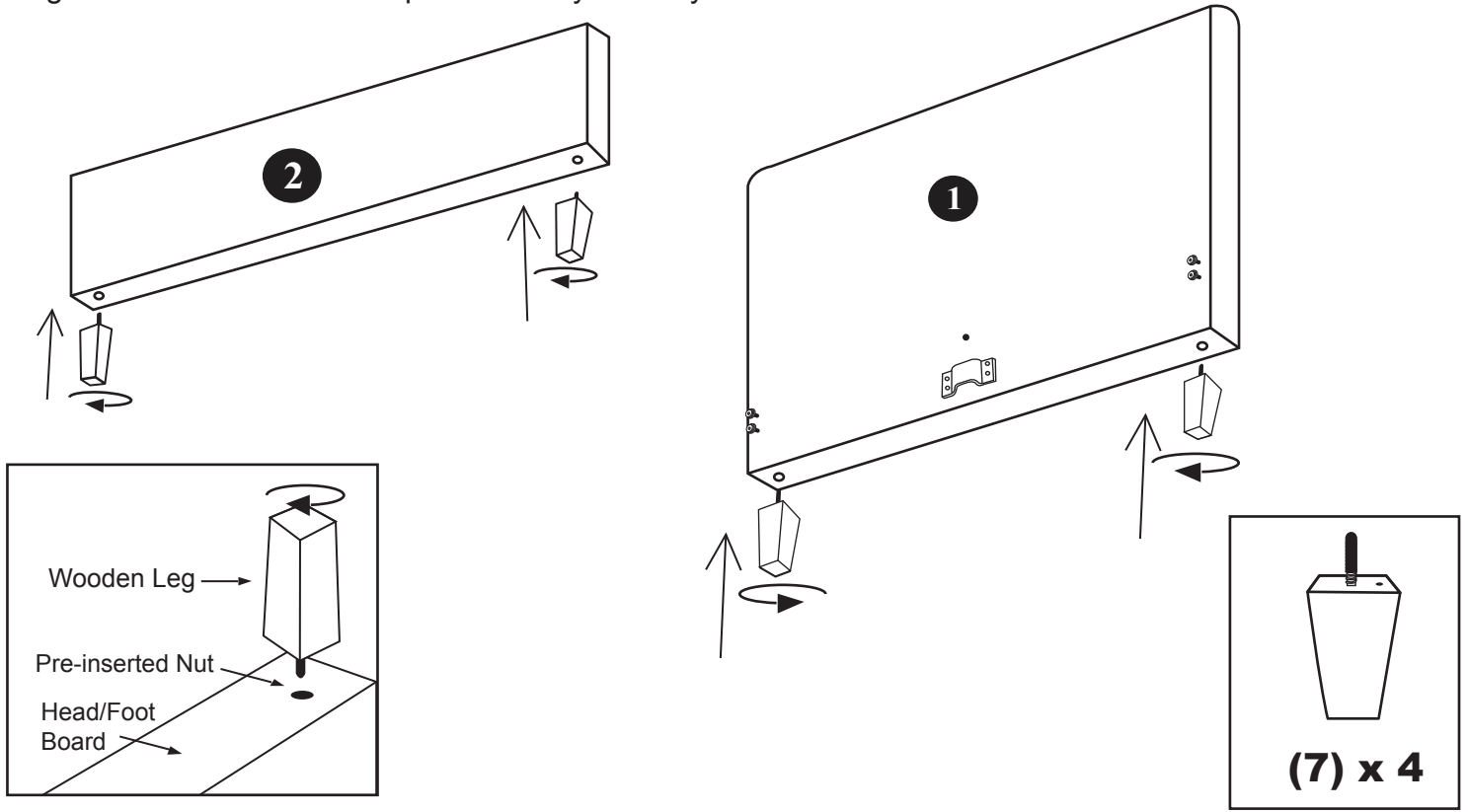
A	M4 Allen Key x 1		E		M6 X 25mm Bolt x 2
B	M5 Allen Key x 1		F		Wide Centre Caps x 8
C	Centre Plastic Caps x 7		G		Wide Side Caps x 16
D	Side Plastic Caps x 14				

1	Headboard x 1	
2	Footboard x 1	
3	Side Rails x 2	
4	Slats x 14	
5	Wide Slats x 16	
6	Centre Rail x 1	
7	Legs x 4	

Step by step assembly instructions

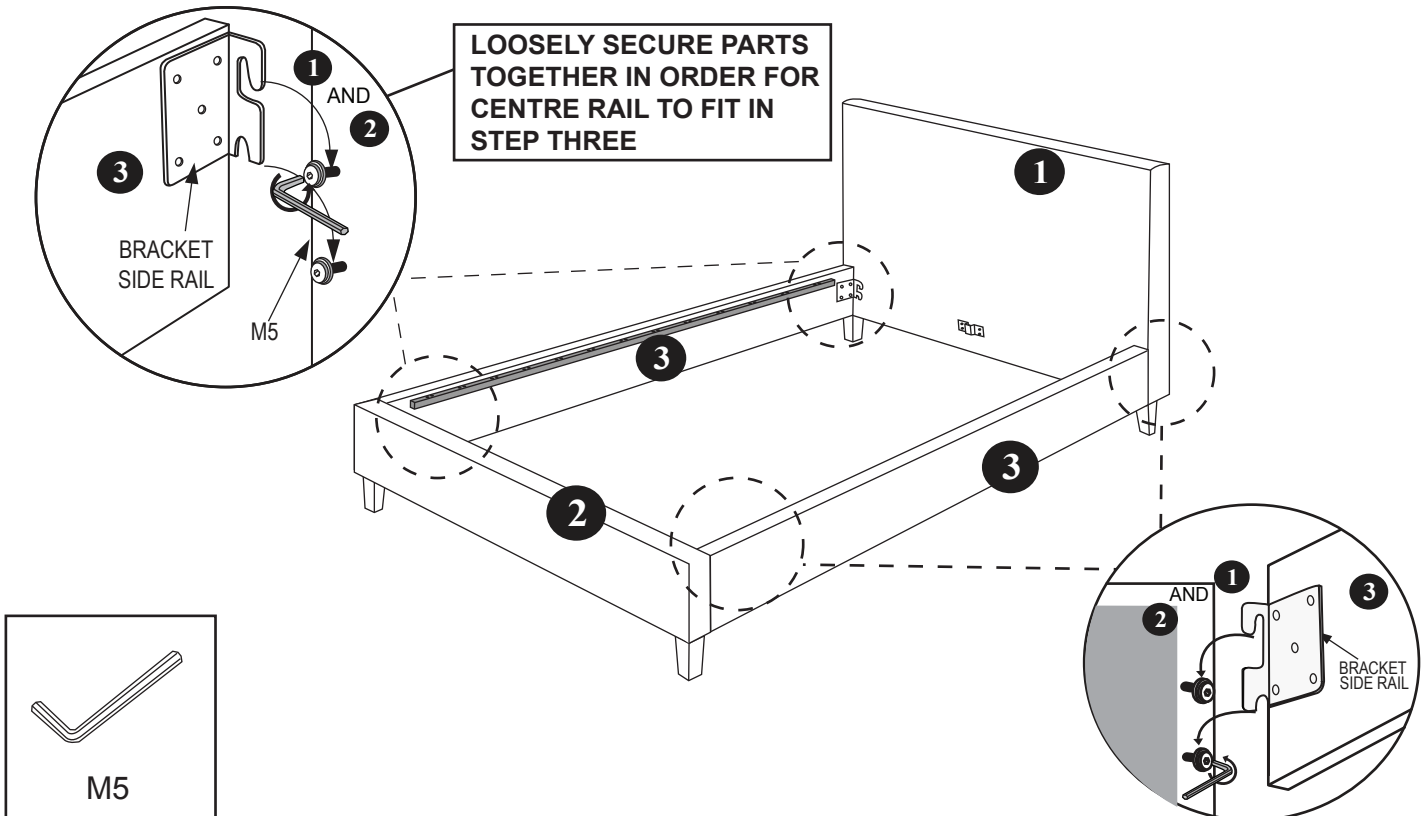
Step One

Place Wooden Legs (7) into the holes in the underside of the Headboard (1) and Footboard (2) as per diagram below and twist into place so they are fully secured.



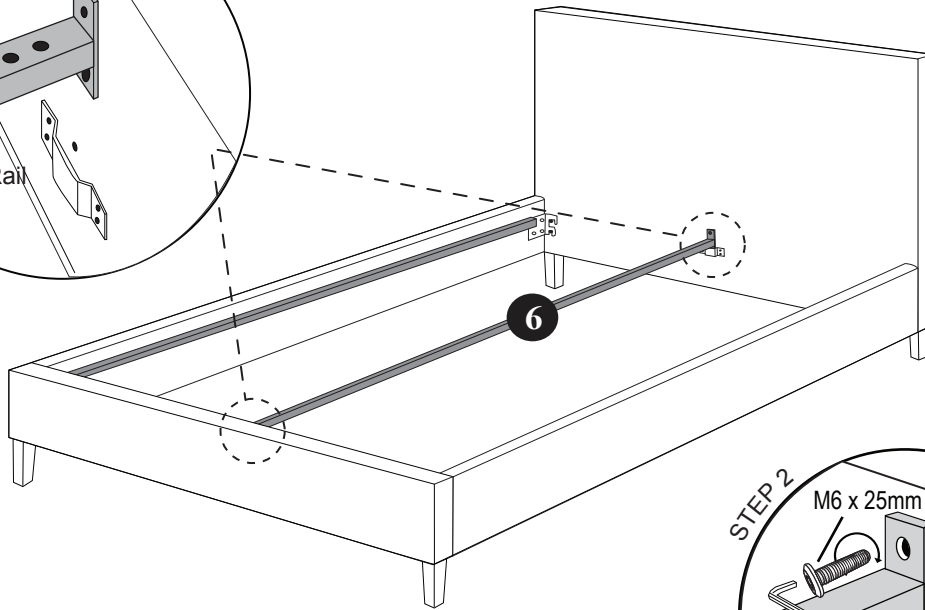
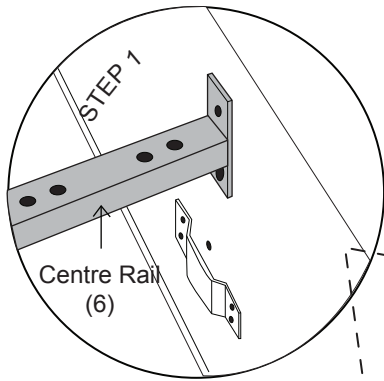
Step Two

Place Metal Brackets on Side Rails (3) over pre-inserted bolts in Headboard (1) and Footboard (2), and hand-tighten bolts to loosely secure parts together. Do not tighten with the M5 Allen Key (B) until you have inserted the Centre Rail in Step Three.

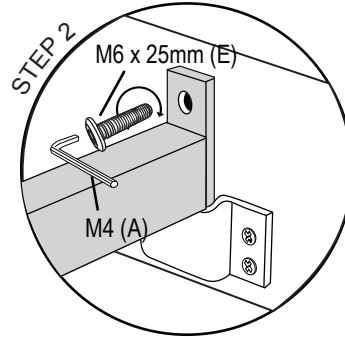
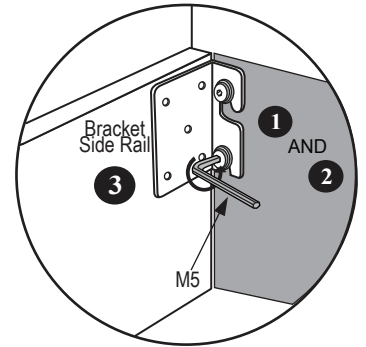


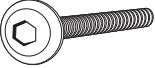


Step Three

Insert Centre Rail (6) into the brackets in the centre of the Headboard (1) and Footboard (2). Push down fully and secure in place using M6 x 25mm bolt (E). Tighten bolt with Allen Key M4 (A). You can now tighten the bolts at the Side Rails from previous step (Step Two) so all fastenings are now tightened.



**AFTER INSERTING CENTRE RAIL,
TIGHTEN ALL FIXINGS FULLY
INCLUDING BOLTS AT SIDE
RAILS (FROM STEP TWO)**

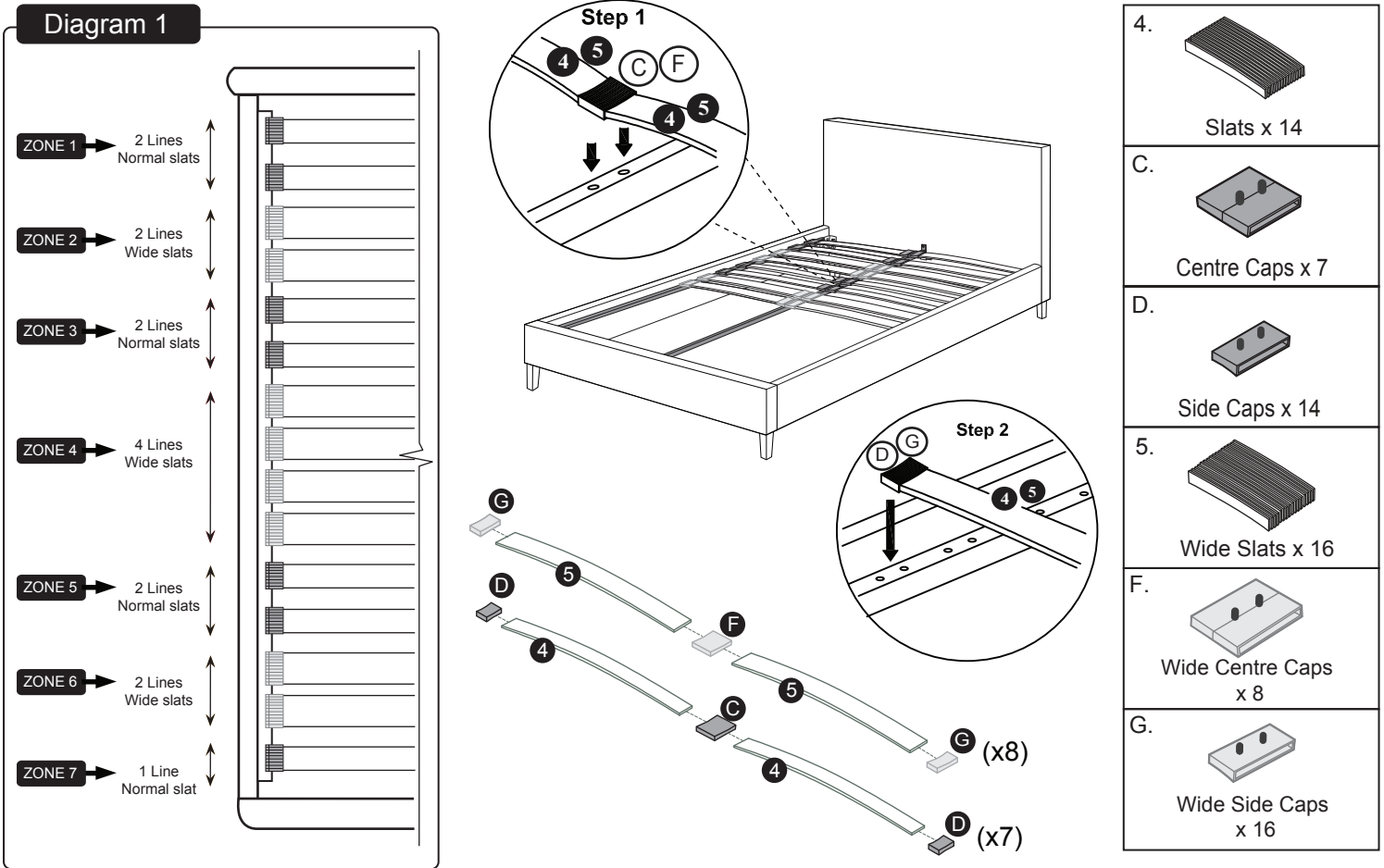


<p>E.</p>  <p>M6 x 25mm (E)</p>	<p>A.</p>  <p>M4 (A)</p>	<p>B.</p>  <p>M5</p>
-------------------------------------------------------------------------------------------------------------------	-------------------------------------------------------------------------------------------------------------	---------------------------------------------------------------------------------------------------------

Step Four

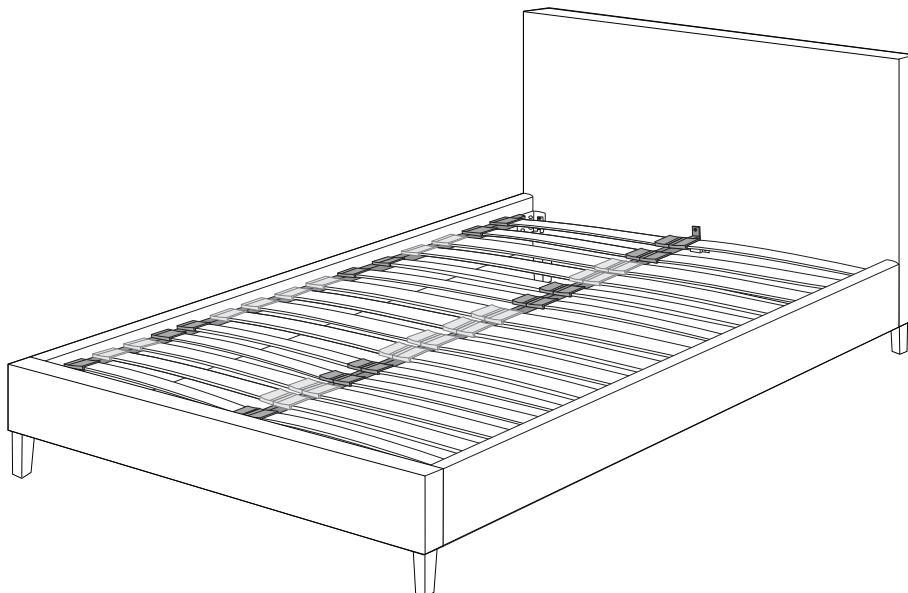
With the curved side facing upwards, insert 2 slats into a centre cap then into 2 side caps on either end(x15). (Please note the Wide Slats must be inserted with the Wide Centre Caps (F) and Wide Side Caps (G)). Repeat this process for all slats.

Note: Please see the Diagram 1 below to arrange the slat with the correct system).



Step Five

This bed is now ready to use.



Care and Maintenance

This Emily bed should be cleaned using a soft damp cloth and dried immediately. Do not use a very wet cloth or allow any liquid contact for a long period of time as this can permanently damage the surface.

Do not use detergents and do not rub as this can cause permanent damage.

Always protect your bed from direct sunlight as this may accelerate the natural on-going discolouration process.

Screws holding together the bed frame should be tightened regularly.

Please retain this information leaflet for future reference.

Safety Instructions

Never drag furniture when moving it. Always lift it.

Periodically check all fixings to ensure none have come loose and re-tighten where necessary.

Please take care when handling or moving the furniture as careless handling may cause damage or injury.

Furniture can be dangerous if incorrectly installed. Any assembly should be carried out by a competent adult.

No liability will be accepted for damage or injury caused by incorrectly installed or assembled furniture.

During assembly, children should be kept away from the product due to possible risk of injury.

Do not use this item if any components are missing or damaged.

It is recommended that care is taken when moving heavy objects to a new location to avoid personal injury or damage to the furniture. Please be careful to retain all fittings when doing this.

This product complies with BS EN 1725:1998.

If you require any additional information or have any issues with this product please call the John Lewis Helpline on 01244 689949 or email mail@fwgroup-uk.com

John Lewis Partnership 171 Victoria Street, London, SW1E 5NN.

www.johnlewis.com